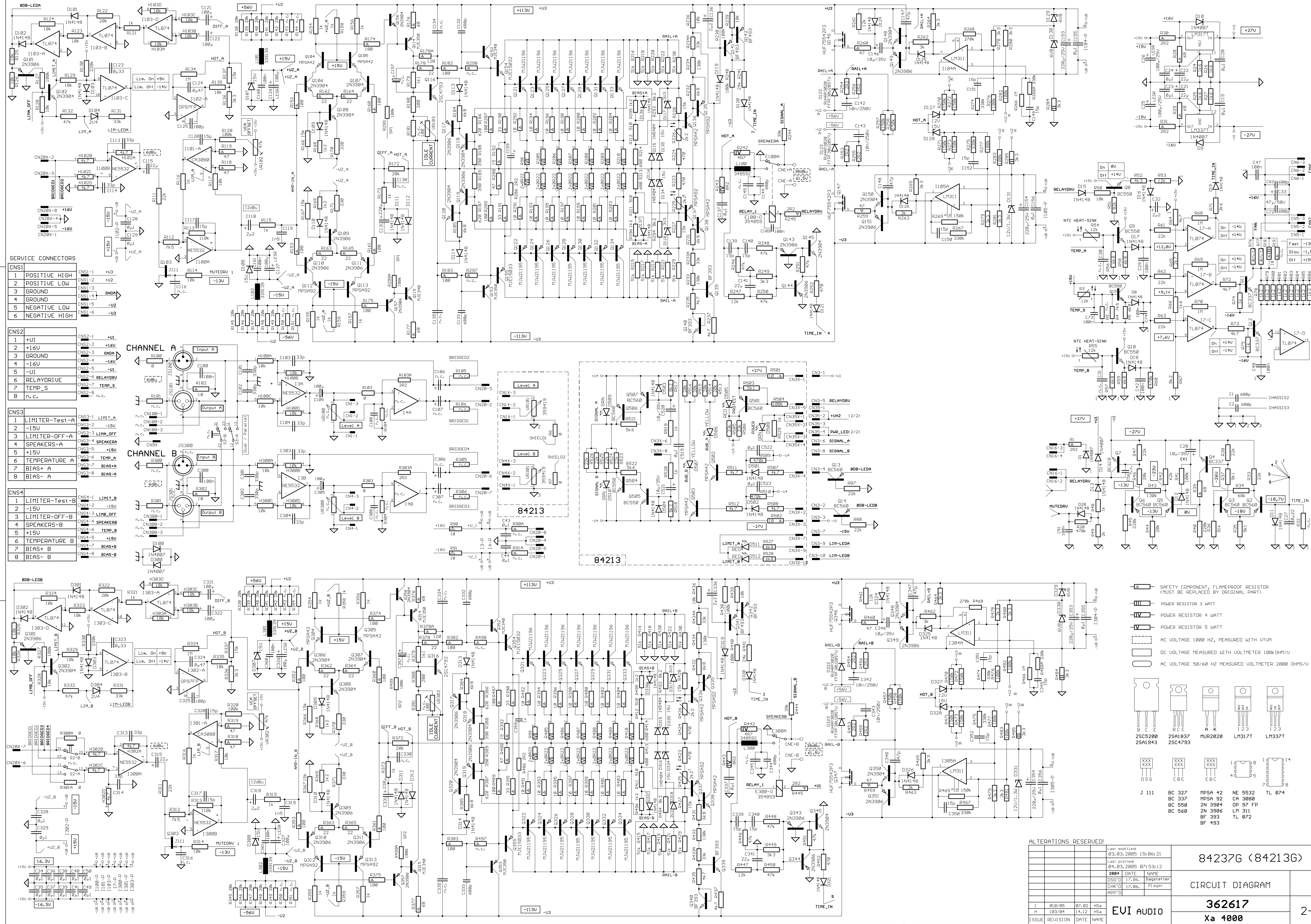


ALTERATIONS RESERVED!

				Last modified: 06.10.2004 10:22:50			80509b	
				Last plotted: 05.01.2005 15:04:53				
				2004	DATE	NAME	BLOCK DIAGRAM	
				DSG'D	09.09.	J. Plager		
				CHK'D	09.09.	J. Plager		
				APP'D				
				EVI AUDIO			362619	3-
ISSUE	REVISION	DATE	NAME				Xa 4000	



SERVICE CONNECTORS

CNS1	1 POSITIVE HIGH	CNS1-1	+U3
	2 POSITIVE LOW	CNS1-2	+U2
	3 GROUND	CNS1-3	GND
	4 GROUND	CNS1-4	GND
	5 NEGATIVE LOW	CNS1-5	-U2
	6 NEGATIVE HIGH	CNS1-6	-U3

CNS2	1 +U1	CNS2-1	+U1
	2 +16V	CNS2-2	+16V
	3 GROUND	CNS2-3	GND
	4 -16V	CNS2-4	-16V
	5 -U1	CNS2-5	-U1
	6 RELAYDRIVE	CNS2-6	RELAYDRV
	7 TEMP_S	CNS2-7	TEMP_S
	8 n.c.	CNS2-8	n.c.

CNS3	1 LIMITER-Test-A	CNS3-1	LIMIT_A
	2 -15V	CNS3-2	-15V
	3 LIMITER-OFF-A	CNS3-3	LIM_A_OFF
	4 SPEAKERS-A	CNS3-4	SPEAKERA
	5 +15V	CNS3-5	+15V
	6 TEMPERATURE A	CNS3-6	TEMP_A
	7 BIAS+ A	CNS3-7	BIAS+A
	8 BIAS- A	CNS3-8	BIAS-A

CNS4	1 LIMITER-Test-B	CNS4-1	LIMIT_B
	2 -15V	CNS4-2	-15V
	3 LIMITER-OFF-B	CNS4-3	LIM_B_OFF
	4 SPEAKERS-B	CNS4-4	SPEAKERB
	5 +15V	CNS4-5	+15V
	6 TEMPERATURE B	CNS4-6	TEMP_B
	7 BIAS+ B	CNS4-7	BIAS+B
	8 BIAS- B	CNS4-8	BIAS-B

CHANNEL A

CHANNEL B

84213

84213

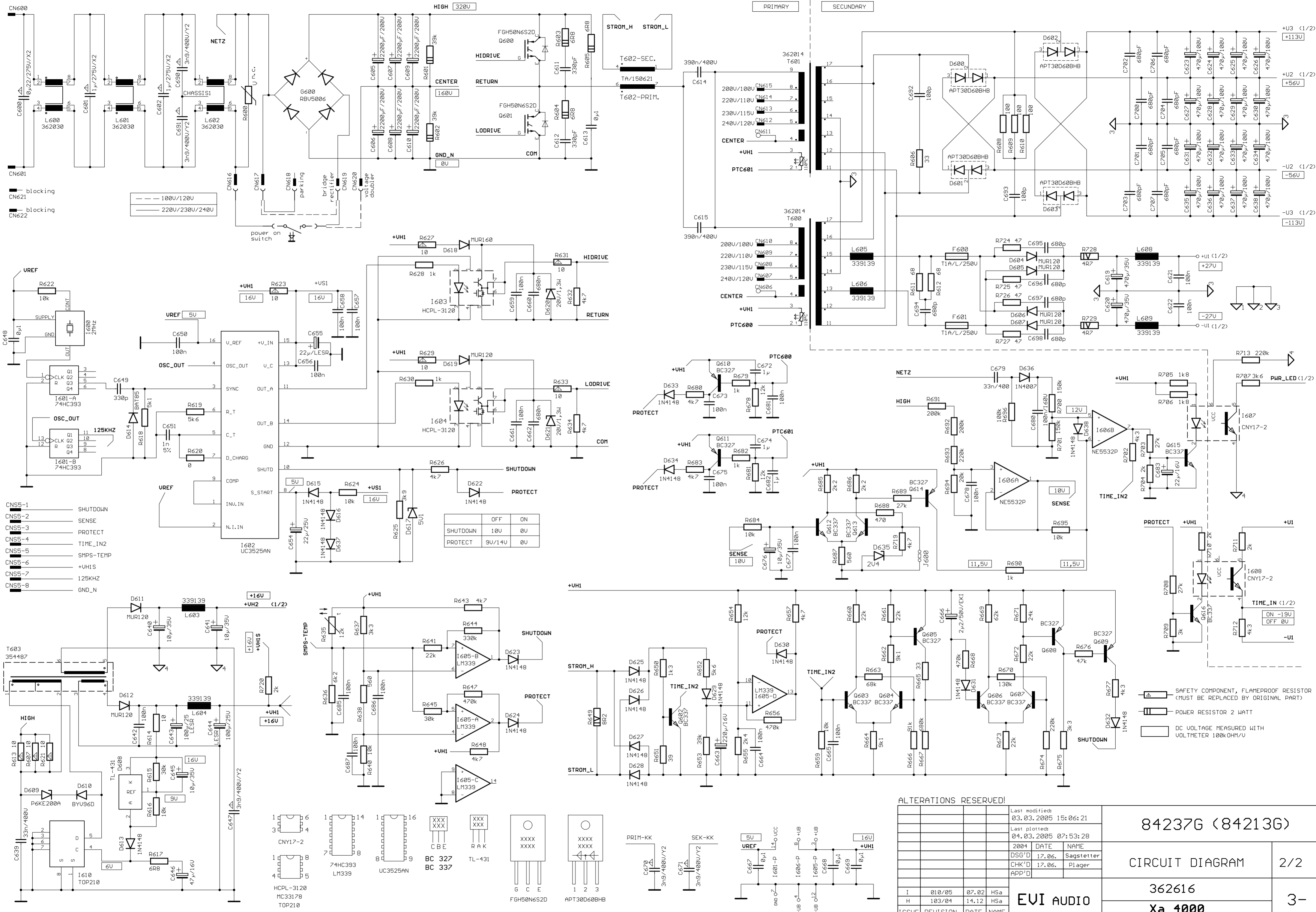
- SAFETY COMPONENT, FLAMEPROOF RESISTOR (MUST BE REPLACED BY ORIGINAL PART)
- POWER RESISTOR 3 WATT
- POWER RESISTOR 4 WATT
- POWER RESISTOR 5 WATT
- AC VOLTAGE 1000 HZ, MEASURED WITH UTU1
- DC VOLTAGE MEASURED WITH VOLTMETER 100kOHM/V
- AC VOLTAGE 50/60 HZ MEASURED VOLTMETER 2000 OHM/V

J 111	BC 327	MPS42	NE 5532	TL 074
BC 327	BC 337	MPS42	CA 3080	
BC 558	2N 3904	OP 97 FP		
BC 560	2N 3906	Sagstetter		
	BF 393	Plager		
	BF 493			

ALTERATIONS RESERVED!

I	810/95	07.02	HSA
H	103/04	14.12	HSA
ISSUE	REVISION	DATE	NAME

842376 (842136)
 CIRCUIT DIAGRAM
 362617
 Xa 4000



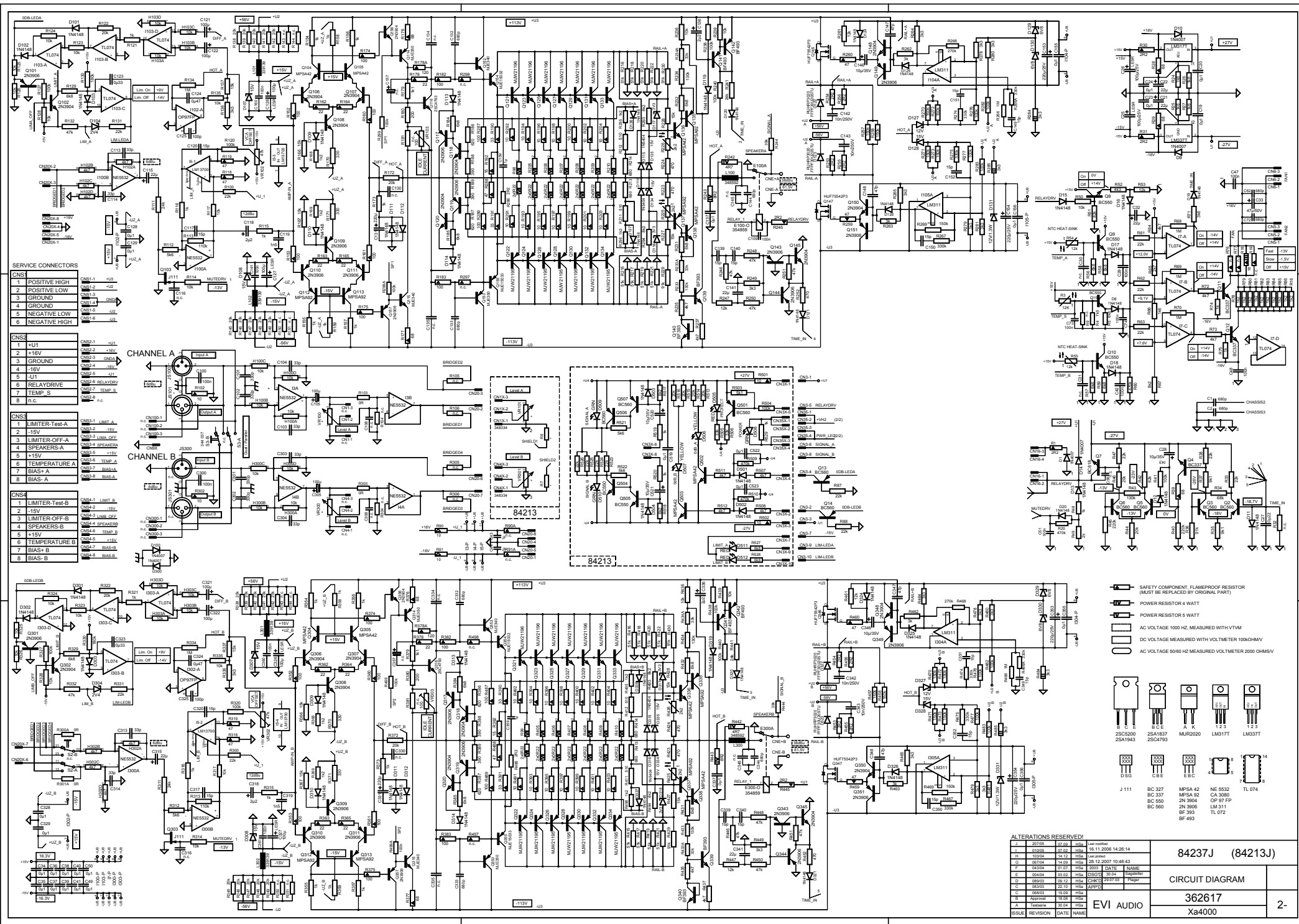
84237G (84213G)

CIRCUIT DIAGRAM 2/2

362616
Xa 4000

EVI AUDIO

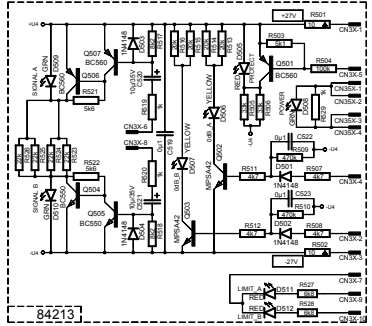
3-



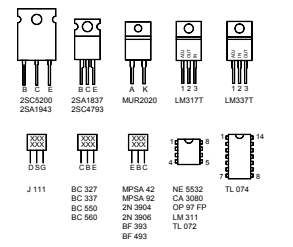
- SERVICE CONNECTORS**
- CNS1**
- 1 POSITIVE HIGH
 - 2 POSITIVE LOW
 - 3 GROUND
 - 4 GROUND
 - 5 NEGATIVE LOW
 - 6 NEGATIVE HIGH
- CNS2**
- 1 +1V
 - 2 +16V
 - 3 GROUND
 - 4 -16V
 - 5 +16V
 - 6 RELAYDRIVE
 - 7 TEMP S
 - 8 N.C.
- CNS3**
- 1 LIMITER-Test-A
 - 2 -15V
 - 3 LIMITER-OFF-A
 - 4 SPEAKERS-A
 - 5 +15V
 - 6 TEMPERATURE A
 - 7 BIAS+ A
 - 8 BIAS- A
- CNS4**
- 1 LIMITER-Test-B
 - 2 -15V
 - 3 LIMITER-OFF-B
 - 4 SPEAKERS-B
 - 5 +15V
 - 6 TEMPERATURE B
 - 7 BIAS+ B
 - 8 BIAS- B

CHANNEL A

CHANNEL B



- SAFETY COMPONENT: FLAMEPROOF RESISTOR (MUST BE REPLACED BY ORIGINAL PART)
- POWER RESISTOR 4 WATT
- POWER RESISTOR 5 WATT
- AC VOLTAGE 1000 HZ MEASURED WITH VTVM
- DC VOLTAGE MEASURED WITH VOLTMETER 1000OHM/V
- AC VOLTAGE 50/60 HZ MEASURED VOLTMETER 2000 OHM/V



ALTERATIONS RESERVED!

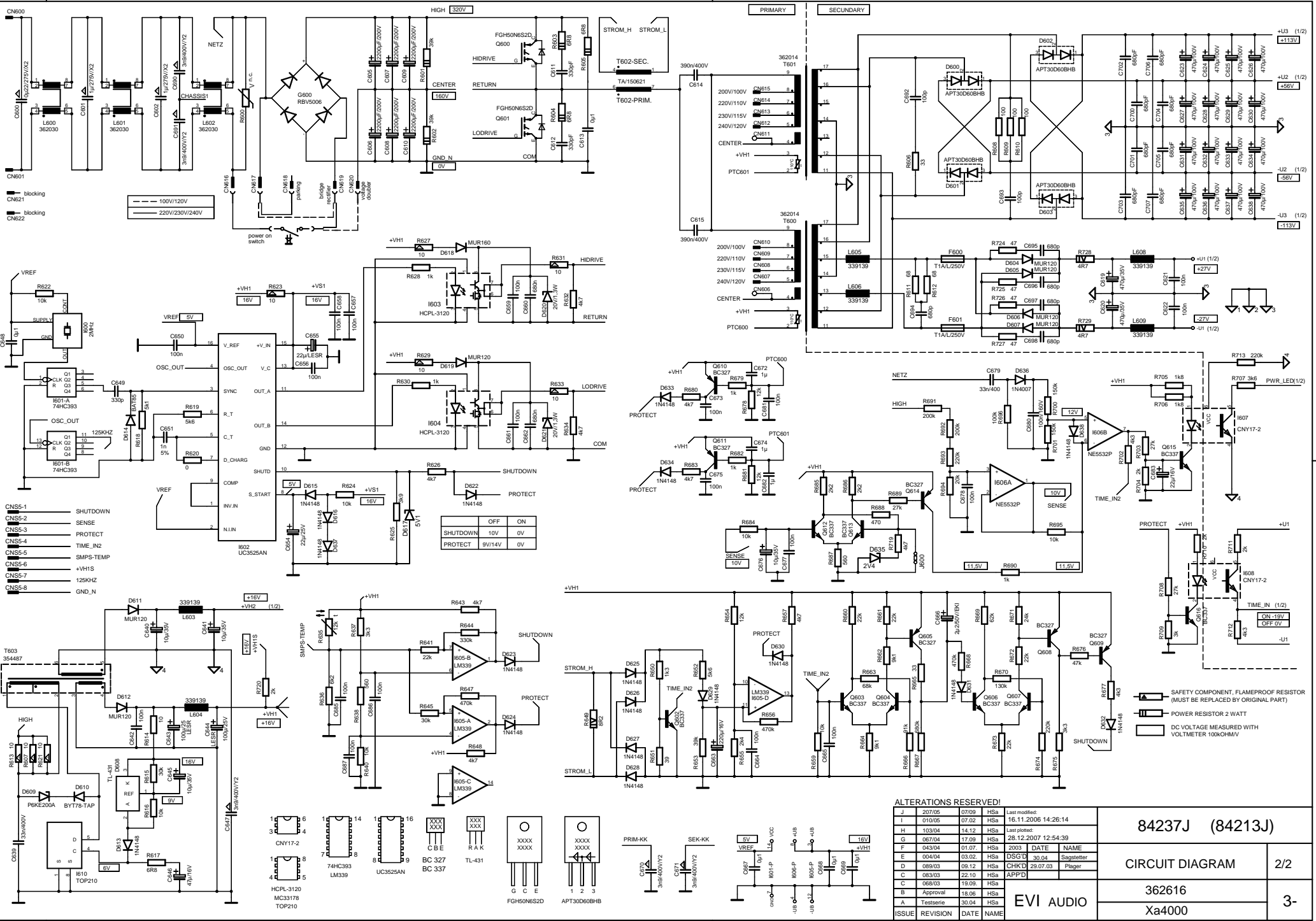
REV	DATE	NAME	REV	DATE	NAME
1	200705	02/02	1	16.11.2008	14.26.14
2	200705	02/02	2	200705	14.26.14
3	200705	02/02	3	200705	14.26.14
4	200704	14/02	4	28.12.2007	10/48-43
5	200703	02/01	5	200703	02/01
6	200703	02/01	6	200703	02/01
7	200703	02/01	7	200703	02/01
8	200703	02/01	8	200703	02/01
9	200703	02/01	9	200703	02/01
10	200703	02/01	10	200703	02/01

84237J (84213J)

CIRCUIT DIAGRAM

362617

Xa4000



CN601 blocking
 CN621 blocking
 CN622 blocking

--- 100V/120V
 --- 220V/230V/240V

- CNS5-1 SHUTDOWN
- CNS5-2 SENSE
- CNS5-3 PROTECT
- CNS5-4 TIME_IN2
- CNS5-5 SMP5-TEMP
- CNS5-6 +VH1S
- CNS5-7 125KHZ
- CNS5-8 GND_N

SHUTDOWN OFF ON
 10V 0V
 PROTECT 9V/14V 0V

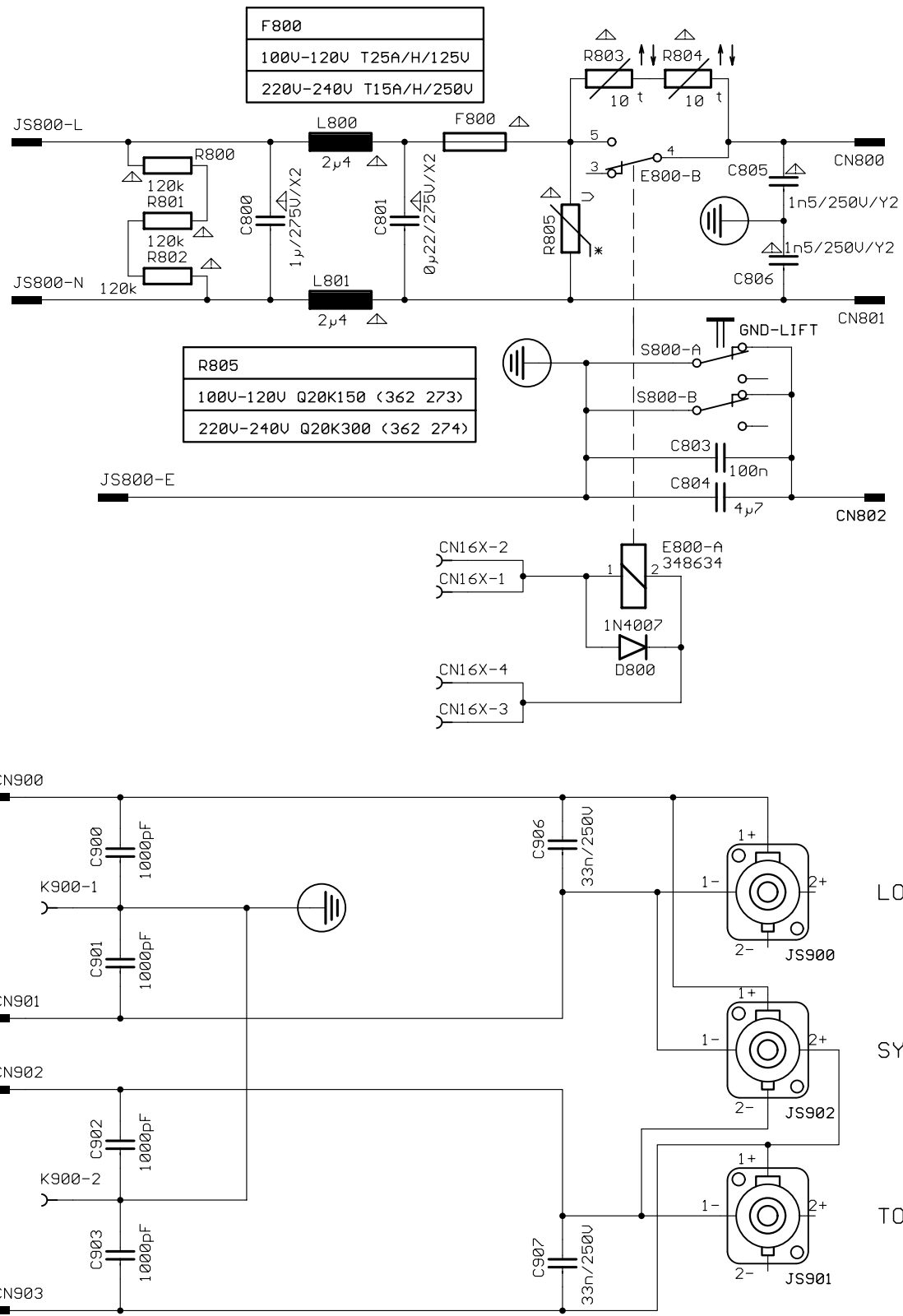
SAFETY COMPONENT, FLAMEPROOF RESISTOR
 (MUST BE REPLACED BY ORIGINAL PART)
 POWER RESISTOR 2 WATT
 DC VOLTAGE MEASURED WITH
 VOLTMETER 100KOHM/V

ALTERATIONS RESERVED!

J	207/05	07/09	HsA	Last modified:
I	01/05	07/02	HsA	16.11.2006 14:26:14
H	10/04	14.12	HsA	Last plotted:
G	08/7/04	17.09	HsA	28.12.2007 12:54:39
F	04/03/04	01.07	HsA	2003 DATE NAME
E	04/04/04	03.02	HsA	DS/GC 30.04 Sagstetter
D	08/03/03	08.12	HsA	CH/KD 29.07.03 Pflager
C	08/03/03	22.10	HsA	APP/D
C	08/03/03	19.09	HsA	
B	Approval	18.06	HsA	
A	Testseries	30.04	HsA	
ISSUE	REVISION	DATE	NAME	

84237J (84213J)
 CIRCUIT DIAGRAM 2/2
 362616
 Xa4000 3-

EVI AUDIO



F800
100V-120V T25A/H/125V
220V-240V T15A/H/250V

R805
100V-120V Q20K150 (362 273)
220V-240V Q20K300 (362 274)

ALTERATIONS RESERVED!

				Last modified: 11.01.2005 08:27:44
				Last plotted: 11.01.2005 13:28:17
			DATE	NAME
			DSG'D	03.03 Sagstetter
			CHK'D	28.07.03 Plager
			APP'D	
			EVI AUDIO	
ISSUE	REVISION	DATE	NAME	

86292A		(862928 100V-120V)
		(862938 220V-240V)
CIRCUIT DIAGRAM		
362618		4-
Xa 4000		