

EGOTERIC



SERVICE MANUAL

X-01

SUPER AUDIO CD PLAYER



For U.S.A.

CONTENTS

1 SPECIFICATIONS	2
2 ADJUSTMENTS	3
3 EXPLODED VIEWS AND PARTS LIST	4
4 PC BOARDS AND PARTS LIST	10
5 INCLUDED ACCESSORIES	22

NOTES

- PC boards shown are viewed from parts side.
- The parts with no reference number or no parts number in the exploded views are not supplied.
- As regards the resistors and capacitors, refer to the circuit diagrams contained in this manual.
- \triangle Parts marked with this sign are safety critical components. They must be replaced with identical components - refer to the appropriate parts list and ensure exact replacement.

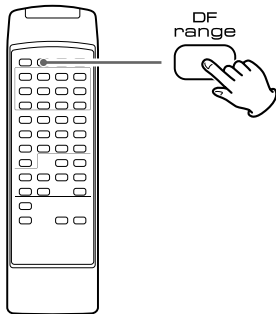
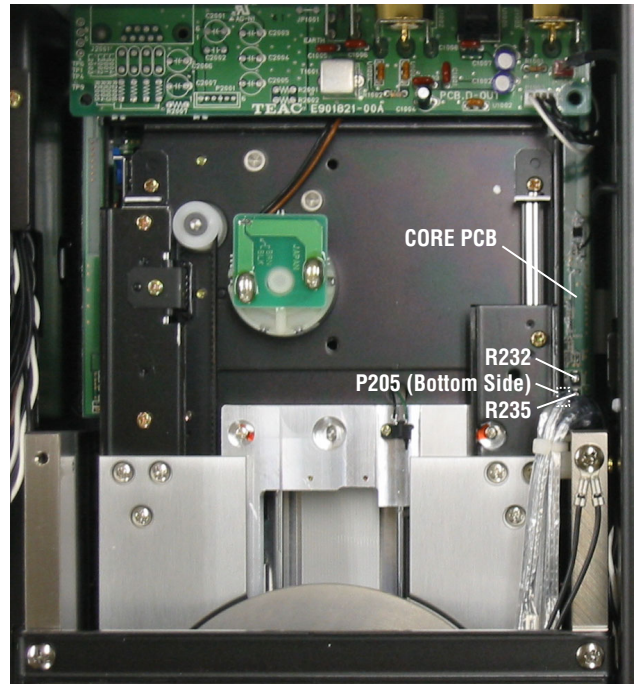
2 ADJUSTMENTS

2-1 Sled Offset Adjustment

1. Connect the probe of oscilloscope to pin 1 (SLCNT) of P205 on CORE PCB, and the probe earth to pin 2 (SL18V).
2. Set the oscilloscope's voltage range to DC100mV, and the time calibration to 10mS.
3. Adjust potentiometer R232 for a potential difference of 0V between pins 1 and 2.

2-2 Sled Gain Adjustment

1. Connect the probe of oscilloscope to pin 3 (H10OUT) of P205 on CORE PCB, and the probe earth to pin 2 (SL18V).
2. Set the oscilloscope's voltage range to AC200mV, and the time calibration to 10mS.
3. Press the DF range button on RC-668 (P/No. E00380000A), a remote controller for VRDS-8, to activate the sled, and adjust potentiometer R235 for a sine wave output of 1Vp-p at pin 3. Pressing the DF range button again brings the unit back to the normal mode.



SAFETY INFORMATION

This product has been designed and manufactured according to FDA regulations "title 21, CFR, chapter 1, subchapter J, based on the Radiation Control for Health and Safety Act of 1968", and is classified as a class 1 laser product. There is no hazardous invisible laser radiation during operation because invisible laser radiation emitted inside of this product is completely confined in the protective housings. The label required in this regulation is shown ①.

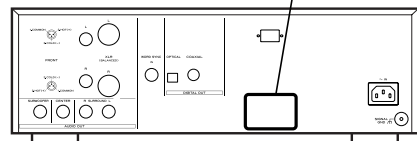
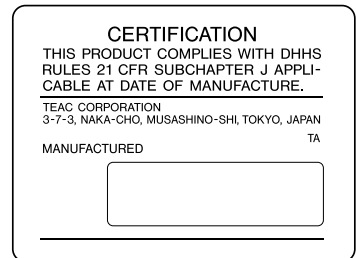
● CAUTION

USE OF CONTROLS OR ADJUSTMENT OR PERFORMANCE OF PROCEDURES OTHER THAN THOSE SPECIFIED HEREIN MAY RESULT IN HAZARDOUS RADIATION EXPOSURE.

Optical pickup:

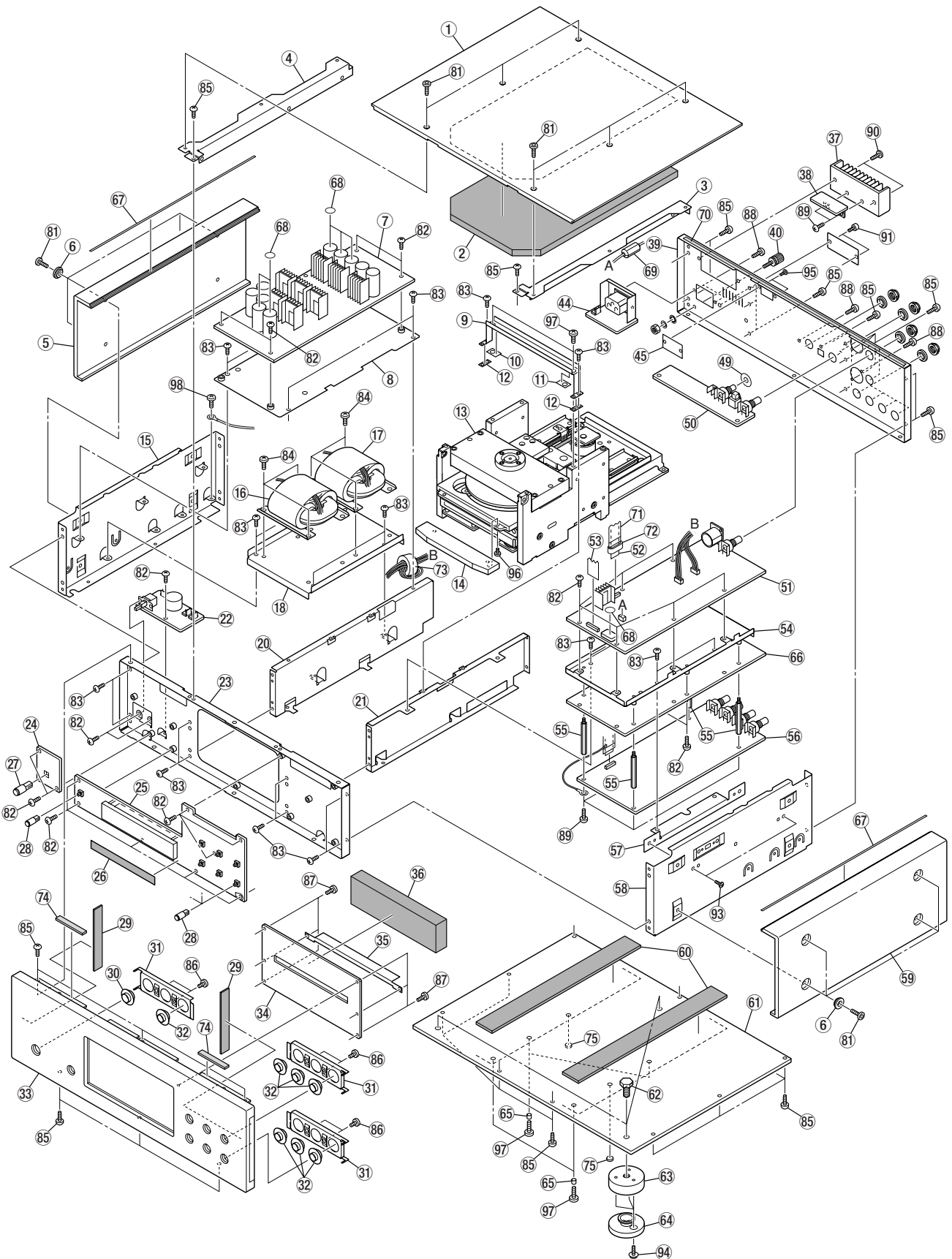
Type	: GH20707A2A
Manufacturer	: SHARP CORPORATION
Laser output	: Less than 1mW on the objective lens
Wavelength	: 788±5 nm (CD)

① For U.S.A.



3 EXPLODED VIEWS AND PARTS LIST

EXPLODED VIEW-1



EXPLODED VIEW-1

REF. NO.	PARTS NO.	DESCRIPTION	REMARKS
1- 1	M01724000A	TOP PANEL, X-01	
1- 2	M01777500A	CUSHION, FOAM TOP	
1- 3	M01766810A	FRAME, TOP R EXP	
1- 4	M01766710A	FRAME, TOP L EXP	
1- 5	M01648100B	SIDE PANEL, L	
1- 6	M00387502A	COLLAR, SCREW (N01SP)	
1- 7	E95182300A	PCB ASSY, POWER	
1- 8	M01724500A	PLATE, PCB PWR	
1- 9	M01766900A	BRACKET, MECHA	
1-10	M01839400A	POLYEST SH, MECHA T0. 25	
1-11	M01839500A	POLYEST SH, MECHA T0. 35	
1-12	M01782900A	RUBBER SH, BRACKET	
1-13	M01719000A	MECH ASSY, UNIT	
1-14	M01712700A	PANEL, TRAY X-01	
1-15	M00389310B	CHASSIS, SIDE L EXP	
1-16	△ E00857220A	TRANS, ANALOG T/C	
1-17	△ E00857120A	TRANS, DIGITAL T/C	
1-18	M01724400A	CHASSIS, TRANS	
1-20	M01724210A	FRAME, L EXP	
1-21	M01724310A	FRAME, R EXP	
1-22	E95182500A	PCB ASSY, PSW	
1-23	M01724110A	CHASSIS, FRONT EXP	
1-24	E95182000A	PCB ASSY, PWRLD	
1-25	E95181900A	PCB ASSY, FRONT	
1-26	M01838900B	RUBBER SH, PORON T5 135X15	
1-27	M01723600A	BUTTON, D10	
1-28	M01723500A	BUTTON, D8	
1-29	M01717600B	CUSHION, PORON T3 105X12	
1-30	M01723800A	LENS, D10	
1-31	M01723900A	BRACKET, LENS	
1-32	M01723700A	LENS, D8	
1-33	M01722700A	FRONT PNL ASSY, X-01	
1-34	M01723300B	WINDOW, FRONT	
1-35	M01723400A	PLATE, BLIND	
1-36	M01777600A	CUSHION, FOAM FRONT	
1-37	M01480700A	HEATSINK	
1-38	E95182400A	PCB ASSY, REG	
1-39	M01723120A	REAR PANEL, T/C	
1-40	E00768700A	TERMINAL, GND D12	
1-44	E95182600A	PCB ASSY, INLET	
1-45	M01781200A	COVER, PLATE REAR	
1-49	M01259600A	POLYEST WSHR, 10. 5X20X0. 2T	
1-50	E95182100A	PCB ASSY, D-OUT	
1-51	E95181100A	PCB ASSY, DAC 2CH A-L	
1-52	E00862300A	FLAT CABLE, DAC2-DAC4	
1-53	E00862100A	FLAT CABLE, CORE-DAC2	
1-54	M01480201A	BRACKET, PCB	
1-55	16359645	SPCR, SQ-50	
1-56	E95191800A	PCB ASSY, DAC 4CH A	
1-57	M01724700A	BRACKET, SIDE	
1-58	M00389410A	CHASSIS, SIDE R EXP	
1-59	M01648200B	SIDE PANEL, R	
1-60	M01781100B	RUBBER SH, BOTTOM	
1-61	M01724600A	PLATE, BOTTOM	
1-62	M01494802A	FOOT(A) HEX 15	

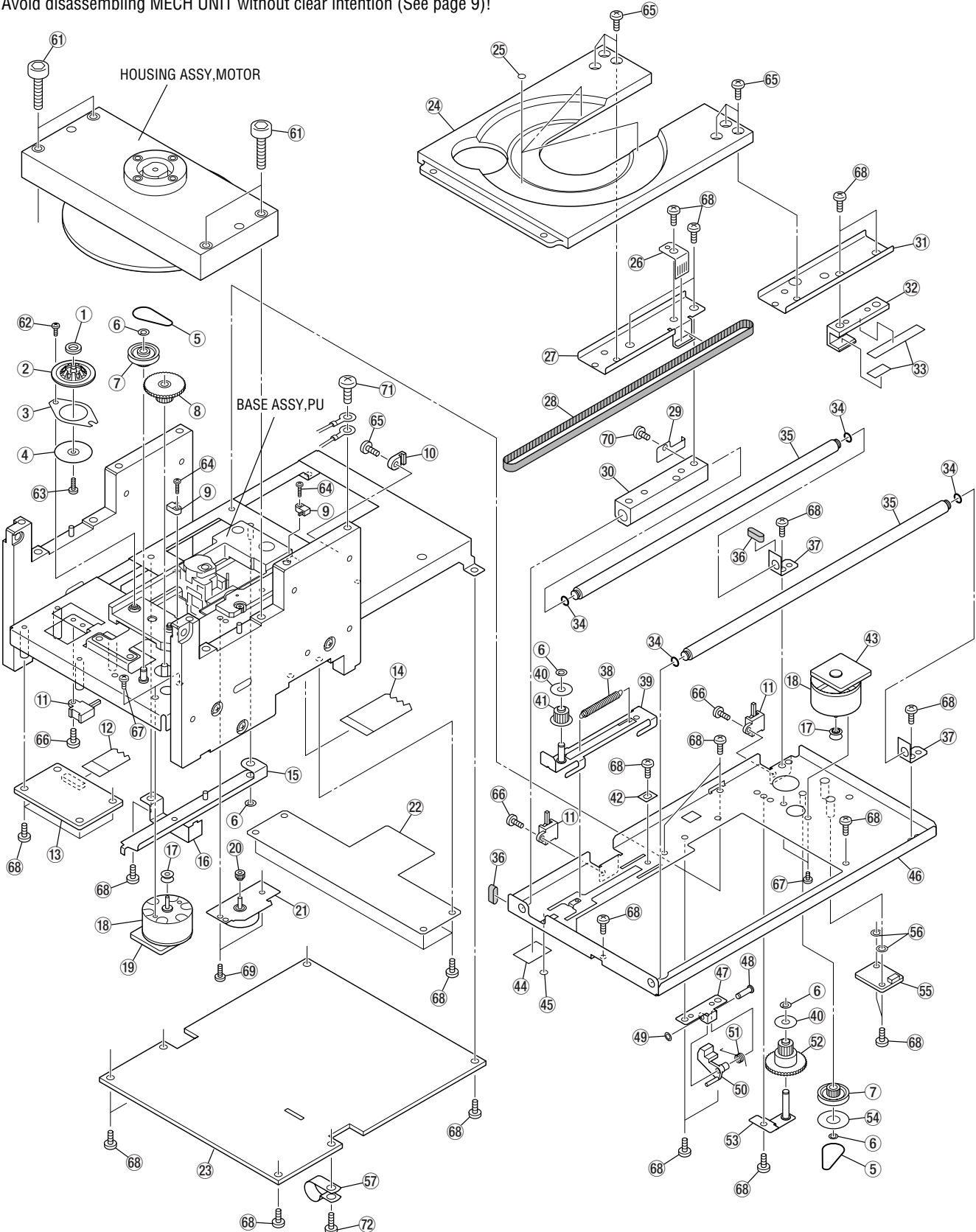
EXPLODED VIEW-1

REF. NO.	PARTS NO.	DESCRIPTION	REMARKS
1-63	M01495001A	STAND, FOOT 13	
1-64	M01494901A	FOOT(B) 11	
1-65	M01839300B	SPACER, ZNC M4X4	
1-66	E95181200A	PCB ASSY, DAC 2CH A-R	
1-67	M01939700A	GASKET, E02F4T/3X310	
1-68	M01571300A	SHEET, SHIELD(CU)-10	
1-69	E0096620	CORE, E04SR130525AB BLACK	
1-70	M01939800A	GASKET, E02F4T/5X420	
1-71	M01937300A	SHRINK SHIELD, 20X180	
1-72	E0096950	CORE, E04FG221308	
1-73	E0081410	CORE, E04RC281613	
1-74	M01939600A	GASKET, E02S080030ET/50MM	
1-75	M01847300A	RUBBER SH, D9XT2 PORON	
1-81	5801532510	SCREW, HEXAGON 3X8SILVER	
1-82	B00132900A	SCREW, VPC 3X6FZC	
1-83	B00132600A	SCREW, VPB 3X8FZC	
1-84	B0010020	SCREW, PPSU 4X8FNB	
1-85	B00090900A	SCREW, VPBR 3X8FNB	
1-86	5780003004	SCREW, BPA 3X4FZC	
1-87	5780003006	SCREW, BPA 3X6FZC	
1-88	5783613008	SCREW, VPCR 3X8NB	
1-89	B00132901A	SCREW, VPC 3X8FZC	
1-90	5780122610	SCREW, PAN M2. 6X10NB	
1-91	5781702606	SCREW, HEXAGON M2. 6X6 (NI)	
1-93	5801148000	SCREW, BIND M3X4 (BLK)	
1-94	5783113006	SCREW, ZPAT 3X6NB	
1-95	5780012004	SCREW, BPA M2X4FNI	
1-96	5780013003	SCREW, BPA 3X3FNI	
1-97	5780024008	SCREW, BPA 4X8FNB	
1-98	B00197708A	SCREW, PPSU 4X8FZB G	

EXPLODED VIEW-2

CAUTION

Avoid disassembling MECH UNIT without clear intention (See page 9)!



EXPLODED VIEW-2

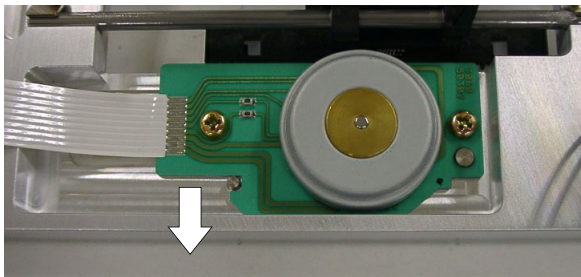
REF. NO.	PARTS NO.	DESCRIPTION	REMARKS
2- 1	M01717900A	MAGNET, CLAMPER	
2- 2	M01717800A	CLAMPER, DISC	
2- 3	M01716900A	HOLDER, CLAMPER	
2- 4	M01716800A	PLATE, CLAMPER	
2- 5	5800979500	LOADING BELT	
2- 6	M01771500A	WASHER, 3. 6X7. 2X0. 5T CUT	
2- 7	M01711300A	GEAR (B)	
2- 8	M00350500A	GEAR (A)	
2- 9	5300060100	SW, PUSH SPPB12	
2-10	M0181760	CABLE CLAMP, TIEMOUNT MB1	
2-11	E0038180	SW, 1-2 N SSCF21R-1	
2-12	E00859900A	FLAT CABLE, FFC SW	
2-13	E95180500A	PCB ASSY, SW-JOINT	
2-14	E00859700A	FLAT CABLE, FFC PU	
2-15	M01767500A	LEVER, RELEASE	
2-16	M01767600A	LIMITER, LEVER	
2-17	5800979201	MOTOR PULLEY	
2-18	5370009200	DC MOTOR, RF-500TB	
2-19	E95180700A	PCB ASSY, C-MOTOR	
2-20	M00883900A	GEAR, SLED A	
2-21	M00895910A	SLED MOT ASSY, SA	
2-22	M01767800A	PLATE, FFC	
2-23	E00922700A	PCB ASSY, CORE A-ID	
2-24	M01711000A	TRAY, UX1	
2-25	M01821700B	CUSHION, TRAY	
2-26	M01710300A	HOLDER, BELT	
2-27	M01709700A	PLATE, TRAY L	
2-28	M0172140	TIMING BELT, B222MXL6. 4	
2-29	M01709900A	PLATE, PUSH SW	
2-30	M01710400A	HOLDER, BEARING L	
2-31	M01709800A	PLATE, TRAY R	
2-32	M01710500A	HOLDER, BEARING R	
2-33	M01710900A	SHEET, BEARING	
2-34	16362530	ORING (P3)	
2-35	M01710600A	SHAFT, TRAY	
2-36	5801132601	CUSH	
2-37	M01710000A	HOLDER, SHAFT	
2-38	M01711100A	TNSN SPRING, PULLEY	
2-39	M01709600A	PLATE, PULLEY (B)	
2-40	M01711500A	FLANGE (A)	
2-41	M01711400A	PULLEY (B)	
2-42	M01710100A	PLATE, STOPPER BELT	
2-43	E95180600A	PCB ASSY, T-MOTOR	
2-44	M01781400B	SHEET, CUSHION EPT	
2-45	M01821900A	SPACER, CHAS TRAY	
2-46	M01709400B	CHASSIS, TRAY	
2-47	M01759600A	HOLDER, LOCK	
2-48	M01759800A	SHAFT, LOCK	
2-49	5785342400	WASHER, 2. 1X5X0. 25 CUT	
2-50	M01759500A	LEVER, LOCK	
2-51	M01759700A	TRSN SPRING, LOCK	
2-52	M01711200A	PULLEY (A)	
2-53	M01710200A	HOLDER, PULLEY (A)	
2-54	M01710800A	SHEET, PHOTO INT	
2-55	E95180800A	PCB ASSY, PHOTO INT	

EXPLODED VIEW-2

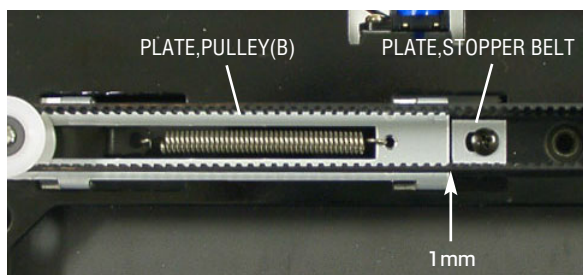
REF. NO.	PARTS NO.	DESCRIPTION	REMARKS
2-56	5785304100	WASHER, POLY 4.1X6.5X0.25T	
2-57	M0187931	CABLE CLAMP, NYLON AB-5N	
2-61	B00145800A	SCREW, JHA 4X20FZC	
2-62	B00053800A	SCREW, MPAR 2X3FN1	
2-63	B0006360	SCREW, MPPR 1.7X5.0	
2-64	5780102008	SCREW, PAN M2X8	
2-65	5780013006	SCREW, BPA 3X6FN1	
2-66	5780102604	SCREW, PAN M2.6X4	
2-67	5780002603	SCREW, BPA 2.6X3FZC	
2-68	5780103004	SCREW, PAN M3X4	
2-69	5780102606	SCREW, PAN M2.6X6	
2-70	5780103003	SCREW, PAN M3X3	
2-71	5780024008	SCREW, BPA 4X8FNB	
2-72	5780023008	SCREW, BPA 3X8FNB	

Cautions about Disassembly and Mounting

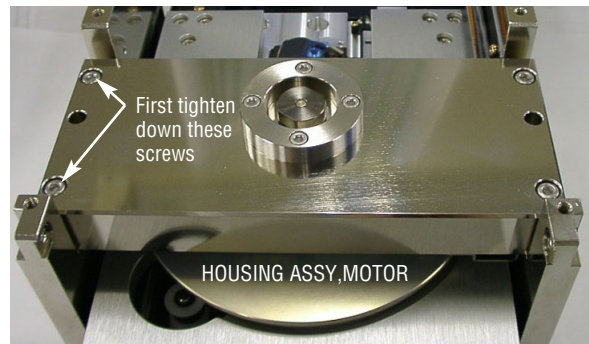
- After joining CLAMPER MAGNET ① and DISC CLAMPER ② with adhesive, ThreeBond 1359D, harden forced out surplus adhesive with UV irradiation.
- Avoid applying a strong pushing force to the PU BASE ASSY when removing/installing the PUSH SW ⑨.
- When fastening the SA SLED MOT ASSY ⑳, push it against the locating pin.



- Fasten the STOPPER BELT PLATE ④② so that there is a clearance of 1 mm between it and PULLEY (B) PLATE ③⑨.



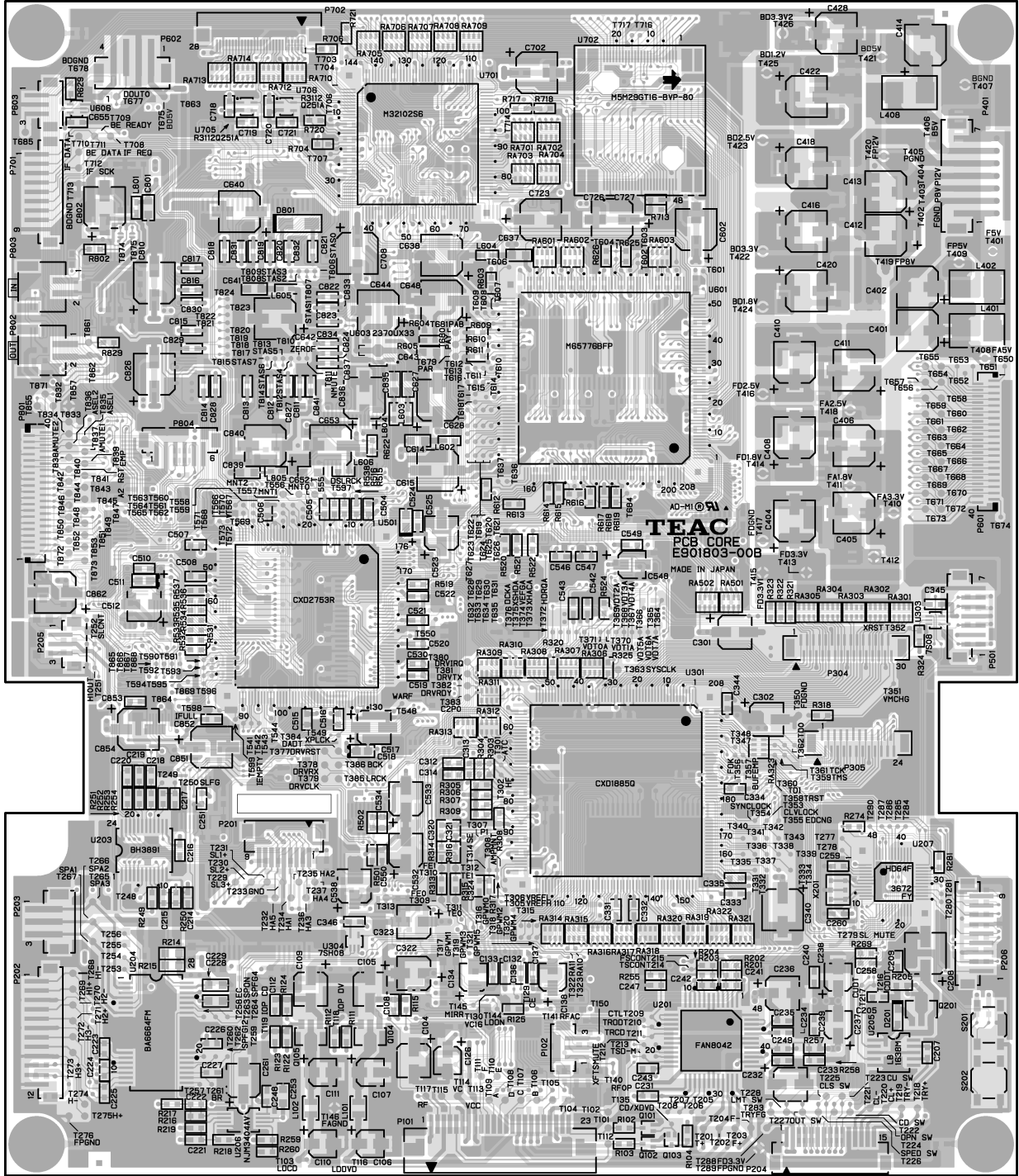
- For the MOTOR HOUSING ASSY, first fully tighten down the screws on the left end viewed from the front.



- Avoid disassembling parts that are not "exploded" in the diagram (such as PU BASE ASSY, MOTOR HOUSING ASSY). Dedicated tools are required to assemble them. When those parts are needed to replace, the MECH UNIT itself should be replaced.

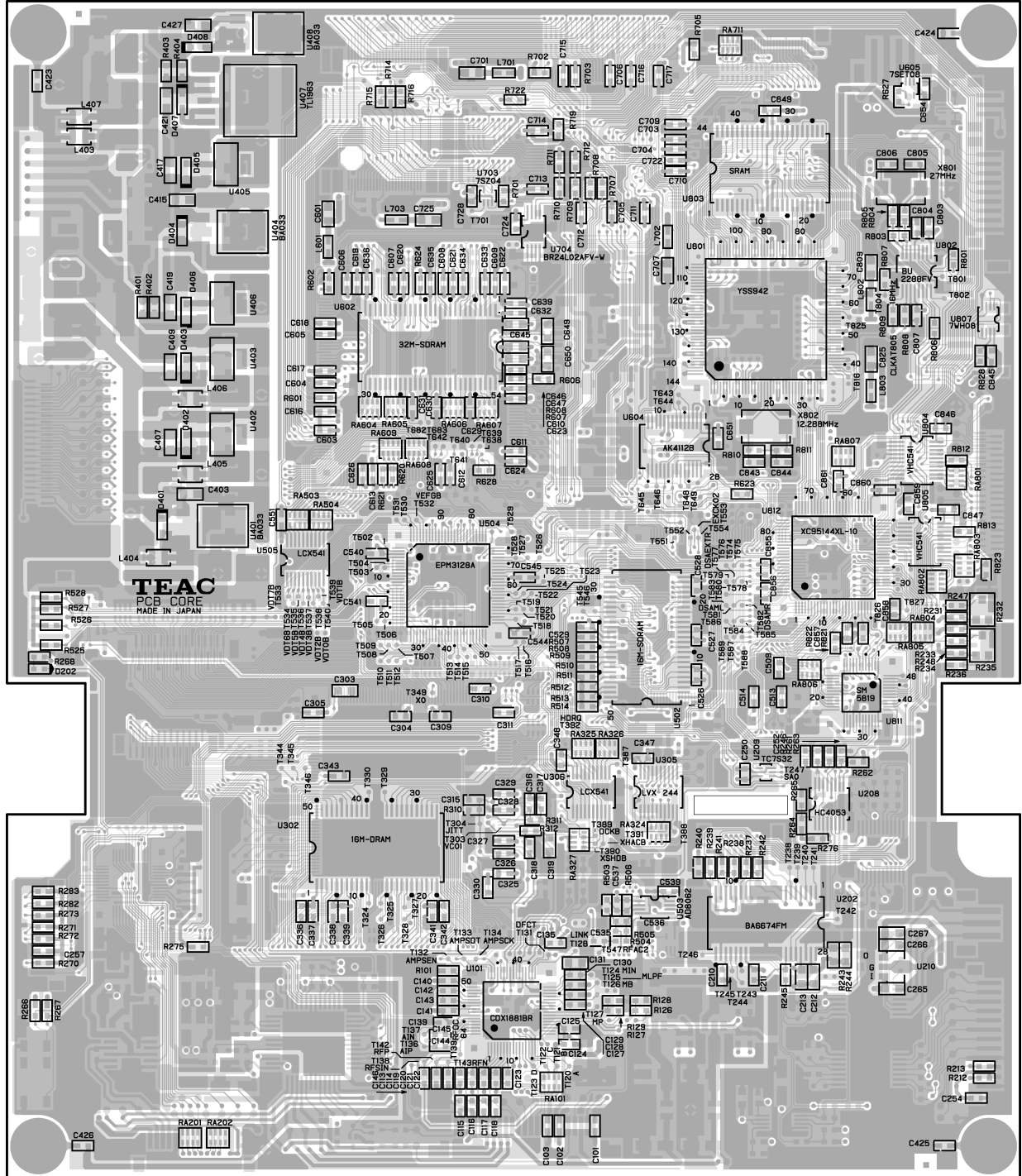
4 PC BOARDS AND PARTS LIST

CORE PCB (SIDE A)



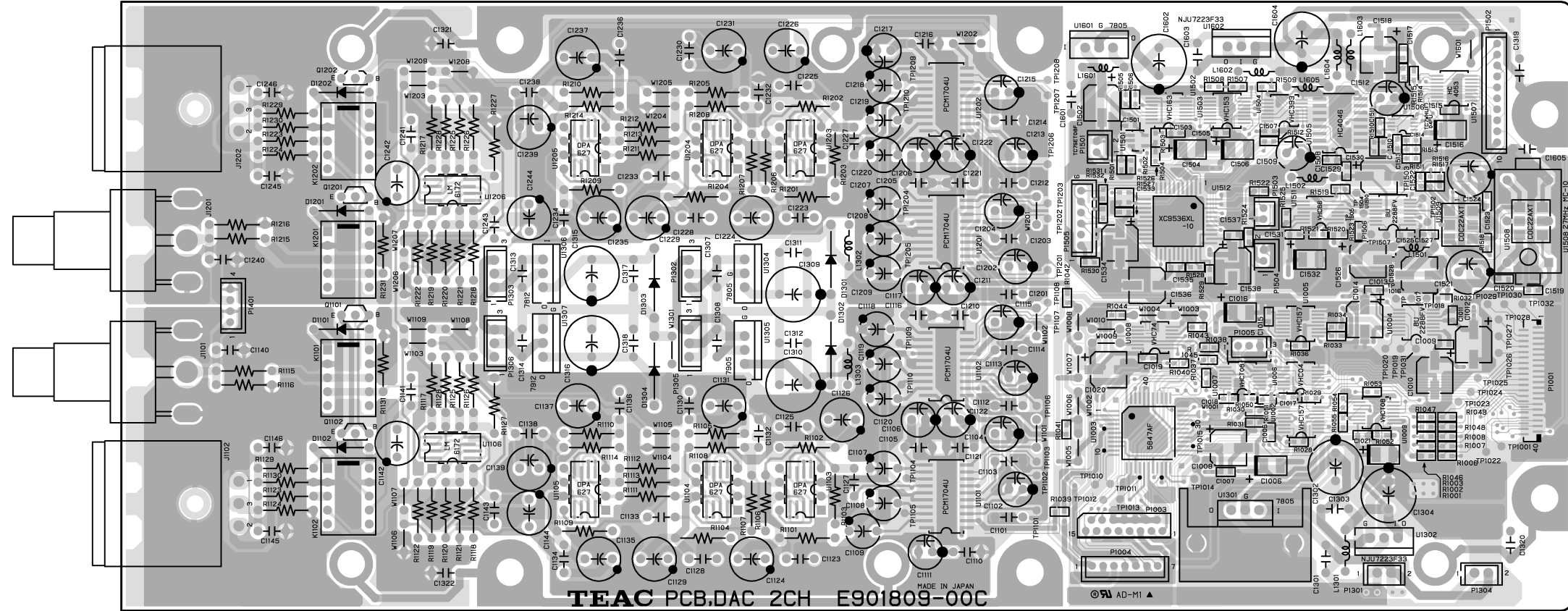
This PCB is a six-layered board.

CORE PCB (SIDE B)



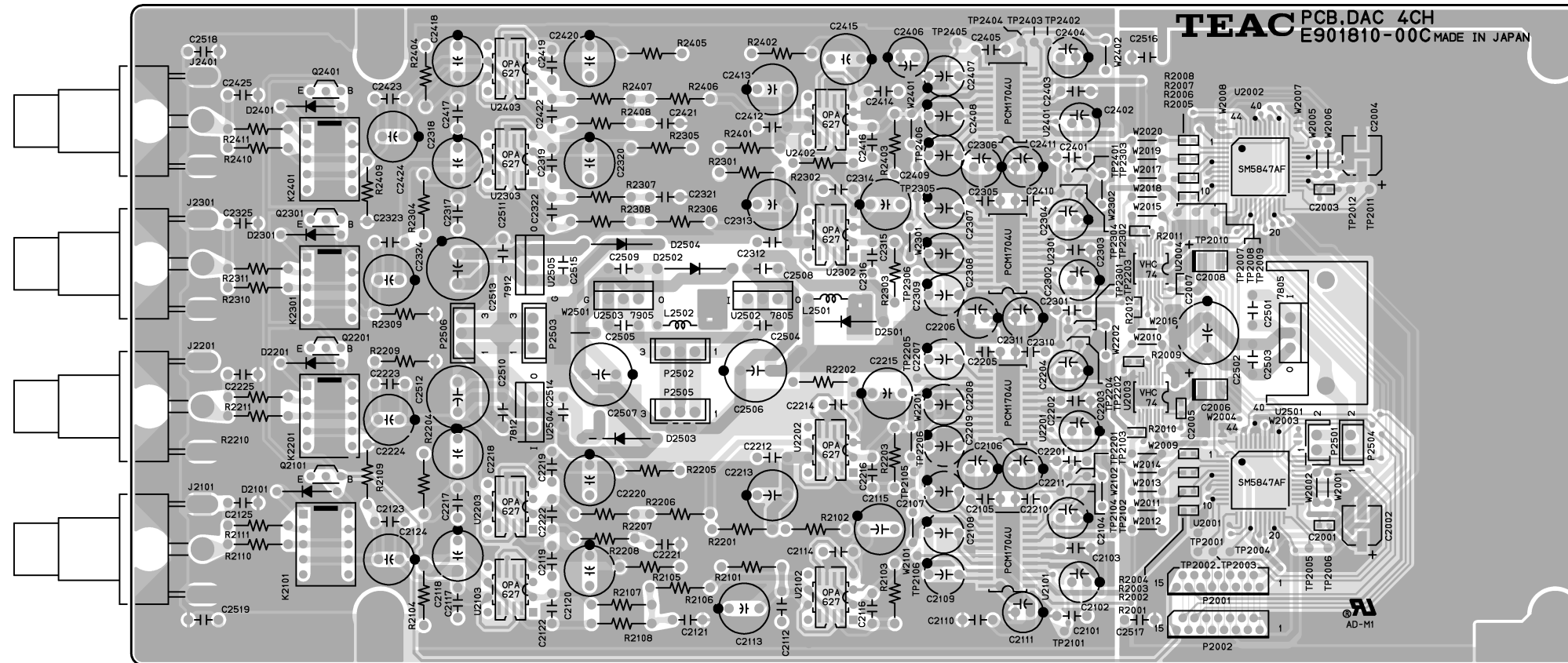
This PCB is a six-layered board.

DAC 2CH PCB



This PCB is a four-layered board.

DAC 4CH PCB



This PCB is a four-layered board.

SW-JOINT PCB

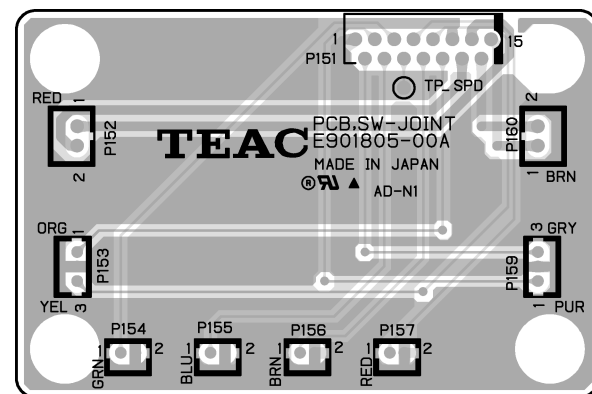
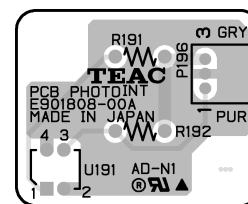
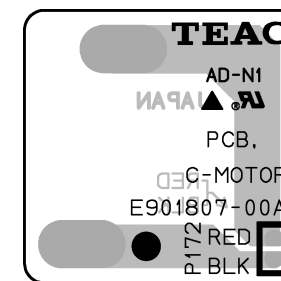


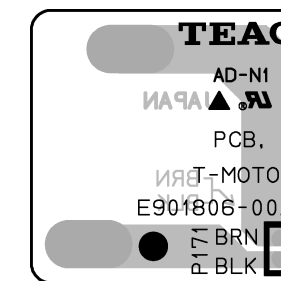
PHOTO INT PCB

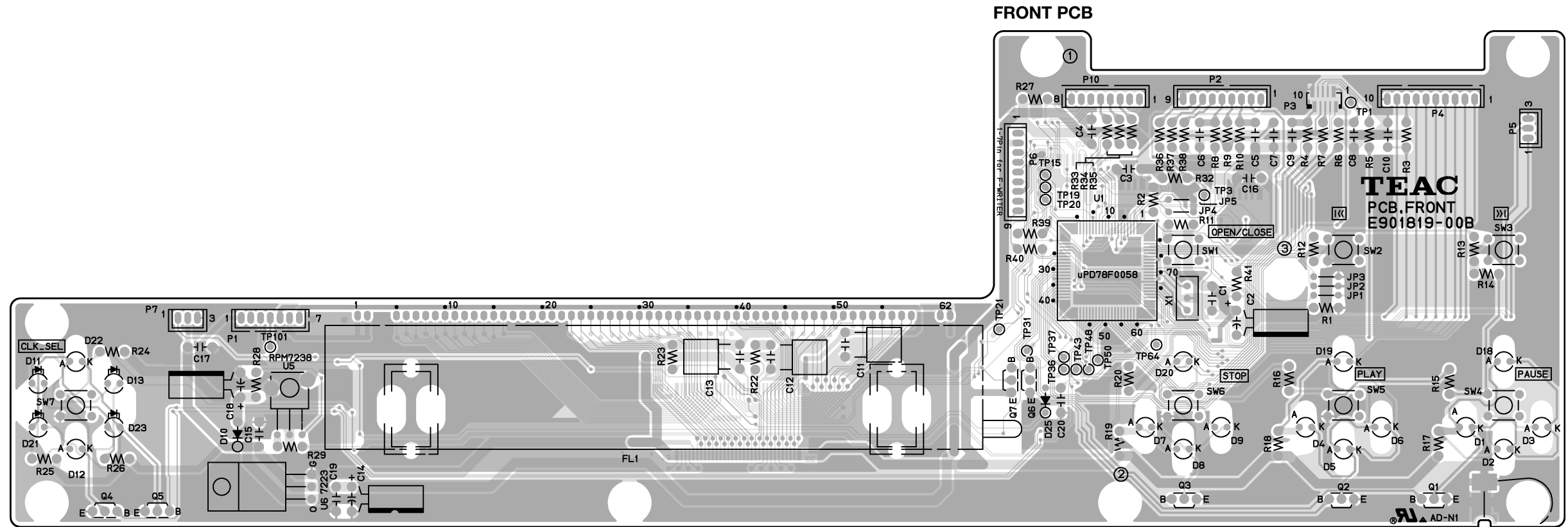


C-MOTOR PCB

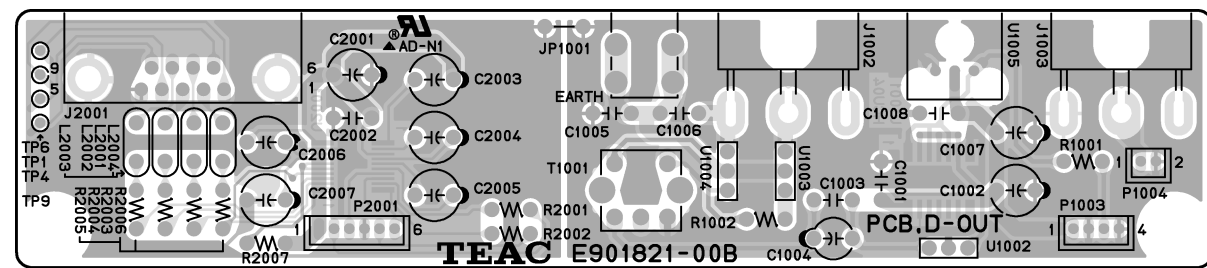


T-MOTOR PCB

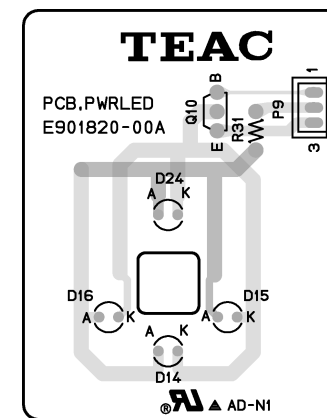




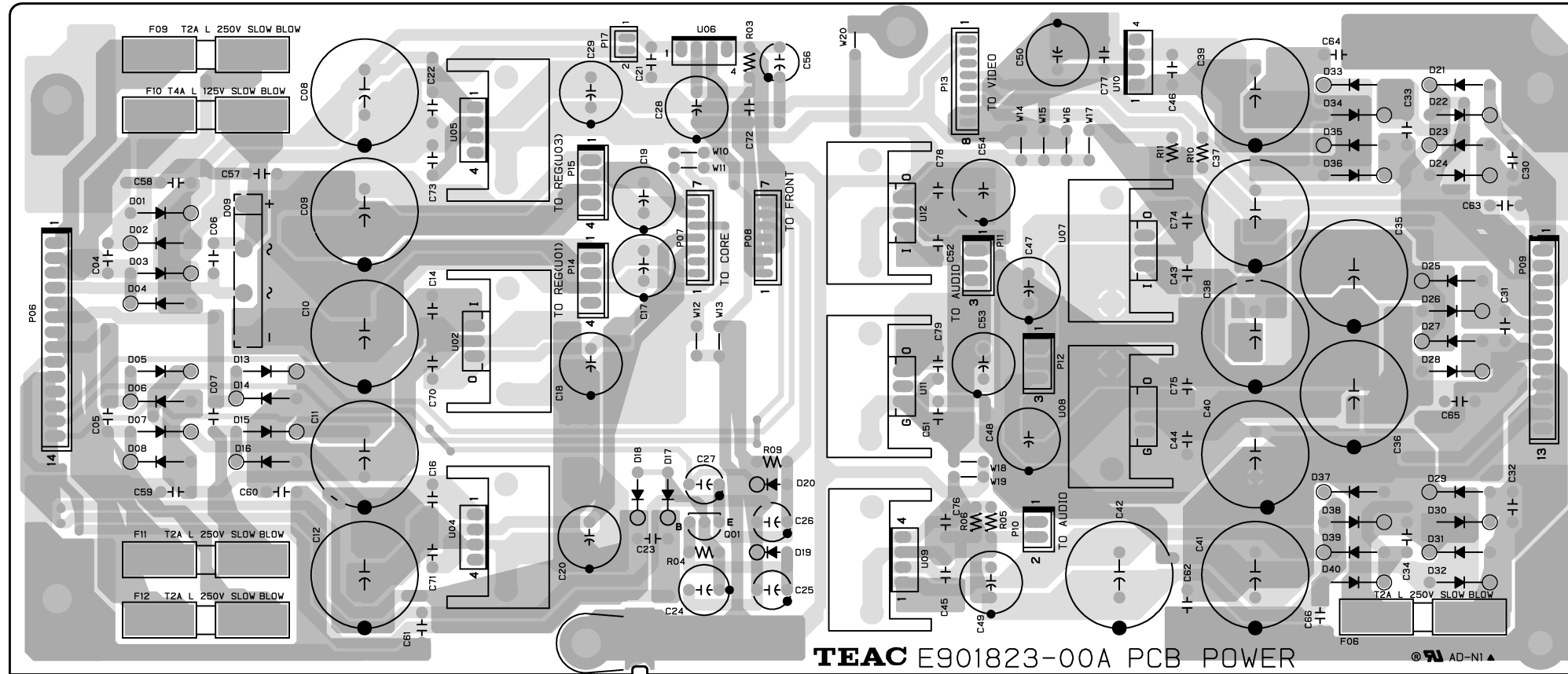
D-OUT PCB



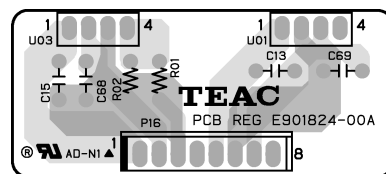
PWRLED PCB



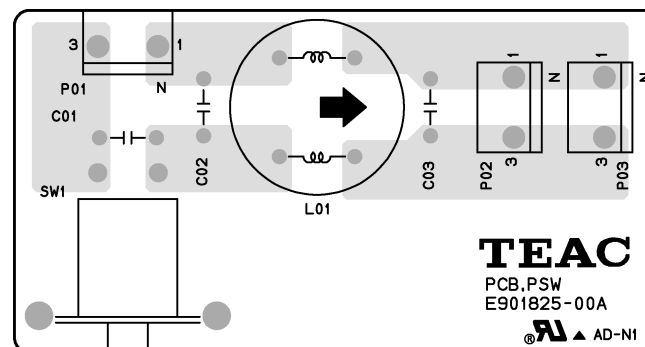
POWER PCB



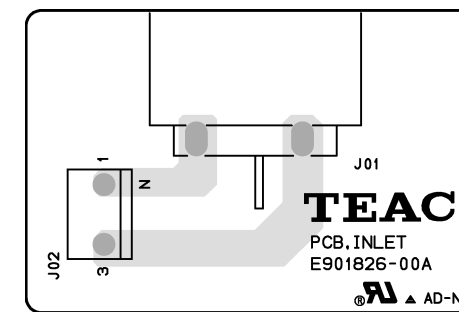
REG PCB



PSW PCB



INLET PCB



CORE PCB ASSY

REF. NO.	PARTS NO.	DESCRIPTION
	E00922700A	PCB ASSY, CORE A-1D
	E90180300C	PCB, CORE
C511	C0034544	CS, 16V 1.0UF M TCFG
C518	C0034544	CS, 16V 1.0UF M TCFG
C524	C0034544	CS, 16V 1.0UF M TCFG
C802	C0036264	CE, 10V 47UF M SVP
C863	C0036264	CE, 10V 47UF M SVP
D201	S0018364	ZENER DIODE, UDZ 6.2B
D202	S0044264	LED, SML-310LT
D401-D408	S0022094	DIODE, 1SS355
D801	S0042404	DIODE, RB161L-40
L101, L102	E0096554	COIL, 47UH 10% LQH32C GAX
L401, L402	E0085584	COIL, LQH55DN4R7M03L
L403-L407	E0085594	COIL, LQH32CN4R7M23L
L408	E0085584	COIL, LQH55DN4R7M03L
L601-L606	E0033204	BEAD COIL, BLM11P300S
L701-L703	E0033204	BEAD COIL, BLM11P300S
L801-L805	E0033204	BEAD COIL, BLM11P300S
P101	E0085824	CONNECTOR, 6200-523-330
P102	5336386300	CONN PLUG, 3P B3BZRSM3TF
P201	E0085784	CONNECTOR, 6232-109-103
P202	E0047064	CONNECTOR, B12B-ZR-SM3-TF
P203	E0008504	CONNECTOR, B03BPHSM3TB
P204	E0085814	CONNECTOR, 6232-115-103
P205	5336386300	CONN PLUG, 3P B3BZRSM3TF
P206	E0047034	CONNECTOR, B 9B-ZR-SM3-TF
P401	E0008544	CONNECTOR, B07BPHSM3TB
P601	E0074674	CONNECTOR, 40FLT-SM1-TB
P602	E0008514	CONNECTOR, B04B-PH-SM3
P603	5336386300	CONN PLUG, 3P B3BZRSM3TF
P701	E0047034	CONNECTOR, B 9B-ZR-SM3-TF
P702	E0085844	CONNECTOR, 28FLZ-SM1
P801	E0074674	CONNECTOR, 40FLT-SM1-TB
P802, P803	5336380000	CONN PLUG, 2P S2BPHSM3TB
P804	5336386600	CONN PLUG, 6P B6BZRSM3TF
Q101-Q103	S0050414	FET, 2SK3019
Q104, Q105	13427410	TR, 2SB1132
Q201	△ S0022974	TR, 2SC5053
R101	11990149	RD, 1/16W 12KOHM 1%
R232, R235	R0014774	VAR RES, 50K EVN5ESX50B54
R257, R258	11990147	RD, 1/16W 10KOHM 1%
R604	11990141	RD, 1/16W 5.6KOHM 1%
R605, R606	11989747	RD, 1/16W 3.3KOHM 1%
R622	11990153	RD, 1/16W 18KOHM 1%
RA101	R0067104	R, ARRAY 1/16W 4X1.5K J
RA201, RA202	R0067304	R, ARRAY 1/16W 4X10K J
RA301-RA305	R0067304	R, ARRAY 1/16W 4X10K J
RA306-RA308	R0066824	R, ARRAY 1/16W 4X100 J
RA309	R0067304	R, ARRAY 1/16W 4X10K J
RA310	R0066704	R, ARRAY 1/16W 4X33 J
RA311, RA312	R0066824	R, ARRAY 1/16W 4X100 J
RA313	R0066884	R, ARRAY 1/16W 4X180 J
RA314-RA326	R0066824	R, ARRAY 1/16W 4X100 J
RA327	R0067304	R, ARRAY 1/16W 4X10K J
RA501, RA502	R0067304	R, ARRAY 1/16W 4X10K J

CORE PCB ASSY

REF. NO.	PARTS NO.	DESCRIPTION
RA503, RA504	R0066824	R, ARRAY 1/16W 4X100 J
RA601-RA607	R0066744	R, ARRAY 1/16W 4X47 J
RA608, RA609	R0066624	R, ARRAY 1/16W 4X15 J
RA701-RA709	R0066624	R, ARRAY 1/16W 4X15 J
RA710	R0066744	R, ARRAY 1/16W 4X47 J
RA711	R0067304	R, ARRAY 1/16W 4X10K J
RA712-RA714	R0066744	R, ARRAY 1/16W 4X47 J
RA801-RA806	R0066744	R, ARRAY 1/16W 4X47 J
RA807	R0067304	R, ARRAY 1/16W 4X10K J
S201, S202	E0028924	SW, SKQGAB
U101	S0052783	IC, CXD1881BR
U201	S0053023	IC, FAN8042
U202	S0034634	IC, BA6674FM-E2
U203	S00369400A	IC, S003694
U204	S0034624	IC, BA6664FM-E2
U205	5220451100	IC, LB1638M
U206	S0000984	IC, NJM3404AV-TE1
U207	S00538400D	IC, TRAY PGM X-01 V1.05
U208	S0034844	IC, TC74HC4053AFT
U209	S0026774	IC, TC7S32FU
U210	△ 13447922	IC NJM78L05UA-TE1
U301	S0052793	IC, CXD1885Q
U302	S0053033	IC, M11L16161SA-45
U303	S0034654	IC, TC7S08FU
U304	S0035414	IC, TC7SH08FU
U305	S0052924	IC, TC74LVX244FT
U306	S0052934	IC, TC74LCX541FT
U401	△ S0035714	IC, BA033FP
U402	△ S0039884	IC, LM1117MPX-1.8
U403	△ S0052984	IC, LM1117MP-2.5
U404	△ S0035714	IC, BA033FP
U405	△ S0052984	IC, LM1117MP-2.5
U406	△ S0039884	IC, LM1117MPX-1.8
U407	△ S0045023	IC, LT1963EQ
U408	△ S0035714	IC, BA033FP
U501	S0048863	IC, CXD2753R
U502	S0048783	IC, IC42S16100-7T
U503	S0053064	IC, AD8062ARM-REEL7
U504	S00538600A	IC, VSTEM SEL V1.00
U505	S0052934	IC, TC74LCX541FT
U601	S0052883	IC, M65776CFP
U602	S0053043	IC, IS42S16400-7T
U603	△ S0052994	IC, NJM2370U33-TE1
U604	S0053004	IC, AK4112BVF-E2
U605, U606	S0052944	IC, TC7SET08FU
U701	S0052893	IC, M32102S6FP
U702	S00538300G	IC, FLASH PGM V1.10
U703	S0052964	IC, TC7SZ04FU
U704	S0053104	IC, BR24L02AFV-W-E2
U705, U706	S0053074	IC, R3112Q251A-TR
U801	S0052913	IC, YSS942-VZ
U802	S0053204	IC, BU2288FV-E2
U803	S0047593	IC, K6R4008V1D-TC
U804, U805	S0049493	IC, TC74VHC541FT
U807, U808	S0035414	IC, TC7SH08FU

CORE PCB ASSY

REF. NO.	PARTS NO.	DESCRIPTION
U811	S0053183	IC, SM5819AF
U812	S00538500B	IC, AUDIO SEL X-01 V1.01
X201	E0085574	RESONATOR, CSTCR4M00G53-R0
X801	E0070544	RESONATOR, LIM55A-T27.0MHZ
X802	E0086434	RESONATOR, LIM55A-T12.288M

DAC 2CH A-L PCB ASSY

REF. NO.	PARTS NO.	DESCRIPTION
	E95181100A	PCB ASSY, DAC 2CH A-L
	E90180900C	PCB, DAC 2CH
	5730039200	HTSK, OSH-2425-SPL
	B00132901A	SCREW, VPC 3X8FZC
	5780202606	SCREW, FLAT M2.6X6
C1006	C0037294	CS, 6.3V 47UF M TPB
C1008, C1010	C0036264	CE, 10V 47UF M SVP
C1012, C1014	C0036264	CE, 10V 47UF M SVP
C1016	C0037294	CS, 6.3V 47UF M TPB
C1020	C0036264	CE, 10V 47UF M SVP
C1022	C0037294	CS, 6.3V 47UF M TPB
C1102, C1104	C0007510	CE, 16V 47UF M SA
C1106, C1111	C0007510	CE, 16V 47UF M SA
C1107-C1109	C0042652	CE, 16V 100UF M LXZ
C1113, C1115	C0007510	CE, 16V 47UF M SA
C1117, C1122	C0007510	CE, 16V 47UF M SA
C1118-C1120	C0042652	CE, 16V 100UF M LXZ
C1124, C1126	C0035340	CE, 16V 100UF M SA
C1129, C1131	5260473420	CE, 25V 100UF M PZ
C1135, C1137	5260473420	CE, 25V 100UF M PZ
C1139	C0035340	CE, 16V 100UF M SA
C1142, C1144	5260473420	CE, 25V 100UF M PZ
C1202, C1204	C0007510	CE, 16V 47UF M SA
C1206, C1211	C0007510	CE, 16V 47UF M SA
C1207-C1209	C0042652	CE, 16V 100UF M LXZ
C1213, C1215	C0007510	CE, 16V 47UF M SA
C1217, C1222	C0007510	CE, 16V 47UF M SA
C1218-C1220	C0042652	CE, 16V 100UF M LXZ
C1224, C1226	C0035340	CE, 16V 100UF M SA
C1229, C1231	5260473420	CE, 25V 100UF M PZ
C1302	5260531420	CE, 20V 100UF M SA
C1304	C0042200	CE, 25V 100UF M KZ
C1309, C1310	5260531420	CE, 20V 100UF M SA
C1502	C0036264	CE, 10V 47UF M SVP
C1504, C1506	C0037294	CS, 6.3V 47UF M TPB
C1509, C1512	C0007510	CE, 16V 47UF M SA
C1516	C0037294	CS, 6.3V 47UF M TPB
C1518	C0036264	CE, 10V 47UF M SVP
C1521, C1524	C0035340	CE, 16V 100UF M SA
C1526, C1528	C0036264	CE, 10V 47UF M SVP
C1530	C0036264	CE, 10V 47UF M SVP
C1532	C0037294	CS, 6.3V 47UF M TPB
C1534	C0036264	CE, 10V 47UF M SVP
C1536, C1538	C0036264	CE, 10V 47UF M SVP
C1602	5260531420	CE, 20V 100UF M SA

DAC 2CH A-L PCB ASSY

REF. NO.	PARTS NO.	DESCRIPTION
D1101, D1102	5224016420	DIODE, S5688G
D1301-D1304	S0037480	DIODE, 21DQ04
J1101	E00353701A	JACK, RCA 1P WHITE NICKING
J1102	5334078800	CONNECTOR, XLM-3-32PCV
K1101, K1102	5290015600	RLY, A-12W-K
L1301-L1303	5286033920	CHC, 10UH K (LAP2T)
L1501, L1502	5286033920	CHC, 10UH K (LAP2T)
L1601-L1605	5286033920	CHC, 10UH K (LAP2T)
P1001	E0074674	CONNECTOR, 40FLT-SM1-TB
P1003	E0074663	CONNECTOR, 15FMN-BTK-A
P1004	5336249700	CONN PLUG, B07B-PH-K-S W
P1005	5336249300	CONN PLUG, B03B-PH-K-S W
P1301	5336303200	CONN PLUG, B2B-EH(WHT)
P1302	5336303300	CONN PLUG, B3B-EH(WHT)
P1303	5336307300	CONN PLUG, B3B-EH-Y(YEL)
P1304	5336303200	CONN PLUG, B2B-EH(WHT)
P1305	5336303300	CONN PLUG, B3B-EH(WHT)
P1306	5336307300	CONN PLUG, B3B-EH-Y(YEL)
P1501	5336251200	CONN PLUG, B02B-PH-K-R R
P1502	5336250000	CONN PLUG, B10B-PH-K-S W
P1503	5336249200	CONN PLUG, B02B-PH-K-S W
P1505	5336249600	CONN PLUG, B06B-PH-K-S W
Q1101, Q1102	5232255620	TR, DTC114ESA
R1103	R0108611	RN, 1/4W 750 OHM F
R1106-R1108	R0108801	RN, 1/4W 4.7KOHM F
R1111-R1114	R0108871	RN, 1/4W 9.1KOHM F
R1115	R0108641	RN, 1/4W 1.0KOHM F
R1117, R1118	5286033920	CHC, 10UH K (LAP2T)
R1119-R1122	R0108871	RN, 1/4W 9.1KOHM F
R1123	R0108511	RN, 1/4W 300 OHM F
R1124	R0108681	RN, 1/4W 1.5KOHM F
R1125-R1128	R0108871	RN, 1/4W 9.1KOHM F
R1129	R0108511	RN, 1/4W 300 OHM F
R1130	R0108681	RN, 1/4W 1.5KOHM F
R1131	R0109041	RN, 1/4W 47KOHM F
R1203	R0108611	RN, 1/4W 750 OHM F
R1206-R1208	R0108801	RN, 1/4W 4.7KOHM F
R1514, R1515	R0129354	RD, 1/16W 1.0KOHM D
U1002	S0053144	IC, TC74VHC157FT
U1003	S0053193	IC, SM5847AF
U1004	S0053204	IC, BU2288FV-E2
U1005	S0053144	IC, TC74VHC157FT
U1006	S0053154	IC, TC74VHC04FT
U1007	S0053164	IC, TC74VHCT08AFT
U1008	S0051944	IC, TC74VHC74FT
U1009	S0053164	IC, TC74VHCT08AFT
U1101, U1102	S0037410	IC, PCM1704U
U1103-U1105	S0049670	IC, OPA627AP
U1106	S0049770	IC, LM61721N
U1201, U1202	S0037410	IC, PCM1704U
U1203, U1204	S0049670	IC, OPA627AP
U1301	△ 13447952	IC, NJM7805FA
U1302	△ S0051390	IC, NJU7223F33
U1304	△ 13447952	IC, NJM7805FA
U1305	△ 13447969	IC, NJM7905FA

DAC 2CH A-L PCB ASSY

REF. NO.	PARTS NO.	DESCRIPTION
U1306	△ 13447956	IC, NJM7812FA
U1307	△ 13447973	IC, NJM7912FA
U1501	S0053114	IC, TC7SET08F
U1502	S0051934	IC, TC74VHC163FT
U1503	S0051954	IC, TC74VHC153FT
U1504	S0053124	IC, TC74VHC393FT
U1505	5220123500	IC, MC74HC4046AF-FR1
U1506	S0053134	IC, TC74VHC86FT
U1507	S0034844	IC, TC74HC4053AFT (EL)
U1508	E00968600A	VCXO, NTO-801V3 27MHZ GD1
U1509	E0085624	VCXO, C0C22AXT 27MHZ
U1510	S0053204	IC, BU2288FV-E2
U1511	S0053174	IC, TC74VHC86FT
U1512	S00539000A	IC, WORD PLL V1.00
U1601	△ 13447952	IC, NJM7805FA
U1602	△ S0051390	IC, NJU7223F33

DAC 2CH A-R PCB ASSY

REF. NO.	PARTS NO.	DESCRIPTION
	E95181200A	PCB ASSY, DAC 2CH A-R
	E90180900C	PCB, DAC 2CH
	5780202606	SCREW, FLAT M2. 6X6
C1102, C1104	C0007510	CE, 16V 47UF M SA
C1106, C1111	C0007510	CE, 16V 47UF M SA
C1107-C1109	C0042652	CE, 16V 100UF M LXZ
C1113, C1115	C0007510	CE, 16V 47UF M SA
C1117, C1122	C0007510	CE, 16V 47UF M SA
C1118-C1120	C0042652	CE, 16V 100UF M LXZ
C1124, C1126	C0035340	CE, 16V 100UF M SA
C1129, C1131	5260473420	CE, 25V 100UF M PZ
C1202, C1204	C0007510	CE, 16V 47UF M SA
C1206, C1211	C0007510	CE, 16V 47UF M SA
C1207-C1209	C0042652	CE, 16V 100UF M LXZ
C1213, C1215	C0007510	CE, 16V 47UF M SA
C1217, C1222	C0007510	CE, 16V 47UF M SA
C1218-C1220	C0042652	CE, 16V 100UF M LXZ
C1224, C1226	C0035340	CE, 16V 100UF M SA
C1229, C1231	5260473420	CE, 25V 100UF M PZ
C1235, C1237	5260473420	CE, 25V 100UF M PZ
C1239	C0035340	CE, 16V 100UF M SA
C1242, C1244	5260473420	CE, 25V 100UF M PZ
C1309, C1310	5260531420	CE, 20V 100UF M SA
D1201, D1202	5224016420	DIODE, S5688G
D1301-D1304	S0037480	DIODE, 21DQ04
J1201	E00353801A	JACK, RCA 1P RED NICKING
J1202	5334078800	CONNECTOR, XLM-3-32PCV
K1201, K1202	5290015600	RLY, A-12W-K
L1302, L1303	5286033920	CHC, 10UH K (LAP2T)
P1004	5336249700	CONN PLUG, B07B-PH-K-S W
P1302	5336303300	CONN PLUG, B3B-EH(WHT)
P1303	5336307300	CONN PLUG, B3B-EH-Y(YEL)
P1305	5336303300	CONN PLUG, B3B-EH(WHT)
P1306	5336307300	CONN PLUG, B3B-EH-Y(YEL)

DAC 2CH A-R PCB ASSY

REF. NO.	PARTS NO.	DESCRIPTION
Q1201, Q1202	5232255620	TR, DTC114ESA
R1103	R0108611	RN, 1/4W 750 OHM F
R1106-R1108	R0108801	RN, 1/4W 4.7KOHM F
R1203	R0108611	RN, 1/4W 750 OHM F
R1206-R1208	R0108801	RN, 1/4W 4.7KOHM F
R1211-R1214	R0108871	RN, 1/4W 9.1KOHM F
R1215	R0108641	RN, 1/4W 1.0KOHM F
R1217, R1218	5286033920	CHC, 10UH K (LAP2T)
R1219-R1222	R0108871	RN, 1/4W 9.1KOHM F
R1223	R0108511	RN, 1/4W 300 OHM F
R1224	R0108681	RN, 1/4W 1.5KOHM F
R1225-R1228	R0108871	RN, 1/4W 9.1KOHM F
R1229	R0108511	RN, 1/4W 300 OHM F
R1230	R0108681	RN, 1/4W 1.5KOHM F
R1231	R0109041	RN, 1/4W 47KOHM F
U1101, U1102	S0037410	IC, PCM1704U
U1103, U1104	S0049670	IC, OPA627AP
U1201, U1202	S0037410	IC, PCM1704U
U1203-U1205	S0049670	IC, OPA627AP
U1206	S0049770	IC, LM61721N
U1304	△ 13447952	IC, NJM7805FA
U1305	△ 13447969	IC, NJM7905FA
U1306	△ 13447956	IC, NJM7812FA
U1307	△ 13447973	IC, NJM7912FA

DAC 4CH A PCB ASSY

REF. NO.	PARTS NO.	DESCRIPTION
	E95191800A	PCB ASSY, DAC 4CH A
	E90181000C	PCB, DAC 4CH
	5730039200	HTSK, OSH-2425-SPL
	B00132901A	SCREW, VPC 3X8FZC
	5780202606	SCREW, FLAT M2. 6X6
C2002, C2004	C0036264	CE, 10V 47UF M SVP
C2006, C2008	C0037294	CS, 6.3V 47UF M TPB
C2102, C2104	C0007510	CE, 16V 47UF M SA
C2106, C2111	C0007510	CE, 16V 47UF M SA
C2107-C2109	C0042652	CE, 16V 100UF M LXZ
C2113, C2115	C0035340	CE, 16V 100UF M SA
C2118, C2120	5260473420	CE, 25V 100UF M PZ
C2124, C2224	C0035340	CE, 16V 100UF M SA
C2202, C2204	C0007510	CE, 16V 47UF M SA
C2206, C2211	C0007510	CE, 16V 47UF M SA
C2207-C2209	C0042652	CE, 16V 100UF M LXZ
C2213, C2215	C0035340	CE, 16V 100UF M SA
C2218, C2220	5260473420	CE, 25V 100UF M PZ
C2302, C2304	C0007510	CE, 16V 47UF M SA
C2306, C2311	C0007510	CE, 16V 47UF M SA
C2307-C2309	C0042652	CE, 16V 100UF M LXZ
C2313, C2315	C0035340	CE, 16V 100UF M SA
C2318, C2320	5260473420	CE, 25V 100UF M PZ
C2324, C2424	C0035340	CE, 16V 100UF M SA
C2402, C2404	C0007510	CE, 16V 47UF M SA

DAC 4CH A PCB ASSY

REF. NO.	PARTS NO.	DESCRIPTION
C2406, C2411	C0007510	CE, 16V 47UF M SA
C2407-C2409	C0042652	CE, 16V 100UF M LXZ
C2413, C2415	C0035340	CE, 16V 100UF M SA
C2418, C2420	5260473420	CE, 25V 100UF M PZ
C2502	5260531420	CE, 20V 100UF M SA
C2506, C2507	5260531420	CE, 20V 100UF M SA
D2101, D2201	5224016420	DIODE, S5688G
D2301, D2401	5224016420	DIODE, S5688G
D2501-D2504	S0037480	DIODE, 21DQ04
J2101, J2201	E00856400A	JACK, RCA 1P BLK NICKING
J2301, J2401	E00856400A	JACK, RCA 1P BLK NICKING
K2101, K2201	5290015600	RLY, A-12W-K
K2301, K2401	5290015600	RLY, A-12W-K
L2501, L2502	5286033920	CHC, 10UH K (LAP2T)
P2001	E0074663	CONNECTOR, 15FMN-BTK-A
P2501	5336303200	CONN PLUG, B2B-EH(WHT)
P2502	5336303300	CONN PLUG, B3B-EH(WHT)
P2503	5336307300	CONN PLUG, B3B-EH-Y(YEL)
Q2101, Q2201	5232255620	TR, DTC114ESA
Q2301, Q2401	5232255620	TR, DTC114ESA
R2103, R2203	R0108751	RN, 1/4W 3.0KOHM F
R2106-R2108	R0108801	RN, 1/4W 4.7KOHM F
R2109, R2209	R0109041	RN, 1/4W 47KOHM F
R2110, R2210	R0108641	RN, 1/4W 1.0KOHM F
R2206-R2208	R0108801	RN, 1/4W 4.7KOHM F
R2303, R2403	R0108751	RN, 1/4W 3.0KOHM F
R2306-R2308	R0108801	RN, 1/4W 4.7KOHM F
R2309, R2409	R0109041	RN, 1/4W 47KOHM F
R2310, R2410	R0108641	RN, 1/4W 1.0KOHM F
R2406-R2408	R0108801	RN, 1/4W 4.7KOHM F
U2001, U2002	S0053193	IC, SM5847AF
U2003, U2004	S0051944	IC, TC74VHC74FT
U2101, U2201	S0037410	IC, PCM1704U
U2102, U2103	S0049670	IC, OPA627AP
U2202, U2203	S0049670	IC, OPA627AP
U2301, U2401	S0037410	IC, PCM1704U
U2302, U2303	S0049670	IC, OPA627AP
U2402, U2403	S0049670	IC, OPA627AP
U2501	△ 13447952	IC, NJM7805FA
U2502	△ 13447952	IC, NJM7805FA
U2503	△ 13447969	IC, NJM7905FA
U2504	△ 13447956	IC, NJM7812FA
U2505	△ 13447973	IC, NJM7912FA

SW-JOINT PCB ASSY Part of GATHER MECHA PCB ASSY

REF. NO.	PARTS NO.	DESCRIPTION
	E95180500A	PCB ASSY, SW-JOINT
	E90180500A	PCB, SW-JOINT
P151	E0069150	CONNECTOR, 15FMN-STK-A
P152	5336249200	CONN PLUG, B02B-PH-K-S W
P153	13124425	CONNECTOR, ZH B 3B-ZR
P154-P157	13124424	CONNECTOR, ZH B 2B-ZR
P159	13124425	CONNECTOR, ZH B 3B-ZR
P160	5336249200	CONN PLUG, B02B-PH-K-S W

PHOTO INT PCB ASSY Part of GATHER MECHA PCB ASSY

REF. NO.	PARTS NO.	DESCRIPTION
	E95180800A	PCB ASSY, PHOTO INT
	E90180800A	PCB, PHOTO INT
P196	13124436	CONNECTOR, ZH S 3B-ZR
U191	5228017700	PHOTO-INTERRUPTER, GP2S24

C-MOTOR PCB ASSY Part of GATHER MECHA PCB ASSY

REF. NO.	PARTS NO.	DESCRIPTION
	E95180700A	PCB ASSY, C-MOTOR
	E90180700A	PCB, C-MOTOR
P172	5336249200	CONN PLUG, B02B-PH-K-S W

T-MOTOR PCB ASSY Part of GATHER MECHA PCB ASSY

REF. NO.	PARTS NO.	DESCRIPTION
	E95180600A	PCB ASSY, T-MOTOR
	E90180600A	PCB, T-MOTOR
P171	5336249200	CONN PLUG, B02B-PH-K-S W

FRONT PCB ASSY Part of GATHER A PCB ASSY

REF. NO.	PARTS NO.	DESCRIPTION
	E95181900A	PCB ASSY, FRONT
	E90181900B	PCB, FRONT
	5555590000	EARTH PLATE A
	M00539300A	HOLDER ASSY, FL
	M0029800	SPACER, LED LH-3-4
	M0176070	HOLDER, LED LF-10
C2	5260462720	CE, 25V 47UF M AU
C14, C18	5260462720	CE, 25V 47UF M AU
D1, D3	S0052200	LED, SLR343BCT3F
D4, D6	S0052200	LED, SLR343BCT3F
D7, D9	S0052200	LED, SLR343BCT3F
D10	5224015020	DIODE, 1SS133T-77
D18-D20	S0052200	LED, SLR343BCT3F
D21-D23	S0052200	LED, SLR343BCT3F
D25	5224015020	DIODE, 1SS133T-77
FL1	E00746900A	ELCTRN RAY DSPL, CM2058
P1	5336253700	CONN PLUG, B07B-PH-K-Y(YEL)
P2	5336249900	CONN PLUG, B09B-PH-K-S W
P3	E0085664	CONNECTOR, 10FLT-SM1-TB
P4	5336250000	CONN PLUG, B10B-PH-K-S W
P5	5336249300	CONN PLUG, B03B-PH-K-S W
P6	5336255900	CONN PLUG, B09B-PH-K-K BK
P7	5336249300	CONN PLUG, B03B-PH-K-S W
P10	5336249800	CONN PLUG, B08B-PH-K-S W
Q1-Q6	5232255620	TR, DTC114ESA
Q7	5232254720	TR, DTA114ESA
SW1-SW7	E0082440	SW, TACT SKHHDGA010
U1	S00532500D	IC, MPU FRONT X-01 V1.08
U2	S0051434	IC, BR93L46RF-W
U3	S0021414	IC, TC74VHC704

FRONT PCB ASSY Part of GATHER A PCB ASSY

REF. NO.	PARTS NO.	DESCRIPTION
U4	S0018723	IC, M66004FP
U5	S0053230	IC, RPM7238-H9
U6	△ S0051390	IC, NJU7223F33
U7	S0047794	IC, TC74VHCT08AF
X1	E0022490	RESONATOR, EFO-EC5004A4

D-OUT PCB ASSY Part of GATHER A PCB ASSY

REF. NO.	PARTS NO.	DESCRIPTION
	E95182100A	PCB ASSY, D-OUT
	E90182100B	PCB, D-OUT
	13180156	TERMINAL
	5780202606	SCREW, FLAT M2. 6X6
C1002	C0007510	CE, 16V 47UF M SA
C1004	5260462220	CE, 25V 33UF M AU
C1007	C0007510	CE, 16V 47UF M SA
J1002	E00856700A	JACK, RCA 1P ORG NICKING
J1003	E00831900A	JACK, BNC GOLD
P1003	5336249400	CONN PLUG, B04B-PH-K-S
P1004	5336251200	CONN PLUG, B02B-PH-K-R R
T1001	5320046300	PULSE TRANS, TC-1027-04
U1001	5220093600	IC, TC74HCU04AF-TP2
U1002-U1004	5292807920	EMIFLTR, EXC EMT 47PFT
U1005	E0085650	OPT CONN, GP1FA513TZ

PWRLED PCB ASSY Part of GATHER A PCB ASSY

REF. NO.	PARTS NO.	DESCRIPTION
	E95182000A	PCB ASSY, PWRLED
	E90182000A	PCB, PWRLED
	M0029800	SPACER, LED LH-3-4
	M0176070	HOLDER, LED LF-10
D15, D16	S0052200	LED, SLR343BCT3F
D24	S0052200	LED, SLR343BCT3F
P9	5336249300	CONN PLUG, B03B-PH-K-S W
Q10	5232255620	TR, DTC114ESA

POWER PCB ASSY Part of GATHER B PCB ASSY

REF. NO.	PARTS NO.	DESCRIPTION
	E95182300A	PCB ASSY, POWER
	E90182300A	PCB, POWER
	5555590000	EARTH PLATE A
	B00132901A	SCREW, VPC 3X8FZC
C04-C07	△ 5263167923	C, METAL 0.10UF 50V J
C08-C10	△ C0042640	CE, 25V 4700UF M HE
C11, C12	△ C0040910	CE, 35V 3300UF M LXZ
C14, C16	△ 5263167923	C, METAL 0.10UF 50V J
C17-C20	5260531420	CE, 20V 100UF M SA
C21, C22	△ 5263167923	C, METAL 0.10UF 50V J

POWER PCB ASSY Part of GATHER B PCB ASSY

REF. NO.	PARTS NO.	DESCRIPTION
C23	△ C0040902	CQ, 100V 0.22UF J
C24	△ 5260463420	CE, 50V 100UF M AU
C25-C27	△ 5260462920	CE, 50V 47UF M AU
C28	5260463220	CE, 25V 100UF M AU
C29	5260531420	CE, 20V 100UF M SA
C31, C32	△ 5263167923	C, METAL 0.10UF 50V J
C34	△ 5263167923	C, METAL 0.10UF 50V J
C35, C36	△ C0040910	CE, 35V 3300UF M LXZ
C40-C42	△ C0040910	CE, 35V 3300UF M LXZ
C43-C45	△ 5263167923	C, METAL 0.10UF 50V J
C47-C49	5260531420	CE, 20V 100UF M SA
C53, C54	5260531420	CE, 20V 100UF M SA
C56	5260461720	CE, 50V 10UF M AU
D01-D08	△ S0049721	DIODE, 21DQ10-T
D09	△ S0048880	DIODE, D4SBS4
D13-D16	△ S0049721	DIODE, 21DQ10-T
D17, D18	△ S0053220	DIODE, 10EHA20
D19	5224592821	ZENER DIODE, RD 33ESB1
D20	5224585621	ZENER DIODE, RD6.2ESB1
D25-D32	△ S0049721	DIODE, 21DQ10-T
D37-D40	△ S0049721	DIODE, 21DQ10-T
F06	△ E0077810	FUSE, T-LAG 2.0A
F06	E0034560	CLIP FUSE, H0446
F09	△ E0077810	FUSE, T-LAG 2.0A
F09, F10	E0034560	CLIP FUSE, H0446
F10	△ E0077850	FUSE, T-LAG 4.0A 125V
F11, F12	△ E0077810	FUSE, T-LAG 2.0A
F11, F12	E0034560	CLIP FUSE, H0446
P06	5336304400	CONN PLUG, B14B-EH(WHT)
P07	5336249700	CONN PLUG, B07B-PH-K-S W
P08	5336253700	CONN PLUG, B07B-PH-K-Y (YEL)
P09	5336304300	CONN PLUG, B13B-EH(WHT)
P10	5336303200	CONN PLUG, B2B-EH(WHT)
P11	5336303300	CONN PLUG, B3B-EH(WHT)
P12	5336307300	CONN PLUG, B3B-EH-Y (YEL)
P13	5336249800	CONN PLUG, B08B-PH-K-S W
P14	5336303400	CONN PLUG, B4B-EH(WHT)
P15	5336305400	CONN PLUG, B4B-EH-R (RED)
Q01	△ 5230509100	TR, 2SB562C
U02	△ S0053740	IC, BA08T
U02	M00350800A	HEATSINK, OSH-2435-SPL
U04	△ 5220451800	IC, PQ12RF11
U04, U05	M00350800A	HEATSINK, OSH-2435-SPL
U05	△ 5220451400	IC, PQ05RF11
U06	△ S0018843	IC, PQ05RR1
U07	△ S0053810	IC, BA15T
U07-U09	M00350800A	HEATSINK, OSH-2435-SPL
U08	△ 13447974	IC, NJM7915FA
U09	△ S0048710	IC, PQ30RV2
U11	△ 13447971	IC, NJM7908FA
U11, U12	M00350800A	HEATSINK, OSH-2435-SPL
U12	△ 13447954	IC, NJM7808FA

REG PCB ASSY Part of GATHER B PCB ASSY

REF. NO.	PARTS NO.	DESCRIPTION
	E95182400A	PCB ASSY, REG
	E90182400A	PCB, REG
C13, C15	△ 5263167923	C, METAL 0.10UF 50V J
P16	5336303800	CONN PLUG, B8B-EH(WHT)
U01	△ 5220451400	IC, PQ05RF11
U03	△ S0048710	IC, PQ30RV2

PSW PCB ASSY Part of GATHER B PCB ASSY

REF. NO.	PARTS NO.	DESCRIPTION
	E95182500A	PCB ASSY, PSW
	E90182500A	PCB, PSW
C01	△ E0066080	SPK KILLER, 0.0047UF 250V
L01	△ 5292806300	FILTER, FKOB16MH13
P01-P03	5336376200	CONN PLUG, B2P3-VH
SW1	△ E0085700	SW, PUSH SDKLA10300

INLET PCB ASSY Part of GATHER B PCB ASSY

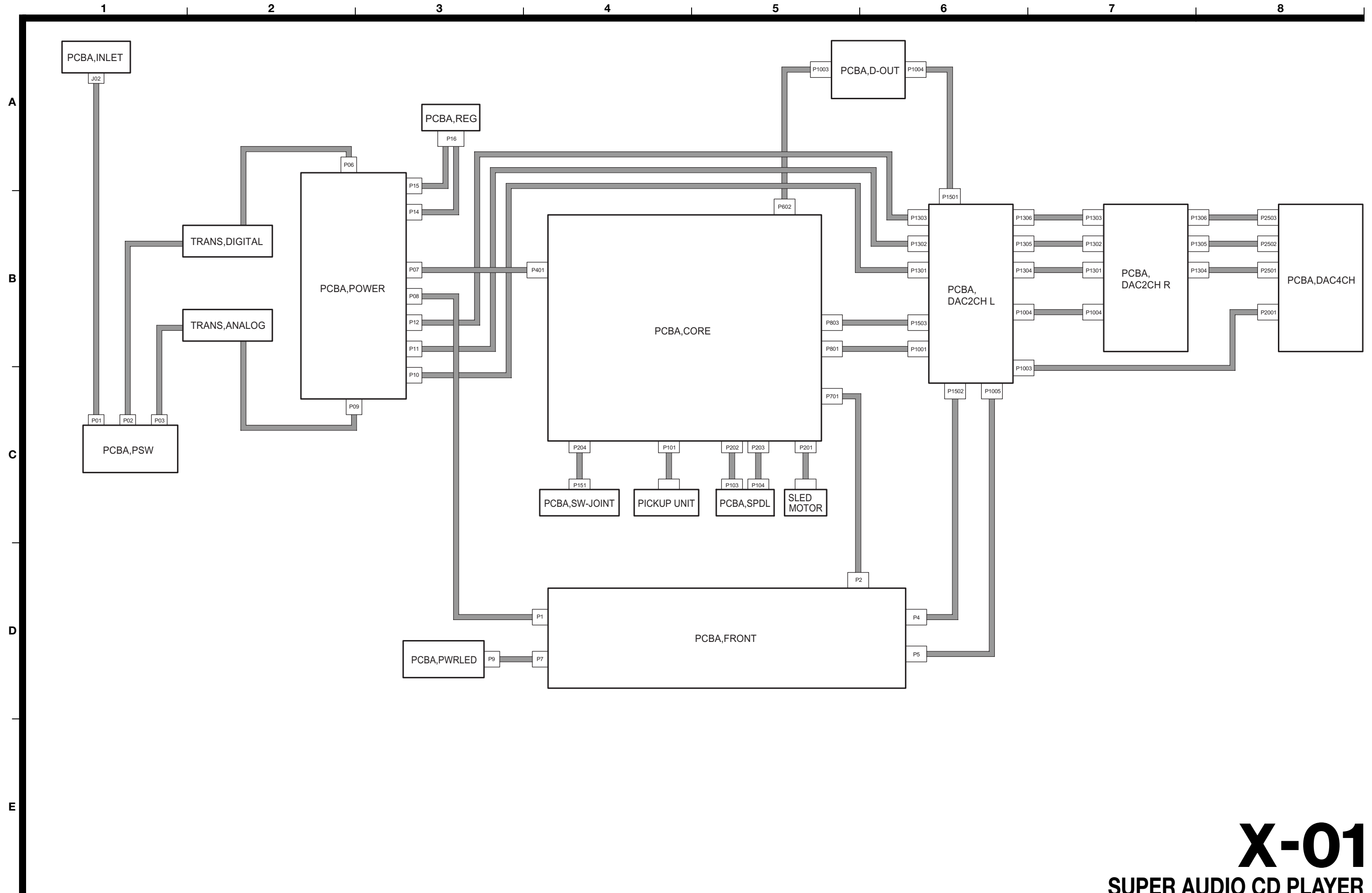
REF. NO.	PARTS NO.	DESCRIPTION
	E95182600A	PCB ASSY, INLET
	E90182600A	PCB, INLET
	M01646300A	BRACKET, AC IN
J01	△ E0036070	CONNECTOR, M1908-B
J02	5336376200	CONN PLUG, B2P3-VH

5 INCLUDED ACCESSORIES

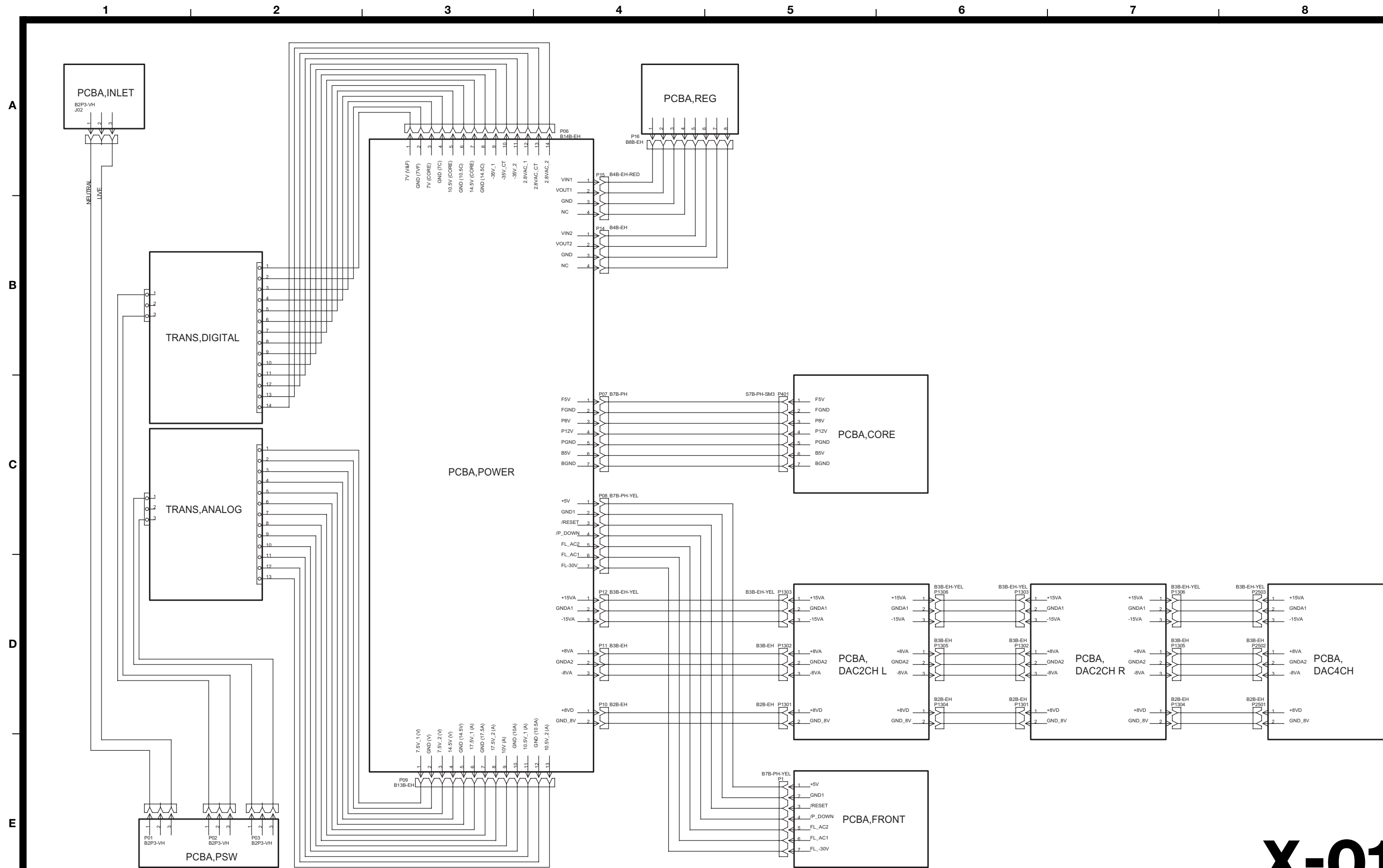
INCLUDED ACCESSORIES

REF. NO.	PARTS NO.	DESCRIPTION	REMARKS
	D00816700A	OWNER'S MANUAL, E/F/G	
	D00838300A	BINDER, MANUAL ESOTERIC	
	E00857900A	REMOTE CONTROL UNIT, RC-941	
	5347007000	BATTERY, UM-3	
	△ E0093270	POWER CORD, 3P	
	M01499300A	CUSHION, FOOT 40	
	J0079750	SCREW DRIVER, NDV-5+	

TEAC WIRING DIAGRAM X-01

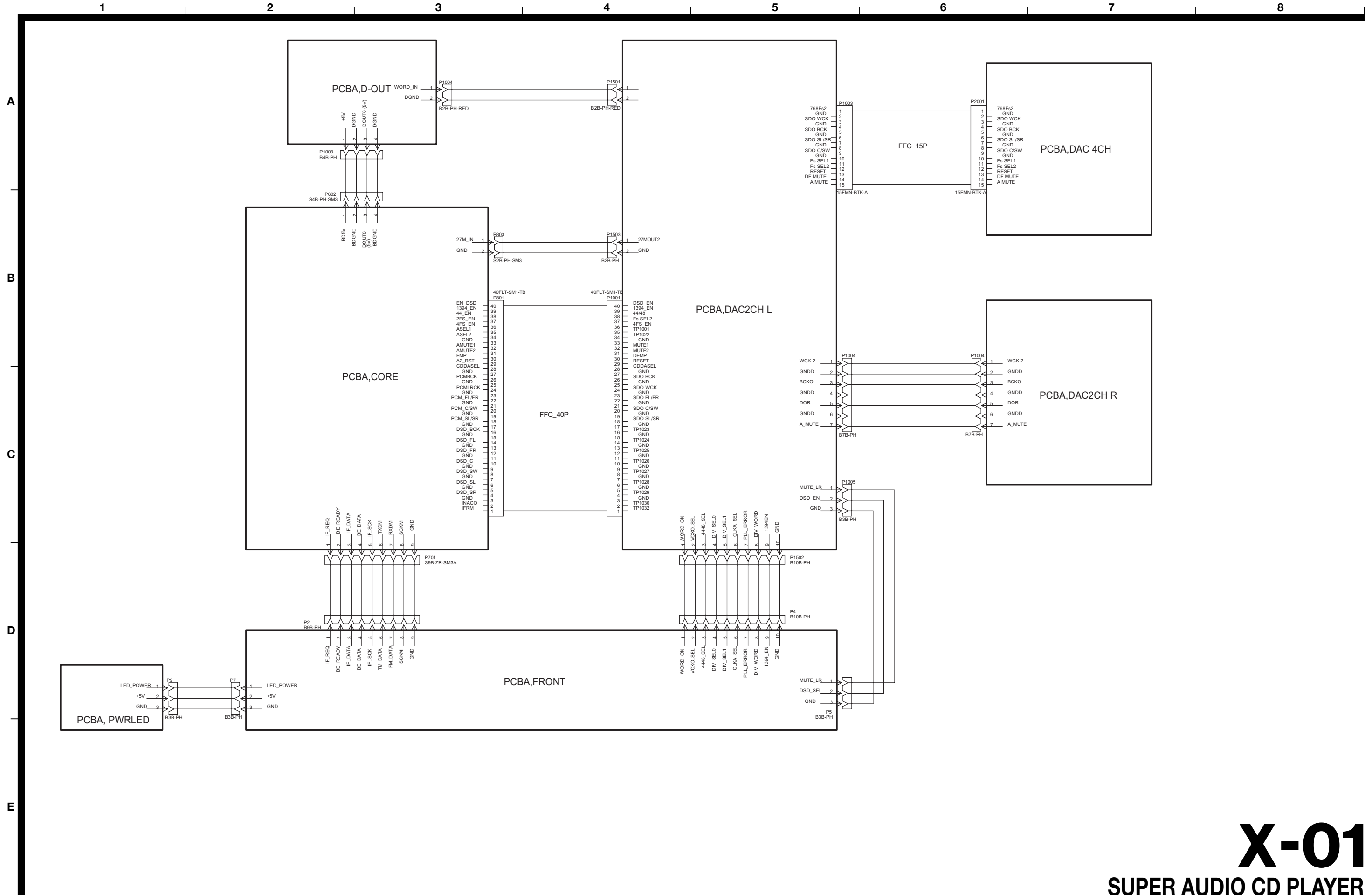


TEAC WIRING DIAGRAM X-01 POWER SUPPLY

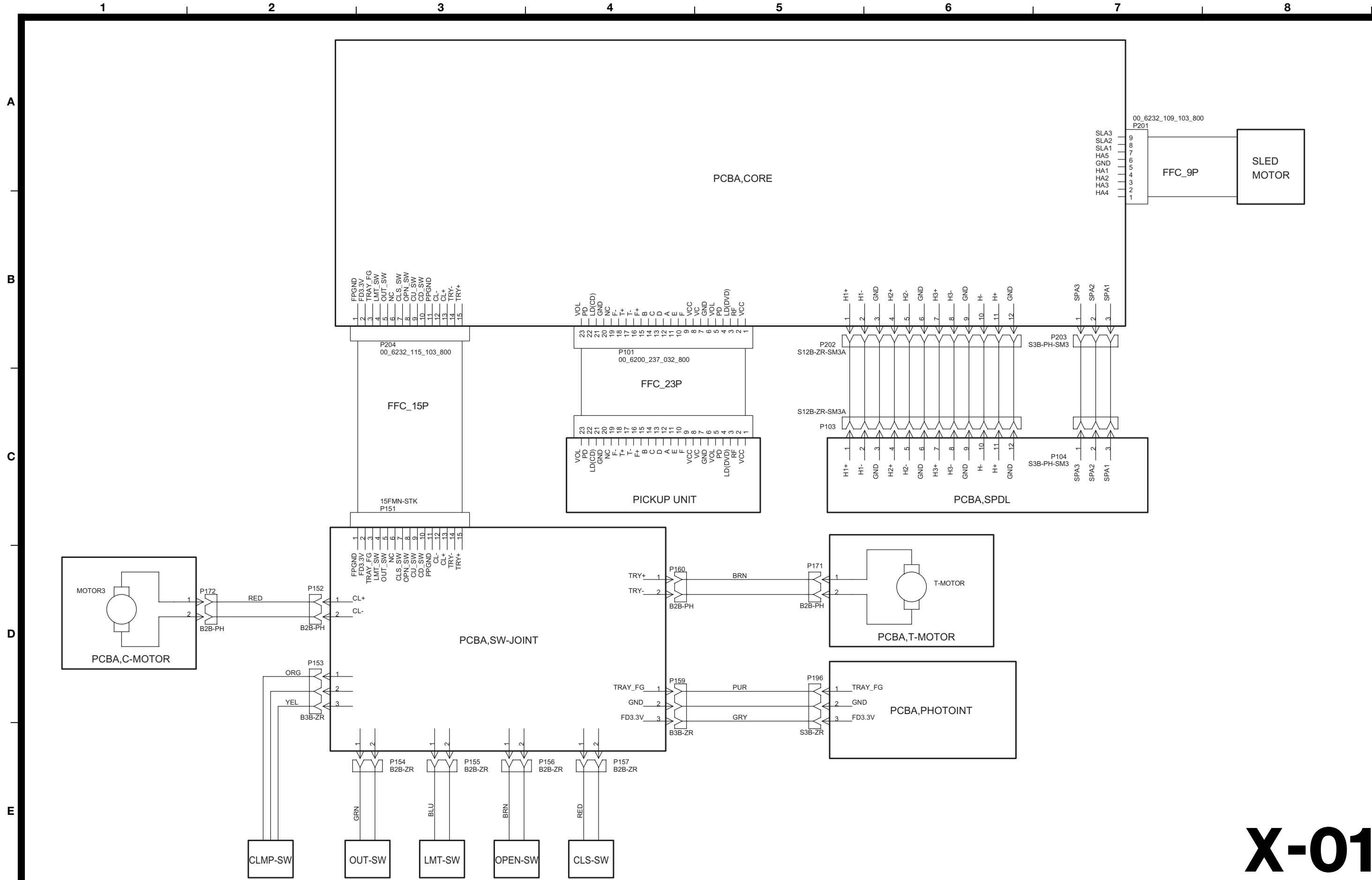


X-01
SUPER AUDIO CD PLAYER
 2nd Issue; August 2004

TEAC WIRING DIAGRAM X-01 DATA SIGNAL



TEAC WIRING DIAGRAM X-01 MECHA SECTION



TEAC SCHEMATIC DIAGRAM X-01 CORE PCB (1/8) (RF AMP), SW-JOINT PCB, C-MOTOR PCB, T-MOTOR PCB, PHOTO INT PCB

1 2 3 4 5 6 7 8

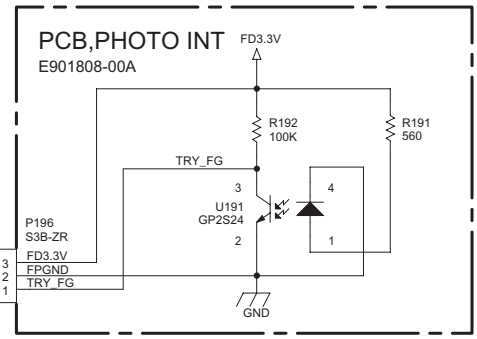
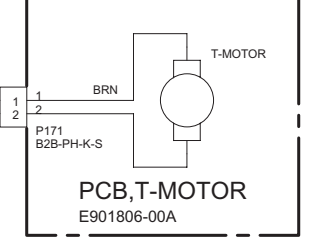
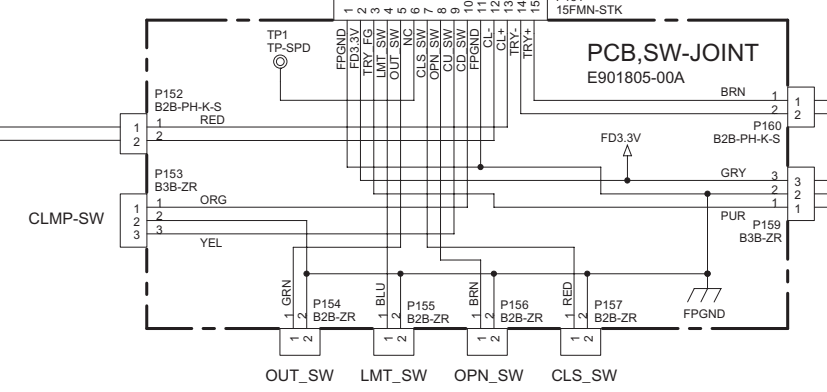
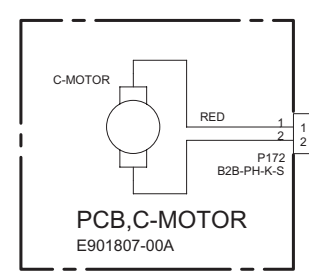
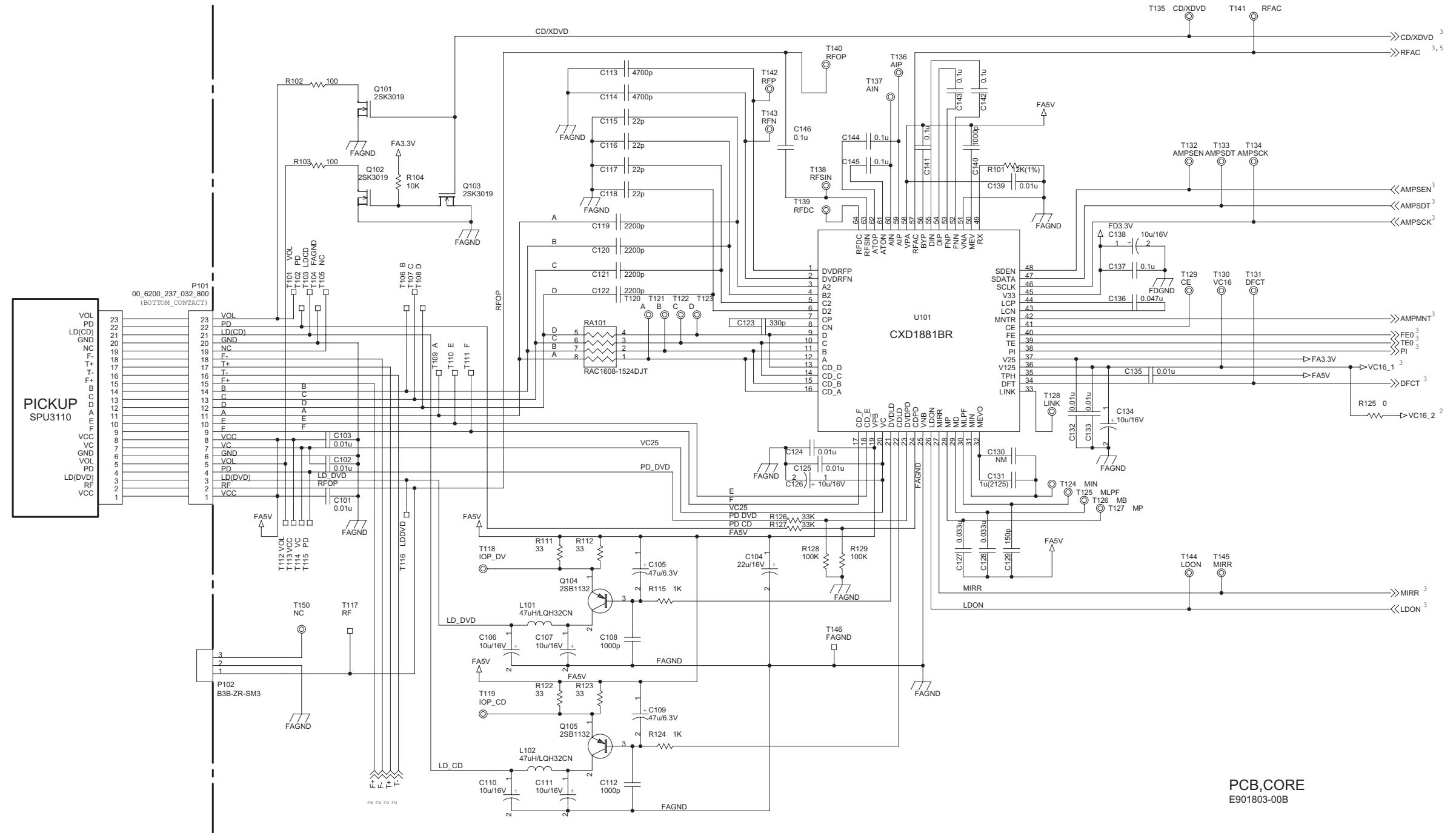
A

B

C

D

E



X-01

SUPER AUDIO CD PLAYER

2nd Issue; August 2004

TEAC SCHEMATIC DIAGRAM X-01 CORE PCB (2/8) (DRIVER)

1 2 3 4 5 6 7 8

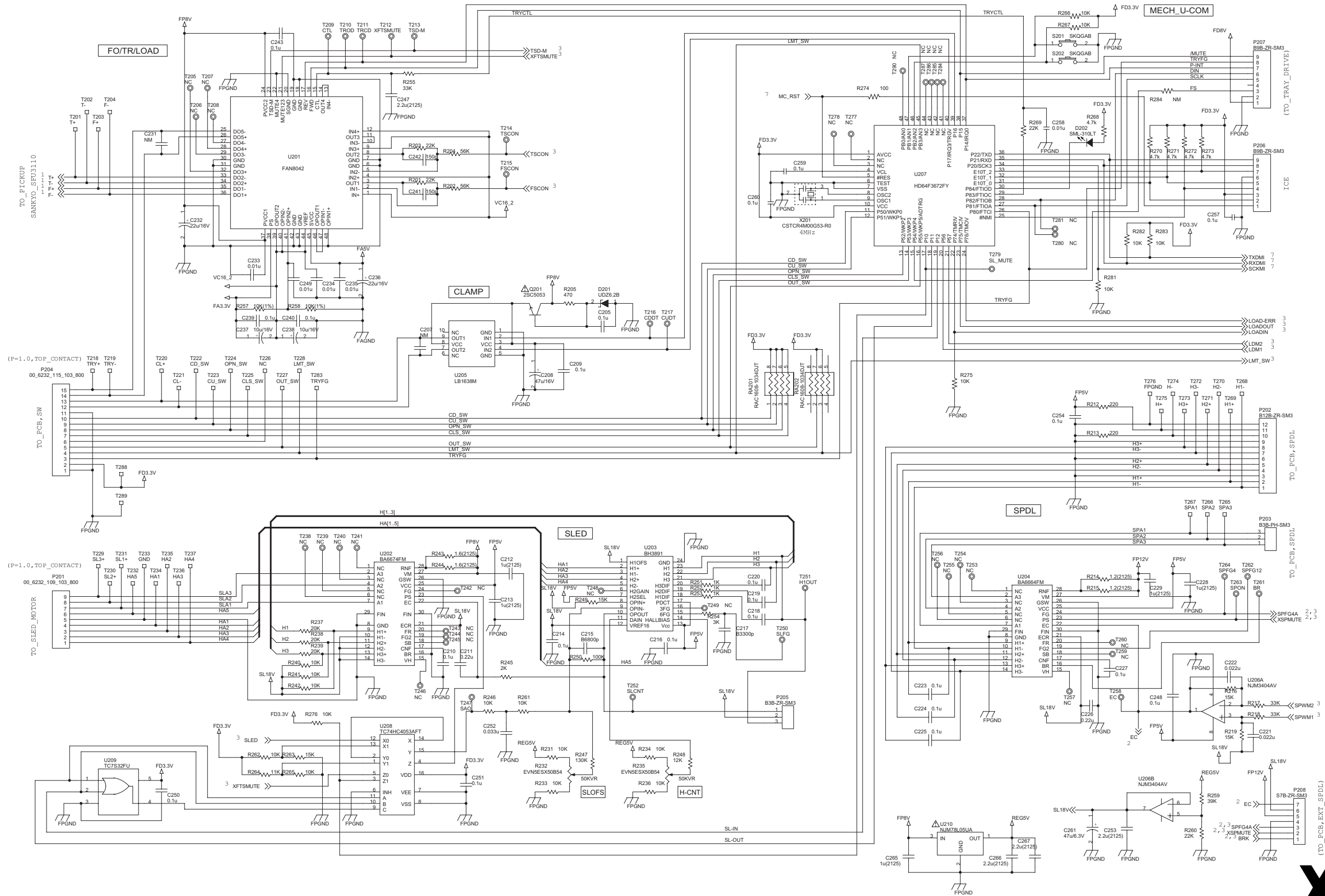
A

B

C

D

E

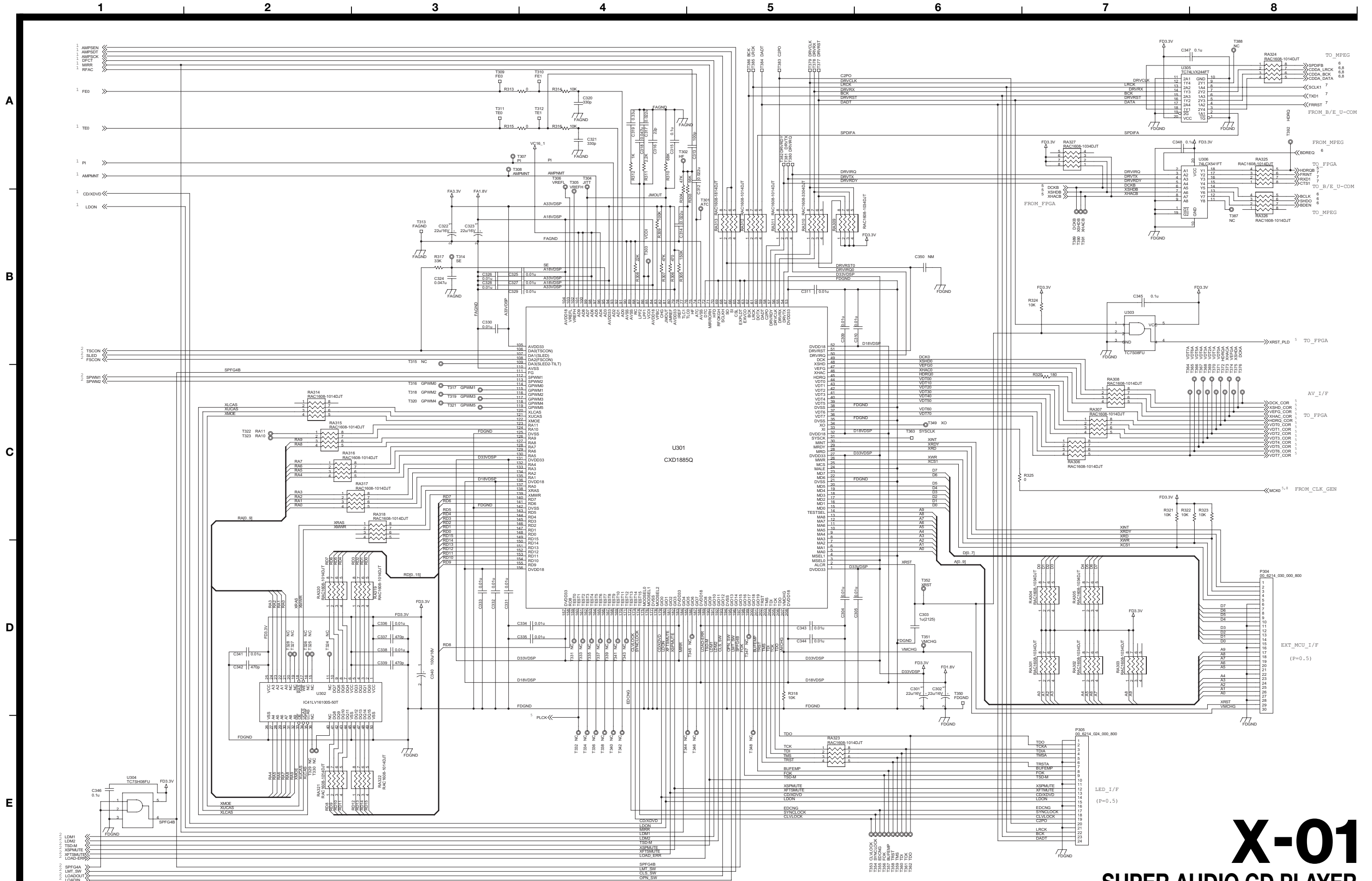


X-01

SUPER AUDIO CD PLAYER

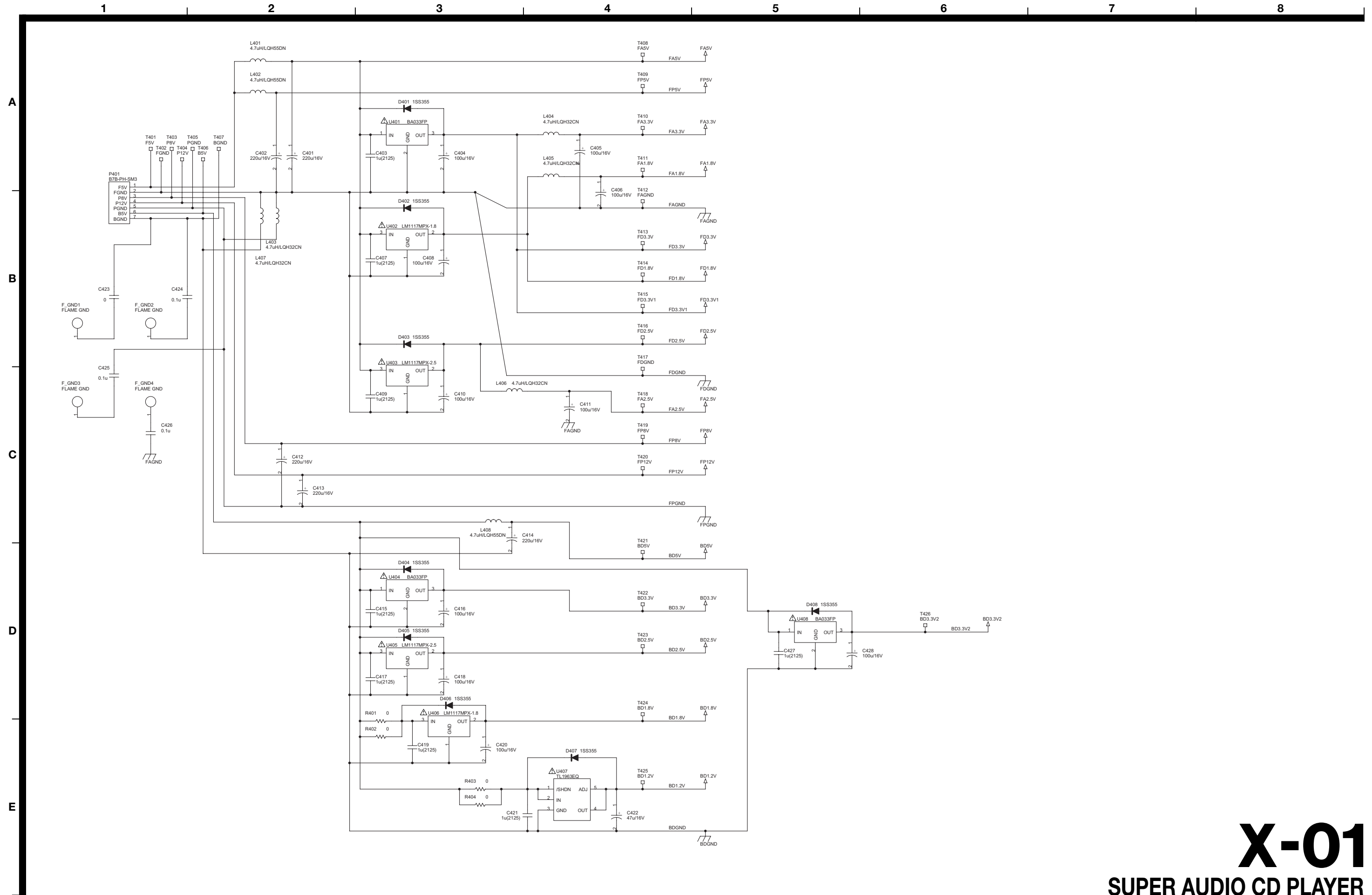
2nd Issue; August 2004

TEAC SCHEMATIC DIAGRAM X-01 CORE PCB (3/8) (DVD DECODER)



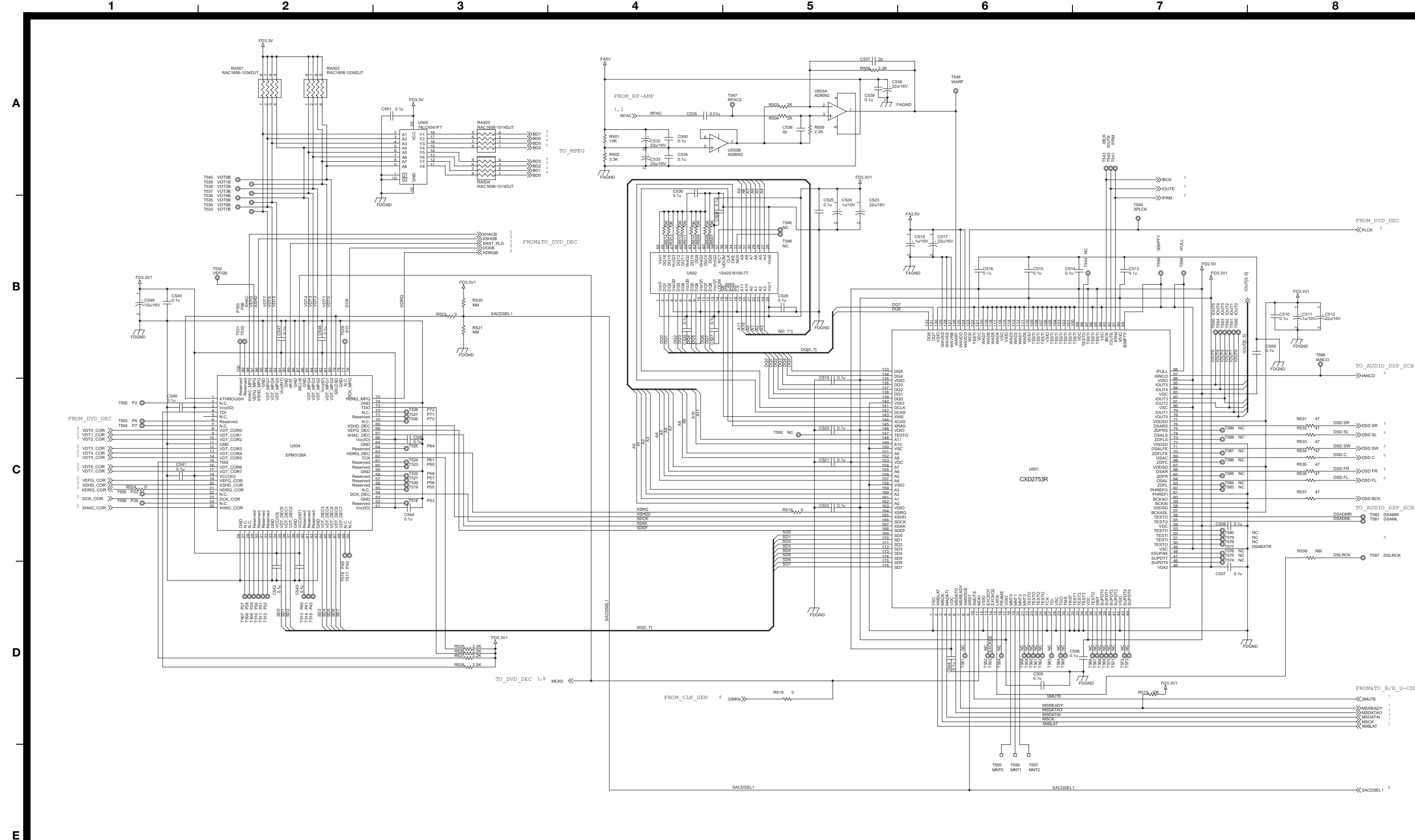
X-01
SUPER AUDIO CD PLAYER
 2nd Issue; August 2004

TEAC SCHEMATIC DIAGRAM X-01 CORE PCB (4/8) (POWER)

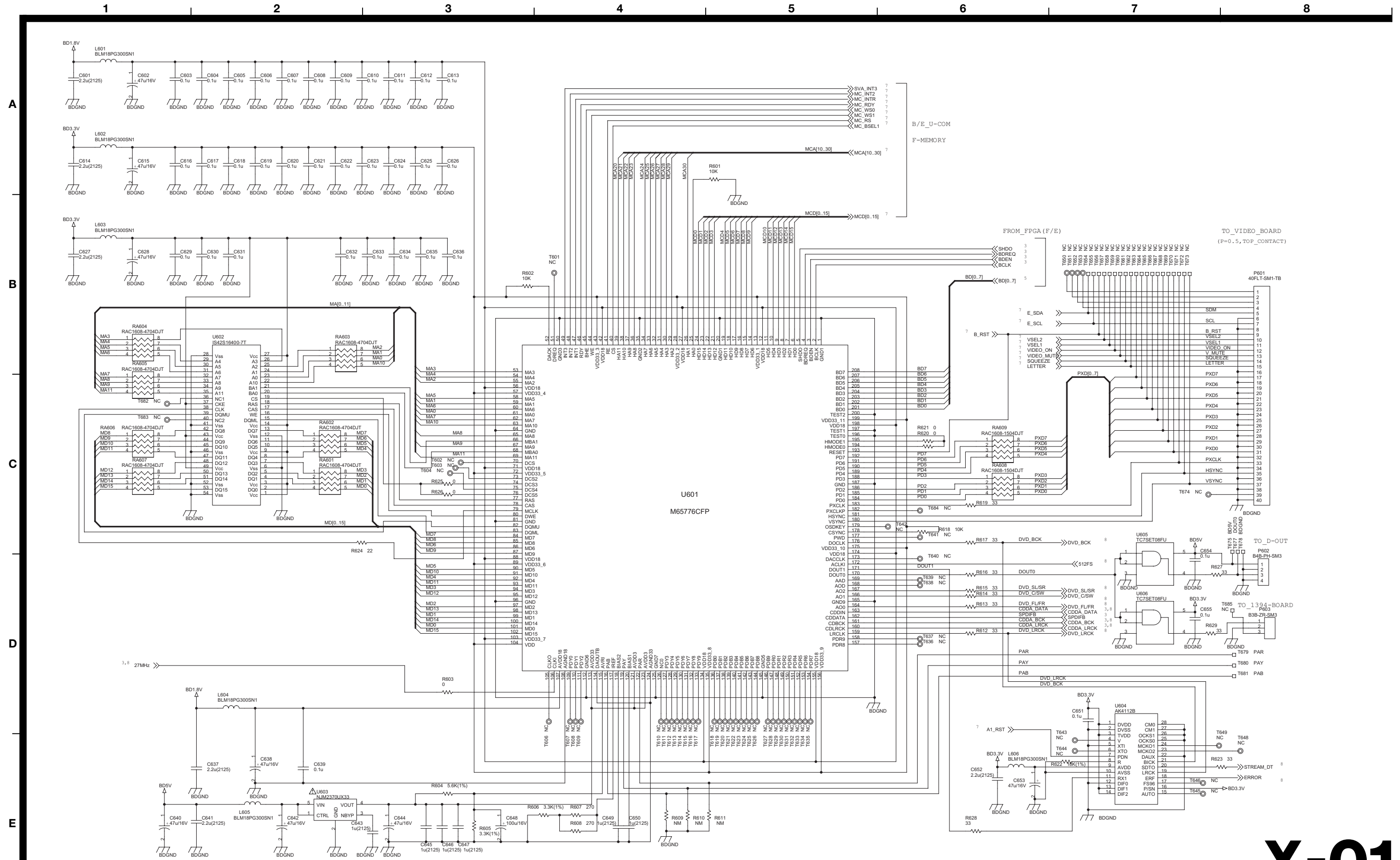


X-01
SUPER AUDIO CD PLAYER
 2nd Issue; August 2004

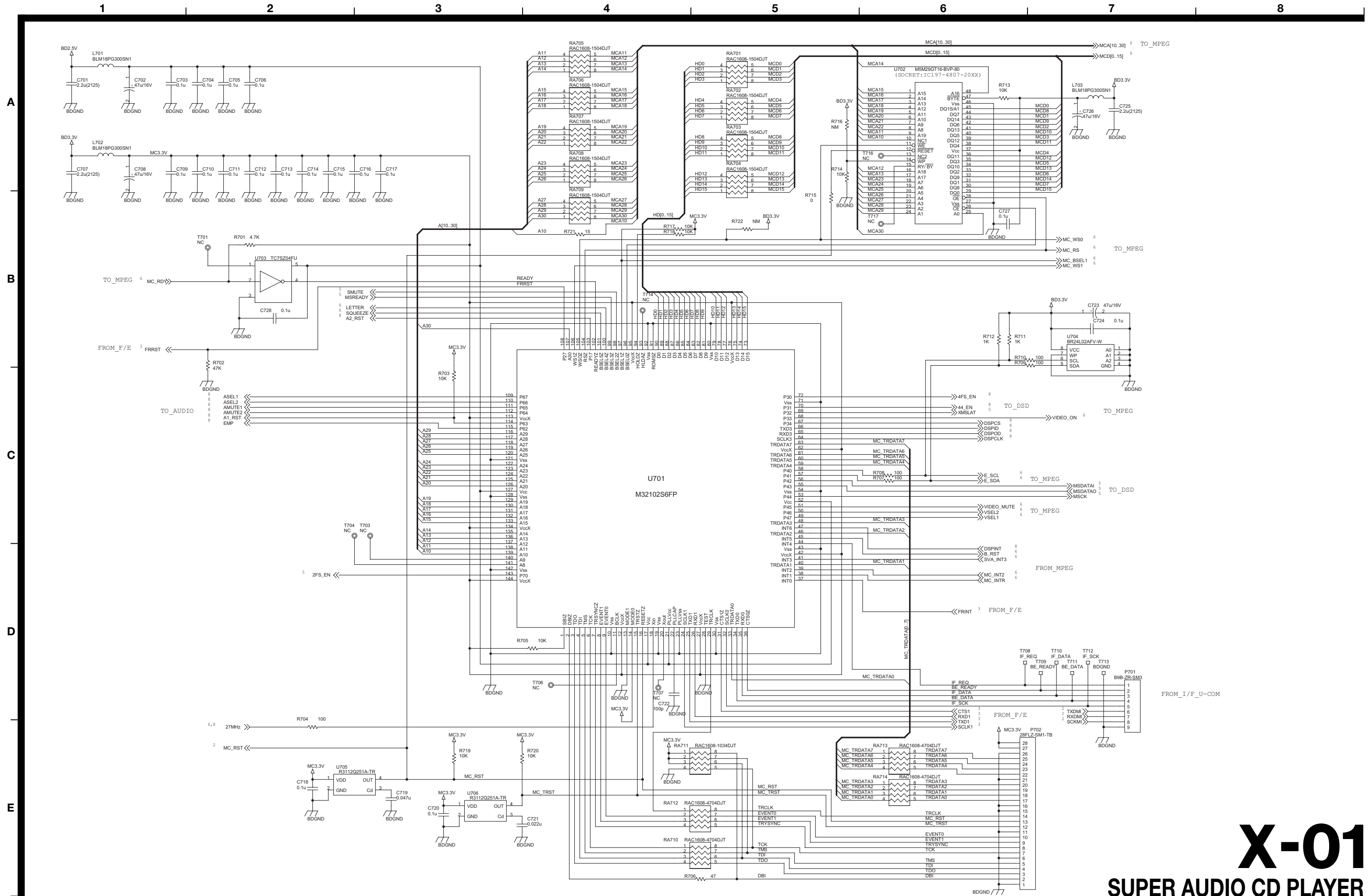
TEAC SCHEMATIC DIAGRAM X-01 CORE PCB (5/8) (DSD DECODER)



TEAC SCHEMATIC DIAGRAM X-01 CORE PCB (6/8) (MPEG DECODER)

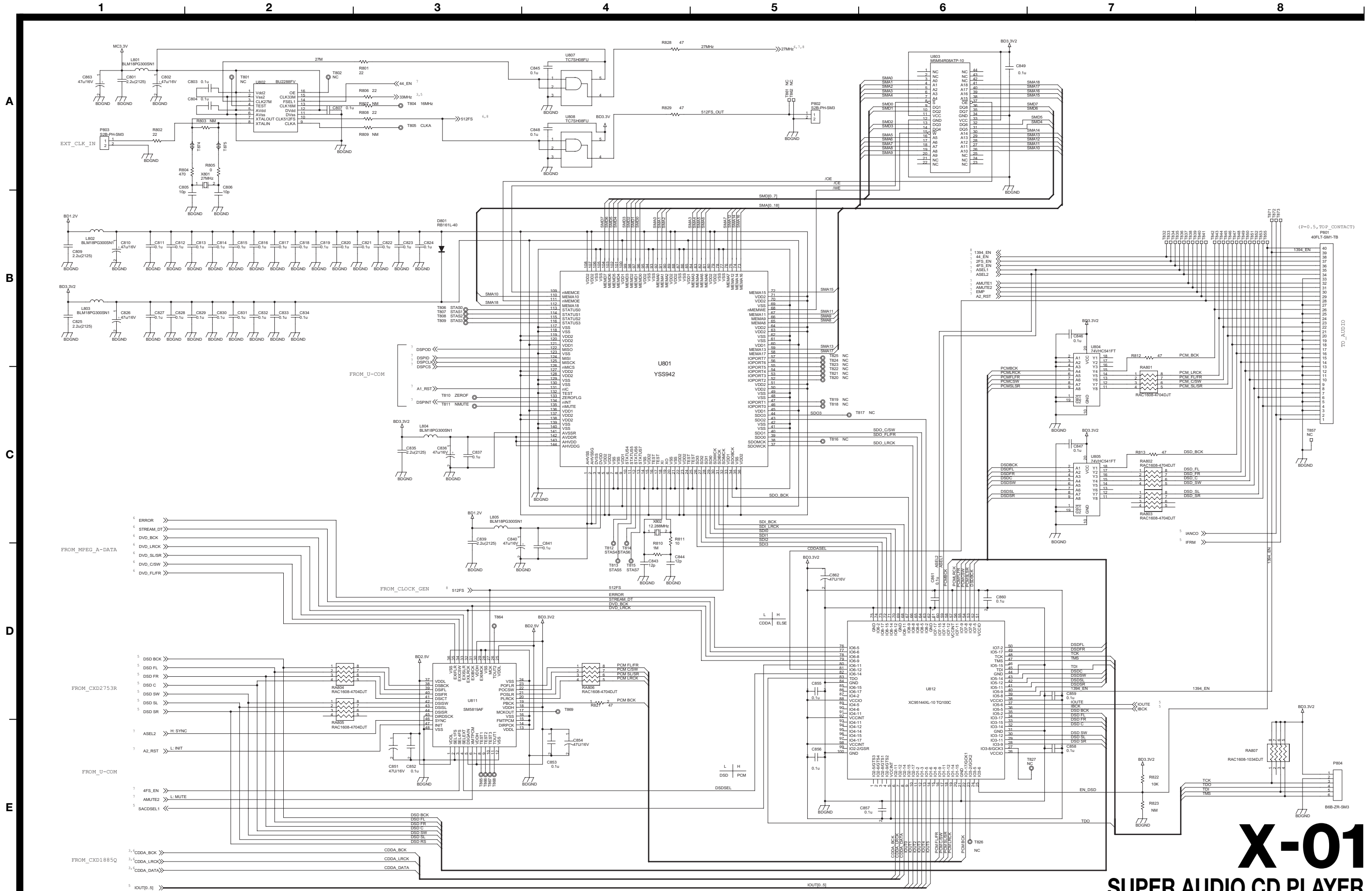


TEAC SCHEMATIC DIAGRAM X-01 CORE PCB (7/8) (B/E U-COM)



X-01
SUPER AUDIO CD PLAYER
 2nd Issue; August 2004

TEAC SCHEMATIC DIAGRAM X-01 CORE PCB (8/8) (AUDIO DSP)



X-01

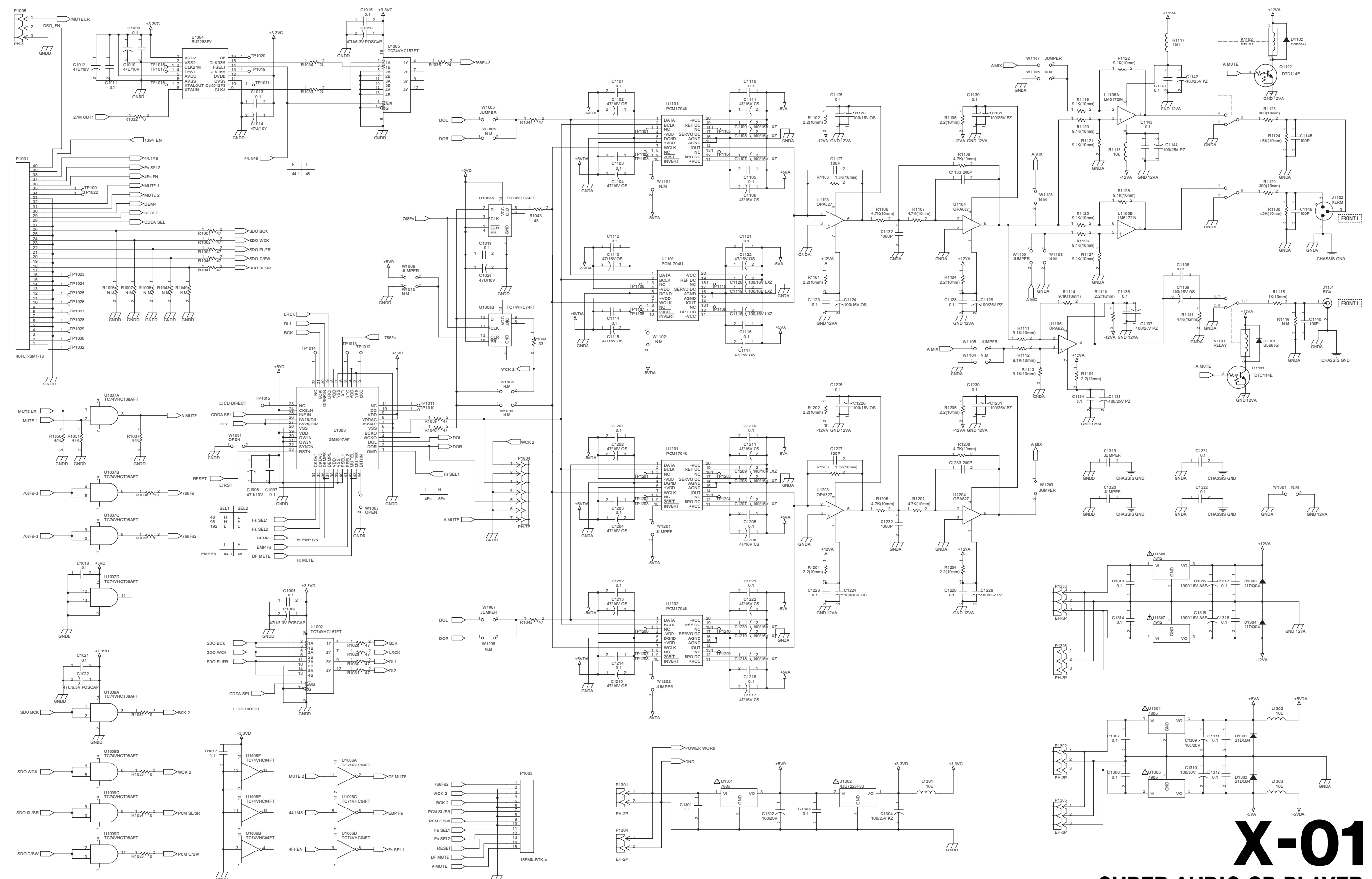
SUPER AUDIO CD PLAYER

2nd Issue; August 2004

TEAC SCHEMATIC DIAGRAM X-01 DAC 2CH L PCB (1/2)

1 2 3 4 5 6 7 8

A
B
C
D
E



X-01

SUPER AUDIO CD PLAYER

2nd Issue; August 2004

TEAC SCHEMATIC DIAGRAM X-01 DAC 2CH L PCB (2/2)

1 2 3 4 5 6 7 8

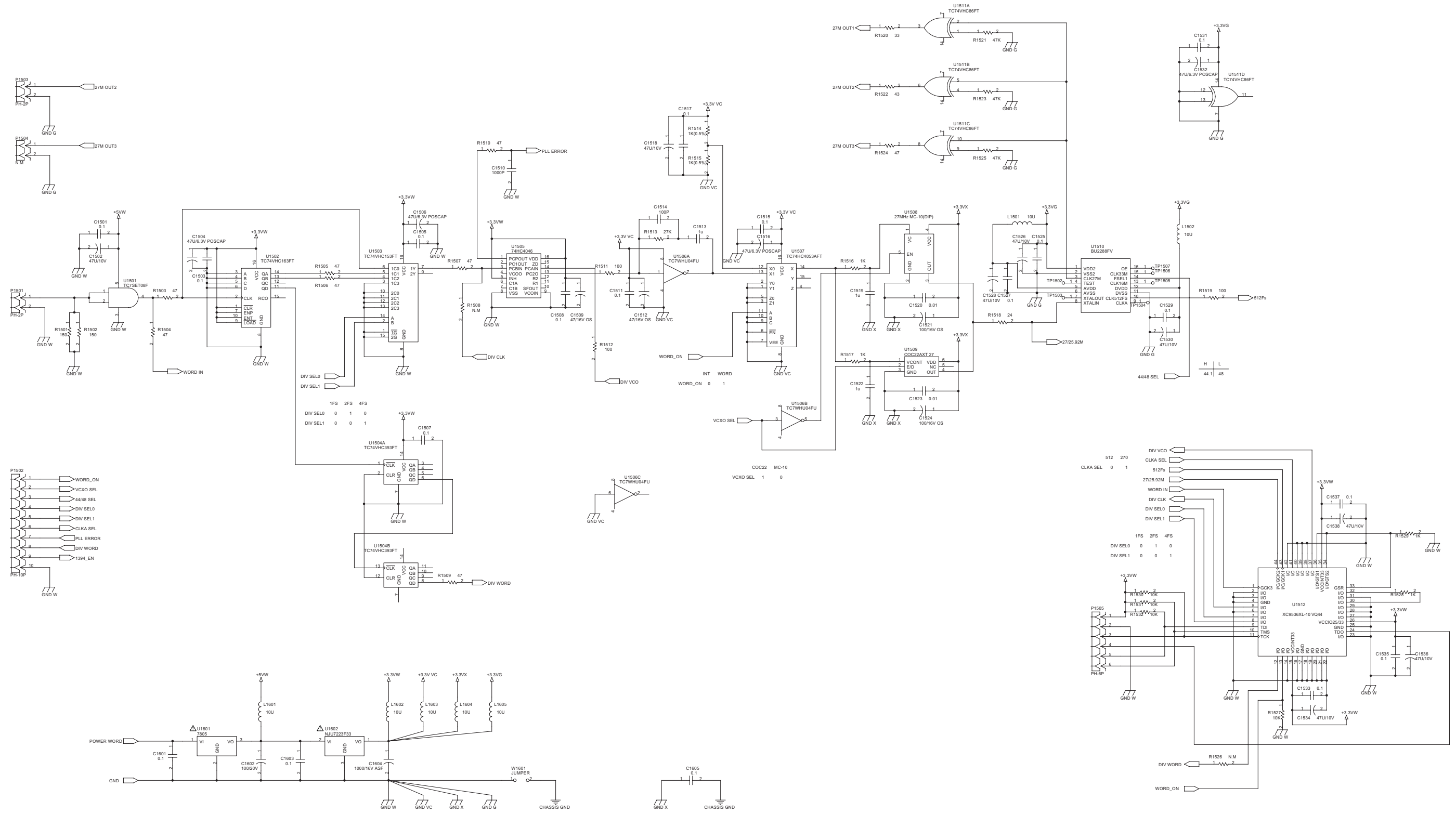
A

B

C

D

E



X-01

SUPER AUDIO CD PLAYER

2nd Issue; August 2004

TEAC SCHEMATIC DIAGRAM X-01 DAC 2CH R PCB

1 2 3 4 5 6 7 8

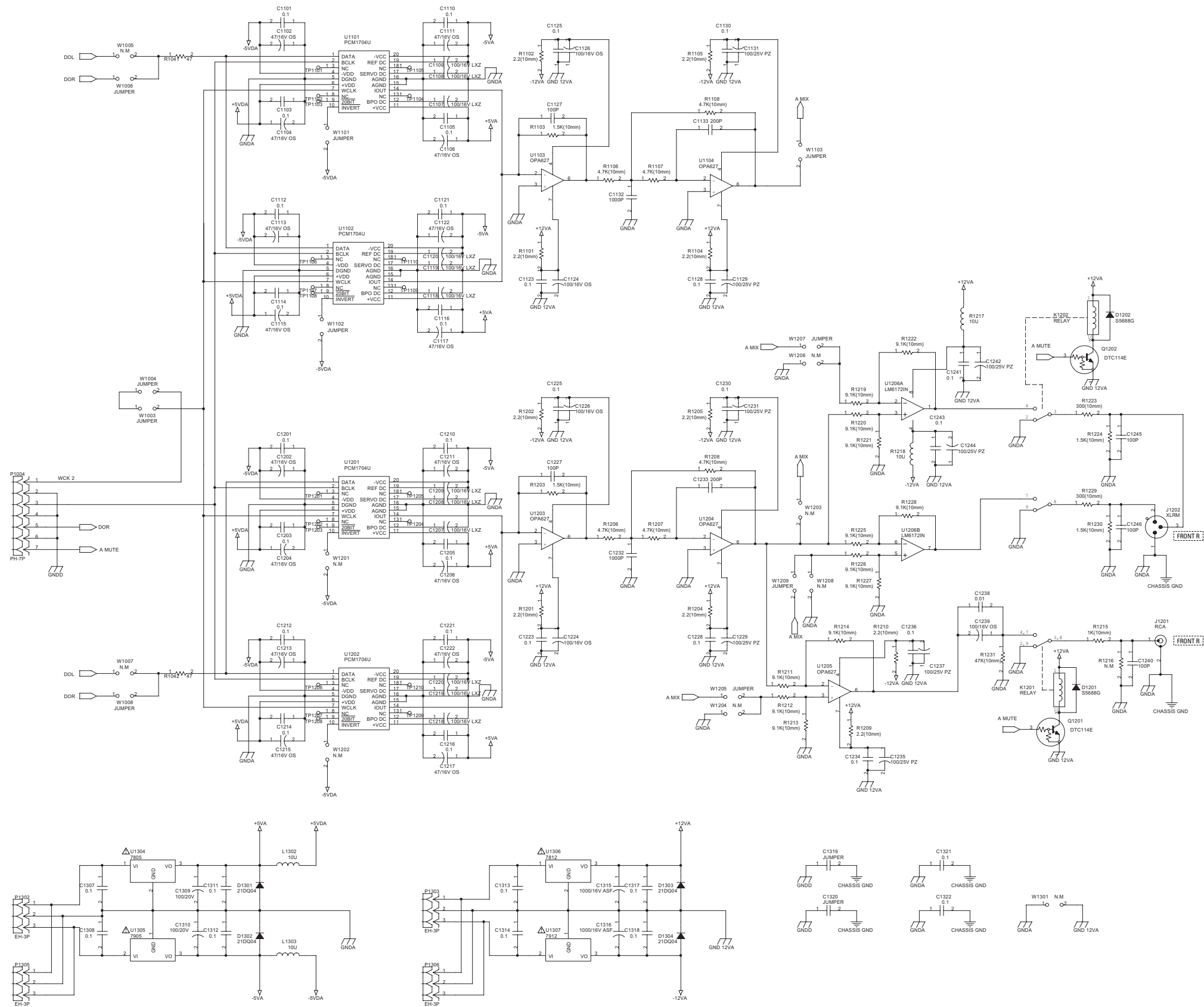
A

B

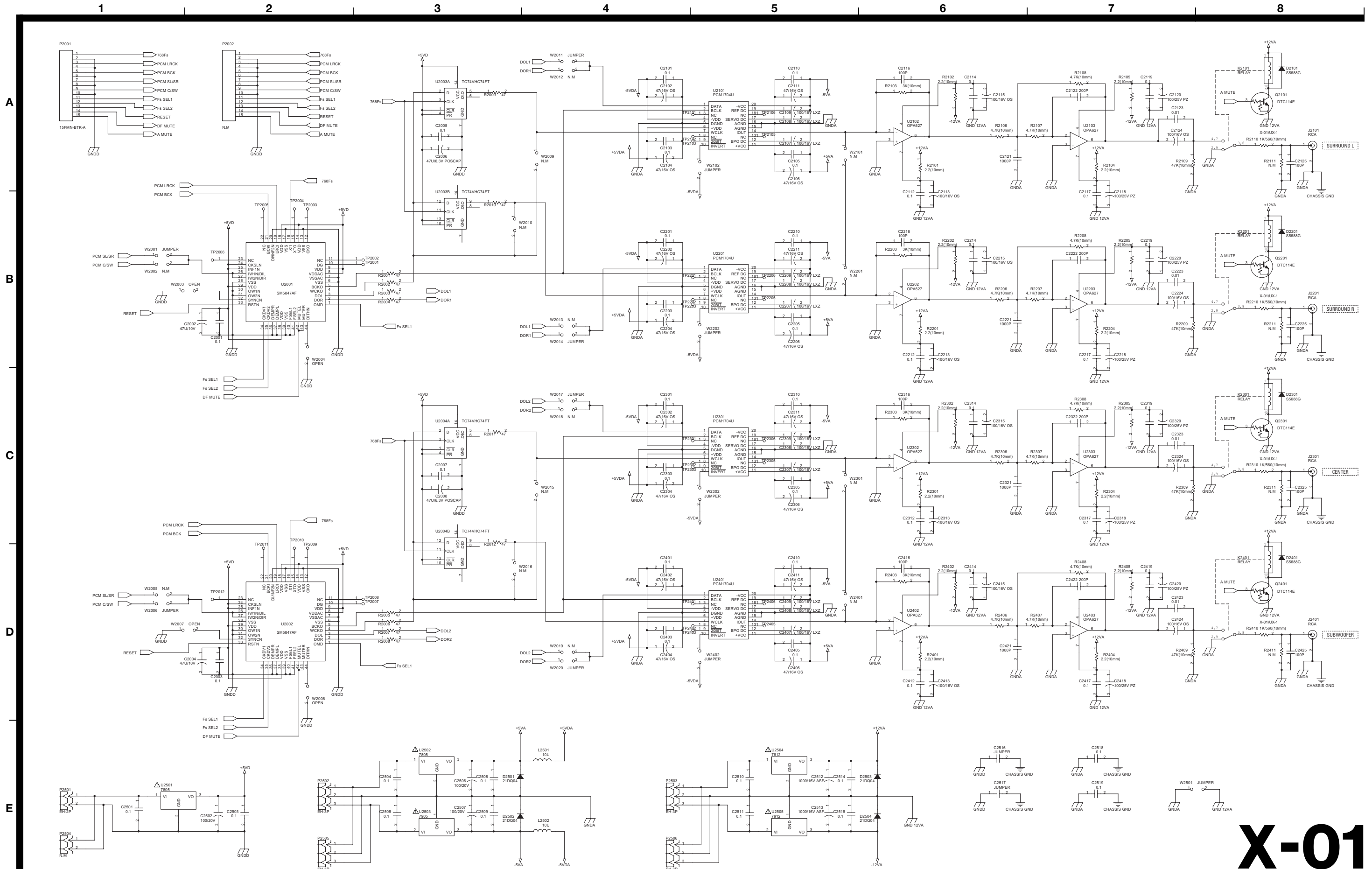
C

D

E



TEAC SCHEMATIC DIAGRAM X-01 DAC 4CH PCB



X-01

SUPER AUDIO CD PLAYER

2nd Issue; August 2004

TEAC SCHEMATIC DIAGRAM **X-01** D-OUT PCB

1 2 3 4 5 6 7 8

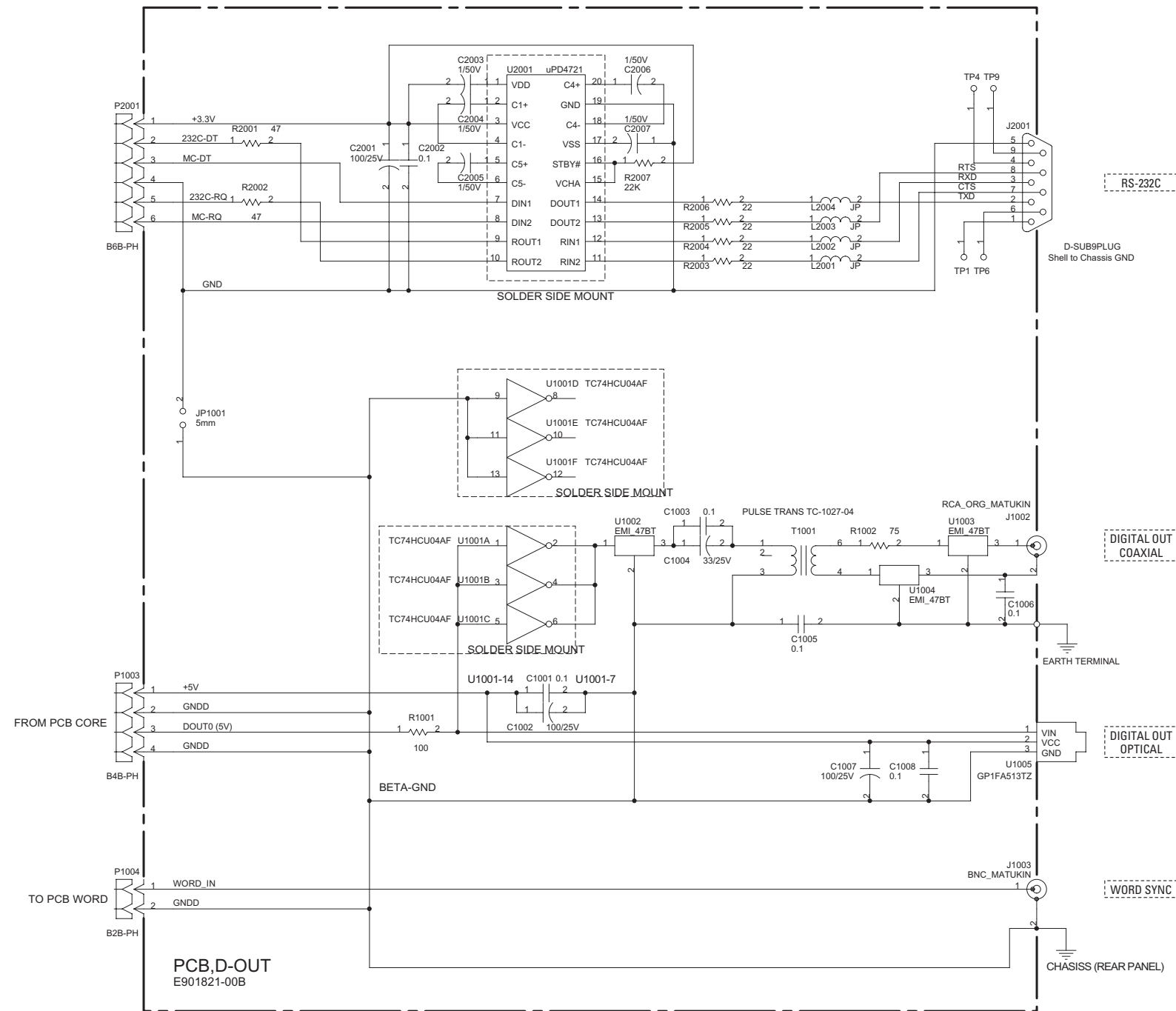
A

B

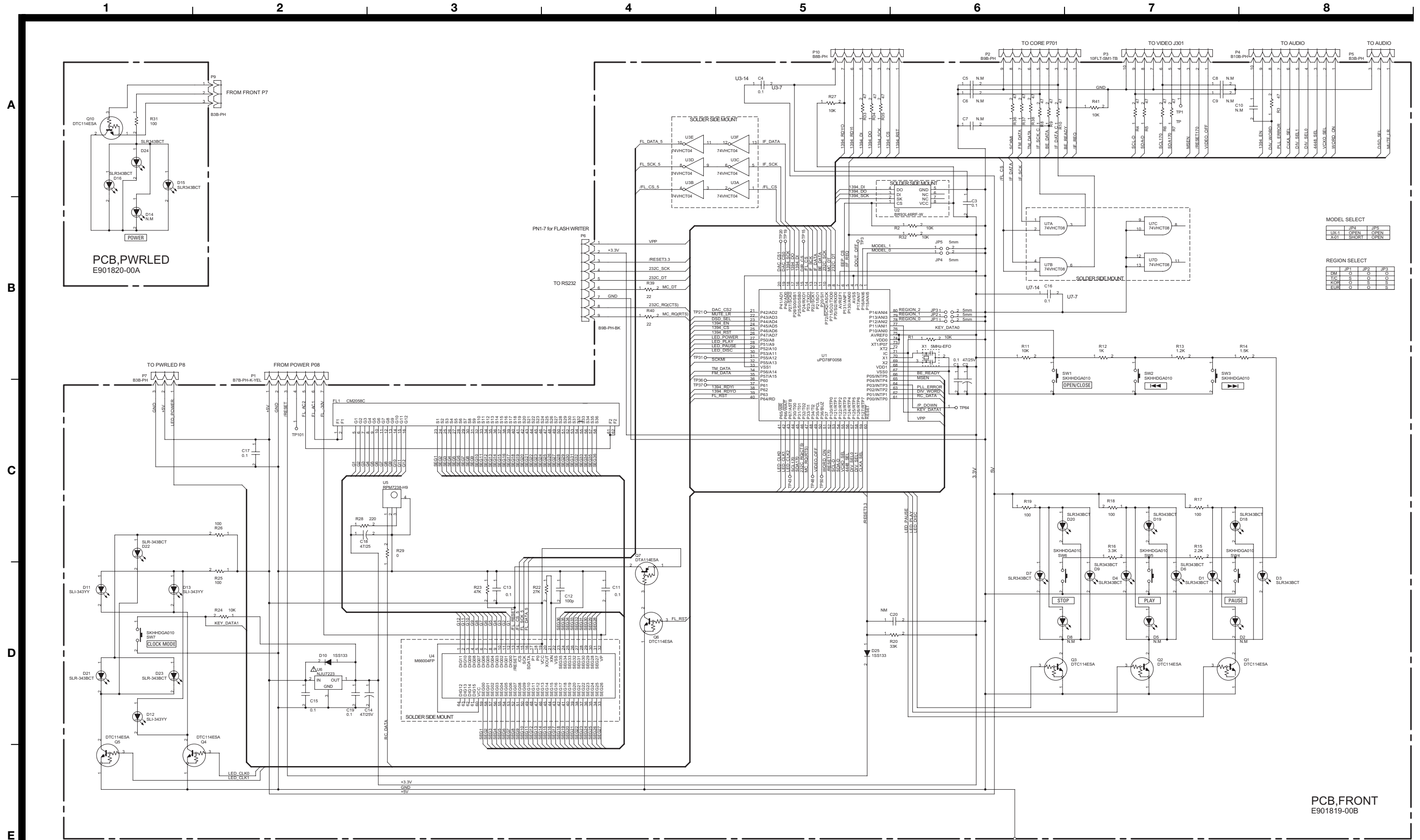
C

D

E



TEAC SCHEMATIC DIAGRAM X-01 FRONT PCB, PWRLD PCB



MODEL SELECT

UX-1	JR1	JPS
	OPEN	OPEN
X-01	SHORT	OPEN

REGION SELECT

DM	JR1	JR2	JR3
TPC	O	O	O
FLR	O	O	O

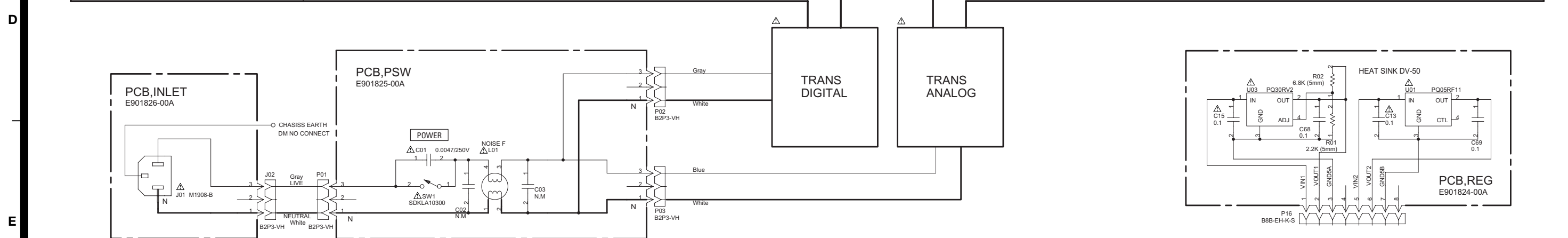
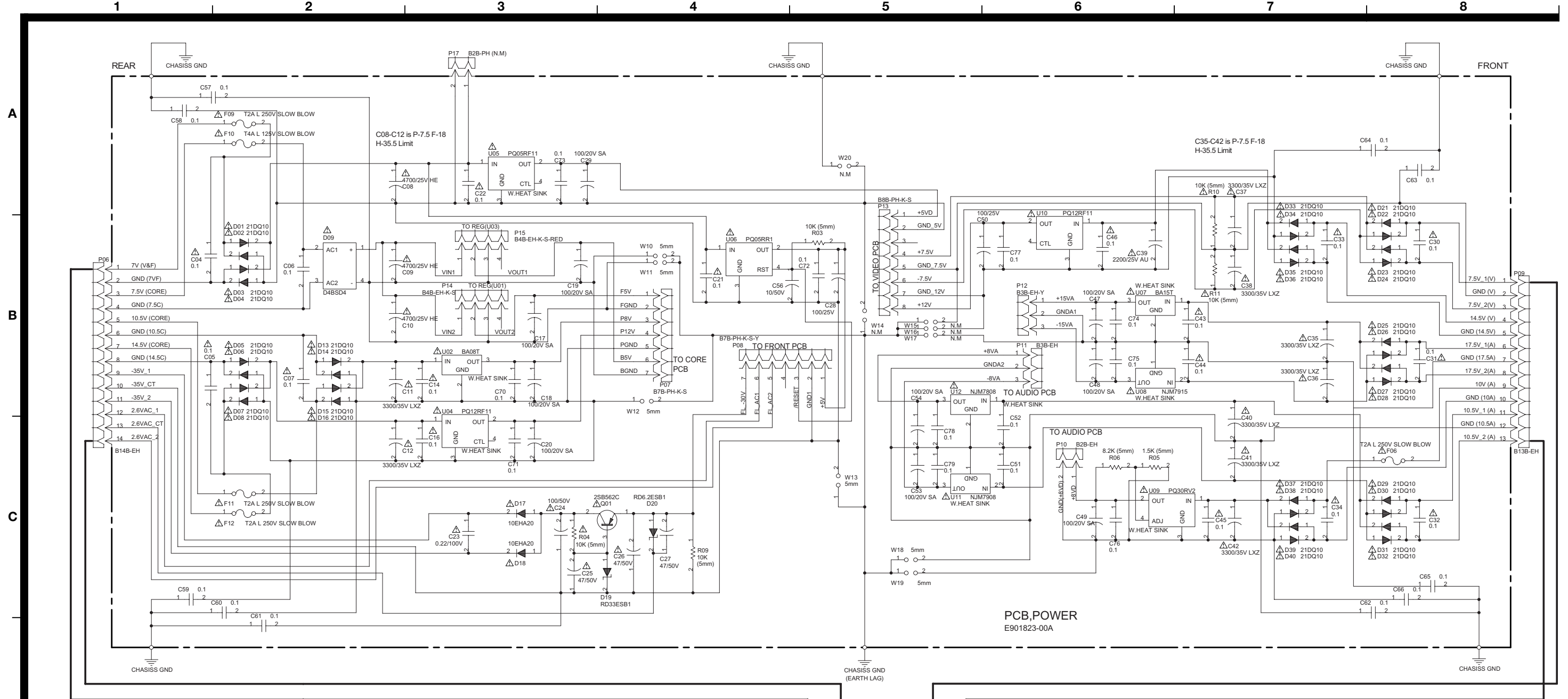
PCB, FRONT
E901819-00B

X-01

SUPER AUDIO CD PLAYER

2nd Issue; August 2004

TEAC SCHEMATIC DIAGRAM X-01 POWER PCB, INLET PCB, PSW PCB, REG PCB



INSTRUCTIONS FOR SERVICE PERSONNEL
BEFORE RETURNING APPLIANCE TO THE CUSTOMER, MAKE LEAKAGE-CURRENT OR RESISTANCE MEASUREMENTS TO DETERMINE THAT EXPOSED PARTS ARE ACCEPTABLY INSULATED FROM THE SUPPLY CIRCUIT.

NOTES:
 1. Resistor values are in ohms (k=kilo-ohms, M=megohms).
 2. Capacitor values are in microfarads (p=picofarads).
 3. Δ Parts marked with this sign are safety critical components. They must always be replaced with identical components-refer to the appropriate parts list and ensure exact replacement.

注意
 1. 抵抗の単位は Ω (k=k Ω , M=M Ω) です。
 2. コンデンサの単位は μF (p=pF) です。
 3. Δ マークのある部品は安全規格重要部品です。交換するときは必ずテック指定の部品を使用してください。

X-01

SUPER AUDIO CD PLAYER

2nd Issue; August 2004