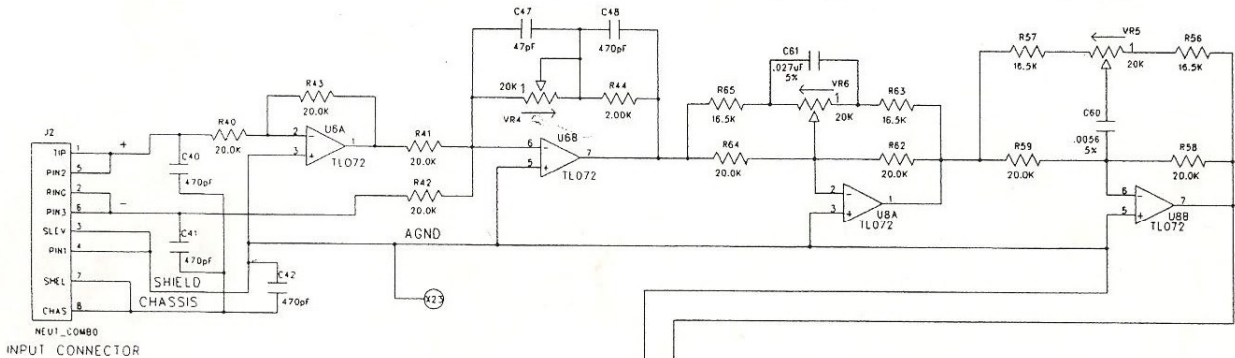


SIGNAL INPUT

INPUT AMP/LEVEL CONTROL

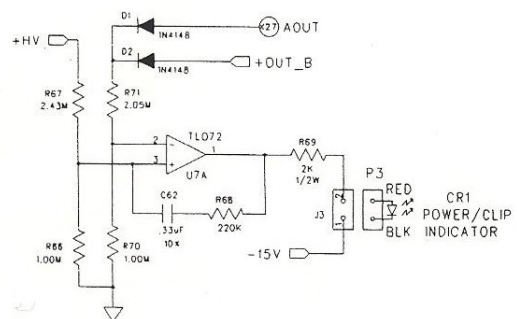
LF TRIM

HF TRIM

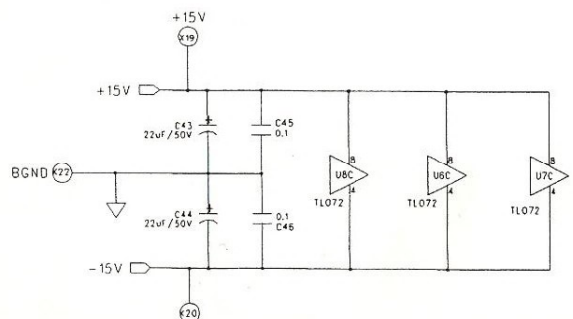


INPUT CONNECTOR

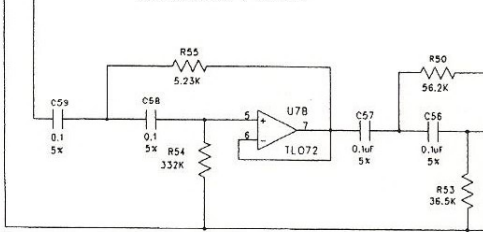
LED DRIVER



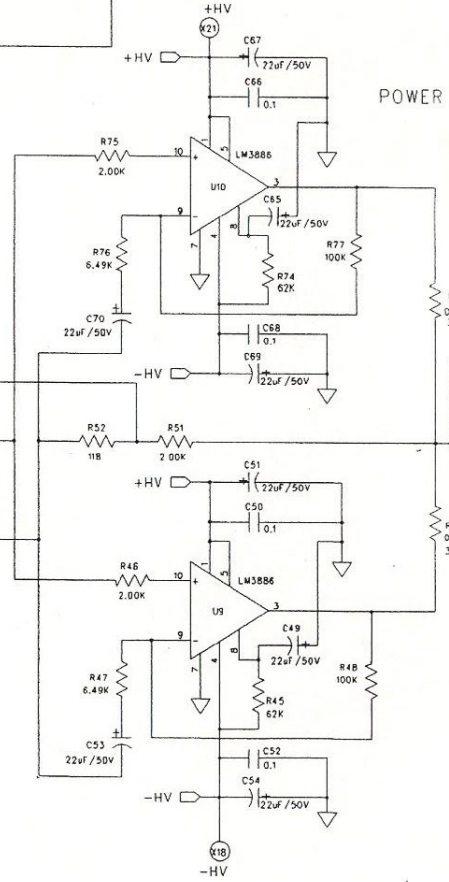
POWER SUPPLY



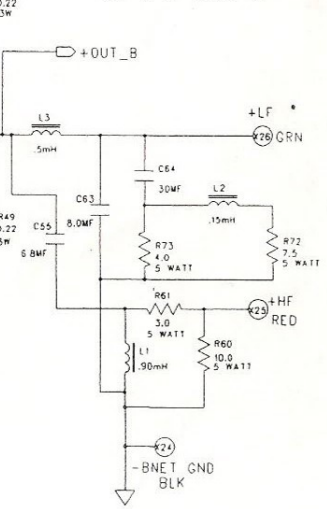
SUBSONIC FILTER



POWER AMPLIFIER



PASSIVE CROSSOVER



20/20p AMPLIFIER SCHEMATIC  
1172 AMP-B