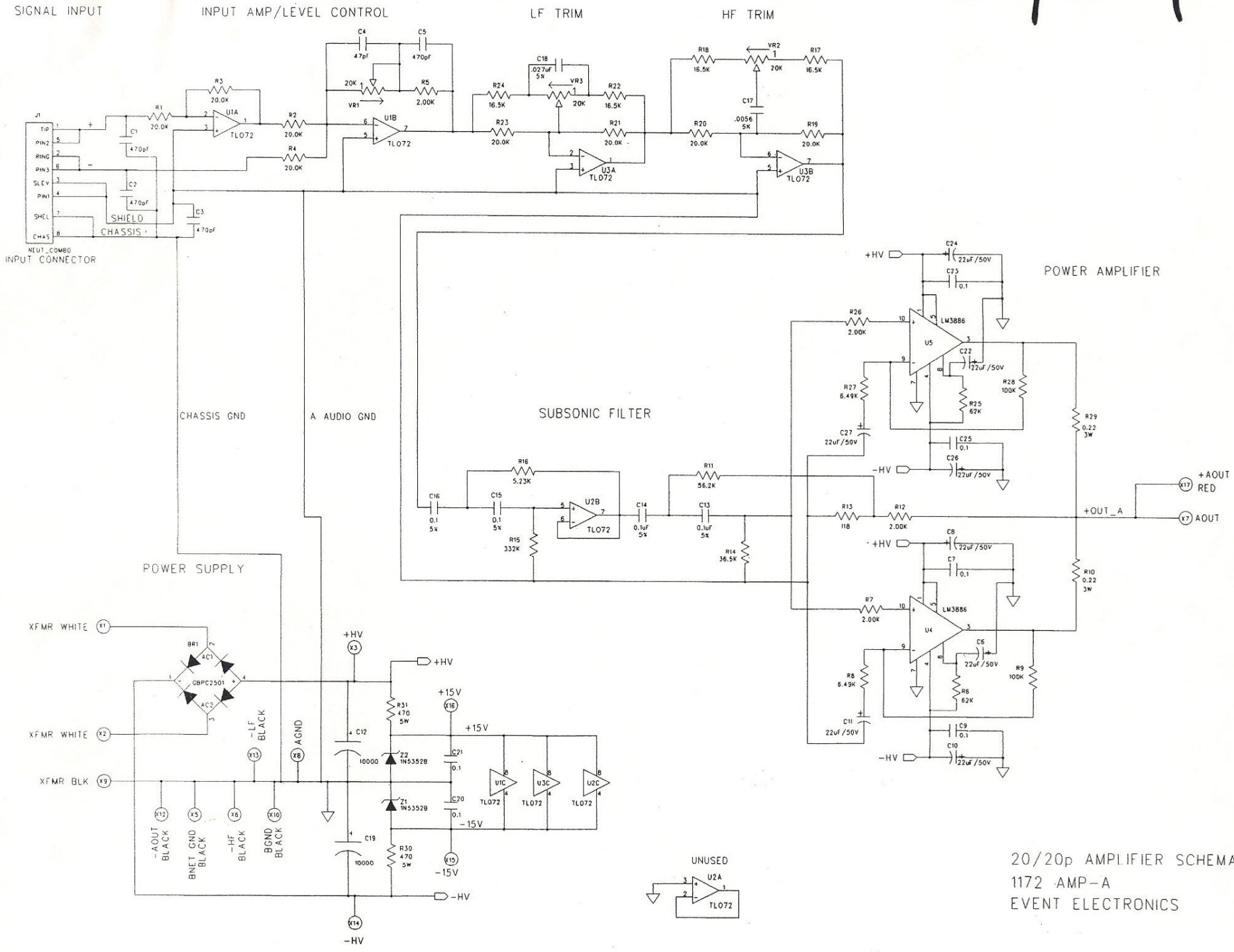


20/20p



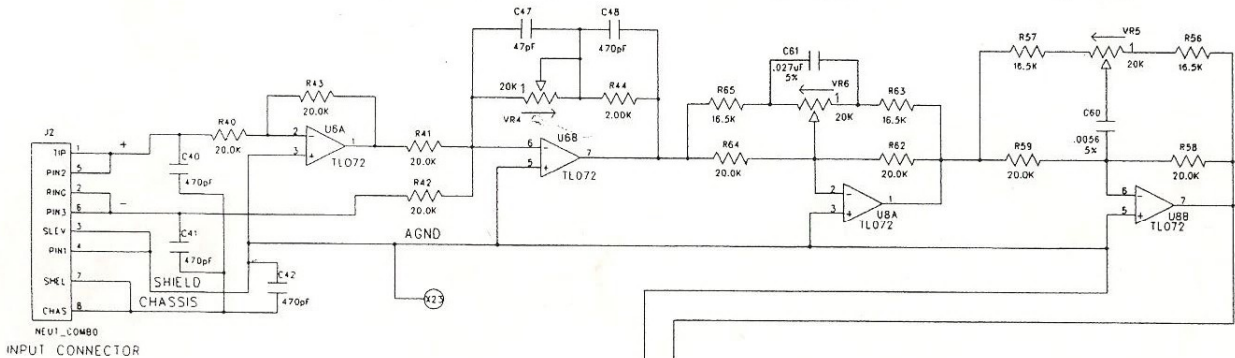
20/20p AMPLIFIER SCHEMATIC
1172 AMP-A
EVENT ELECTRONICS

SIGNAL INPUT

INPUT AMP/LEVEL CONTROL

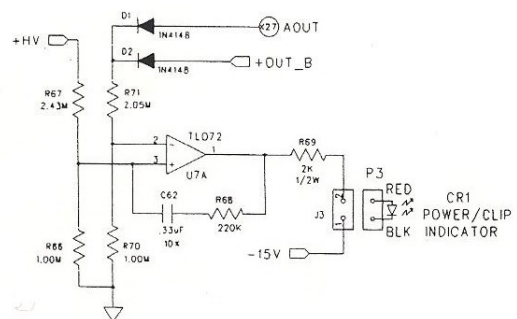
LF TRIM

HF TRIM

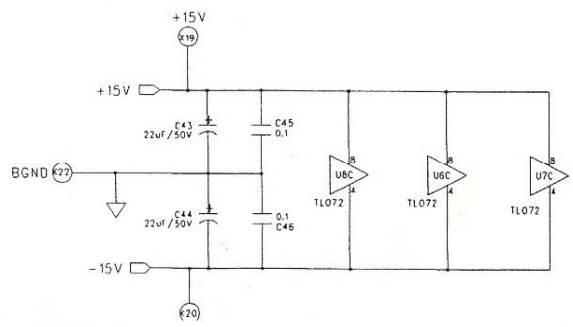


INPUT CONNECTOR

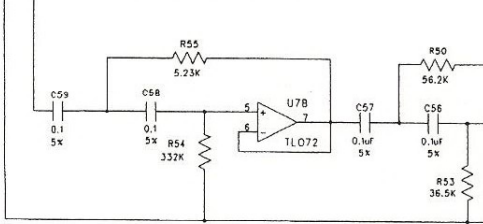
LED DRIVER



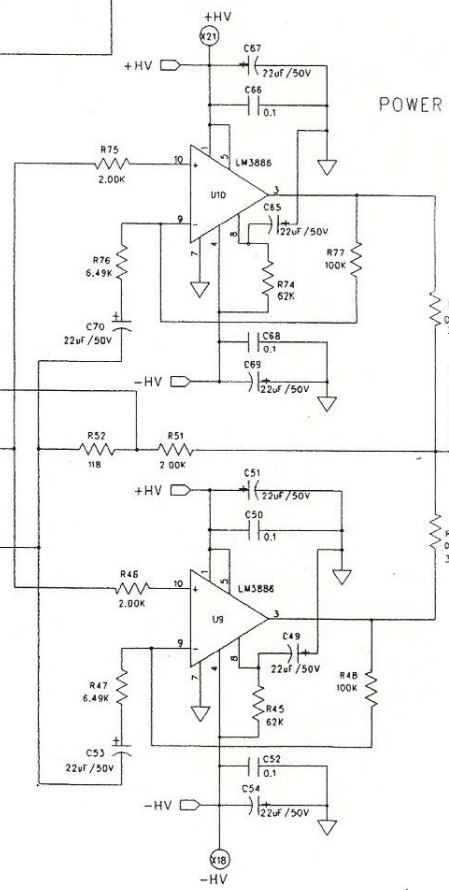
POWER SUPPLY



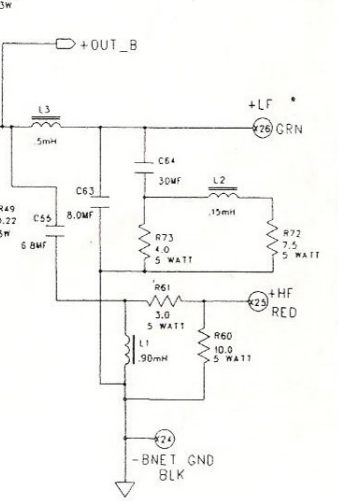
SUBSONIC FILTER



POWER AMPLIFIER



PASSIVE CROSSOVER



20/20p AMPLIFIER SCHEMATIC
1172 AMP-B