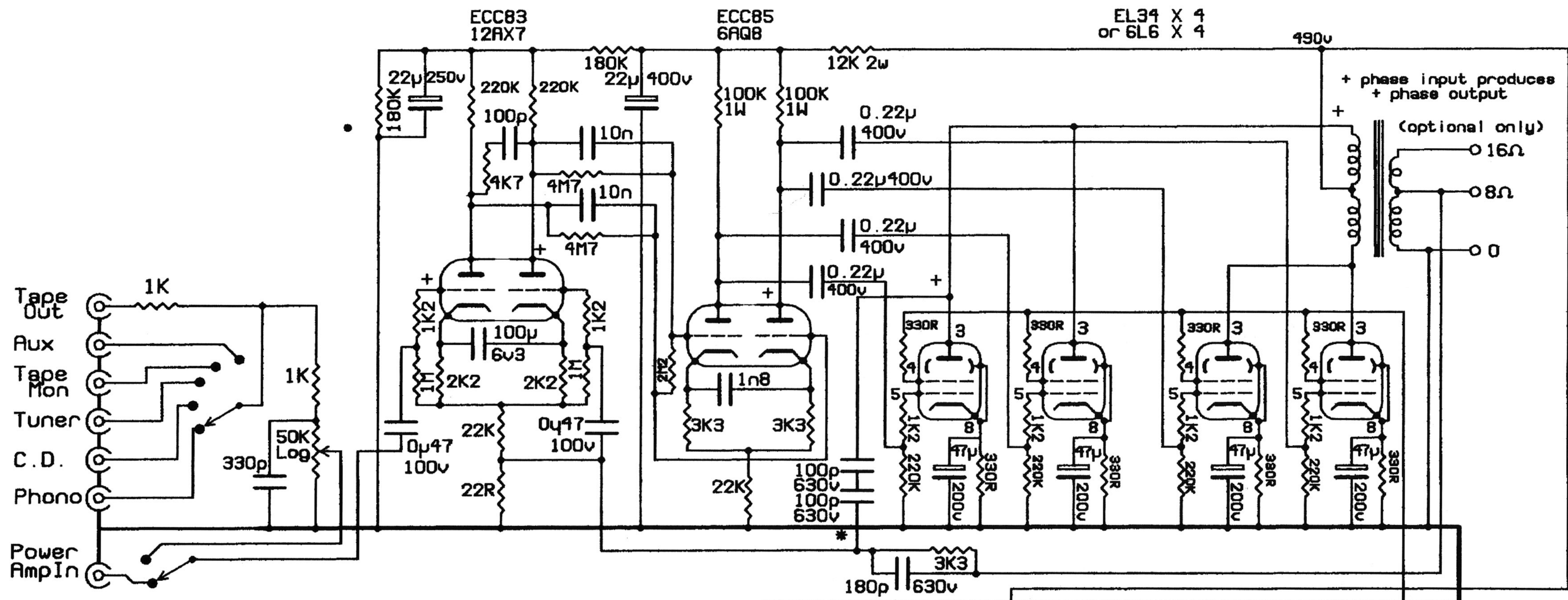


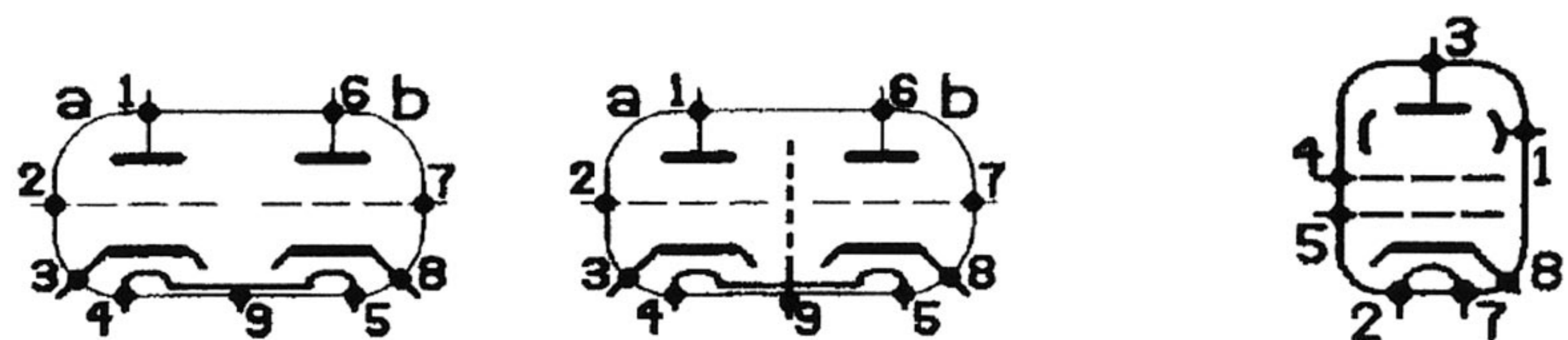
EAR 8L6

SPECIFICATION

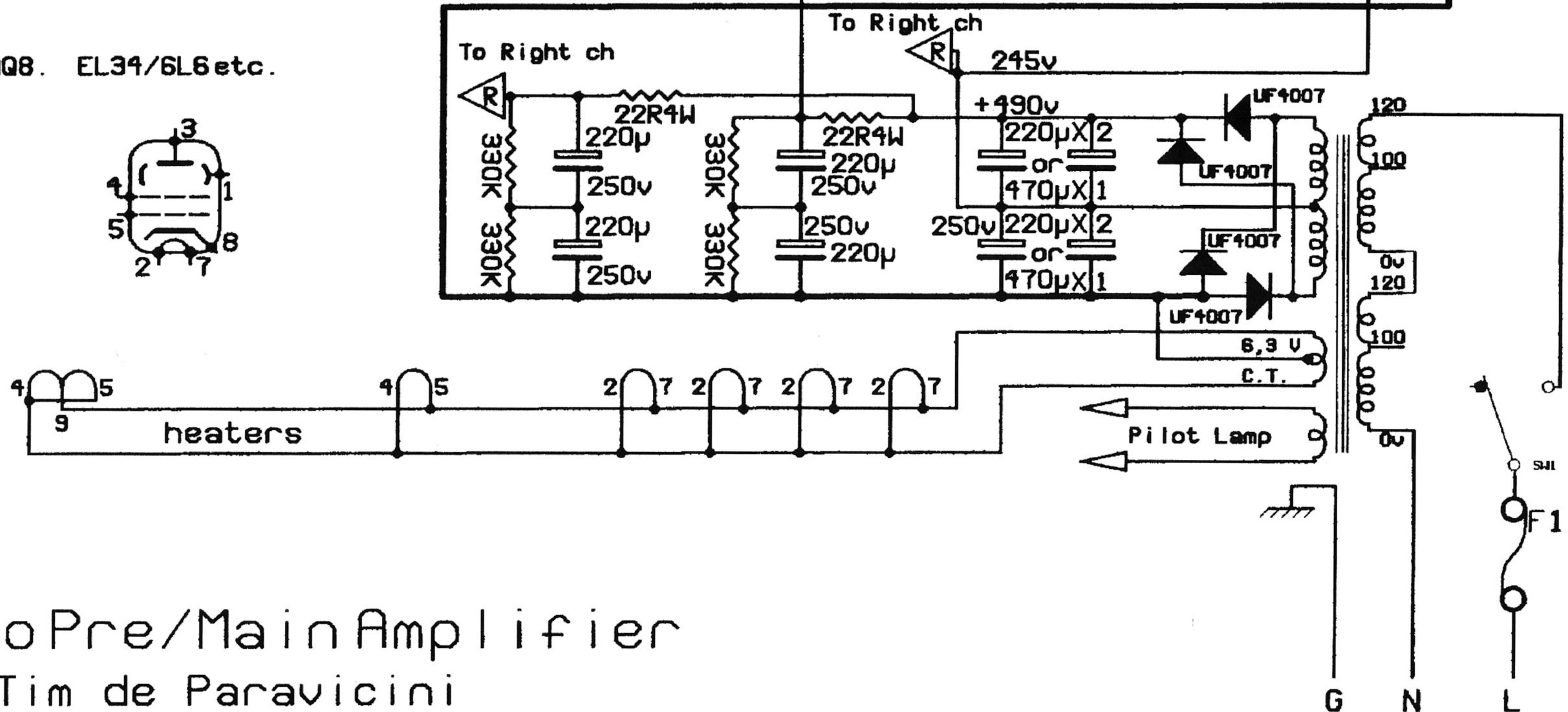
<i>Power Output</i>	<i>50 watts/channel (30Hz-15kHz at 1% THD into rated load)</i>
<i>Power Bandwidth</i>	<i>15Hz-40kHz at less than 3% THD</i>
<i>I.M.D.</i>	<i>less than 1% at any level from 10mW to 50 Watts</i>
<i>Output Damping Factor</i>	<i>12</i>
<i>Signal to Noise Ratio</i>	<i>85dB</i>
<i>Input Sensitivity</i>	<i>200 mV</i>
<i>Input Impedance</i>	<i>47k Ohms</i>
<i>Power Consumption</i>	<i>200 watts total</i>
<i>Weight</i>	<i>20kg</i>
<i>Size</i>	<i>W 16" (405mm) D 16" (405mm) H 6" (150mm)</i>
<i>Valves List</i>	<i>2 x ECC83 2 x ECC85 8 x 6L6 (EL34)</i>



V1L-1R = ECC83/12AX7. V2L-2R = ECC85/6AQ8. EL34/6L6 etc.



All Resistors are 1/4w unless specified.



YOSHINO 8L6 Stereo Pre/Main Amplifier
 Designed and Drawn by Tim de Paravicini