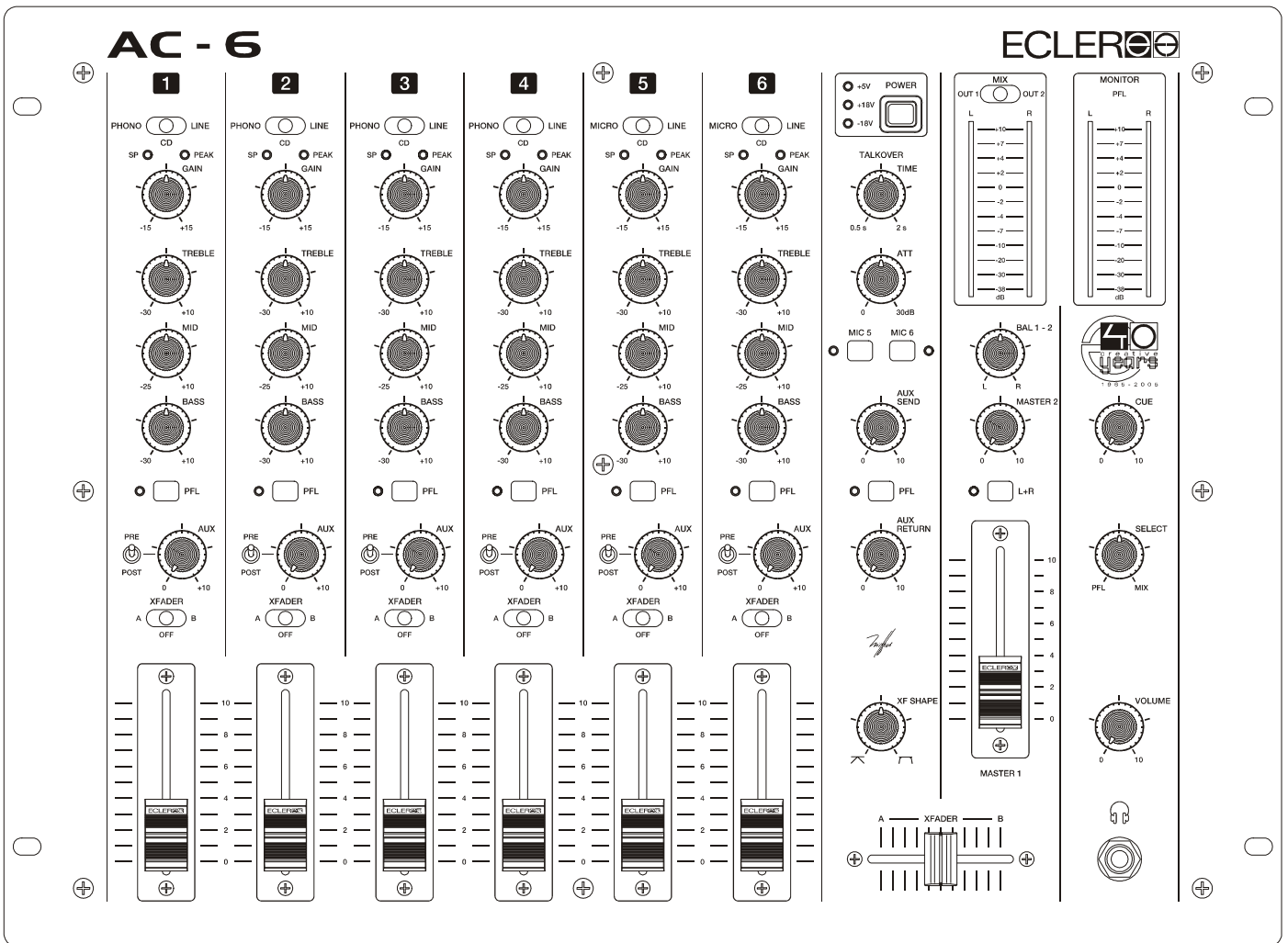


# AC-6

## SERVICE MANUAL



# ECLEREE

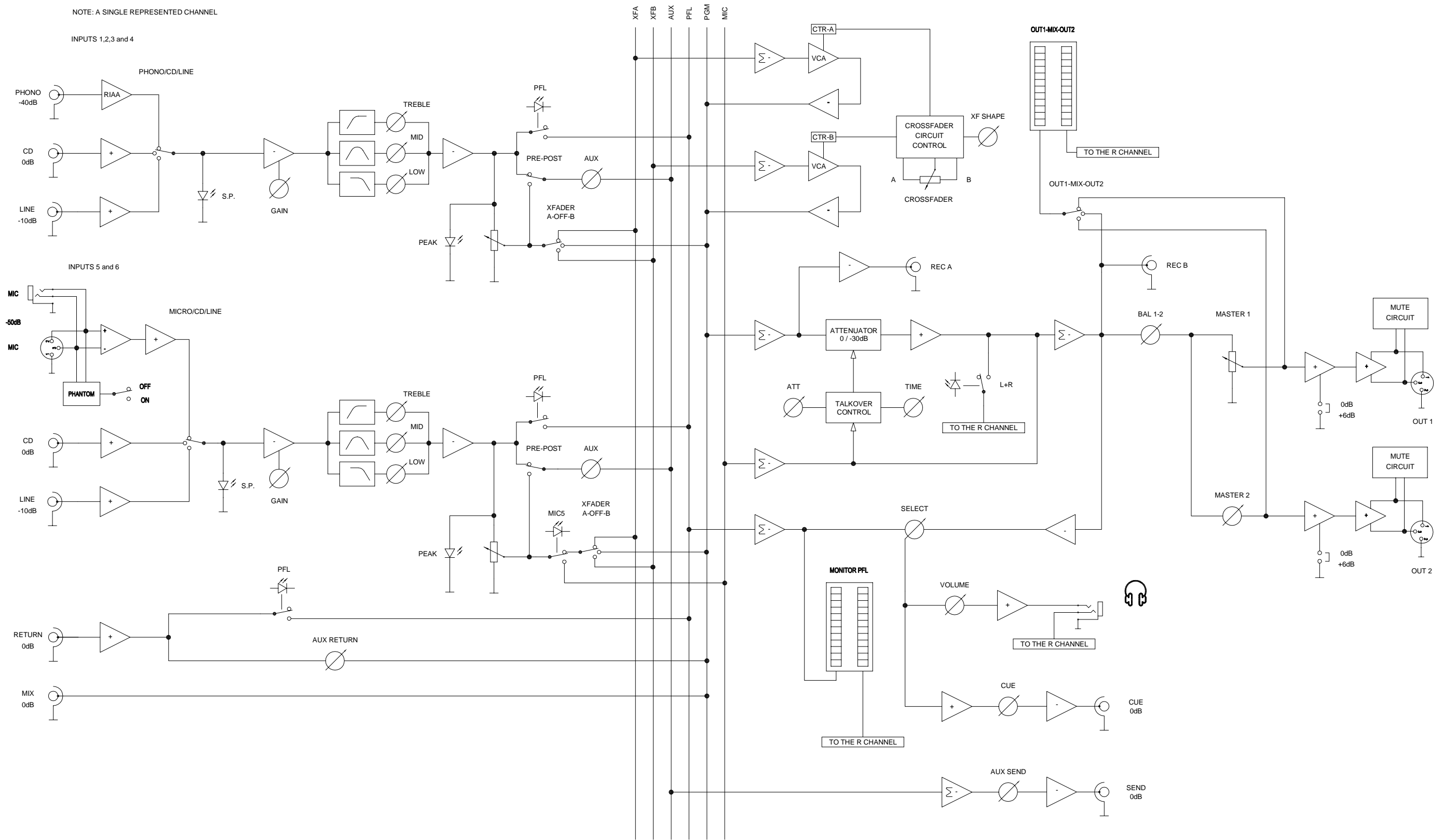
## AUDIO CREATIVE POWER

# SERVICE MANUAL AC-6

## INDEX

- BLOCK DIAGRAM
- SCHEMATICS
- COMPONENTS LOCATION SCHEMA
- TESTING AND QUALITY CONTROL
- TECHNICAL CHARACTERISTICS
- WIRING DIAGRAM
- CONFIGURATION DIAGRAM
- MECHANICAL DIAGRAM
- PACKING DIAGRAM

NOTE: A SINGLE REPRESENTED CHANNEL



drawn: *Joan Queralt*  
approved:

date: *060323*  
title:

project:

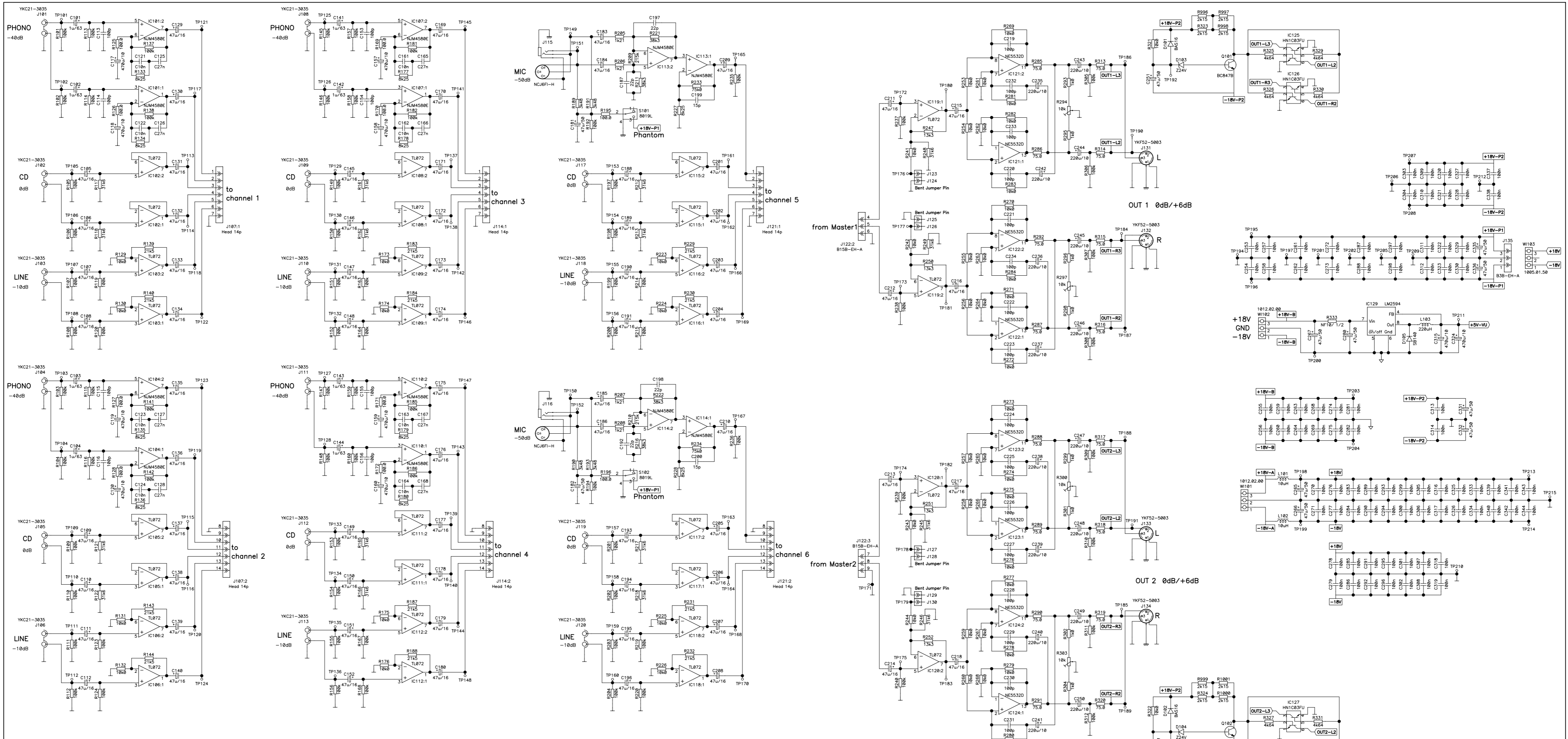
*M10-05*

product:

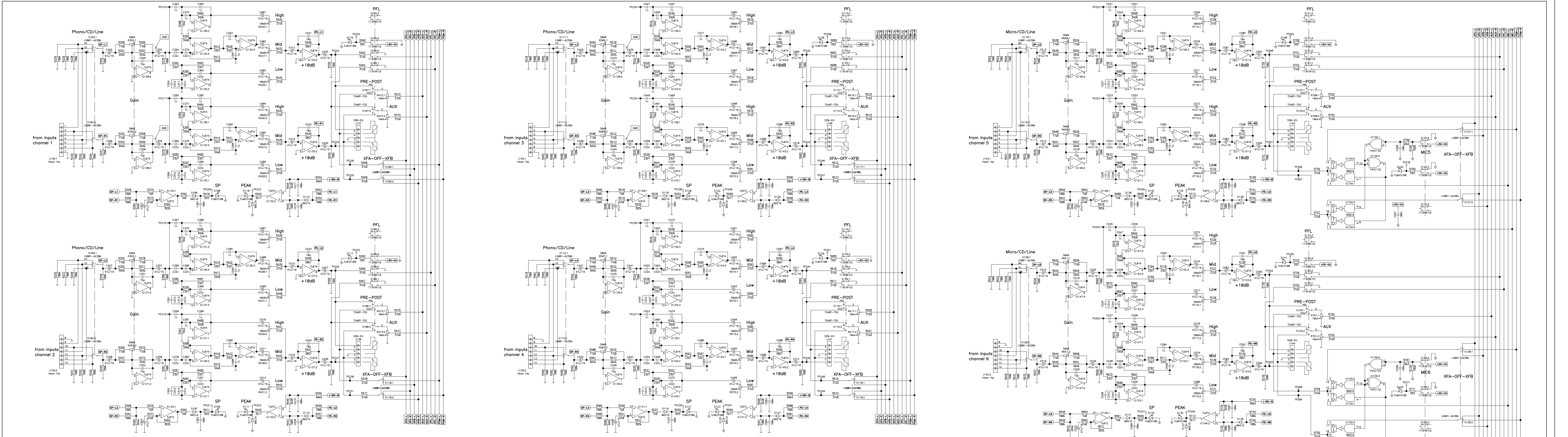
*AC-6*

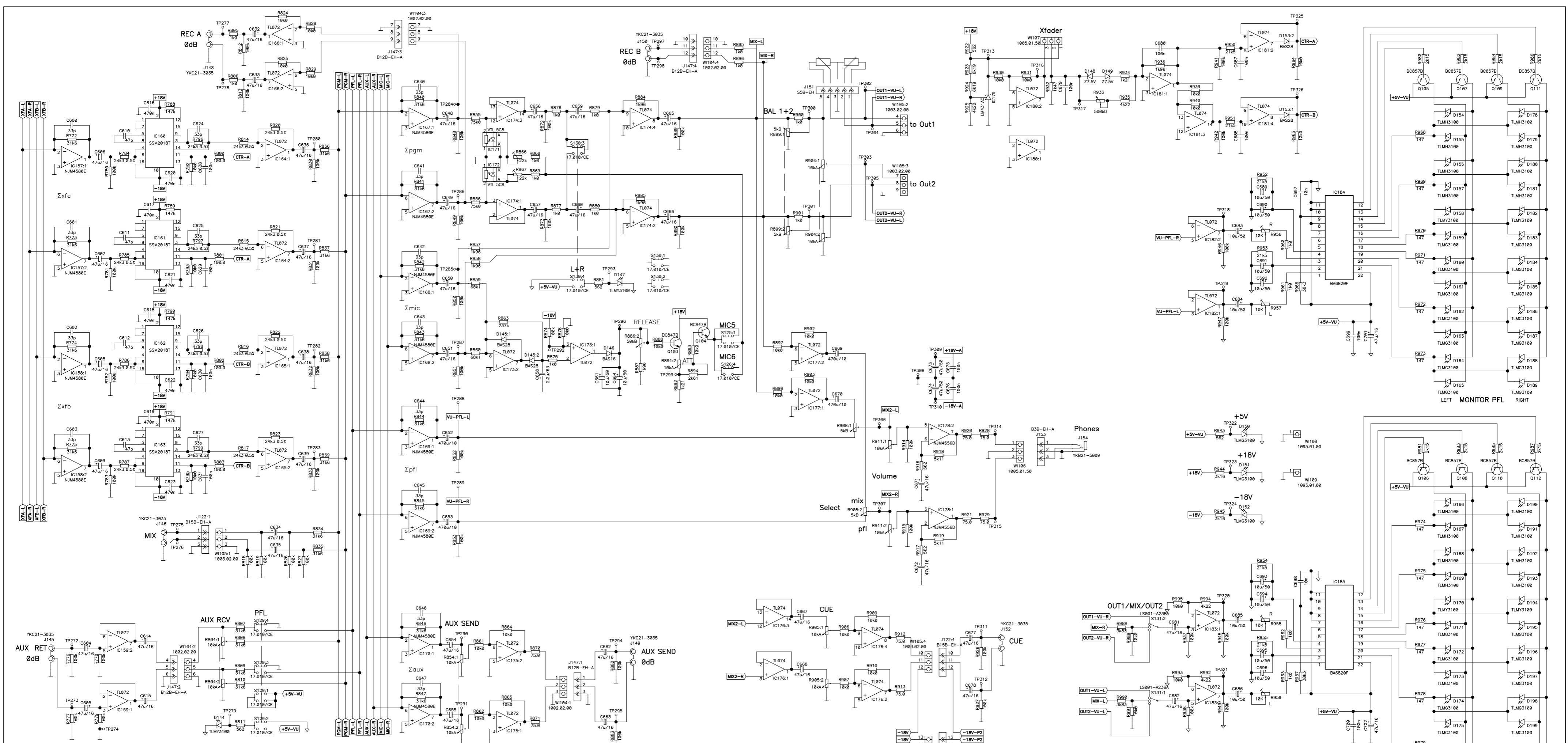
number: *100738* version: *0100*


# BLOCK DIAGRAM

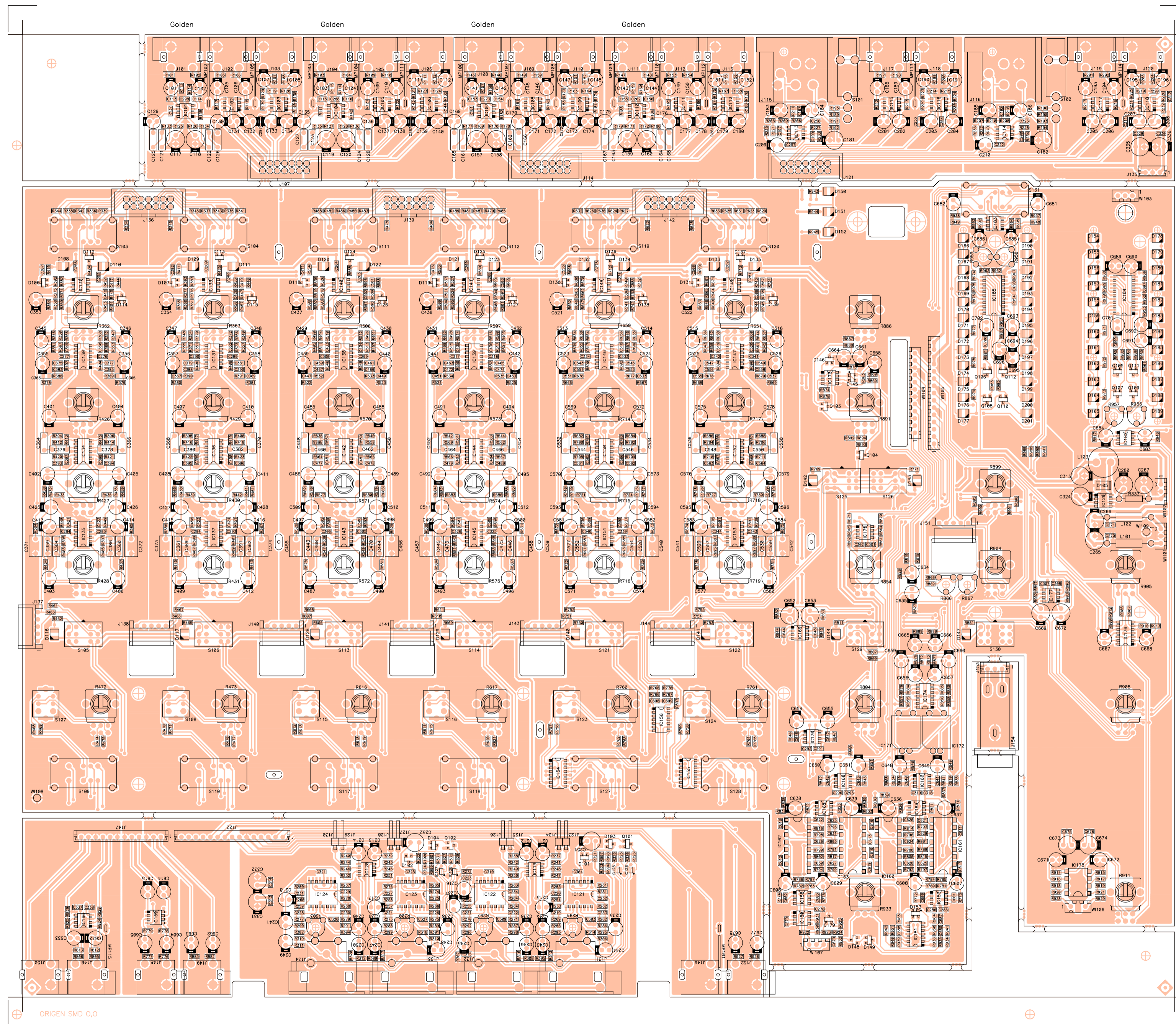


	drawn by: M. Amoros	date: 060712	approved: J.M. Mas
	project n: M10-05	title: Inputs & Supply Sch.	
	product n: AC6	page: 1 of 3	
	number: 10.0739	version: 01.03	





 LABORATORIO DE ELECTRO-ACUSTICA S.A.	drawn by: M. Amoros	date: 060712	approved: J.M. Mas
	project n: M10-05	title: Mix & Outs Sch.	
number: 10.0739	product n: AC6	page: 3 of 3	
version: 01.03			



ORIGEN SMD 0,0

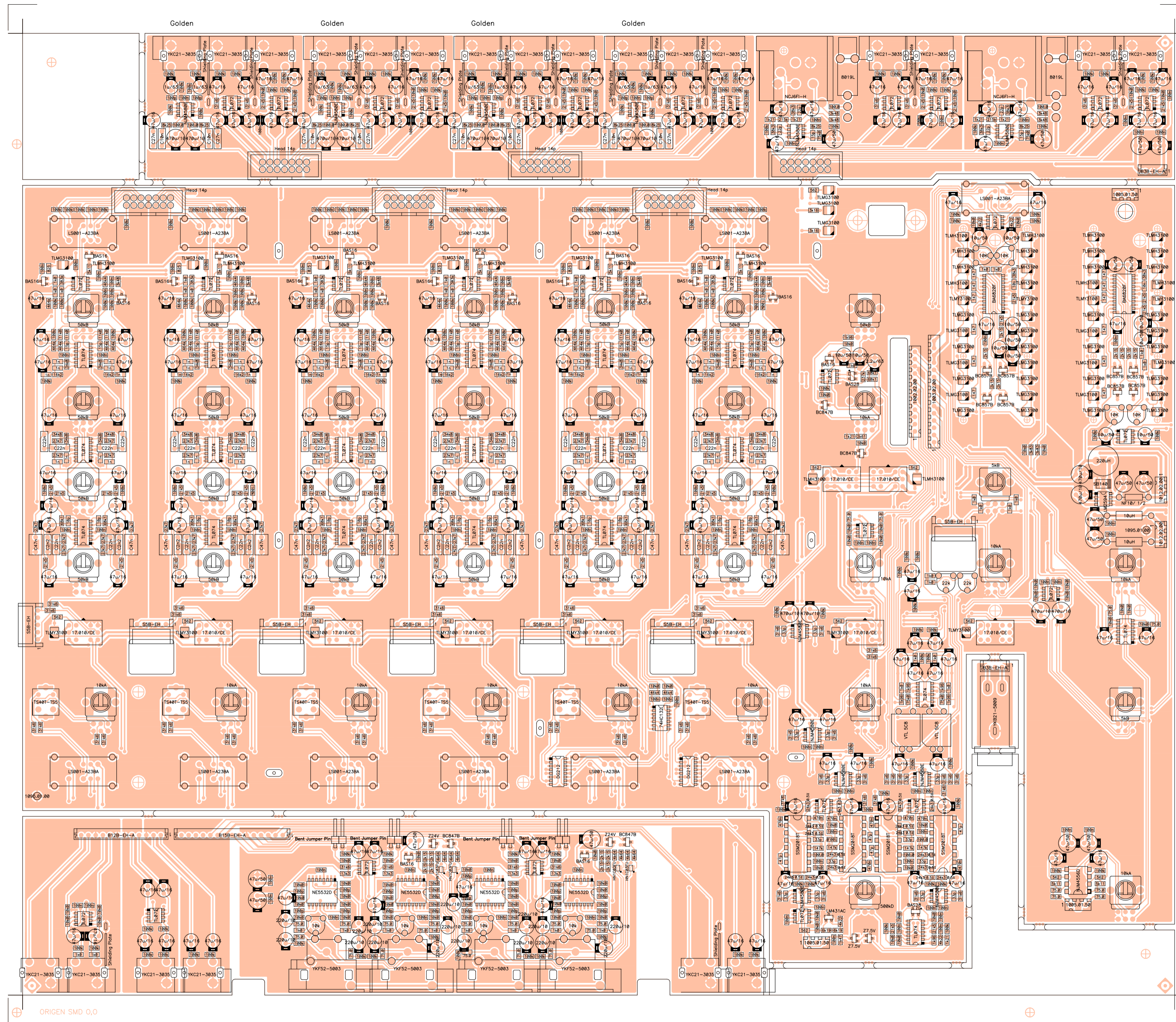


LABORATORIO DE ELECTRO-ACUSTICA S.A.  
 number: 33.0971 version: 01.03  
 drawn by: M. Amoros date: 061017

related to: circuit no: 11.1058-04.00  
 schema no: 10.0739-01.03  
 insertion file no: 01.0105-01.03  
 project n: M10-05  
 product n: AC-6  
 approved: J.M.Mas

side: Component  
 view: Reference

Overall Ct.



ORIGEN SMD 0,0



related to:	circuit no: 11.1058-04.00 schema no: 10.0739-01.03 insertion file no: B1.0105-01.03	side: Component view: Value
project n°:	M10-05	title: Overall Ct.
number:	33.0972	version: 01.03
drawn by:	M. Amoros	date: 061017
product n°:	AC-6	approved: J.M.Mas



**PARTS LIST: PRINTED CIRCUIT 11.1058.04.00**

<b>Code</b>	<b>Description</b>	<b>Reference</b>
FCCE30001000	1u/63	C101
FCCE30001000	1u/63	C102
FCCE30001000	1u/63	C103
FCCE30001000	1u/63	C104
FCCE10000000	47u/16	C105
FCCE10000000	47u/16	C106
FCCE10000000	47u/16	C107
FCCE10000000	47u/16	C108
FCCE10000000	47u/16	C109
FCCE10000000	47u/16	C110
FCCE10000000	47u/16	C111
FCCE10000000	47u/16	C112
FCXCD2100000	100p	C113
FCXCD2100000	100p	C114
FCXCD2100000	100p	C115
FCXCD2100000	100p	C116
FCCE03000000	470u/10	C117
FCCE03000000	470u/10	C118
FCCE03000000	470u/10	C119
FCCE03000000	470u/10	C120
FCCDK1010000	C10n	C121
FCCDK1010000	C10n	C122
FCCDK1010000	C10n	C123
FCCDK1010000	C10n	C124
FCCDK5027000	C27n	C125
FCCDK5027000	C27n	C126
FCCDK5027000	C27n	C127
FCCDK5027000	C27n	C128
FCCE10000000	47u/16	C129
FCCE10000000	47u/16	C130
FCCE10000000	47u/16	C131
FCCE10000000	47u/16	C132
FCCE10000000	47u/16	C133
FCCE10000000	47u/16	C134
FCCE10000000	47u/16	C135
FCCE10000000	47u/16	C136
FCCE10000000	47u/16	C137
FCCE10000000	47u/16	C138
FCCE10000000	47u/16	C139
FCCE10000000	47u/16	C140
FCCE30001000	1u/63	C141
FCCE30001000	1u/63	C142
FCCE30001000	1u/63	C143
FCCE30001000	1u/63	C144
FCCE10000000	47u/16	C145
FCCE10000000	47u/16	C146
FCCE10000000	47u/16	C147
FCCE10000000	47u/16	C148
FCCE10000000	47u/16	C149
FCCE10000000	47u/16	C150
FCCE10000000	47u/16	C151
FCCE10000000	47u/16	C152
FCXCD2100000	100p	C153
FCXCD2100000	100p	C154
FCXCD2100000	100p	C155
FCXCD2100000	100p	C156

**PARTS LIST: PRINTED CIRCUIT 11.1058.04.00**

<b>Code</b>	<b>Description</b>	<b>Reference</b>
FCCE03000000	470u/10	C157
FCCE03000000	470u/10	C158
FCCE03000000	470u/10	C159
FCCE03000000	470u/10	C160
FCCDK1010000	C10n	C161
FCCDK1010000	C10n	C162
FCCDK1010000	C10n	C163
FCCDK1010000	C10n	C164
FCCDK5027000	C27n	C165
FCCDK5027000	C27n	C166
FCCDK5027000	C27n	C167
FCCDK5027000	C27n	C168
FCCE10000000	47u/16	C169
FCCE10000000	47u/16	C170
FCCE10000000	47u/16	C171
FCCE10000000	47u/16	C172
FCCE10000000	47u/16	C173
FCCE10000000	47u/16	C174
FCCE10000000	47u/16	C175
FCCE10000000	47u/16	C176
FCCE10000000	47u/16	C177
FCCE10000000	47u/16	C178
FCCE10000000	47u/16	C179
FCCE10000000	47u/16	C180
FCCE25047000	47u/50	C181
FCCE25047000	47u/50	C182
FCCE10000000	47u/16	C183
FCCE10000000	47u/16	C184
FCCE10000000	47u/16	C185
FCCE10000000	47u/16	C186
FCXCD1220000	22p	C187
FCCE10000000	47u/16	C188
FCCE10000000	47u/16	C189
FCCE10000000	47u/16	C190
FCCE10000000	47u/16	C191
FCXCD1220000	22p	C192
FCCE10000000	47u/16	C193
FCCE10000000	47u/16	C194
FCCE10000000	47u/16	C195
FCCE10000000	47u/16	C196
FCXCD1220000	22p	C197
FCXCD1220000	22p	C198
FCXCD1150000	15p	C199
FCXCD1150000	15p	C200
FCCE10000000	47u/16	C201
FCCE10000000	47u/16	C202
FCCE10000000	47u/16	C203
FCCE10000000	47u/16	C204
FCCE10000000	47u/16	C205
FCCE10000000	47u/16	C206
FCCE10000000	47u/16	C207
FCCE10000000	47u/16	C208
FCCE10000000	47u/16	C209
FCCE10000000	47u/16	C210
FCCE10000000	47u/16	C211
FCCE10000000	47u/16	C212

**PARTS LIST: PRINTED CIRCUIT 11.1058.04.00**

<b>Code</b>	<b>Description</b>	<b>Reference</b>
FCCE1000000	47u/16	C213
FCCE1000000	47u/16	C214
FCCE1000000	47u/16	C215
FCCE1000000	47u/16	C216
FCCE1000000	47u/16	C217
FCCE1000000	47u/16	C218
FCXCD2100000	100p	C219
FCXCD2100000	100p	C220
FCXCD2100000	100p	C221
FCXCD2100000	100p	C222
FCXCD2100000	100p	C223
FCXCD2100000	100p	C224
FCXCD2100000	100p	C225
FCXCD2100000	100p	C226
FCXCD2100000	100p	C227
FCXCD2100000	100p	C228
FCXCD2100000	100p	C229
FCXCD2100000	100p	C230
FCXCD2100000	100p	C231
FCXCD2100000	100p	C232
FCXCD2100000	100p	C233
FCXCD2100000	100p	C234
FCCE0500000	220u/10	C235
FCCE0500000	220u/10	C236
FCCE0500000	220u/10	C237
FCCE0500000	220u/10	C238
FCCE0500000	220u/10	C239
FCCE0500000	220u/10	C240
FCCE0500000	220u/10	C241
FCCE0500000	220u/10	C242
FCCE0500000	220u/10	C243
FCCE0500000	220u/10	C244
FCCE0500000	220u/10	C245
FCCE0500000	220u/10	C246
FCCE0500000	220u/10	C247
FCCE0500000	220u/10	C248
FCCE0500000	220u/10	C249
FCCE0500000	220u/10	C250
FCCE25047000	47u/50	C251
FCCE25047000	47u/50	C252
FCXCD4100000	100n	C253
FCXCD4100000	100n	C254
FCXCD4100000	100n	C255
FCXCD4100000	100n	C256
FCXCD4100000	100n	C257
FCXCD4100000	100n	C258
FCXCD4100000	100n	C259
FCXCD4100000	100n	C260
FCXCD4100000	100n	C261
FCXCD4100000	100n	C262
FCXCD4100000	100n	C263
FCXCD4100000	100n	C264
FCCE25047000	47u/50	C265
FCCE25047000	47u/50	C266
FCCE25047000	47u/50	C267
FCXCD4100000	100n	C268

**PARTS LIST: PRINTED CIRCUIT 11.1058.04.00**

<b>Code</b>	<b>Description</b>	<b>Reference</b>
FCXCD4100000	100n	C269
FCXCD4100000	100n	C270
FCXCD4100000	100n	C271
FCXCD4100000	100n	C272
FCXCD4100000	100n	C273
FCXCD4100000	100n	C274
FCXCD4100000	100n	C275
FCXCD4100000	100n	C276
FCXCD4100000	100n	C277
FCXCD4100000	100n	C278
FCXCD4100000	100n	C279
FCCE25047000	47u/50	C280
FCXCD4100000	100n	C281
FCXCD4100000	100n	C282
FCXCD4100000	100n	C283
FCXCD4100000	100n	C284
FCXCD4100000	100n	C285
FCXCD4100000	100n	C286
FCXCD4100000	100n	C287
FCXCD4100000	100n	C288
FCXCD4100000	100n	C289
FCXCD4100000	100n	C290
FCXCD4100000	100n	C291
FCXCD4100000	100n	C292
FCXCD4100000	100n	C293
FCXCD4100000	100n	C294
FCXCD4100000	100n	C295
FCXCD4100000	100n	C296
FCXCD4100000	100n	C297
FCXCD4100000	100n	C298
FCXCD4100000	100n	C299
FCXCD4100000	100n	C300
FCXCD4100000	100n	C301
FCXCD4100000	100n	C302
FCXCD4100000	100n	C303
FCXCD4100000	100n	C304
FCXCD4100000	100n	C305
FCXCD4100000	100n	C306
FCXCD4100000	100n	C307
FCXCD4100000	100n	C308
FCXCD4100000	100n	C309
FCXCD4100000	100n	C310
FCXCD4100000	100n	C311
FCXCD4100000	100n	C312
FCXCD4100000	100n	C313
FCXCD4100000	100n	C314
FCCE03000000	470u/10	C315
FCXCD4100000	100n	C316
FCXCD4100000	100n	C317
FCXCD4100000	100n	C318
FCXCD4100000	100n	C319
FCXCD4100000	100n	C320
FCXCD4100000	100n	C321
FCXCD4100000	100n	C322
FCXCD4100000	100n	C323
FCCE03000000	470u/10	C324

**PARTS LIST: PRINTED CIRCUIT 11.1058.04.00**

<b>Code</b>	<b>Description</b>	<b>Reference</b>
FCXCD4100000	100n	C325
FCXCD4100000	100n	C326
FCXCD4100000	100n	C327
FCXCD4100000	100n	C328
FCXCD4100000	100n	C329
FCXCD4100000	100n	C330
FCCE25047000	47u/50	C331
FCCE25047000	47u/50	C332
FCXCD4100000	100n	C333
FCXCD4100000	100n	C334
FCCE25047000	47u/50	C335
FCCE25047000	47u/50	C336
FCXCD4100000	100n	C337
FCXCD4100000	100n	C338
FCXCD4100000	100n	C339
FCXCD4100000	100n	C340
FCXCD4100000	100n	C341
FCXCD4100000	100n	C342
FCXCD4100000	100n	C343
FCXCD4100000	100n	C344
FCCE10000000	47u/16	C345
FCCE10000000	47u/16	C346
FCCE10000000	47u/16	C347
FCCE10000000	47u/16	C348
FCXCD1150000	15p	C349
FCXCD1150000	15p	C350
FCXCD1150000	15p	C351
FCXCD1150000	15p	C352
FCCE10000000	47u/16	C353
FCCE10000000	47u/16	C354
FCCE10000000	47u/16	C355
FCCE10000000	47u/16	C356
FCCE10000000	47u/16	C357
FCCE10000000	47u/16	C358
FCCDK1002200	C2n2	C359
FCCDK1002200	C2n2	C360
FCCDK1002200	C2n2	C361
FCCDK1002200	C2n2	C362
FCXCD4001000	1n	C363
FCCDK1022000	C22n	C364
FCXCD4001000	1n	C365
FCCDK1022000	C22n	C366
FCXCD4001000	1n	C367
FCCDK1022000	C22n	C368
FCXCD4001000	1n	C369
FCCDK1022000	C22n	C370
FCCDK1047100	C47n	C371
FCCDK1047100	C47n	C372
FCCDK1047100	C47n	C373
FCCDK1047100	C47n	C374
FCXCD4001000	1n	C375
FCCDK1022000	C22n	C376
FCXCD4001000	1n	C377
FCCDK1022000	C22n	C378
FCXCD4001000	1n	C379
FCCDK1022000	C22n	C380

**PARTS LIST: PRINTED CIRCUIT 11.1058.04.00**

<b>Code</b>	<b>Description</b>	<b>Reference</b>
FCXCD4001000	1n	C381
FCCDK1022000	C22n	C382
FCXCD4001000	1n	C383
FCCDK1022000	C22n	C384
FCXCD4001000	1n	C385
FCCDK1022000	C22n	C386
FCXCD4100000	100n	C387
FCXCD4001000	1n	C388
FCCDK1022000	C22n	C389
FCXCD4001000	1n	C390
FCCDK1022000	C22n	C391
FCXCD4100000	100n	C392
FCXCD4001000	1n	C393
FCXCD4001000	1n	C394
FCXCD4001000	1n	C395
FCXCD4001000	1n	C396
FCXCD4001000	1n	C397
FCXCD4001000	1n	C398
FCXCD4001000	1n	C399
FCXCD4001000	1n	C400
FCCE10000000	47u/16	C401
FCCE10000000	47u/16	C402
FCCE10000000	47u/16	C403
FCCE10000000	47u/16	C404
FCCE10000000	47u/16	C405
FCCE10000000	47u/16	C406
FCCE10000000	47u/16	C407
FCCE10000000	47u/16	C408
FCCE10000000	47u/16	C409
FCCE10000000	47u/16	C410
FCCE10000000	47u/16	C411
FCCE10000000	47u/16	C412
FCCE10000000	47u/16	C413
FCCE10000000	47u/16	C414
FCCE10000000	47u/16	C415
FCCE10000000	47u/16	C416
FCXCD4100000	100n	C417
FCXCD4100000	100n	C418
FCXCD4100000	100n	C419
FCXCD4100000	100n	C420
FCXCD1100000	10p	C421
FCXCD1100000	10p	C422
FCXCD1100000	10p	C423
FCXCD1100000	10p	C424
FCCE10000000	47u/16	C425
FCCE10000000	47u/16	C426
FCCE10000000	47u/16	C427
FCCE10000000	47u/16	C428
FCCE10000000	47u/16	C429
FCCE10000000	47u/16	C430
FCCE10000000	47u/16	C431
FCCE10000000	47u/16	C432
FCXCD1150000	15p	C433
FCXCD1150000	15p	C434
FCXCD1150000	15p	C435
FCXCD1150000	15p	C436

**PARTS LIST: PRINTED CIRCUIT 11.1058.04.00**

<b>Code</b>	<b>Description</b>	<b>Reference</b>
FCCE10000000	47u/16	C437
FCCE10000000	47u/16	C438
FCCE10000000	47u/16	C439
FCCE10000000	47u/16	C440
FCCE10000000	47u/16	C441
FCCE10000000	47u/16	C442
FCCDK1002200	C2n2	C443
FCCDK1002200	C2n2	C444
FCCDK1002200	C2n2	C445
FCCDK1002200	C2n2	C446
FCXCD4001000	1n	C447
FCCDK1022000	C22n	C448
FCXCD4001000	1n	C449
FCCDK1022000	C22n	C450
FCXCD4001000	1n	C451
FCCDK1022000	C22n	C452
FCXCD4001000	1n	C453
FCCDK1022000	C22n	C454
FCCDK1047100	C47n	C455
FCCDK1047100	C47n	C456
FCCDK1047100	C47n	C457
FCCDK1047100	C47n	C458
FCXCD4001000	1n	C459
FCCDK1022000	C22n	C460
FCXCD4001000	1n	C461
FCCDK1022000	C22n	C462
FCXCD4001000	1n	C463
FCCDK1022000	C22n	C464
FCXCD4001000	1n	C465
FCCDK1022000	C22n	C466
FCXCD4001000	1n	C467
FCCDK1022000	C22n	C468
FCXCD4001000	1n	C469
FCCDK1022000	C22n	C470
FCXCD4100000	100n	C471
FCXCD4001000	1n	C472
FCCDK1022000	C22n	C473
FCXCD4001000	1n	C474
FCCDK1022000	C22n	C475
FCXCD4100000	100n	C476
FCXCD4001000	1n	C477
FCXCD4001000	1n	C478
FCXCD4001000	1n	C479
FCXCD4001000	1n	C480
FCXCD4001000	1n	C481
FCXCD4001000	1n	C482
FCXCD4001000	1n	C483
FCXCD4001000	1n	C484
FCCE10000000	47u/16	C485
FCCE10000000	47u/16	C486
FCCE10000000	47u/16	C487
FCCE10000000	47u/16	C488
FCCE10000000	47u/16	C489
FCCE10000000	47u/16	C490
FCCE10000000	47u/16	C491
FCCE10000000	47u/16	C492

**PARTS LIST: PRINTED CIRCUIT 11.1058.04.00**

<b>Code</b>	<b>Description</b>	<b>Reference</b>
FCCE1000000	47u/16	C493
FCCE1000000	47u/16	C494
FCCE1000000	47u/16	C495
FCCE1000000	47u/16	C496
FCCE1000000	47u/16	C497
FCCE1000000	47u/16	C498
FCCE1000000	47u/16	C499
FCCE1000000	47u/16	C500
FCXCD4100000	100n	C501
FCXCD4100000	100n	C502
FCXCD4100000	100n	C503
FCXCD4100000	100n	C504
FCXCD1100000	10p	C505
FCXCD1100000	10p	C506
FCXCD1100000	10p	C507
FCXCD1100000	10p	C508
FCCE1000000	47u/16	C509
FCCE1000000	47u/16	C510
FCCE1000000	47u/16	C511
FCCE1000000	47u/16	C512
FCCE1000000	47u/16	C513
FCCE1000000	47u/16	C514
FCCE1000000	47u/16	C515
FCCE1000000	47u/16	C516
FCXCD1150000	15p	C517
FCXCD1150000	15p	C518
FCXCD1150000	15p	C519
FCXCD1150000	15p	C520
FCCE1000000	47u/16	C521
FCCE1000000	47u/16	C522
FCCE1000000	47u/16	C523
FCCE1000000	47u/16	C524
FCCE1000000	47u/16	C525
FCCE1000000	47u/16	C526
FCCDK1002200	C2n2	C527
FCCDK1002200	C2n2	C528
FCCDK1002200	C2n2	C529
FCCDK1002200	C2n2	C530
FCXCD4001000	1n	C531
FCCDK1022000	C22n	C532
FCXCD4001000	1n	C533
FCCDK1022000	C22n	C534
FCXCD4001000	1n	C535
FCCDK1022000	C22n	C536
FCXCD4001000	1n	C537
FCCDK1022000	C22n	C538
FCCDK1047100	C47n	C539
FCCDK1047100	C47n	C540
FCCDK1047100	C47n	C541
FCCDK1047100	C47n	C542
FCXCD4001000	1n	C543
FCCDK1022000	C22n	C544
FCXCD4001000	1n	C545
FCCDK1022000	C22n	C546
FCXCD4001000	1n	C547
FCCDK1022000	C22n	C548



**PARTS LIST: PRINTED CIRCUIT 11.1058.04.00**

<b>Code</b>	<b>Description</b>	<b>Reference</b>
FCXCD4001000	1n	C549
FCCDK1022000	C22n	C550
FCXCD4001000	1n	C551
FCCDK1022000	C22n	C552
FCXCD4001000	1n	C553
FCCDK1022000	C22n	C554
FCXCD4100000	100n	C555
FCXCD4001000	1n	C556
FCCDK1022000	C22n	C557
FCXCD4001000	1n	C558
FCCDK1022000	C22n	C559
FCXCD4100000	100n	C560
FCXCD4001000	1n	C561
FCXCD4001000	1n	C562
FCXCD4001000	1n	C563
FCXCD4001000	1n	C564
FCXCD4001000	1n	C565
FCXCD4001000	1n	C566
FCXCD4001000	1n	C567
FCXCD4001000	1n	C568
FCCE10000000	47u/16	C569
FCCE10000000	47u/16	C570
FCCE10000000	47u/16	C571
FCCE10000000	47u/16	C572
FCCE10000000	47u/16	C573
FCCE10000000	47u/16	C574
FCCE10000000	47u/16	C575
FCCE10000000	47u/16	C576
FCCE10000000	47u/16	C577
FCCE10000000	47u/16	C578
FCCE10000000	47u/16	C579
FCCE10000000	47u/16	C580
FCCE10000000	47u/16	C581
FCCE10000000	47u/16	C582
FCCE10000000	47u/16	C583
FCCE10000000	47u/16	C584
FCXCD4100000	100n	C585
FCXCD4100000	100n	C586
FCXCD4100000	100n	C587
FCXCD4100000	100n	C588
FCXCD1100000	10p	C589
FCXCD1100000	10p	C590
FCXCD1100000	10p	C591
FCXCD1100000	10p	C592
FCCE10000000	47u/16	C593
FCCE10000000	47u/16	C594
FCCE10000000	47u/16	C595
FCCE10000000	47u/16	C596
FCXCD4100000	100n	C597
FCXCD4100000	100n	C598
FCXCD4100000	100n	C599
FCXCD1330000	33p	C600
FCXCD1330000	33p	C601
FCXCD1330000	33p	C602
FCXCD1330000	33p	C603
FCCE10000000	47u/16	C604

**PARTS LIST: PRINTED CIRCUIT 11.1058.04.00**

<b>Code</b>	<b>Description</b>	<b>Reference</b>
FCCE10000000	47u/16	C605
FCCE10000000	47u/16	C606
FCCE10000000	47u/16	C607
FCCE10000000	47u/16	C608
FCCE10000000	47u/16	C609
FCXCD1470000	47p	C610
FCXCD1470000	47p	C611
FCXCD1470000	47p	C612
FCXCD1470000	47p	C613
FCCE10000000	47u/16	C614
FCCE10000000	47u/16	C615
FCXCD4470000	470n	C616
FCXCD4470000	470n	C617
FCXCD4470000	470n	C618
FCXCD4470000	470n	C619
FCXCD4470000	470n	C620
FCXCD4470000	470n	C621
FCXCD4470000	470n	C622
FCXCD4470000	470n	C623
FCXCD1330000	33p	C624
FCXCD1330000	33p	C625
FCXCD1330000	33p	C626
FCXCD1330000	33p	C627
FCXCD4100000	100n	C628
FCXCD4100000	100n	C629
FCXCD4100000	100n	C630
FCXCD4100000	100n	C631
FCCE10000000	47u/16	C632
FCCE10000000	47u/16	C633
FCCE10000000	47u/16	C634
FCCE10000000	47u/16	C635
FCCE10000000	47u/16	C636
FCCE10000000	47u/16	C637
FCCE10000000	47u/16	C638
FCCE10000000	47u/16	C639
FCXCD1330000	33p	C640
FCXCD1330000	33p	C641
FCXCD1330000	33p	C642
FCXCD1330000	33p	C643
FCXCD1330000	33p	C644
FCXCD1330000	33p	C645
FCXCD1330000	33p	C646
FCXCD1330000	33p	C647
FCCE10000000	47u/16	C648
FCCE10000000	47u/16	C649
FCCE10000000	47u/16	C650
FCCE10000000	47u/16	C651
FCCE03000000	470u/10	C652
FCCE03000000	470u/10	C653
FCCE10000000	47u/16	C654
FCCE10000000	47u/16	C655
FCCE10000000	47u/16	C656
FCCE10000000	47u/16	C657
FCCE30002200	2.2u/63	C658
FCCE10000000	47u/16	C659
FCCE10000000	47u/16	C660

**PARTS LIST: PRINTED CIRCUIT 11.1058.04.00**

<b>Code</b>	<b>Description</b>	<b>Reference</b>
FCCE25010000	10u/50	C661
FCCE10000000	47u/16	C662
FCCE10000000	47u/16	C663
FCCE25010000	10u/50	C664
FCCE10000000	47u/16	C665
FCCE10000000	47u/16	C666
FCCE10000000	47u/16	C667
FCCE10000000	47u/16	C668
FCCE03000000	470u/10	C669
FCCE03000000	470u/10	C670
FCCE10000000	47u/16	C671
FCCE10000000	47u/16	C672
FCCE25047000	47u/50	C673
FCCE25047000	47u/50	C674
FCXCD4100000	100n	C675
FCXCD4100000	100n	C676
FCCE10000000	47u/16	C677
FCCE10000000	47u/16	C678
FCXCD4100000	100n	C679
FCXCD4100000	100n	C680
FCCE10000000	47u/16	C681
FCCE10000000	47u/16	C682
FCCE25010000	10u/50	C683
FCCE25010000	10u/50	C684
FCCE25010000	10u/50	C685
FCCE25010000	10u/50	C686
FCXCD4100000	100n	C687
FCXCD4100000	100n	C688
FCCE25010000	10u/50	C689
FCCE25010000	10u/50	C690
FCCE25010000	10u/50	C691
FCCE25010000	10u/50	C692
FCCE25010000	10u/50	C693
FCCE25010000	10u/50	C694
FCCE25010000	10u/50	C695
FCCE25010000	10u/50	C696
FCXCD4010000	10n	C697
FCXCD4010000	10n	C698
FCXCD4100000	100n	C699
FCXCD4100000	100n	C700
FCCE10000000	47u/16	C701
FCCE10000000	47u/16	C702
FCI01058000	Printed Board 11.1058	CI101
FCXDDBAS1600	BAS16	D101
FCXDDBAS1600	BAS16	D102
FCXZ00024000	Z24V	D103
FCXZ00024000	Z24V	D104
FCXDDBS14000	SB140	D105
FCXDDBAS1600	BAS16	D106
FCXDDBAS1600	BAS16	D107
FCLEDSMD3000	TLMG3100	D108
FCLEDSMD3000	TLMG3100	D109
FCLEDSMD2000	TLMH3100	D110
FCLEDSMD2000	TLMH3100	D111
FCXDDBAS1600	BAS16	D112
FCXDDBAS1600	BAS16	D113

**PARTS LIST: PRINTED CIRCUIT 11.1058.04.00**

<b>Code</b>	<b>Description</b>	<b>Reference</b>
FCXDDBAS1600	BAS16	D114
FCXDDBAS1600	BAS16	D115
FCLEDSMD2500	TLMY3100	D116
FCLEDSMD2500	TLMY3100	D117
FCXDDBAS1600	BAS16	D118
FCXDDBAS1600	BAS16	D119
FCLEDSMD3000	TLMG3100	D120
FCLEDSMD3000	TLMG3100	D121
FCLEDSMD2000	TLMH3100	D122
FCLEDSMD2000	TLMH3100	D123
FCXDDBAS1600	BAS16	D124
FCXDDBAS1600	BAS16	D125
FCXDDBAS1600	BAS16	D126
FCXDDBAS1600	BAS16	D127
FCLEDSMD2500	TLMY3100	D128
FCLEDSMD2500	TLMY3100	D129
FCXDDBAS1600	BAS16	D130
FCXDDBAS1600	BAS16	D131
FCLEDSMD3000	TLMG3100	D132
FCLEDSMD3000	TLMG3100	D133
FCLEDSMD2000	TLMH3100	D134
FCLEDSMD2000	TLMH3100	D135
FCXDDBAS1600	BAS16	D136
FCXDDBAS1600	BAS16	D137
FCXDDBAS1600	BAS16	D138
FCXDDBAS1600	BAS16	D139
FCLEDSMD2500	TLMY3100	D140
FCLEDSMD2500	TLMY3100	D141
FCLEDSMD2000	TLMH3100	D142
FCLEDSMD2000	TLMH3100	D143
FCLEDSMD2500	TLMY3100	D144
FCXDDBAS2800	BAS28	D145
FCXDDBAS1600	BAS16	D146
FCLEDSMD2500	TLMY3100	D147
FCXZ00007500	Z7.5V	D148
FCXZ00007500	Z7.5V	D149
FCLEDSMD3000	TLMG3100	D150
FCLEDSMD3000	TLMG3100	D151
FCLEDSMD3000	TLMG3100	D152
FCXDDBAS2800	BAS28	D153
FCLEDSMD2000	TLMH3100	D154
FCLEDSMD2000	TLMH3100	D155
FCLEDSMD2000	TLMH3100	D156
FCLEDSMD2000	TLMH3100	D157
FCLEDSMD2500	TLMY3100	D158
FCLEDSMD3000	TLMG3100	D159
FCLEDSMD3000	TLMG3100	D160
FCLEDSMD3000	TLMG3100	D161
FCLEDSMD3000	TLMG3100	D162
FCLEDSMD3000	TLMG3100	D163
FCLEDSMD3000	TLMG3100	D164
FCLEDSMD3000	TLMG3100	D165
FCLEDSMD2000	TLMH3100	D166
FCLEDSMD2000	TLMH3100	D167
FCLEDSMD2000	TLMH3100	D168
FCLEDSMD2000	TLMH3100	D169

**PARTS LIST: PRINTED CIRCUIT 11.1058.04.00**

<b>Code</b>	<b>Description</b>	<b>Reference</b>
FCLEDSMD2500	TLMY3100	D170
FCLEDSMD3000	TLMG3100	D171
FCLEDSMD3000	TLMG3100	D172
FCLEDSMD3000	TLMG3100	D173
FCLEDSMD3000	TLMG3100	D174
FCLEDSMD3000	TLMG3100	D175
FCLEDSMD3000	TLMG3100	D176
FCLEDSMD3000	TLMG3100	D177
FCLEDSMD2000	TLMH3100	D178
FCLEDSMD2000	TLMH3100	D179
FCLEDSMD2000	TLMH3100	D180
FCLEDSMD2000	TLMH3100	D181
FCLEDSMD2500	TLMY3100	D182
FCLEDSMD3000	TLMG3100	D183
FCLEDSMD3000	TLMG3100	D184
FCLEDSMD3000	TLMG3100	D185
FCLEDSMD3000	TLMG3100	D186
FCLEDSMD3000	TLMG3100	D187
FCLEDSMD3000	TLMG3100	D188
FCLEDSMD3000	TLMG3100	D189
FCLEDSMD2000	TLMH3100	D190
FCLEDSMD2000	TLMH3100	D191
FCLEDSMD2000	TLMH3100	D192
FCLEDSMD2000	TLMH3100	D193
FCLEDSMD2500	TLMY3100	D194
FCLEDSMD3000	TLMG3100	D195
FCLEDSMD3000	TLMG3100	D196
FCLEDSMD3000	TLMG3100	D197
FCLEDSMD3000	TLMG3100	D198
FCLEDSMD3000	TLMG3100	D199
FCLEDSMD3000	TLMG3100	D200
FCLEDSMD3000	TLMG3100	D201
FCIC4580E000	NJM4580E	IC101
FCIC07201000	TL072	IC102
FCIC07201000	TL072	IC103
FCIC4580E000	NJM4580E	IC104
FCIC07201000	TL072	IC105
FCIC07201000	TL072	IC106
FCIC4580E000	NJM4580E	IC107
FCIC07201000	TL072	IC108
FCIC07201000	TL072	IC109
FCIC4580E000	NJM4580E	IC110
FCIC07201000	TL072	IC111
FCIC07201000	TL072	IC112
FCIC4580E000	NJM4580E	IC113
FCIC4580E000	NJM4580E	IC114
FCIC07201000	TL072	IC115
FCIC07201000	TL072	IC116
FCIC07201000	TL072	IC117
FCIC07201000	TL072	IC118
FCIC07201000	TL072	IC119
FCIC07201000	TL072	IC120
FCIC55321000	NE5532D	IC121
FCIC55321000	NE5532D	IC122
FCIC55321000	NE5532D	IC123
FCIC55321000	NE5532D	IC124

**PARTS LIST: PRINTED CIRCUIT 11.1058.04.00**

<b>Code</b>	<b>Description</b>	<b>Reference</b>
FCTRHN1C0300	HN1C03FU	IC125
FCTRHN1C0300	HN1C03FU	IC126
FCTRHN1C0300	HN1C03FU	IC127
FCTRHN1C0300	HN1C03FU	IC128
FCIC25941000	LM2594	IC129
FCIC07401000	TL074	IC130
FCIC07401000	TL074	IC131
FCIC07201000	TL072	IC132
FCIC07201000	TL072	IC133
FCIC07401000	TL074	IC134
FCIC07401000	TL074	IC135
FCIC07401000	TL074	IC136
FCIC07401000	TL074	IC137
FCIC07401000	TL074	IC138
FCIC07401000	TL074	IC139
FCIC07201000	TL072	IC140
FCIC07201000	TL072	IC141
FCIC07401000	TL074	IC142
FCIC07401000	TL074	IC143
FCIC07401000	TL074	IC144
FCIC07401000	TL074	IC145
FCIC07401000	TL074	IC146
FCIC07401000	TL074	IC147
FCIC07201000	TL072	IC148
FCIC07201000	TL072	IC149
FCIC07401000	TL074	IC150
FCIC07401000	TL074	IC151
FCIC07401000	TL074	IC152
FCIC07401000	TL074	IC153
FCIC21201000	DG212	IC154
FCIC21201000	DG212	IC155
FCIC74132000	74HC132	IC156
FCIC4580E000	NJM4580E	IC157
FCIC4580E000	NJM4580E	IC158
FCIC07201000	TL072	IC159
FCIC20180000	SSM2018T	IC160
FCIC20180000	SSM2018T	IC161
FCIC20180000	SSM2018T	IC162
FCIC20180000	SSM2018T	IC163
FCIC07201000	TL072	IC164
FCIC07201000	TL072	IC165
FCIC07201000	TL072	IC166
FCIC4580E000	NJM4580E	IC167
FCIC4580E000	NJM4580E	IC168
FCIC4580E000	NJM4580E	IC169
FCIC4580E000	NJM4580E	IC170
FCOPTVTL5000	VTL 5C8	IC171
FCOPTVTL5000	VTL 5C8	IC172
FCIC07201000	TL072	IC173
FCIC07401000	TL074	IC174
FCIC07201000	TL072	IC175
FCIC07401000	TL074	IC176
FCIC07201000	TL072	IC177
FCIC45560000	NJM4556D	IC178
FCIC43101000	LM431AC	IC179
FCIC07201000	TL072	IC180

**PARTS LIST: PRINTED CIRCUIT 11.1058.04.00**

<b>Code</b>	<b>Description</b>	<b>Reference</b>
FCIC07401000	TL074	IC181
FCIC07201000	TL072	IC182
FCIC07201000	TL072	IC183
FCIC68200000	BA6820F	IC184
FCIC68200000	BA6820F	IC185
FRBASR060100	YKC21-3035	J101
FCBASR060000	YKC21-3035	J102
FCBASR060000	YKC21-3035	J103
FRBASR060100	YKC21-3035	J104
FCBASR060000	YKC21-3035	J105
FCBASR060000	YKC21-3035	J106
FCHEA1001400	Head 14p	J107
FRBASR060100	YKC21-3035	J108
FCBASR060000	YKC21-3035	J109
FCBASR060000	YKC21-3035	J110
FRBASR060100	YKC21-3035	J111
FCBASR060000	YKC21-3035	J112
FCBASR060000	YKC21-3035	J113
FCHEA1001400	Head 14p	J114
FCBASX080000	NCJ6FI-H	J115
FCBASX080000	NCJ6FI-H	J116
FCBASR060000	YKC21-3035	J117
FCBASR060000	YKC21-3035	J118
FCBASR060000	YKC21-3035	J119
FCBASR060000	YKC21-3035	J120
FCHEA1001400	Head 14p	J121
FCCTM0015000	B15B-EH-A	J122
FCTERM050000	Bent Jumper Pin	J123
FCTERM050000	Bent Jumper Pin	J124
FCTERM050000	Bent Jumper Pin	J125
FCTERM050000	Bent Jumper Pin	J126
FCTERM050000	Bent Jumper Pin	J127
FCTERM050000	Bent Jumper Pin	J128
FCTERM050000	Bent Jumper Pin	J129
FCTERM050000	Bent Jumper Pin	J130
FCBASX100000	YKF52-5003	J131
FCBASX100000	YKF52-5003	J132
FCBASX100000	YKF52-5003	J133
FCBASX100000	YKF52-5003	J134
FCCTM0003000	B3B-EH-A	J135
FCHEA1001400	Head 14p	J136
FCCTM1005000	S5B-EH	J137
FCCTM1005000	S5B-EH	J138
FCHEA1001400	Head 14p	J139
FCCTM1005000	S5B-EH	J140
FCCTM1005000	S5B-EH	J141
FCHEA1001400	Head 14p	J142
FCCTM1005000	S5B-EH	J143
FCCTM1005000	S5B-EH	J144
FCBASR060000	YKC21-3035	J145
FCBASR060000	YKC21-3035	J146
FCCTM0012000	B12B-EH-A	J147
FCBASR060000	YKC21-3035	J148
FCBASR060000	YKC21-3035	J149
FCBASR060000	YKC21-3035	J150
FCCTM1005000	S5B-EH	J151

**PARTS LIST: PRINTED CIRCUIT 11.1058.04.00**

<b>Code</b>	<b>Description</b>	<b>Reference</b>
FCBASR060000	YKC21-3035	J152
FCCTM0003000	B3B-EH-A	J153
FCBASJ020000	YKB21-5009	J154
FCCHK0010000	10uH	L101
FCCHK0010000	10uH	L102
FCIND0040000	220uH	L103
FP0289300000	Shielding Plate	MP101
FP0289300000	Shielding Plate	MP102
FP0289300000	Shielding Plate	MP103
FP0289300000	Shielding Plate	MP104
FP0289300000	Shielding Plate	MP105
FP0289300000	Shielding Plate	MP106
FP0289300000	Shielding Plate	MP107
FP0289300000	Shielding Plate	MP108
FP0289300000	Shielding Plate	MP109
FP0289300000	Shielding Plate	MP110
FP0289300000	Shielding Plate	MP111
FP0289300000	Shielding Plate	MP112
FP0289300000	Shielding Plate	MP113
FP0289300000	Shielding Plate	MP114
FP0289300000	Shielding Plate	MP115
FCXTT0847000	BC847B	Q101
FCXTT0847000	BC847B	Q102
FCXTT0847000	BC847B	Q103
FCXTT0847000	BC847B	Q104
FCXTT0857000	BC857B	Q105
FCXTT0857000	BC857B	Q106
FCXTT0857000	BC857B	Q107
FCXTT0857000	BC857B	Q108
FCXTT0857000	BC857B	Q109
FCXTT0857000	BC857B	Q110
FCXTT0857000	BC857B	Q111
FCXTT0857000	BC857B	Q112
FCXR55100000	100k	R101
FCXR55100000	100k	R102
FCXR55100000	100k	R103
FCXR55100000	100k	R104
FCXR55100000	100k	R105
FCXR55100000	100k	R106
FCXR55100000	100k	R107
FCXR55100000	100k	R108
FCXR55100000	100k	R109
FCXR55100000	100k	R110
FCXR55100000	100k	R111
FCXR55100000	100k	R112
FCXR55100000	100k	R113
FCXR55100000	100k	R114
FCXR55100000	100k	R115
FCXR55100000	100k	R116
FCXR54316000	31k6	R117
FCXR54316000	31k6	R118
FCXR55100000	100k	R119
FCXR55100000	100k	R120
FCXR54316000	31k6	R121
FCXR54316000	31k6	R122
FCXR55100000	100k	R123



**PARTS LIST: PRINTED CIRCUIT 11.1058.04.00**

<b>Code</b>	<b>Description</b>	<b>Reference</b>
FCXR55100000	100k	R124
FCXR52100000	100.0	R125
FCXR52100000	100.0	R126
FCXR52100000	100.0	R127
FCXR52100000	100.0	R128
FCXR54100000	10k0	R129
FCXR54100000	10k0	R130
FCXR54100000	10k0	R131
FCXR54100000	10k0	R132
FCXR53825000	8k25	R133
FCXR53825000	8k25	R134
FCXR53825000	8k25	R135
FCXR53825000	8k25	R136
FCXR55100000	100k	R137
FCXR55100000	100k	R138
FCXR54215000	21k5	R139
FCXR54215000	21k5	R140
FCXR55100000	100k	R141
FCXR55100000	100k	R142
FCXR54215000	21k5	R143
FCXR54215000	21k5	R144
FCXR55100000	100k	R145
FCXR55100000	100k	R146
FCXR55100000	100k	R147
FCXR55100000	100k	R148
FCXR55100000	100k	R149
FCXR55100000	100k	R150
FCXR55100000	100k	R151
FCXR55100000	100k	R152
FCXR55100000	100k	R153
FCXR55100000	100k	R154
FCXR55100000	100k	R155
FCXR55100000	100k	R156
FCXR55100000	100k	R157
FCXR55100000	100k	R158
FCXR55100000	100k	R159
FCXR55100000	100k	R160
FCXR54316000	31k6	R161
FCXR54316000	31k6	R162
FCXR55100000	100k	R163
FCXR55100000	100k	R164
FCXR54316000	31k6	R165
FCXR54316000	31k6	R166
FCXR55100000	100k	R167
FCXR55100000	100k	R168
FCXR52100000	100.0	R169
FCXR52100000	100.0	R170
FCXR52100000	100.0	R171
FCXR52100000	100.0	R172
FCXR54100000	10k0	R173
FCXR54100000	10k0	R174
FCXR54100000	10k0	R175
FCXR54100000	10k0	R176
FCXR53825000	8k25	R177
FCXR53825000	8k25	R178
FCXR53825000	8k25	R179

**PARTS LIST: PRINTED CIRCUIT 11.1058.04.00**

<b>Code</b>	<b>Description</b>	<b>Reference</b>
FCXR53825000	8k25	R180
FCXR55100000	100k	R181
FCXR55100000	100k	R182
FCXR54215000	21k5	R183
FCXR54215000	21k5	R184
FCXR55100000	100k	R185
FCXR55100000	100k	R186
FCXR54215000	21k5	R187
FCXR54215000	21k5	R188
FCXR53348000	3k48	R189
FCXR53348000	3k48	R190
FCXR53348000	3k48	R191
FCXR55100000	100k	R192
FCXR53348000	3k48	R193
FCXR55100000	100k	R194
FCXR52100000	100.0	R195
FCXR52100000	100.0	R196
FCXR55100000	100k	R197
FCXR55100000	100k	R198
FCXR55100000	100k	R199
FCXR55100000	100k	R200
FCXR55100000	100k	R201
FCXR55100000	100k	R202
FCXR55100000	100k	R203
FCXR55100000	100k	R204
FCXR53121000	1k21	R205
FCXR53121000	1k21	R206
FCXR53121000	1k21	R207
FCXR53121000	1k21	R208
FCXR55215000	215k	R209
FCXR55215000	215k	R210
FCXR54383000	38k3	R211
FCXR54316000	31k6	R212
FCXR54316000	31k6	R213
FCXR55100000	100k	R214
FCXR55100000	100k	R215
FCXR54383000	38k3	R216
FCXR54316000	31k6	R217
FCXR54316000	31k6	R218
FCXR55100000	100k	R219
FCXR55100000	100k	R220
FCXR54383000	38k3	R221
FCXR54383000	38k3	R222
FCXR54100000	10k0	R223
FCXR54100000	10k0	R224
FCXR54100000	10k0	R225
FCXR54100000	10k0	R226
FCXR53825000	8k25	R227
FCXR53825000	8k25	R228
FCXR54215000	21k5	R229
FCXR54215000	21k5	R230
FCXR54215000	21k5	R231
FCXR54215000	21k5	R232
FCXR54750000	75k0	R233
FCXR54750000	75k0	R234
FCXR55100000	100k	R235

**PARTS LIST: PRINTED CIRCUIT 11.1058.04.00**

<b>Code</b>	<b>Description</b>	<b>Reference</b>
FCXR55100000	100k	R236
FCXR55100000	100k	R237
FCXR55100000	100k	R238
FCXR55100000	100k	R239
FCXR55100000	100k	R240
FCXR54100000	10k0	R241
FCXR54100000	10k0	R242
FCXR54100000	10k0	R243
FCXR54100000	10k0	R244
FCXR54316000	31k6	R245
FCXR54316000	31k6	R246
FCXR54133000	13k3	R247
FCXR54316000	31k6	R248
FCXR54316000	31k6	R249
FCXR54133000	13k3	R250
FCXR54133000	13k3	R251
FCXR54133000	13k3	R252
FCXR54100000	10k0	R253
FCXR54100000	10k0	R254
FCXR54100000	10k0	R255
FCXR54100000	10k0	R256
FCXR54100000	10k0	R257
FCXR54100000	10k0	R258
FCXR54100000	10k0	R259
FCXR54100000	10k0	R260
FCXR54100000	10k0	R261
FCXR54100000	10k0	R262
FCXR54100000	10k0	R263
FCXR54100000	10k0	R264
FCXR54100000	10k0	R265
FCXR54100000	10k0	R266
FCXR54100000	10k0	R267
FCXR54100000	10k0	R268
FCXR54100000	10k0	R269
FCXR54100000	10k0	R270
FCXR54100000	10k0	R271
FCXR54100000	10k0	R272
FCXR54100000	10k0	R273
FCXR54100000	10k0	R274
FCXR54100000	10k0	R275
FCXR54100000	10k0	R276
FCXR54100000	10k0	R277
FCXR54100000	10k0	R278
FCXR54100000	10k0	R279
FCXR54100000	10k0	R280
FCXR54100000	10k0	R281
FCXR54100000	10k0	R282
FCXR54100000	10k0	R283
FCXR54100000	10k0	R284
FCXR51750000	75.0	R285
FCXR51750000	75.0	R286
FCXR51750000	75.0	R287
FCXR51750000	75.0	R288
FCXR51750000	75.0	R289
FCXR51750000	75.0	R290
FCXR51750000	75.0	R291

**PARTS LIST: PRINTED CIRCUIT 11.1058.04.00**

Code	Description	Reference
FCXR51750000	75.0	R292
FCXR53100000	1k0	R293
FCRJC5100000	10k	R294
FCXR53100000	1k0	R295
FCXR53100000	1k0	R296
FCRJC5100000	10k	R297
FCXR53100000	1k0	R298
FCXR53100000	1k0	R299
FCRJC5100000	10k	R300
FCXR53100000	1k0	R301
FCXR53100000	1k0	R302
FCRJC5100000	10k	R303
FCXR53100000	1k0	R304
FCXR55100000	100k	R305
FCXR55100000	100k	R306
FCXR55100000	100k	R307
FCXR55100000	100k	R308
FCXR55100000	100k	R309
FCXR55100000	100k	R310
FCXR55100000	100k	R311
FCXR55100000	100k	R312
FCXR51750000	75.0	R313
FCXR51750000	75.0	R314
FCXR51750000	75.0	R315
FCXR51750000	75.0	R316
FCXR51750000	75.0	R317
FCXR51750000	75.0	R318
FCXR51750000	75.0	R319
FCXR51750000	75.0	R320
FCXR54100000	10k0	R321
FCXR54100000	10k0	R322
FCXR53215000	2k15	R323
FCXR53215000	2k15	R324
FCXR53464000	4k64	R325
FCXR53464000	4k64	R326
FCXR53464000	4k64	R327
FCXR53464000	4k64	R328
FCXR53464000	4k64	R329
FCXR53464000	4k64	R330
FCXR53464000	4k64	R331
FCXR53464000	4k64	R332
FCRF22100000	NF10/ 1/2	R333
FCXR55100000	100k	R334
FCXR55100000	100k	R335
FCXR55100000	100k	R336
FCXR55100000	100k	R337
FCXR55100000	100k	R338
FCXR55100000	100k	R339
FCXR55100000	100k	R340
FCXR55100000	100k	R341
FCXR55100000	100k	R342
FCXR55100000	100k	R343
FCXR55100000	100k	R344
FCXR55100000	100k	R345
FCXR55100000	100k	R346
FCXR55100000	100k	R347

**PARTS LIST: PRINTED CIRCUIT 11.1058.04.00**

<b>Code</b>	<b>Description</b>	<b>Reference</b>
FCXR55100000	100k	R348
FCXR55100000	100k	R349
FCXR54110000	11k0	R350
FCXR55464000	464k	R351
FCXR54110000	11k0	R352
FCXR55464000	464k	R353
FCXR54110000	11k0	R354
FCXR55464000	464k	R355
FCXR54110000	11k0	R356
FCXR55464000	464k	R357
FCXR55100000	100k	R358
FCXR55100000	100k	R359
FCXR55100000	100k	R360
FCXR55100000	100k	R361
FCPR21704000	50kB	R362
FCPR21704000	50kB	R363
FCXR55464000	464k	R364
FCXR55464000	464k	R365
FCXR54110000	11k0	R366
FCXR55464000	464k	R367
FCXR54110000	11k0	R368
FCXR55464000	464k	R369
FCXR54110000	11k0	R370
FCXR55464000	464k	R371
FCXR54110000	11k0	R372
FCXR55464000	464k	R373
FCXR53100000	1k0	R374
FCXR53100000	1k0	R375
FCXR53100000	1k0	R376
FCXR53100000	1k0	R377
FCXR55100000	100k	R378
FCXR55100000	100k	R379
FCXR55100000	100k	R380
FCXR55100000	100k	R381
FCXR55383000	383k	R382
FCXR55383000	383k	R383
FCXR54237000	23k7	R384
FCXR54237000	23k7	R385
FCXR54237000	23k7	R386
FCXR54237000	23k7	R387
FCXR54162000	16k2	R388
FCXR54162000	16k2	R389
FCXR54162000	16k2	R390
FCXR54162000	16k2	R391
FCXR53100000	1k0	R392
FCXR53100000	1k0	R393
FCXR54348000	34k8	R394
FCXR54237000	23k7	R395
FCXR54348000	34k8	R396
FCXR54237000	23k7	R397
FCXR54348000	34k8	R398
FCXR54237000	23k7	R399
FCXR54348000	34k8	R400
FCXR54237000	23k7	R401
FCXR54348000	34k8	R402
FCXR54237000	23k7	R403

**PARTS LIST: PRINTED CIRCUIT 11.1058.04.00**

<b>Code</b>	<b>Description</b>	<b>Reference</b>
FCXR54348000	34k8	R404
FCXR54237000	23k7	R405
FCXR54348000	34k8	R406
FCXR54237000	23k7	R407
FCXR54348000	34k8	R408
FCXR54237000	23k7	R409
FCXR52825000	825	R410
FCXR52825000	825	R411
FCXR54237000	23k7	R412
FCXR54348000	34k8	R413
FCXR54237000	23k7	R414
FCXR54348000	34k8	R415
FCXR54237000	23k7	R416
FCXR54348000	34k8	R417
FCXR54237000	23k7	R418
FCXR54348000	34k8	R419
FCXR54237000	23k7	R420
FCXR54237000	23k7	R421
FCXR54237000	23k7	R422
FCXR54237000	23k7	R423
FCXR53511000	5k11	R424
FCXR53511000	5k11	R425
FCPR21704000	50kB	R426
FCPR21704000	50kB	R427
FCPR21704000	50kB	R428
FCPR21704000	50kB	R429
FCPR21704000	50kB	R430
FCPR21704000	50kB	R431
FCXR54215000	21k5	R432
FCXR54215000	21k5	R433
FCXR54215000	21k5	R434
FCXR54215000	21k5	R435
FCXR54215000	21k5	R436
FCXR54215000	21k5	R437
FCXR54215000	21k5	R438
FCXR54215000	21k5	R439
FCXR54215000	21k5	R440
FCXR54215000	21k5	R441
FCXR54215000	21k5	R442
FCXR54215000	21k5	R443
FCXR53348000	3k48	R444
FCXR55100000	100k	R445
FCXR53348000	3k48	R446
FCXR55100000	100k	R447
FCXR54681000	68k1	R448
FCXR54681000	68k1	R449
FCXR54681000	68k1	R450
FCXR54681000	68k1	R451
FCXR54464000	46k4	R452
FCXR55100000	100k	R453
FCXR55100000	100k	R454
FCXR54464000	46k4	R455
FCXR55100000	100k	R456
FCXR55100000	100k	R457
FCXR55100000	100k	R458
FCXR55100000	100k	R459

**PARTS LIST: PRINTED CIRCUIT 11.1058.04.00**

<b>Code</b>	<b>Description</b>	<b>Reference</b>
FCXR55100000	100k	R460
FCXR55100000	100k	R461
FCXR52562000	562	R462
FCXR54316000	31k6	R463
FCXR54316000	31k6	R464
FCXR52562000	562	R465
FCXR54316000	31k6	R466
FCXR54316000	31k6	R467
FCXR54316000	31k6	R468
FCXR54316000	31k6	R469
FCXR54316000	31k6	R470
FCXR54316000	31k6	R471
FCPR21006000	10kA	R472
FCPR21006000	10kA	R473
FCXR54316000	31k6	R474
FCXR54316000	31k6	R475
FCXR54316000	31k6	R476
FCXR54316000	31k6	R477
FCXR55100000	100k	R478
FCXR55100000	100k	R479
FCXR55100000	100k	R480
FCXR55100000	100k	R481
FCXR55100000	100k	R482
FCXR55100000	100k	R483
FCXR55100000	100k	R484
FCXR55100000	100k	R485
FCXR55100000	100k	R486
FCXR55100000	100k	R487
FCXR55100000	100k	R488
FCXR55100000	100k	R489
FCXR55100000	100k	R490
FCXR55100000	100k	R491
FCXR55100000	100k	R492
FCXR55100000	100k	R493
FCXR54110000	11k0	R494
FCXR55464000	464k	R495
FCXR54110000	11k0	R496
FCXR55464000	464k	R497
FCXR54110000	11k0	R498
FCXR55464000	464k	R499
FCXR54110000	11k0	R500
FCXR55464000	464k	R501
FCXR55100000	100k	R502
FCXR55100000	100k	R503
FCXR55100000	100k	R504
FCXR55100000	100k	R505
FCPR21704000	50kB	R506
FCPR21704000	50kB	R507
FCXR55464000	464k	R508
FCXR55464000	464k	R509
FCXR54110000	11k0	R510
FCXR55464000	464k	R511
FCXR54110000	11k0	R512
FCXR55464000	464k	R513
FCXR54110000	11k0	R514
FCXR55464000	464k	R515

**PARTS LIST: PRINTED CIRCUIT 11.1058.04.00**

<b>Code</b>	<b>Description</b>	<b>Reference</b>
FCXR54110000	11k0	R516
FCXR55464000	464k	R517
FCXR53100000	1k0	R518
FCXR53100000	1k0	R519
FCXR53100000	1k0	R520
FCXR53100000	1k0	R521
FCXR55100000	100k	R522
FCXR55100000	100k	R523
FCXR55100000	100k	R524
FCXR55100000	100k	R525
FCXR55383000	383k	R526
FCXR55383000	383k	R527
FCXR54237000	23k7	R528
FCXR54237000	23k7	R529
FCXR54237000	23k7	R530
FCXR54237000	23k7	R531
FCXR54162000	16k2	R532
FCXR54162000	16k2	R533
FCXR54162000	16k2	R534
FCXR54162000	16k2	R535
FCXR53100000	1k0	R536
FCXR53100000	1k0	R537
FCXR54348000	34k8	R538
FCXR54237000	23k7	R539
FCXR54348000	34k8	R540
FCXR54237000	23k7	R541
FCXR54348000	34k8	R542
FCXR54237000	23k7	R543
FCXR54348000	34k8	R544
FCXR54237000	23k7	R545
FCXR54348000	34k8	R546
FCXR54237000	23k7	R547
FCXR54348000	34k8	R548
FCXR54237000	23k7	R549
FCXR54348000	34k8	R550
FCXR54237000	23k7	R551
FCXR54348000	34k8	R552
FCXR54237000	23k7	R553
FCXR52825000	825	R554
FCXR52825000	825	R555
FCXR54237000	23k7	R556
FCXR54348000	34k8	R557
FCXR54237000	23k7	R558
FCXR54348000	34k8	R559
FCXR54237000	23k7	R560
FCXR54348000	34k8	R561
FCXR54237000	23k7	R562
FCXR54348000	34k8	R563
FCXR54237000	23k7	R564
FCXR54237000	23k7	R565
FCXR54237000	23k7	R566
FCXR54237000	23k7	R567
FCXR53511000	5k11	R568
FCXR53511000	5k11	R569
FCPR21704000	50kB	R570
FCPR21704000	50kB	R571



**PARTS LIST: PRINTED CIRCUIT 11.1058.04.00**

<b>Code</b>	<b>Description</b>	<b>Reference</b>
FCPR21704000	50kB	R572
FCPR21704000	50kB	R573
FCPR21704000	50kB	R574
FCPR21704000	50kB	R575
FCXR54215000	21k5	R576
FCXR54215000	21k5	R577
FCXR54215000	21k5	R578
FCXR54215000	21k5	R579
FCXR54215000	21k5	R580
FCXR54215000	21k5	R581
FCXR54215000	21k5	R582
FCXR54215000	21k5	R583
FCXR54215000	21k5	R584
FCXR54215000	21k5	R585
FCXR54215000	21k5	R586
FCXR54215000	21k5	R587
FCXR53348000	3k48	R588
FCXR55100000	100k	R589
FCXR53348000	3k48	R590
FCXR55100000	100k	R591
FCXR54681000	68k1	R592
FCXR54681000	68k1	R593
FCXR54681000	68k1	R594
FCXR54681000	68k1	R595
FCXR54464000	46k4	R596
FCXR55100000	100k	R597
FCXR55100000	100k	R598
FCXR54464000	46k4	R599
FCXR55100000	100k	R600
FCXR55100000	100k	R601
FCXR55100000	100k	R602
FCXR55100000	100k	R603
FCXR55100000	100k	R604
FCXR55100000	100k	R605
FCXR52562000	562	R606
FCXR54316000	31k6	R607
FCXR54316000	31k6	R608
FCXR52562000	562	R609
FCXR54316000	31k6	R610
FCXR54316000	31k6	R611
FCXR54316000	31k6	R612
FCXR54316000	31k6	R613
FCXR54316000	31k6	R614
FCXR54316000	31k6	R615
FCPR21006000	10kA	R616
FCPR21006000	10kA	R617
FCXR54316000	31k6	R618
FCXR54316000	31k6	R619
FCXR54316000	31k6	R620
FCXR54316000	31k6	R621
FCXR55100000	100k	R622
FCXR55100000	100k	R623
FCXR55100000	100k	R624
FCXR55100000	100k	R625
FCXR55100000	100k	R626
FCXR55100000	100k	R627

**PARTS LIST: PRINTED CIRCUIT 11.1058.04.00**

<b>Code</b>	<b>Description</b>	<b>Reference</b>
FCXR55100000	100k	R628
FCXR55100000	100k	R629
FCXR55100000	100k	R630
FCXR55100000	100k	R631
FCXR55100000	100k	R632
FCXR55100000	100k	R633
FCXR55100000	100k	R634
FCXR55100000	100k	R635
FCXR55100000	100k	R636
FCXR55100000	100k	R637
FCXR54110000	11k0	R638
FCXR55464000	464k	R639
FCXR54110000	11k0	R640
FCXR55464000	464k	R641
FCXR54110000	11k0	R642
FCXR55464000	464k	R643
FCXR54110000	11k0	R644
FCXR55464000	464k	R645
FCXR55100000	100k	R646
FCXR55100000	100k	R647
FCXR55100000	100k	R648
FCXR55100000	100k	R649
FCPR21704000	50kB	R650
FCPR21704000	50kB	R651
FCXR55464000	464k	R652
FCXR55464000	464k	R653
FCXR54110000	11k0	R654
FCXR55464000	464k	R655
FCXR54110000	11k0	R656
FCXR55464000	464k	R657
FCXR54110000	11k0	R658
FCXR55464000	464k	R659
FCXR54110000	11k0	R660
FCXR55464000	464k	R661
FCXR53100000	1k0	R662
FCXR53100000	1k0	R663
FCXR53100000	1k0	R664
FCXR53100000	1k0	R665
FCXR55100000	100k	R666
FCXR55100000	100k	R667
FCXR55100000	100k	R668
FCXR55100000	100k	R669
FCXR55383000	383k	R670
FCXR55383000	383k	R671
FCXR54237000	23k7	R672
FCXR54237000	23k7	R673
FCXR54237000	23k7	R674
FCXR54237000	23k7	R675
FCXR54162000	16k2	R676
FCXR54162000	16k2	R677
FCXR54162000	16k2	R678
FCXR54162000	16k2	R679
FCXR53100000	1k0	R680
FCXR53100000	1k0	R681
FCXR54348000	34k8	R682
FCXR54237000	23k7	R683

**PARTS LIST: PRINTED CIRCUIT 11.1058.04.00**

<b>Code</b>	<b>Description</b>	<b>Reference</b>
FCXR54348000	34k8	R684
FCXR54237000	23k7	R685
FCXR54348000	34k8	R686
FCXR54237000	23k7	R687
FCXR54348000	34k8	R688
FCXR54237000	23k7	R689
FCXR54348000	34k8	R690
FCXR54237000	23k7	R691
FCXR54348000	34k8	R692
FCXR54237000	23k7	R693
FCXR54348000	34k8	R694
FCXR54237000	23k7	R695
FCXR54348000	34k8	R696
FCXR54237000	23k7	R697
FCXR52825000	825	R698
FCXR52825000	825	R699
FCXR54237000	23k7	R700
FCXR54348000	34k8	R701
FCXR54237000	23k7	R702
FCXR54348000	34k8	R703
FCXR54237000	23k7	R704
FCXR54348000	34k8	R705
FCXR54237000	23k7	R706
FCXR54348000	34k8	R707
FCXR54237000	23k7	R708
FCXR54237000	23k7	R709
FCXR54237000	23k7	R710
FCXR54237000	23k7	R711
FCXR53511000	5k11	R712
FCXR53511000	5k11	R713
FCPR21704000	50kB	R714
FCPR21704000	50kB	R715
FCPR21704000	50kB	R716
FCPR21704000	50kB	R717
FCPR21704000	50kB	R718
FCPR21704000	50kB	R719
FCXR54215000	21k5	R720
FCXR54215000	21k5	R721
FCXR54215000	21k5	R722
FCXR54215000	21k5	R723
FCXR54215000	21k5	R724
FCXR54215000	21k5	R725
FCXR54215000	21k5	R726
FCXR54215000	21k5	R727
FCXR54215000	21k5	R728
FCXR54215000	21k5	R729
FCXR54215000	21k5	R730
FCXR54215000	21k5	R731
FCXR53348000	3k48	R732
FCXR55100000	100k	R733
FCXR53348000	3k48	R734
FCXR55100000	100k	R735
FCXR54681000	68k1	R736
FCXR54681000	68k1	R737
FCXR54681000	68k1	R738
FCXR54681000	68k1	R739

**PARTS LIST: PRINTED CIRCUIT 11.1058.04.00**

Code	Description	Reference
FCXR54464000	46k4	R740
FCXR55100000	100k	R741
FCXR55100000	100k	R742
FCXR54464000	46k4	R743
FCXR55100000	100k	R744
FCXR55100000	100k	R745
FCXR55100000	100k	R746
FCXR55100000	100k	R747
FCXR55100000	100k	R748
FCXR55100000	100k	R749
FCXR52562000	562	R750
FCXR54316000	31k6	R751
FCXR54316000	31k6	R752
FCXR52562000	562	R753
FCXR54316000	31k6	R754
FCXR54316000	31k6	R755
FCXR54316000	31k6	R756
FCXR54316000	31k6	R757
FCXR54316000	31k6	R758
FCXR54316000	31k6	R759
FCPR21006000	10kA	R760
FCPR21006000	10kA	R761
FCXR54316000	31k6	R762
FCXR54316000	31k6	R763
FCXR54316000	31k6	R764
FCXR54316000	31k6	R765
FCXR54464000	46k4	R766
FCXR54464000	46k4	R767
FCXR54100000	10k0	R768
FCXR52562000	562	R769
FCXR54100000	10k0	R770
FCXR52562000	562	R771
FCXR54316000	31k6	R772
FCXR54316000	31k6	R773
FCXR54316000	31k6	R774
FCXR54316000	31k6	R775
FCXR55100000	100k	R776
FCXR55100000	100k	R777
FCXR55100000	100k	R778
FCXR55100000	100k	R779
FCXR55100000	100k	R780
FCXR55100000	100k	R781
FCXR55100000	100k	R782
FCXR55100000	100k	R783
FCXR64243000	24k3 0.5%	R784
FCXR64243000	24k3 0.5%	R785
FCXR64243000	24k3 0.5%	R786
FCXR64243000	24k3 0.5%	R787
FCXR55147000	147k	R788
FCXR55147000	147k	R789
FCXR55147000	147k	R790
FCXR55147000	147k	R791
FCXR54100000	10k0	R792
FCXR54100000	10k0	R793
FCXR54100000	10k0	R794
FCXR54100000	10k0	R795

**PARTS LIST: PRINTED CIRCUIT 11.1058.04.00**

<b>Code</b>	<b>Description</b>	<b>Reference</b>
FCXR64243000	24k3 0.5%	R796
FCXR64243000	24k3 0.5%	R797
FCXR64243000	24k3 0.5%	R798
FCXR64243000	24k3 0.5%	R799
FCXR52100000	100.0	R800
FCXR52100000	100.0	R801
FCXR52100000	100.0	R802
FCXR52100000	100.0	R803
FCPR21006000	10kA	R804
FCXR53100000	1k0	R805
FCXR53100000	1k0	R806
FCXR54316000	31k6	R807
FCXR54316000	31k6	R808
FCXR54316000	31k6	R809
FCXR54316000	31k6	R810
FCXR52562000	562	R811
FCXR55100000	100k	R812
FCXR55100000	100k	R813
FCXR64243000	24k3 0.5%	R814
FCXR64243000	24k3 0.5%	R815
FCXR64243000	24k3 0.5%	R816
FCXR64243000	24k3 0.5%	R817
FCXR55100000	100k	R818
FCXR55100000	100k	R819
FCXR64243000	24k3 0.5%	R820
FCXR64243000	24k3 0.5%	R821
FCXR64243000	24k3 0.5%	R822
FCXR64243000	24k3 0.5%	R823
FCXR54100000	10k0	R824
FCXR54100000	10k0	R825
FCXR55100000	100k	R826
FCXR55100000	100k	R827
FCXR54100000	10k0	R828
FCXR54100000	10k0	R829
FCXR55100000	100k	R830
FCXR55100000	100k	R831
FCXR55100000	100k	R832
FCXR55100000	100k	R833
FCXR54316000	31k6	R834
FCXR54316000	31k6	R835
FCXR54316000	31k6	R836
FCXR54316000	31k6	R837
FCXR54316000	31k6	R838
FCXR54316000	31k6	R839
FCXR54316000	31k6	R840
FCXR54316000	31k6	R841
FCXR54316000	31k6	R842
FCXR54316000	31k6	R843
FCXR54316000	31k6	R844
FCXR54316000	31k6	R845
FCXR54316000	31k6	R846
FCXR54316000	31k6	R847
FCXR55100000	100k	R848
FCXR55100000	100k	R849
FCXR55100000	100k	R850
FCXR55100000	100k	R851

**PARTS LIST: PRINTED CIRCUIT 11.1058.04.00**

<b>Code</b>	<b>Description</b>	<b>Reference</b>
FCXR55100000	100k	R852
FCXR55100000	100k	R853
FCPR21006000	10kA	R854
FCXR54750000	75k0	R855
FCXR54750000	75k0	R856
FCXR53196000	1k96	R857
FCXR53196000	1k96	R858
FCXR54681000	68k1	R859
FCXR54681000	68k1	R860
FCXR54100000	10k0	R861
FCXR54100000	10k0	R862
FCXR55237000	237k	R863
FCXR54100000	10k0	R864
FCXR54100000	10k0	R865
FCRJC5220000	22k	R866
FCRJC5220000	22k	R867
FCXR53100000	1k0	R868
FCXR53100000	1k0	R869
FCXR51750000	75.0	R870
FCXR51750000	75.0	R871
FCXR55100000	100k	R872
FCXR55100000	100k	R873
FCXR55100000	100k	R874
FCXR53100000	1k0	R875
FCXR53100000	1k0	R876
FCXR53100000	1k0	R877
FCXR54100000	10k0	R878
FCXR53100000	1k0	R879
FCXR53100000	1k0	R880
FCXR52562000	562	R881
FCXR55100000	100k	R882
FCXR55100000	100k	R883
FCXR53196000	1k96	R884
FCXR53196000	1k96	R885
FCPR21704000	50kB	R886
FCXR53196000	1k96	R887
FCXR54100000	10k0	R888
FCXR55100000	100k	R889
FCXR55100000	100k	R890
FCPR21006000	10kA	R891
FCXR53121000	1k21	R892
FCXR54100000	10k0	R893
FCXR53261000	2k61	R894
FCXR53100000	1k0	R895
FCXR53100000	1k0	R896
FCXR54100000	10k0	R897
FCXR54100000	10k0	R898
FCPR20204000	5kB	R899
FCXR53100000	1k0	R900
FCXR53100000	1k0	R901
FCXR54100000	10k0	R902
FCXR54100000	10k0	R903
FCPR21006000	10kA	R904
FCPR21006000	10kA	R905
FCXR54100000	10k0	R906
FCXR54100000	10k0	R907

**PARTS LIST: PRINTED CIRCUIT 11.1058.04.00**

<b>Code</b>	<b>Description</b>	<b>Reference</b>
FCPR20204000	5kB	R908
FCXR54100000	10k0	R909
FCXR54100000	10k0	R910
FCPR21006000	10kA	R911
FCXR51750000	75.0	R912
FCXR51750000	75.0	R913
FCXR55100000	100k	R914
FCXR55100000	100k	R915
FCXR52562000	562	R916
FCXR52562000	562	R917
FCXR53511000	5k11	R918
FCXR53511000	5k11	R919
FCXR51750000	75.0	R920
FCXR51750000	75.0	R921
FCXR52562000	562	R922
FCXR53619000	6k19	R923
FCXR53619000	6k19	R924
FCXR53422000	4k22	R925
FCXR55100000	100k	R926
FCXR55100000	100k	R927
FCXR51750000	75.0	R928
FCXR51750000	75.0	R929
FCXR54100000	10k0	R930
FCXR54100000	10k0	R931
FCXR53147000	1k47	R932
FCPR12004000	500kD	R933
FCXR53121000	1k21	R934
FCXR53422000	4k22	R935
FCXR53196000	1k96	R936
FCXR55100000	100k	R937
FCXR55100000	100k	R938
FCXR54100000	10k0	R939
FCXR54100000	10k0	R940
FCXR55100000	100k	R941
FCXR55100000	100k	R942
FCXR52562000	562	R943
FCXR53316000	3k16	R944
FCXR53316000	3k16	R945
FCXR55100000	100k	R946
FCXR55100000	100k	R947
FCXR55100000	100k	R948
FCXR55100000	100k	R949
FCXR54215000	21k5	R950
FCXR54215000	21k5	R951
FCXR54215000	21k5	R952
FCXR54215000	21k5	R953
FCXR54215000	21k5	R954
FCXR54215000	21k5	R955
FRCRJC5100000	10K	R956
FRCRJC5100000	10K	R957
FRCRJC5100000	10K	R958
FRCRJC5100000	10K	R959
FCXR53100000	1k0	R960
FCXR53100000	1k0	R961
FCXR53100000	1k0	R962
FCXR53100000	1k0	R963

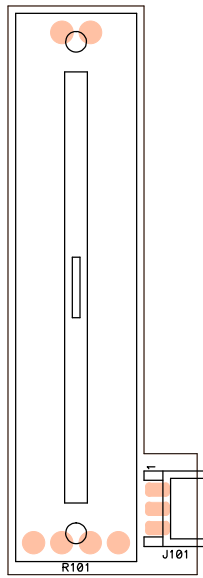
**PARTS LIST: PRINTED CIRCUIT 11.1058.04.00**


<b>Code</b>	<b>Description</b>	<b>Reference</b>
FCXR54100000	10k0	R964
FCXR54100000	10k0	R965
FCXR54383000	38k3	R966
FCXR54383000	38k3	R967
FCXR52147000	147	R968
FCXR52147000	147	R969
FCXR52147000	147	R970
FCXR52147000	147	R971
FCXR52147000	147	R972
FCXR52147000	147	R973
FCXR52147000	147	R974
FCXR52147000	147	R975
FCXR52147000	147	R976
FCXR52147000	147	R977
FCXR52147000	147	R978
FCXR52147000	147	R979
FCXR53215000	2k15	R980
FCXR53215000	2k15	R981
FCXR53215000	2k15	R982
FCXR53215000	2k15	R983
FCXR53215000	2k15	R984
FCXR53215000	2k15	R985
FCXR53215000	2k15	R986
FCXR53215000	2k15	R987
FCXR53383000	3k83	R988
FCXR54100000	10k0	R989
FCXR53383000	3k83	R990
FCXR54100000	10k0	R991
FCXR53422000	4k22	R992
FCXR54100000	10k0	R993
FCXR53422000	4k22	R994
FCXR54100000	10k0	R995
FCXR53215000	2k15	R996
FCXR53215000	2k15	R997
FCXR53215000	2k15	R998
FCXR53215000	2k15	R999
FCXR53215000	2k15	R1000
FCXR53215000	2k15	R1001
FCINTAP13000	8019L	S101
FCINTAP13000	8019L	S102
FCINTAP07900	LS001-A23BA	S103
FCINTAP07900	LS001-A23BA	S104
FCINTAP01500	17.010/CE	S105
FCINTAP01500	17.010/CE	S106
FCINTAP15000	TS40T-TS5	S107
FCINTAP15000	TS40T-TS5	S108
FCINTAP07900	LS001-A23BA	S109
FCINTAP07900	LS001-A23BA	S110
FCINTAP07900	LS001-A23BA	S111
FCINTAP07900	LS001-A23BA	S112
FCINTAP01500	17.010/CE	S113
FCINTAP01500	17.010/CE	S114
FCINTAP15000	TS40T-TS5	S115
FCINTAP15000	TS40T-TS5	S116
FCINTAP07900	LS001-A23BA	S117
FCINTAP07900	LS001-A23BA	S118

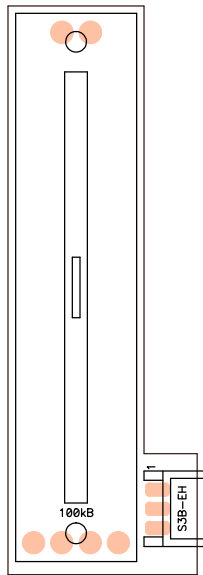



**PARTS LIST: PRINTED CIRCUIT 11.1058.04.00**

<b>Code</b>	<b>Description</b>	<b>Reference</b>
FCINTAP07900	LS001-A23BA	S119
FCINTAP07900	LS001-A23BA	S120
FCINTAP01500	17.010/CE	S121
FCINTAP01500	17.010/CE	S122
FCINTAP15000	TS40T-TS5	S123
FCINTAP15000	TS40T-TS5	S124
FCINTAP01500	17.010/CE	S125
FCINTAP01500	17.010/CE	S126
FCINTAP07900	LS001-A23BA	S127
FCINTAP07900	LS001-A23BA	S128
FCINTAP01500	17.010/CE	S129
FCINTAP01500	17.010/CE	S130
FCINTAP07900	LS001-A23BA	S131
FC0C01220000	1012.02.00	WI101
FC0C01220000	1012.02.00	WI102
FC4I00515000	1005.01.50	WI103
FC4R00220000	1002.02.00	WI104
FC4U00320000	1003.02.00	WI105
FC4I00515000	1005.01.50	WI106
FC4I00515000	1005.01.50	WI107
FC0B09510000	1095.01.00	WI108
FC0B09510000	1095.01.00	WI109



 LABORATORIO DE ELECTRO-ACUSTICA S.A.		related to:	circuit no: 11.0903-01.00 schema no: 10.0578-01.00 insertion file no:	side: Component
		project n:	M14/15-01	view: Reference
number: 33.0761	version: 01.00	product n:	HAK310-360	<h2>Potentiometer Ct.</h2>
drawn by: M. Amoros	date: 020422	approved:	Domingo Mele	



 LABORATORIO DE ELECTRO-ACUSTICA S.A.		related to:	circuit no: 11.0903-01.00 schema no: 10.0578-01.00 insertion file no:	side: Component
		project n:	M14/15-01	view: Value
number:	33.0762	version:	01.00	title: <b>Potentiometer Ct.</b>
drawn by:	M. Amoros	date:	020422	
		product n:	HAK310-360	
		approved:	Domingo Mele	

**PARTS LIST: PARTS LIST: PRINTED CIRCUIT 11.0903.01.00**

<b>Code</b>	<b>Description</b>	<b>Reference</b>
FCCITC090300	Printed Board 11.0903	CI101
FCCTM1003000	S3B-EH	J101
FRPOTD450100	Potentiometer 2x100kB 45mm ECLER	R101

## BURNING TEST

Leave the unit connected to its nominal mains voltage during 24 hours.

## SAFETY VERIFICATION TESTS

### Preliminary:

Unplug the unit to be tested from the mains outlet.

Short all ground terminals from signal inputs, outputs and other external connectors, except the mains plug's ground.

Turn ON the unit's main power switch.

### Ground continuity test:

Connect the tester probes between the mains ground contact and the unit's backside main ground test point. When applying a 10A current, verify that the ground impedance is lower than  $0'1\Omega$ .

### Electrical insulation test:

Connect the electrical insulation tester probes between the mains outlet ground contact and both shorted mains input poles.

Adjust the tester's current limit down to 10mA.

Apply 1500Vac during 5 seconds.

The unit's insulation should be able to resist this voltage, without generating spurious sparks or a sparkover effect, and the tester may not detect any malfunction.

*CAUTION: Do not disconnect nor touch the test probes until the test has finished completely!*

## QUALITY CONTROL

All mechanical parts should be visually revised, in order to detect scratches on the unit's painting; all screws should be on their place, correctly tight and unmarked. Check out the unit's general presentation.

## AC-6 MIXING CONSOLE – VERIFICATION PROCESS WITH MUSIC.

Input sensitivities:

LINE	-10dB
PHONO	-40dB
CD	0dB
MICRO	-50dB
MIX	0dB
RETURN	0dB

Output levels:

REC A	0dB
REC B	0dB
OUT 1	0dB/+6dB* (Bal)
OUT 2	0dB/+6dB* (Bal)
SEND	0dB
CUE	0dB
HEADPHONES	200mW /200Ω

\* Internally selectable

Initial Control position:

1. TREBLE, MID and LOW tone control centred.
2. GAIN control centred.
3. MASTER 1 and 2 at maximum level.
4. CROSSFADER centred.
5. FADERS to maximum position.
6. PHONO/CD/LINE selection buttons switched to CD.
7. PRE/POST switched to PRE.
8. XFADER A-OFF-B selector switches centred.
9. Release PFL pushbuttons.
10. OUT1-MIX-OUT2 Vu-meter selector centred.
11. BALANCE control centred.

*Note: Any change or manipulation on the unit's function selection switches, like input selectors, aux sends, etc should not have any influence on the mixer's output sound quality, as for instance appearance of hum noise, switching noise, faders scratches, etc. During the verification of fader sweeps, please note besides the correct attenuation curve, that the output signal remains free from scratch noise. In every case it is recommended to read carefully this verification procedure manual before checking the unit, in order to avoid errors while validating results.*

## VERIFICATION

1. Connect the unit to a 230Vac mains outlet.
2. Check the main power switch, POWER. Leave it ON.
3. Verify that the three green power indicating leds are lit (+5V, +18V and -18V).
4. Connect an amplifier to the unit's REC A output.
5. Before applying any input signal, verify that when manipulating the input selection switches (PHONO-CD-LINE, MICRO-CD-LINE) the background noise on every position remains low and free from hum, switch noise and scratches.
6. Connect a CD player to the unit's channel 1 CD Input.
7. Verify that the Signal Present (SP) led lights up (in green).
8. Watch the Vu-meter (MIX). Both channels, L and R, show approximately a 0dB level. Turn up the input gain level in order to light up all of the Vu-meter's leds, and check that all of them are in use.
9. Check that when a +10dB input level is given, the red PEAK-indicating warning led lights up.
10. Press the PFL selection switch, and check that it's yellow indicating led also lights up.
11. Verify that the PFL MONITOR Vu-meter also shows level on both L and R channels, and when increasing signal levels, all of the leds light up.
12. Verify the GAIN function: +15dB when turned to the right, -15dB when turned to the left. Return the GAIN knob to its central position.
13. Verify the TREBLE, MID, BASS tone control. Cut-type tones.
14. Check that the MIX Vu-meter shows increasing or decreasing levels as a function of the FADER position.
15. When testing the fader, check that when it's moved up and down, the output signal remains free from scratch noise. Leave the fader up to maximum level.
16. Verify that when XFADER OFF is chosen, the crossfader does not have any function or influence on the output signal.
17. XFADER A-OFF-B selector verification.
  - Select position A. Verify that the XFADER acts correctly, as when moved to the left (A) there is music on the output, and when moved to the right (B) the output signal disappears.
  - Select position B. Verify that the XFADER acts correctly, as when moved to the left (A) the output signal disappears, and when moved to the right (B) there is music on the output.
  - Verify the crossfader response curve by modifying its shape with the XF SHAPE control knob. When turned to the left, transition is smooth, when turned to the right the transition becomes faster.
18. Verify the PFL send. Connect a 200 to 600 $\Omega$  headphone set into the jack outlet.
  - Turn the SELECT knob to its central position.
  - Verify the VOLUME control knob sweep.
  - When turning the SELECT potentiometer to the right side (MIX), the headphones play the signal from the unit's mix bus.
  - Slide down the FADER to its minimum level, and check that the headphones remain in silence.
  - Turn the SELECT potentiometer to the left side (PFL), the headphones play now the music taken from the PFL bus.
  - Release the PFL pushbutton; the output signals are cutted off.
19. Auxiliary send AUX. Connect the output signal on the SEND outlet.
  - Verify the AUX SEND volume sweep.
  - Verify the PRE/POST selection switch. When switched to PRE, the SEND output signal is not affected by the FADER position. When switched to POST, the output level depends on the FADER.

20. Repeat the procedure from step 6 to 19 on the other inputs.
21. Verify the PHONO inputs.
  - Without signal, but using an input charge (a pick-up capsule, or if not available a 600Ω load impedance) the output signal should be free from hum and/or hiss.
  - While applying input signal (music), verify the RIAA filter response and check a correct balance between low and high frequencies (high and low tone). Check also that when an independent sound source is connected to the RCA-type CD input located near the PHONO plug, its signal is not transferred onto the PHONO channel (crosstalk). To ensure this fact, try this when disconnecting the input signal from the PHONO input.
22. Verify the MICRO inputs.
  - Connect a balanced microphone with phantom supply to the unit's backside XLR-COMBO-type socket. Check the OFF-PHANTOM switch. When turned OFF, the microphone shouldn't work.
  - Speak into the microphone and check the sound quality.
  - Verify the CMRR, as the output signal should sound clear and free from hum and hiss.

*Note: the MICRO input is usable both through the XLR and Jack inlets, as it uses a combo-type input socket. Verify both connection types.*
23. Verify the MIX input.
  - Connect a CD player to the unit's MIX input.
  - Check that the output signal is correct. Use any of the REC A or B, OUT 1, OUT 2 etc outputs as reference.
24. Verify the RETURN input.
  - Connect a CD player to the RETURN input.
  - Use any of the REC A or B, OUT 1, OUT 2 etc outputs as reference.
  - Check that the AUX RETURN volume control functions correctly.
  - Press the PFL signal send. Verify that the yellow indicating led lights up.
  - Verify that the returned signal is available through the headphones with a good sound quality.
25. Verifying the TALKOVER system.
  - Connect a microphone into channel 5, and choose the MICRO option on the selection switch.
  - Connect a CD player to channel 1, and choose the CD option on the selection switch.
  - Connect an amplifier to output OUT 1.
  - While the faders and master controls are moved to the maximum level, the output signal should carry both the music from the CD player and the speech from the microphone, mixed in a balanced proportion.
  - Press the MIC5 pushbutton. Check that a red led indicator lights up.
  - When talking into the microphone now, the music from the CD player should be damped.
  - Repeat this test while selecting different options on the TIME and ATT control knobs.
  - Repeat this test procedure for channel 6 also.



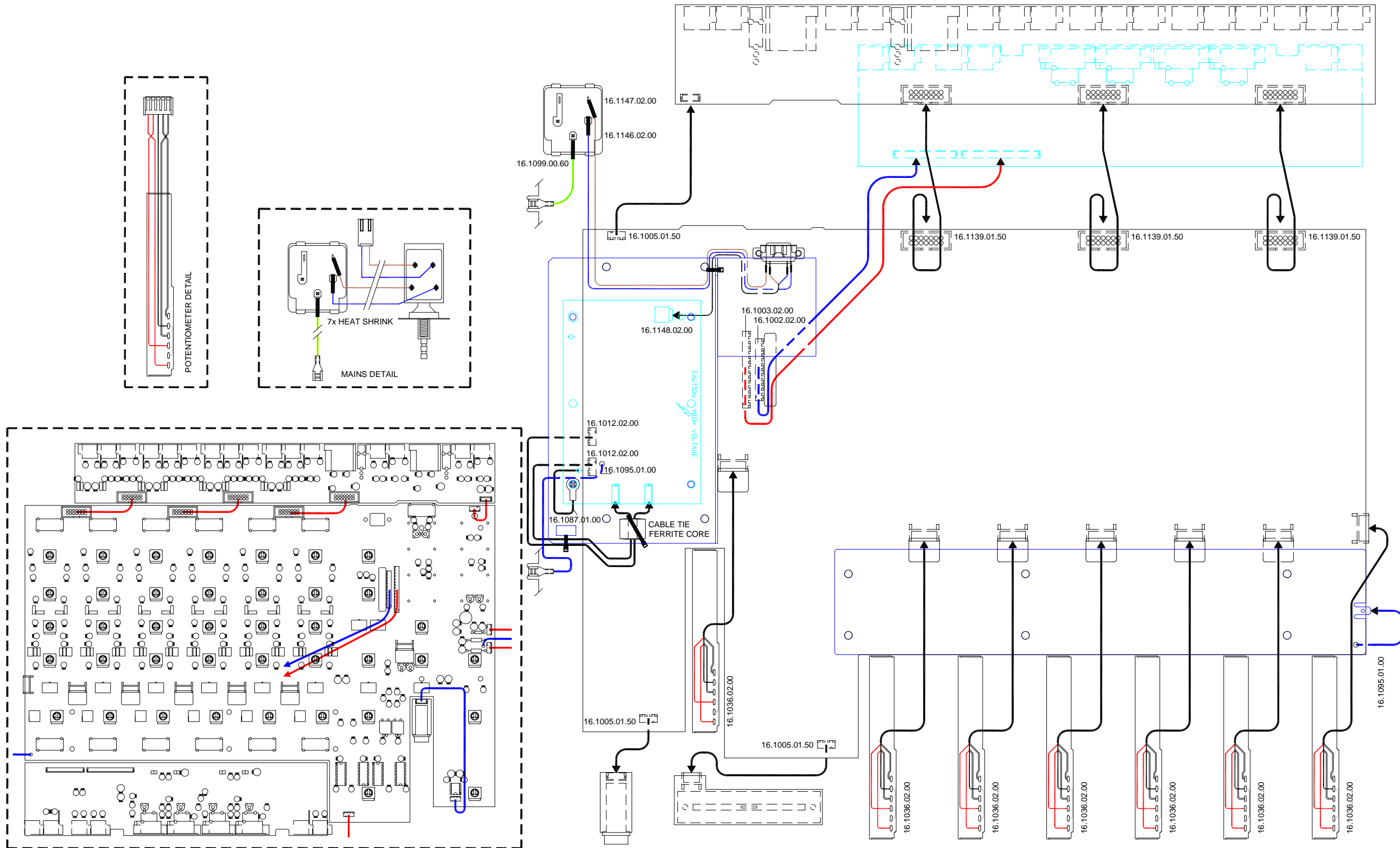
26. Verify the outputs.

- Connect a CD player to the unit's MIX input.
- Connect the amplifier to the unit's OUT 1 (bal) L&R output.
- Verify the unit's main MASTER 1 fader sweep; check that when MASTER 1 is moved down to its minimum level the output signal is cutted off. Slide the MASTER 1 fader up to its top again.
- Verify the L+R selector. Check that the yellow indicating led lights up.
- When disconnecting one of the input channels, the output signal appears to be the same on channel L and R, but with a 6dB level drop. Release again the L+R pushbutton.
- Verify the BAL 1-2 balance control.
- Check the OUT 2 (bal) output.
- Verify the unit's MASTER 2 fader sweep; check that when MASTER 2 is moved down to its minimum level the output signal is cutted off. Slide the MASTER 2 fader up to its top again.
- Check the CUE outputs. The SELECT potentiometer should be turned to its right (MIX). Verify now the CUE potentiometer sweep and attenuation.
- In case that during this testing procedure the outputs REC A and REC B have already been verified, it will not be necessary to test them again.

*Note: during the complete testing procedure, verify permanently the correct addressing between the inputs and outputs, specially concerning on L and R channelling, to verify the unit's internal signal connections.*

Inputs Sensitivity nom/Impedance	PHONO	-40 dBV/50k $\Omega$
	LINE	-10 dBV/50k $\Omega$
	CD	0 dBV/20k $\Omega$
	MICRO (BAL)	-65÷-35dBV/1.5k $\Omega$
	RETURN	0 dBV/100k $\Omega$
	MIX	0 dBV/20k $\Omega$
Outputs Level/Minimum Load	OUT 1 (BAL)	0(+6)dBV 600 $\Omega$ 1 (2)V
	OUT 2 (BAL)	0(+6)dBV 600 $\Omega$ 1 (2)V
	REC A	0dBV/1k $\Omega$
	REC B	0dBV/1k $\Omega$
	SEND	0dBV/10k $\Omega$
	CUE	0dBV/10k $\Omega$
	HEADPHONES	200mW/200 $\Omega$
Maximum Input level (full gain)	PHONO	-21dBV
	LINE	+9dBV
	CD	+11dBV
	MICRO	-31dBV
Frequency Response	PHONO	RIAA $\pm$ 0.5dB
	LINE/CD	10Hz÷40kHz -1dB
	MICRO	10Hz÷30kHz -1dB
THD+N	PHONO	<0.03%
	LINE	<0.02%
	CD	<0.01%
	MICRO	<0.03%
	RETURN	<0.02%
	MIX	<0.02%
CMRR	MICRO	>75dB 1kHz
Signal Noise Ratio	PHONO	>95dB
	LINE	>102dB
	CD	>105dB
	MICRO	>85dB
	RETURN	>105dB
	MIX	>105dB
Tone control	BASS	-30/+10dB
	MID	-25/+10dB
	TREBLE	-30/+10dB
Kill Filters (cut frequency at -6dB) Slope 12dB/oct in all the cases	LOW	200Hz
	HIGH	6.5kHz
	MID	200Hz & 6.5kHz
Phantom voltage		+18VDC/5mA max.
Mains		90-264 VAC 47-63 Hz
Power consumption		47VA
Dimensions		482.6x355x142.5mm
Weight		7.3kg

\*Internally selectable



drawn: *J. Colomines*  
 approved:

date: *060712*  
 title:

project:

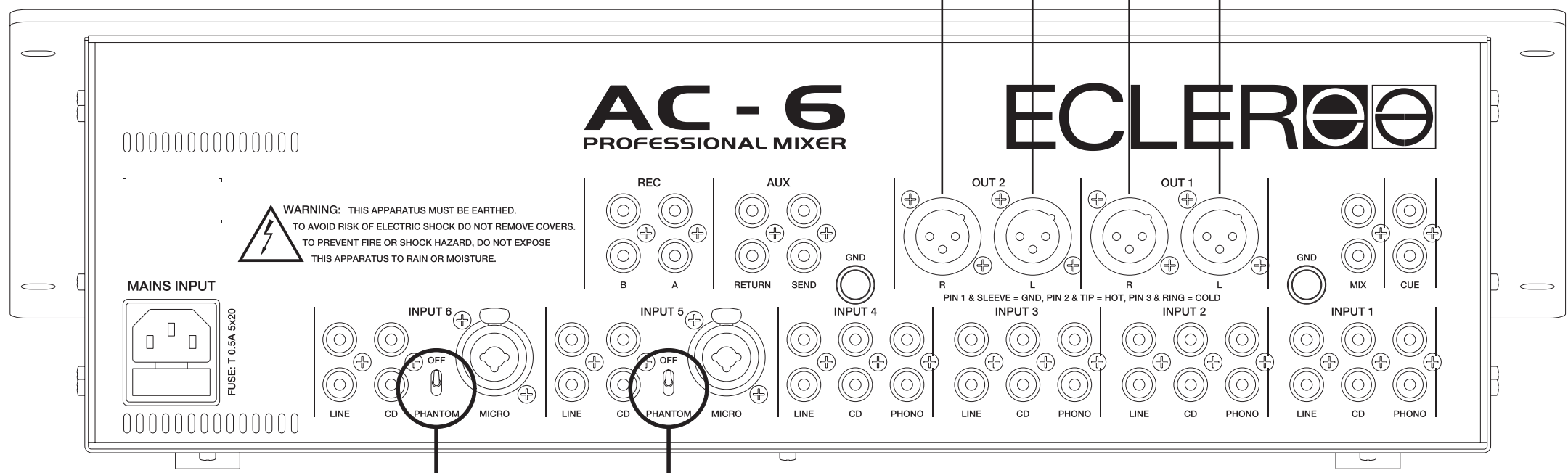
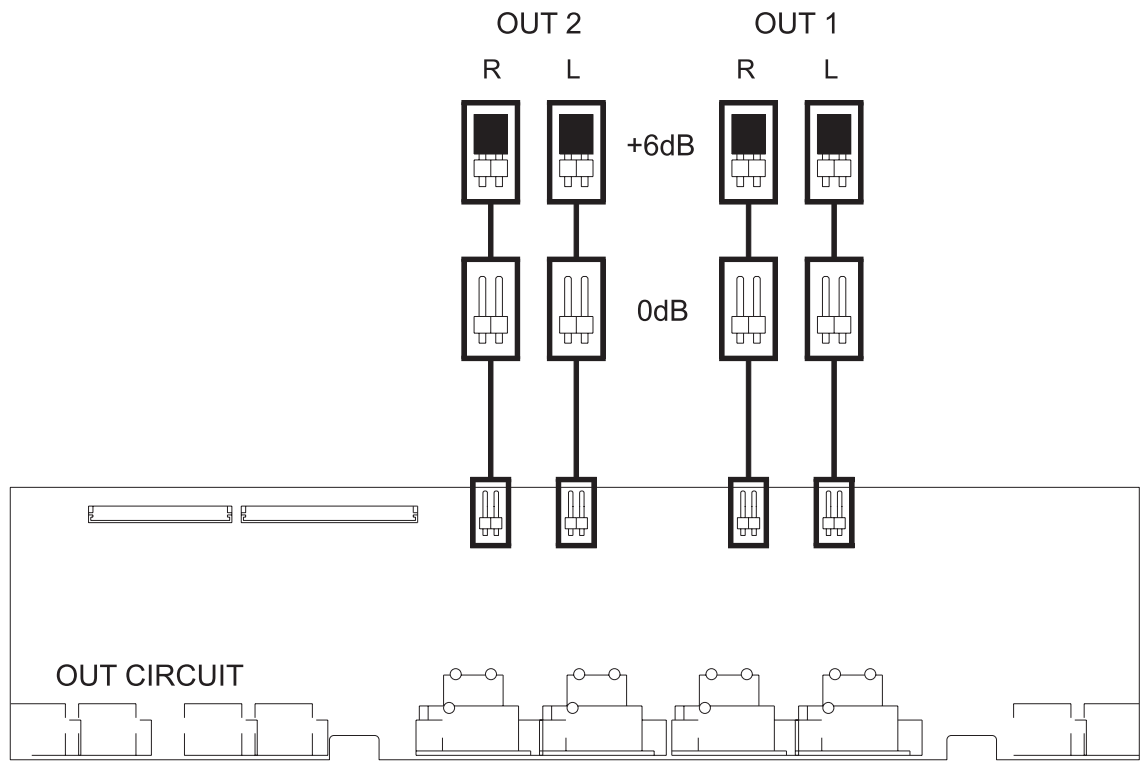
*M10-05*

product:

*AC-6*

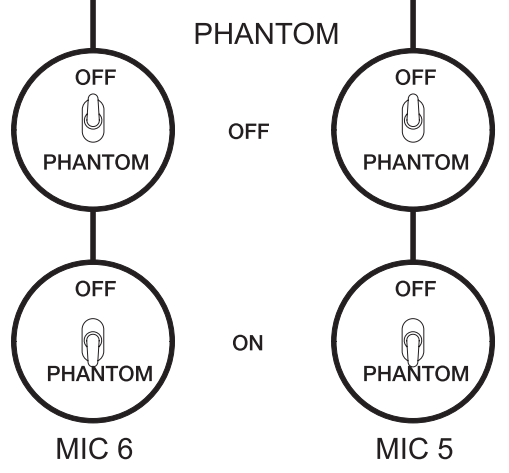
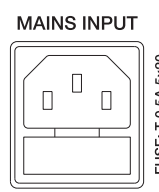
number: *310218* version: *0100*

**WIRING DIAGRAM**



BACK PANEL

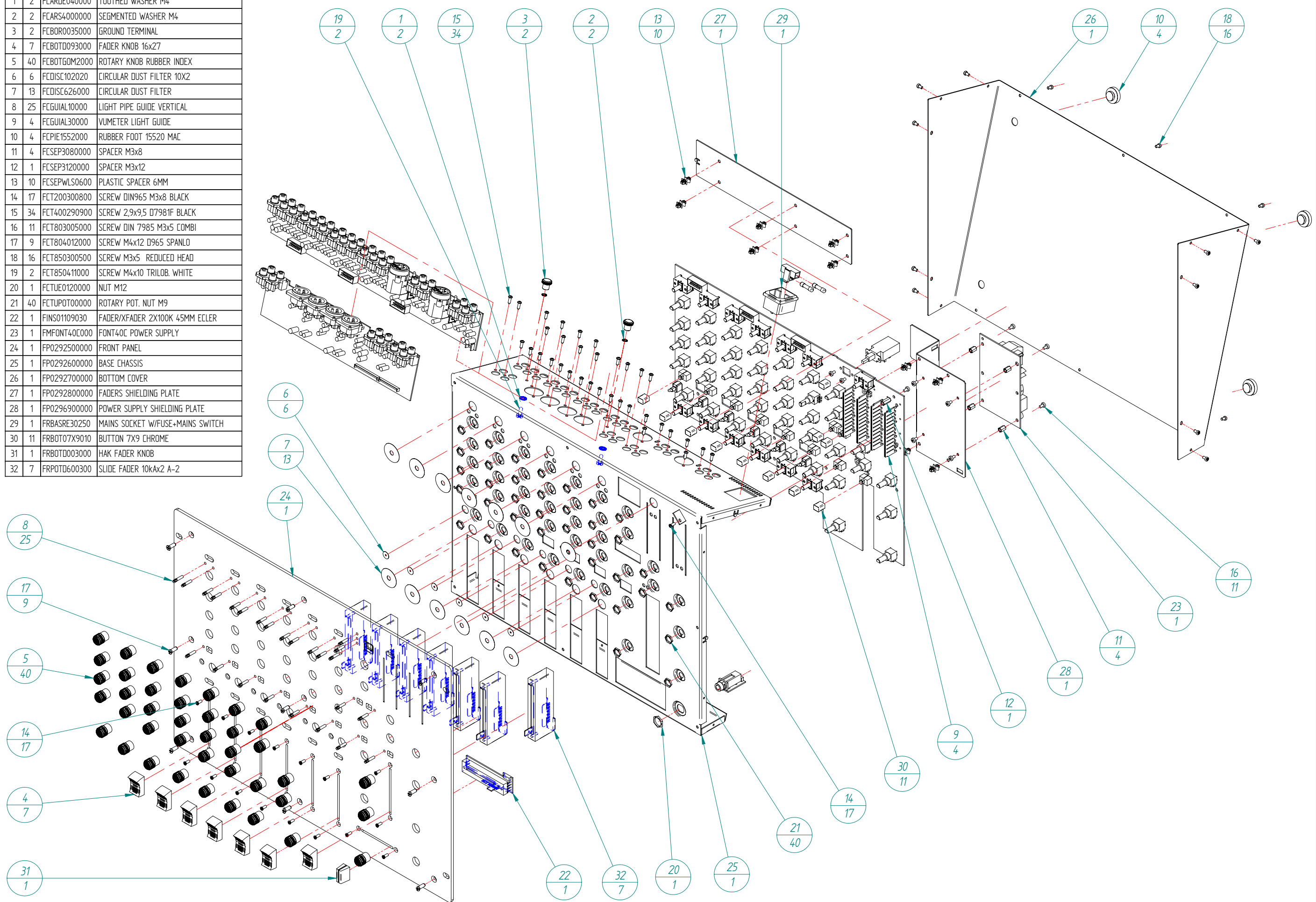
**WARNING:** THIS APPARATUS MUST BE EARTHED.  
TO AVOID RISK OF ELECTRIC SHOCK DO NOT REMOVE COVERS.  
TO PREVENT FIRE OR SHOCK HAZARD, DO NOT EXPOSE  
THIS APPARATUS TO RAIN OR MOISTURE.



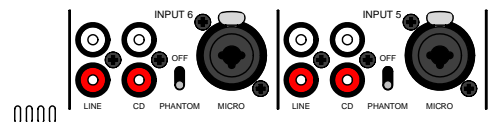
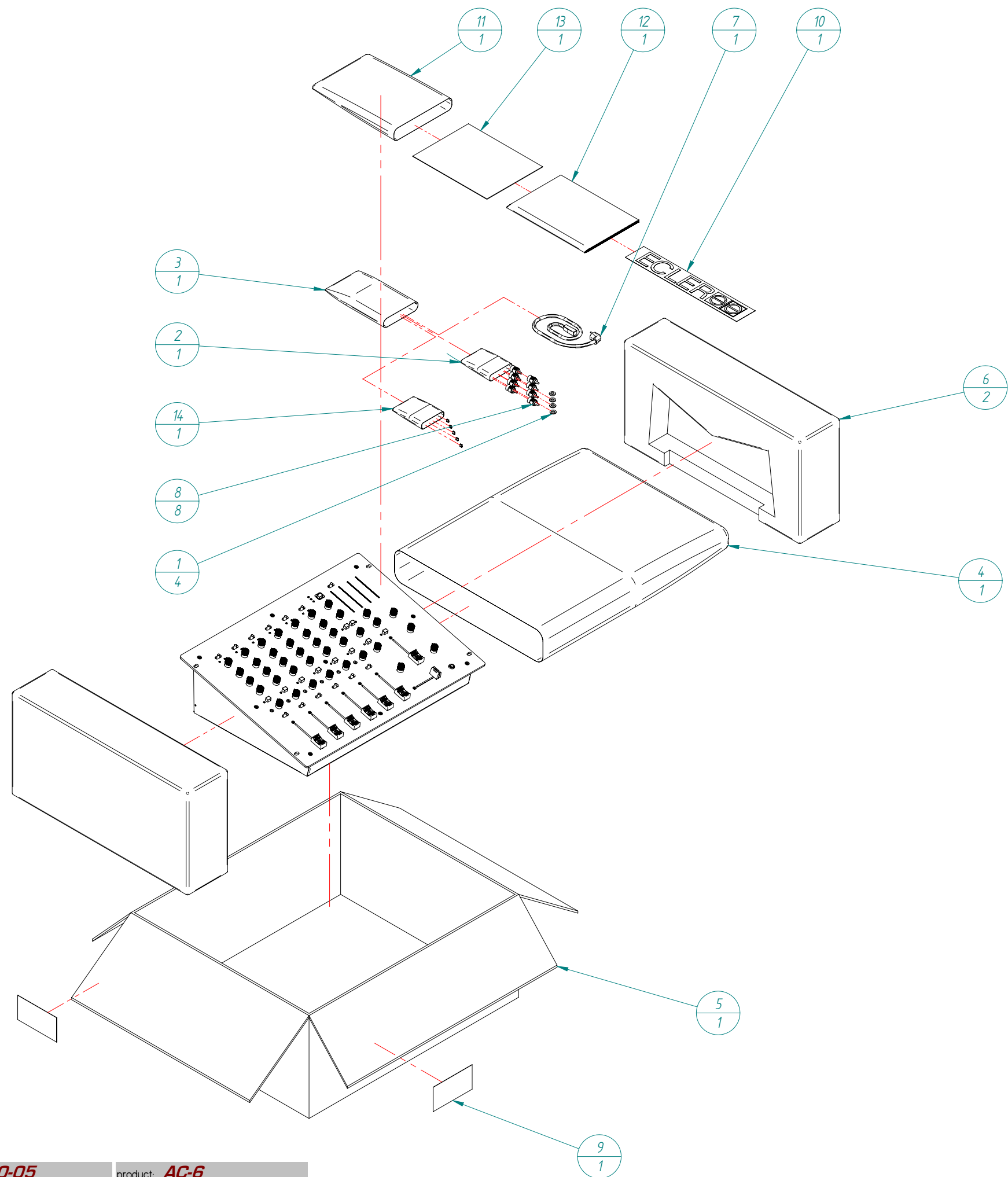
FACTORY ADJUSTED  
OUT 1 0dB  
OUT 2 0dB  
PHANTOM ON

CONFIGURATION TYPE  
OUT 1 JUMPER  
OUT 2 JUMPER  
PHANTOM SWITCHABLE

Nº	Qty.	Code	Description
1	2	FCARDE040000	TOOTHED WASHER M4
2	2	FCARS4000000	SEGMENTED WASHER M4
3	2	FCBOR0035000	GROUND TERMINAL
4	7	FCBOT0093000	FADER KNOB 16x27
5	40	FCBOT60M2000	ROTARY KNOB RUBBER INDEX
6	6	FCDISC102020	CIRCULAR DUST FILTER 10X2
7	13	FCDISC626000	CIRCULAR DUST FILTER
8	25	FCGUAL10000	LIGHT PIPE GUIDE VERTICAL
9	4	FCGUAL30000	VUMETER LIGHT GUIDE
10	4	FCPIE1552000	RUBBER FOOT 15520 MAC
11	4	FCSEP3080000	SPACER M3x8
12	1	FCSEP3120000	SPACER M3x12
13	10	FCSEPWLS0600	PLASTIC SPACER 6MM
14	17	FCT200300800	SCREW DIN965 M3x8 BLACK
15	34	FCT400290900	SCREW 2,9x9,5 D7981F BLACK
16	11	FCT803005000	SCREW DIN 7985 M3x5 COMBI
17	9	FCT804012000	SCREW M4x12 D965 SPANLO
18	16	FCT850300500	SCREW M3x5 REDUCED HEAD
19	2	FCT850411000	SCREW M4x10 TRILOB. WHITE
20	1	FCTUE0120000	NUT M12
21	40	FCTUP0T00000	ROTARY POT. NUT M9
22	1	FINS01109030	FADER/XFADER 2X100K 45MM ECLER
23	1	FMFONT40C000	FONT40C POWER SUPPLY
24	1	FPO292500000	FRONT PANEL
25	1	FPO292600000	BASE CHASSIS
26	1	FPO292700000	BOTTOM COVER
27	1	FPO292800000	FADERS SHIELDING PLATE
28	1	FPO296900000	POWER SUPPLY SHIELDING PLATE
29	1	FRBASRE30250	MAINS SOCKET W/FUSE+MAINS SWITCH
30	11	FRBOT07X9010	BUTTON 7X9 CHROME
31	1	FRBOT0003000	HAK FADER KNOB
32	7	FRPOTD600300	SLIDE FADER 10kAx2 A-2



N°	Qty.	Code	Description
1	4	FCARANY06000	WASHER M6 NYLON BLACK 12x6,4x15
2	1	FCBOL0010000	BAG 60x80
3	1	FCBOL0020000	PLASTIC BAG 120x180
4	1	FCBOLS020000	STANDARD BAG 75x65
5	1	FCCAJSTA0600	PACKING CARDBOARD BOX
6	2	FCCANT103000	INTERIOR REINFORCEMENT
7	1	FCCONX017500	MAINS CABLE 3x1
8	8	FCCTRAX0000	RCA GROUNDING PLUG
9	1	FCETI0951140	PRODUCT LABEL PACK (ONE FOR EACH UNIT)
10	1	FCETIECL1000	ECLER STICKER 300x50
11	1	FCFUNMAN0000	USER MANUAL BAG
12	1	FCMANAC60000	USER MANUAL AC-6
13	1	FCTARJG00000	WARRANTY CARD
14	1	FRBOLMINJ005	BAG WITH SET OF 5 MINIJUMPERS



Phantom switch factory adjust in  
MIC Inputs = Phantom position (ON)