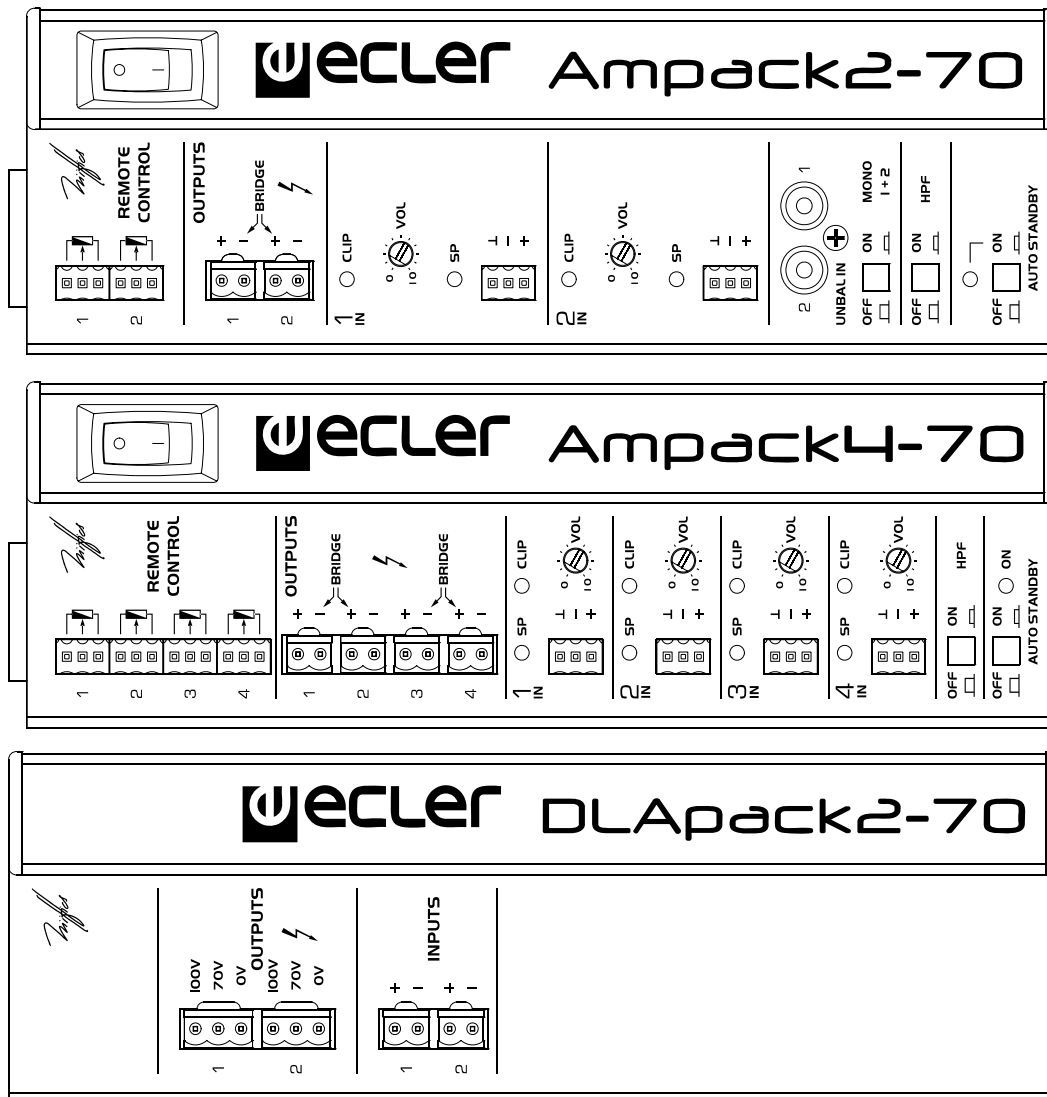


# AMPACK2-70

# AMPACK4-70

# DLAPACK2-70

## SERVICE MANUAL

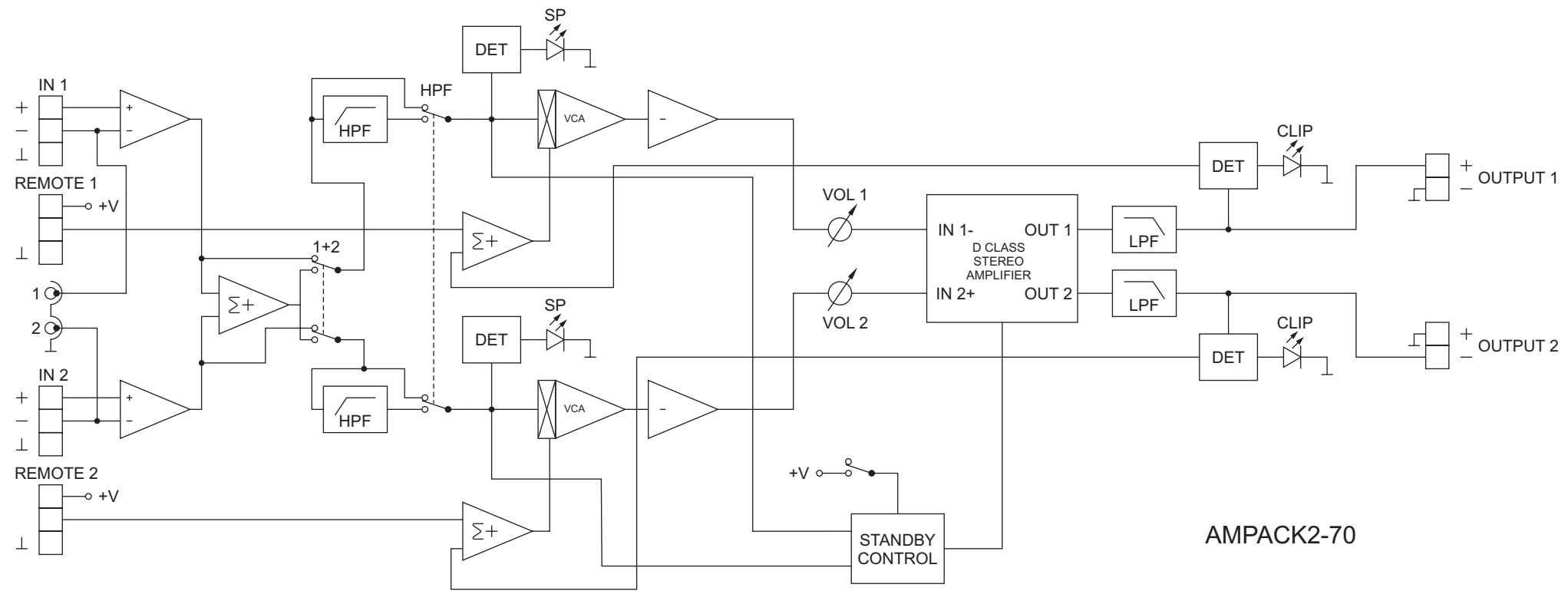


# wecler

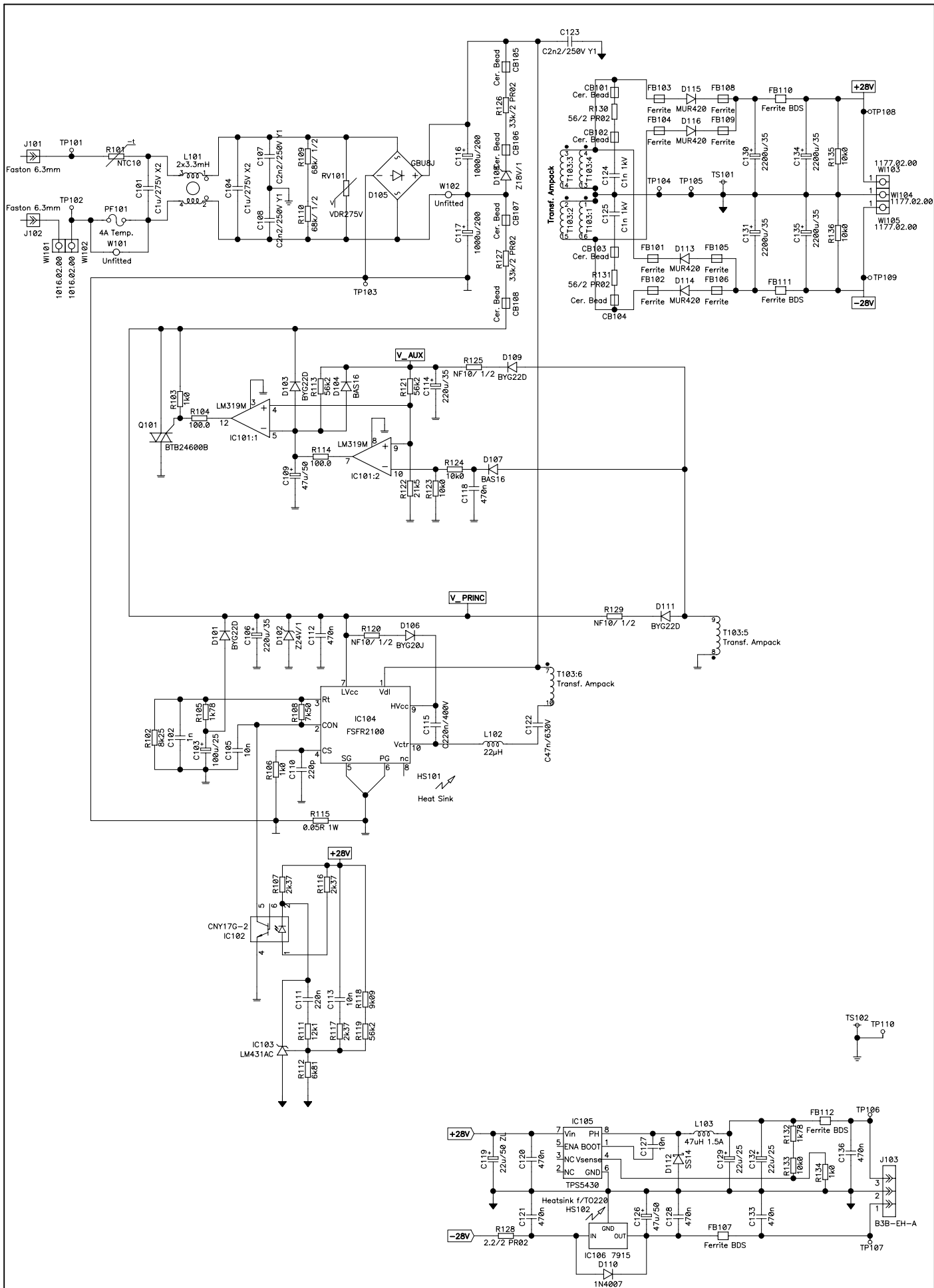
SERVICE MANUAL  
AMPACK2-70  
AMPACK4-70  
DLAPACK2-70

INDEX


- BLOCK DIAGRAM
- SCHEMATICS
- COMPONENTS LOCATION SCHEMA
- TECHNICAL CHARACTERISTICS
- WIRING DIAGRAM
- MECHANICAL DIAGRAM
- PACKING DIAGRAM

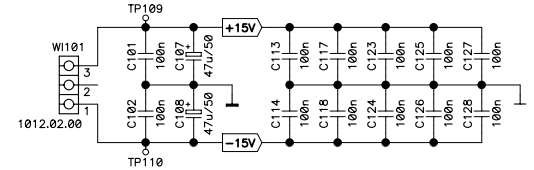
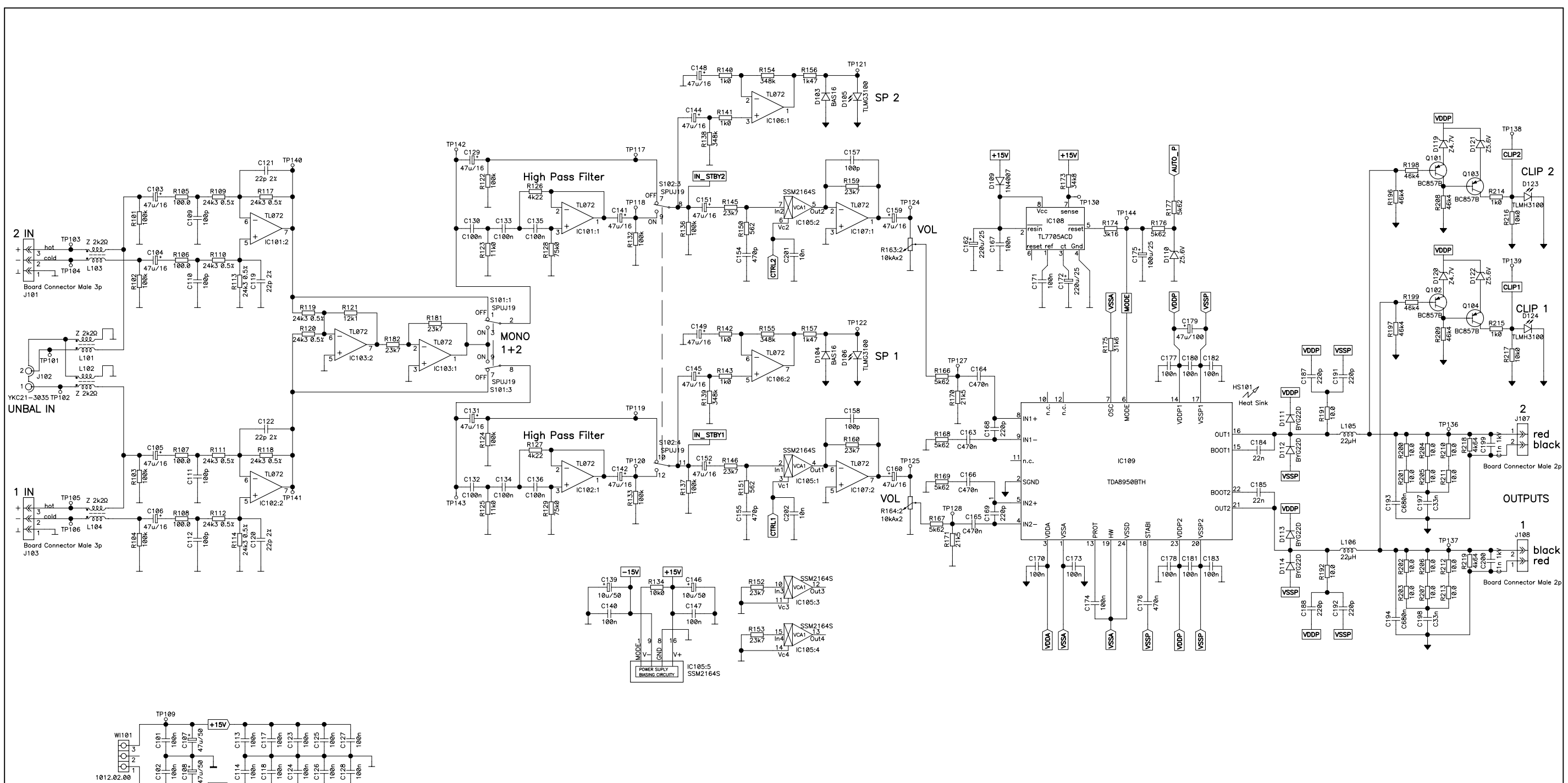


AMPACK2-70

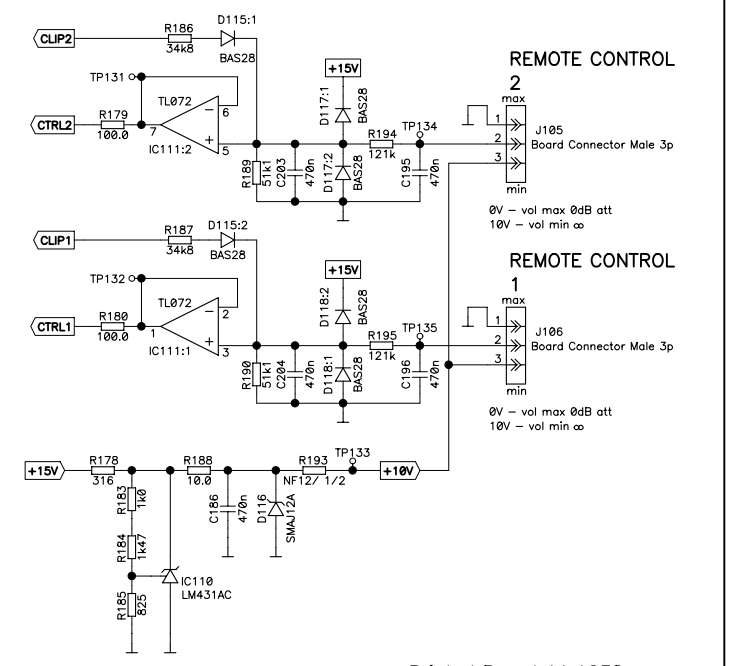
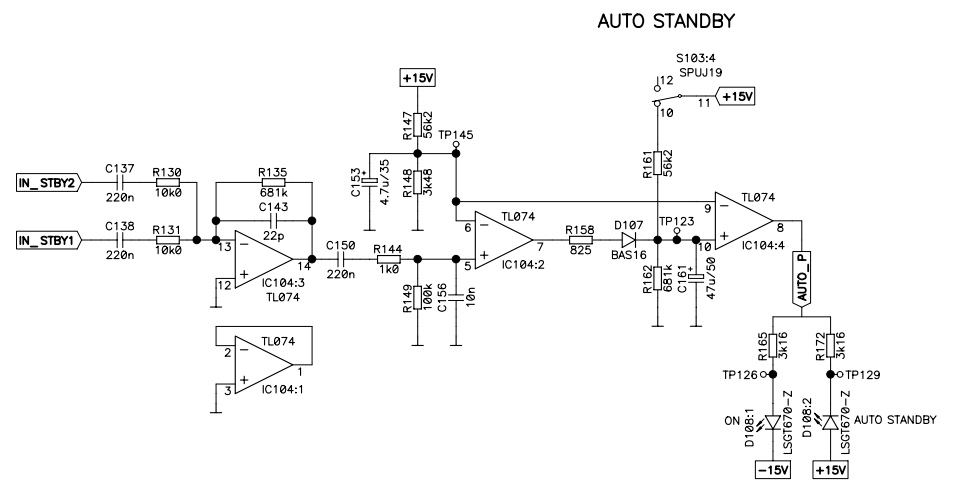
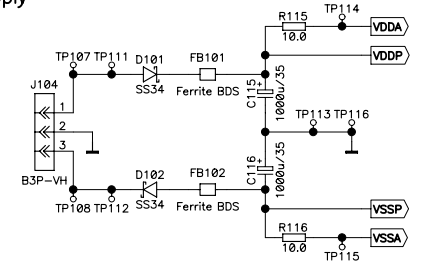


Printed Board 11.1231

 LABORATORIO DE ELECTRO-ACUSTICA S.A.	drawn by: M. Amoros	date: 090528	approved: J.M. Mas
	project n: EP34/35-08	title:	
number: 10.0881	product n: AMPACK2/4-70	Base Sch.	
version: 01.03	page: 1 of 1		

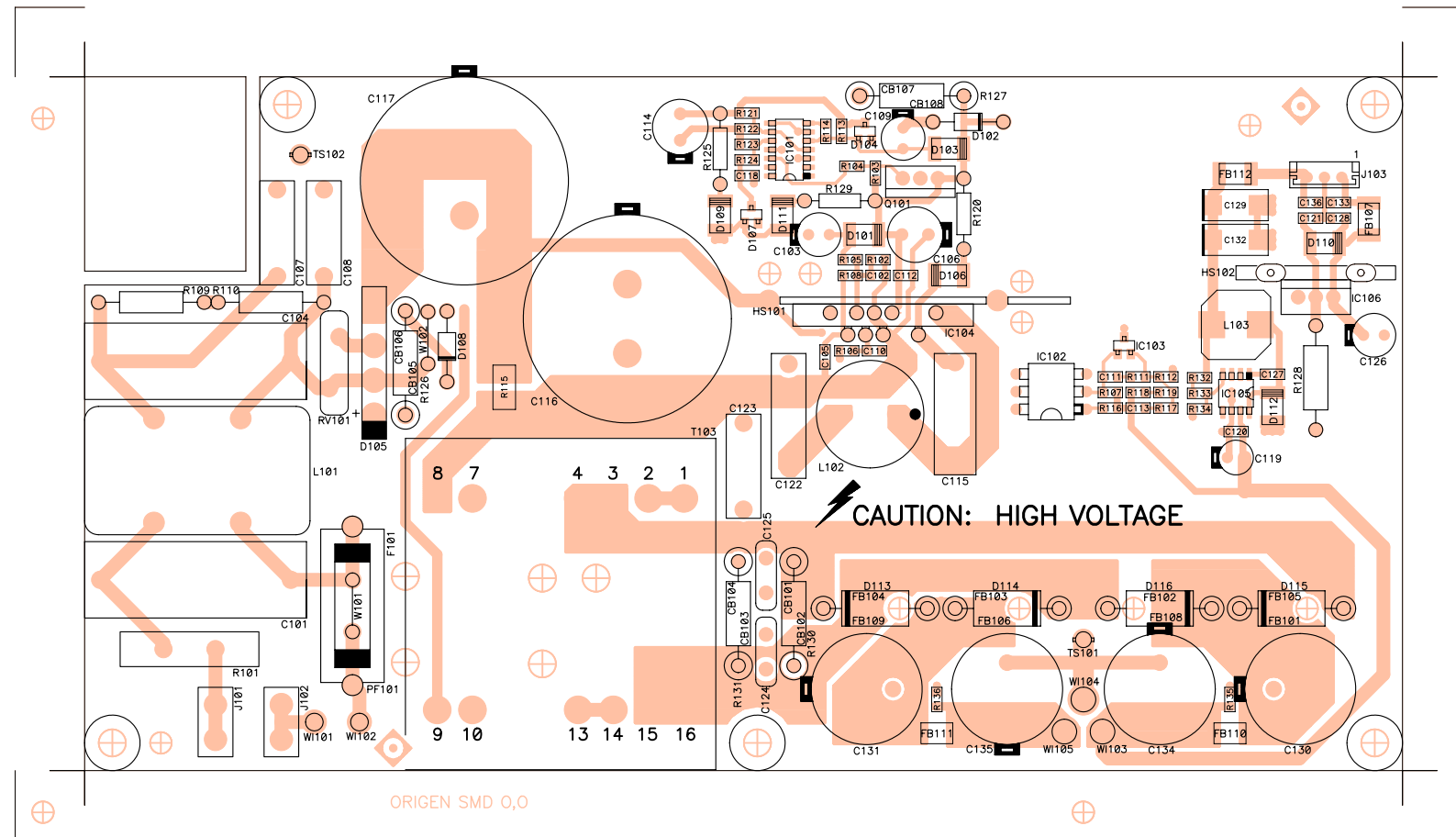



from Power Supply

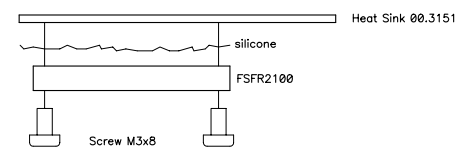
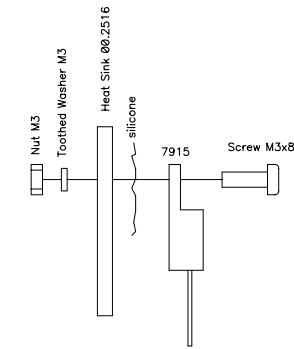
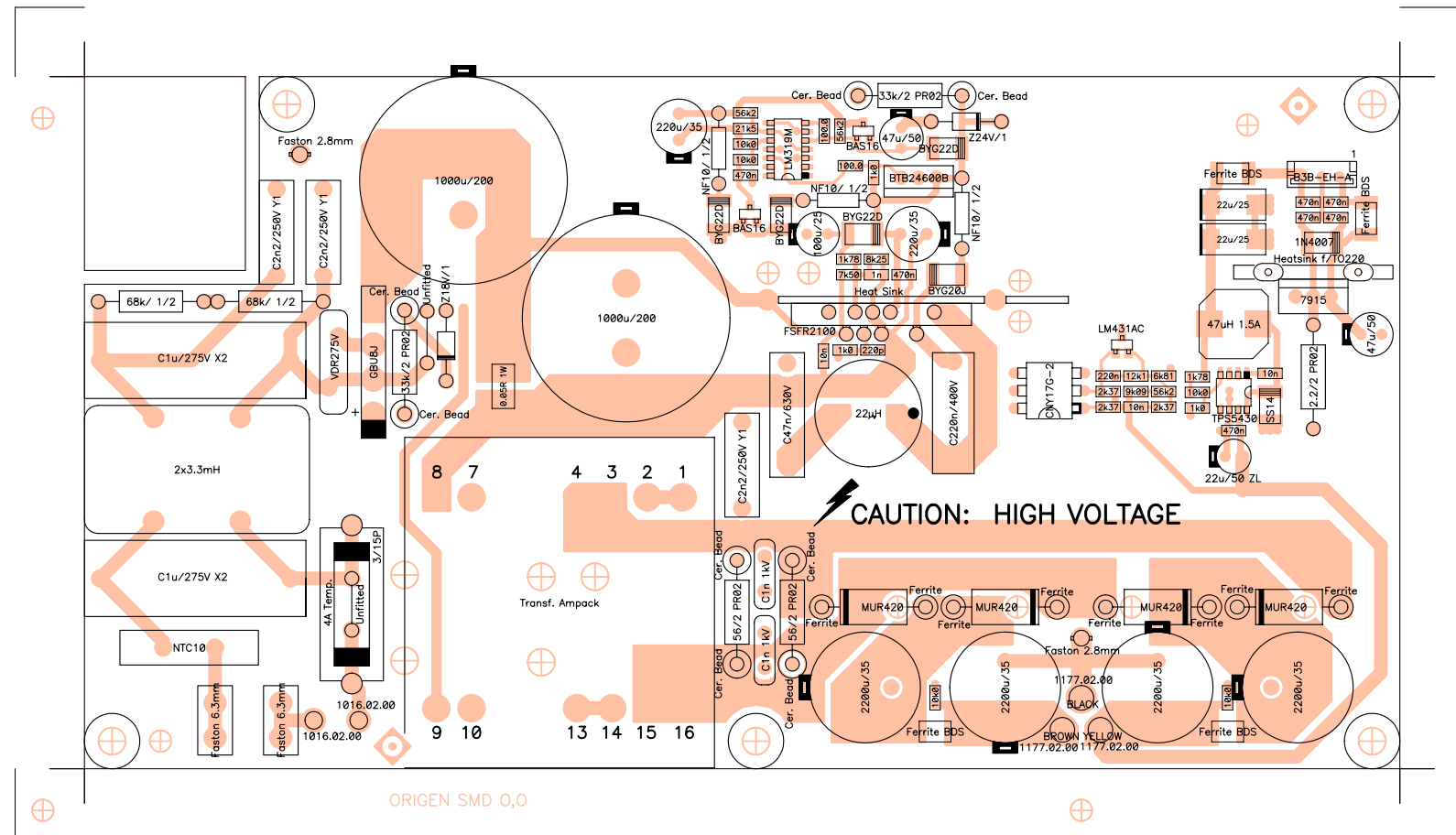



 LABORATÓRIO DE ELECTRO-ACUSTICA S.A.	drawn by: M.Amoros	date: 09/07/23	approved: J.M.Mas
	project n: EP34-08	title: Main schema	
number: 10.0884	product n: AMPACK 2-70	page: 1 of 1	

Printed Board 11.1238



 LABORATORIO DE ELECTRO-ACUSTICA S.A.	related to: circuit no: 11.1231-05.00 schema no: 10.0881-01.03 insertion file no: 81.0161-01.00	side: Component view: Reference
	project n: EP34/35-08 product n: AMPACK2/4-70	title: <h2 style="text-align: center;">Base Ct.</h2>
number: 33.1167 drawn by: M. Amoros	version: 01.04 date: 090723	approved: J.M.Mas



 LABORATORIO DE ELECTRO-ACUSTICA S.A.	related to:	circuit no: 11.1231-05.00 schema no: 10.0881-01.03 insertion file no: 81.0161-01.00	side: Component
	project n: EP34/35-08	title:	view: Value
number: 33.1168	version: 01.04	product n: AMPACK2/4-70	<b>Base Ct.</b>
drawn by: M. Amoros	date: 090723	approved: J.M.Mas	

**PARTS LIST: PRINTED CIRCUIT 11.1231.05.00**

Code	Description	Reference
FCCDH7010100	C1u/275V X2	C101
FCXCD4001000	1n	C102
FCCE15100000	100u/25	C103
FCCDH7010100	C1u/275V X2	C104
FCXCD4010000	10n	C105
FCCE15220000	220u/35	C106
FCCCD2225000	C2n2/250V Y1	C107
FCCCD2225000	C2n2/250V Y1	C108
FCCE25047000	47u/50	C109
FCXCD2220000	220p	C110
FCXCD4220000	220n	C111
FCXCD4470000	470n	C112
FCXCD4010000	10n	C113
FCCE15220000	220u/35	C114
FCCDK6220000	C220n/400V	C115
FCCE36010000	1000u/200	C116
FCCE36010000	1000u/200	C117
FCXCD4470000	470n	C118
FCCE25022000	22u/50 ZL	C119
FCXCD4470000	470n	C120
FCXCD4470000	470n	C121
FCCDL4470000	C47n/630V	C122
FCCCD2225000	C2n2/250V Y1	C123
FCCCD5100100	C1n 1kV	C124
FCCCD5100100	C1n 1kV	C125
FCCE25047000	47u/50	C126
FCXCD4010000	10n	C127
FCXCD4470000	470n	C128
FCCEX1502225	22u/25	C129
FCCE21220000	2200u/35	C130
FCCE21220000	2200u/35	C131
FCCEX1502225	22u/25	C132
FCXCD4470000	470n	C133
FCCE21220000	2200u/35	C134
FCCE21220000	2200u/35	C135
FCXCD4470000	470n	C136
FCPERL255000	Cer. Bead	CB101
FCPERL255000	Cer. Bead	CB102
FCPERL255000	Cer. Bead	CB103
FCPERL255000	Cer. Bead	CB104
FCPERL255000	Cer. Bead	CB105
FCPERL255000	Cer. Bead	CB106
FCPERL255000	Cer. Bead	CB107
FCPERL255000	Cer. Bead	CB108
FCCI01231000	Printed Board 11.1231	CI101
FCXREC021000	BYG22D	D101
FCDD10240000	Z24V/1	D102
FCXREC021000	BYG22D	D103
FCXDDBAS1600	BAS16	D104
FCRECGBU8J00	GBU8J	D105
FCXREC020000	BYG20J	D106
FCXDDBAS1600	BAS16	D107
FCDD10180000	Z18V/1	D108
FCXREC021000	BYG22D	D109
FCXDD4007000	1N4007	D110

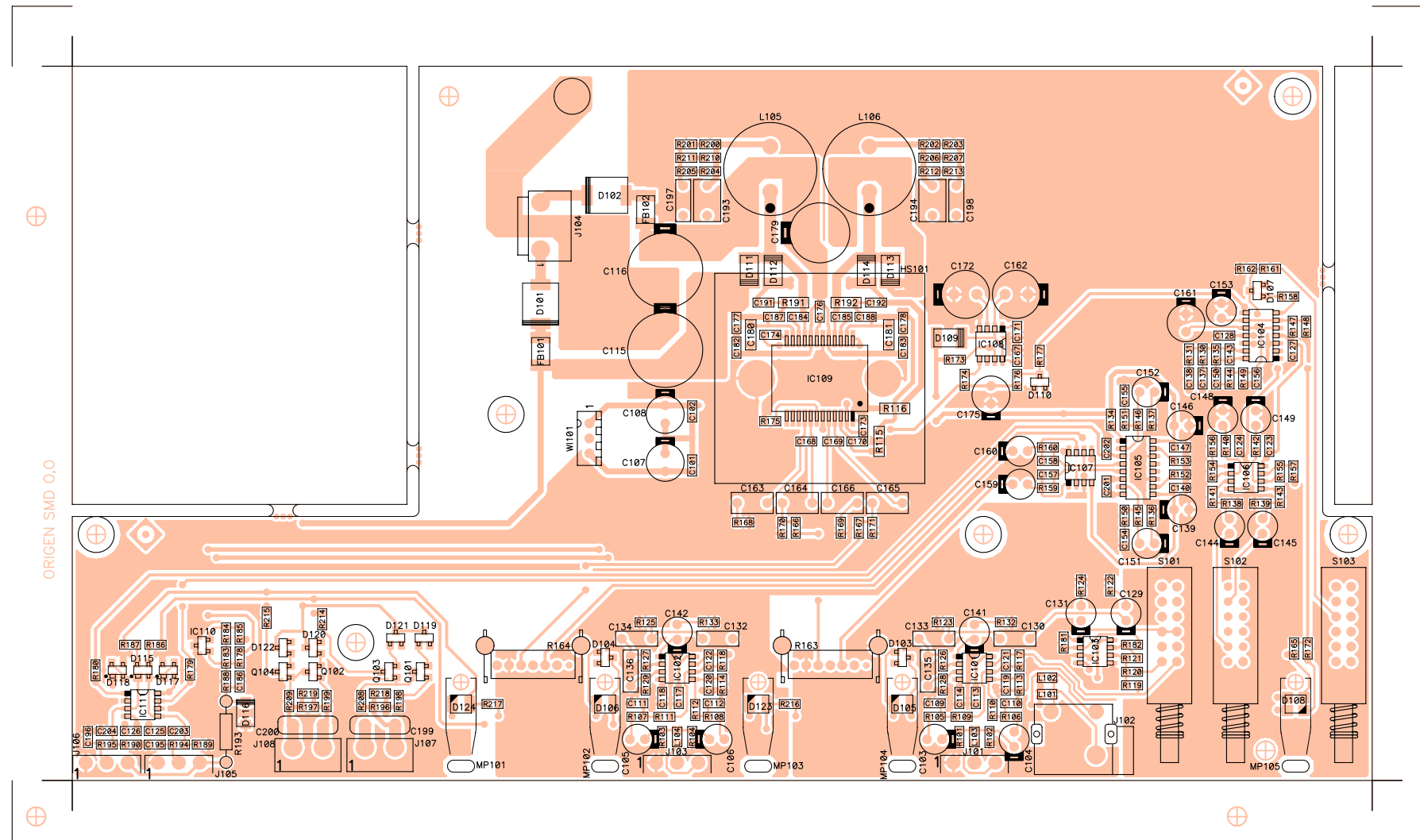


**PARTS LIST: PRINTED CIRCUIT 11.1231.05.00**

Code	Description	Reference
FCXREC021000	BYG22D	D111
FCXDDSB14000	SS14	D112
FCDDMUR42000	MUR420	D113
FCDDMUR42000	MUR420	D114
FCDDMUR42000	MUR420	D115
FCDDMUR42000	MUR420	D116
FCFUS5020000	4A Temp.	F101
FCFER4322000	Ferrite	FB101
FCFER4322000	Ferrite	FB102
FCFER4322000	Ferrite	FB103
FCFER4322000	Ferrite	FB104
FCFER4322000	Ferrite	FB105
FCFER4322000	Ferrite	FB106
FCFER0050000	Ferrite BDS	FB107
FCFER4322000	Ferrite	FB108
FCFER4322000	Ferrite	FB109
FCFER0050000	Ferrite BDS	FB110
FCFER0050000	Ferrite BDS	FB111
FCFER0050000	Ferrite BDS	FB112
FP0315100000	Heat Sink	HS101
FP0251600000	Heatsink f/TO220	HS102
FCIC31900000	LM319M	IC101
FCIC43510000	CNY17G-2	IC102
FCIC43101000	LM431AC	IC103
FCIC21000000	FSFR2100	IC104
FCIC05430010	TPS5430	IC105
FCREG7915000	7915	IC106
FCTERMF63000	Faston 6.3mm	J101
FCTERMF63000	Faston 6.3mm	J102
FCCTM0003000	B3B-EH-A	J103
FCBB2X330000	2x3.3mH	L101
FCIND0002200	22æH	L102
FCCHKX347000	47uH 1.5A	L103
FCTUE0030000	Nut M3	NV101
FCPORF315000	3/15P	PF101
FCTI24600000	BTB24600B	Q101
FCNTC0030000	NTC10	R101
FCXR53825000	8k25	R102
FCXR53100000	1k0	R103
FCXR52100000	100.0	R104
FCXR53178000	1k78	R105
FCXR53100000	1k0	R106
FCXR53237000	2k37	R107
FCXR53750000	7k50	R108
FCRC25680000	68k/ 1/2	R109
FCRC25680000	68k/ 1/2	R110
FCXR54121000	12k1	R111
FCXR53681000	6k81	R112
FCXR54562000	56k2	R113
FCXR52100000	100.0	R114
FCXRG0005000	0.05R 1W	R115
FCXR53237000	2k37	R116
FCXR53237000	2k37	R117
FCXR53909000	9k09	R118
FCXR54562000	56k2	R119

**PARTS LIST: PRINTED CIRCUIT 11.1231.05.00**

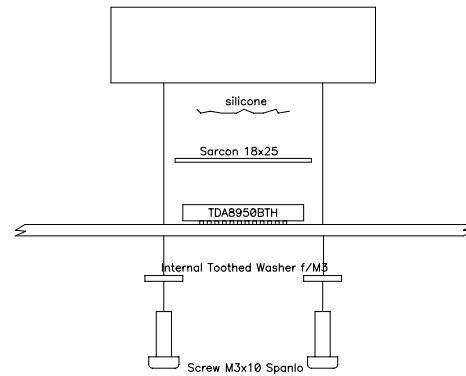
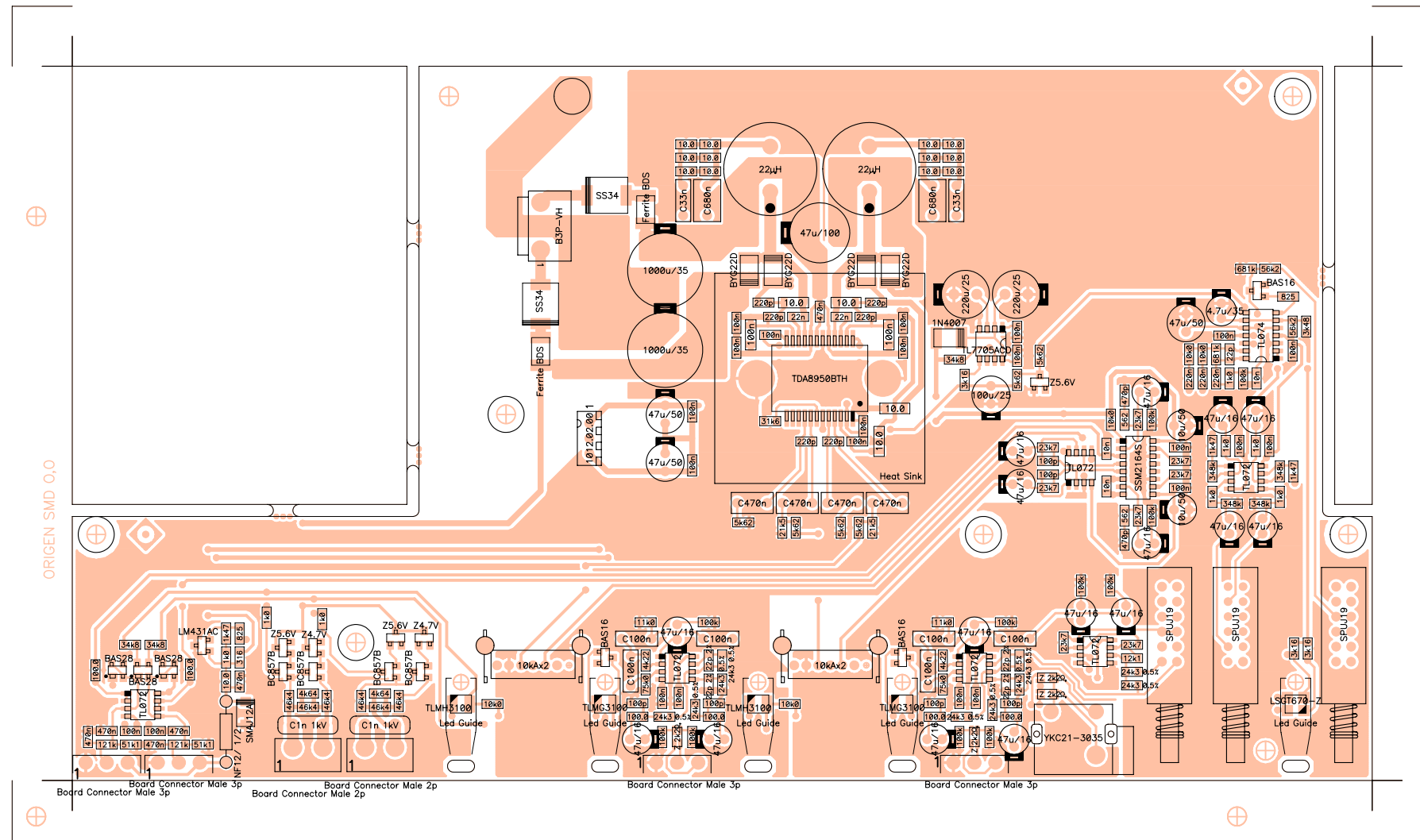
Code	Description	Reference
FCRF22100000	NF10/ 1/2	R120
FCXR54562000	56k2	R121
FCXR54215000	21k5	R122
FCXR54100000	10k0	R123
FCXR54100000	10k0	R124
FCRF22100000	NF10/ 1/2	R125
FGRP55330000	33k/2 PR02	R126
FGRP55330000	33k/2 PR02	R127
FGRP51220000	2.2/2 PR02	R128
FCRF22100000	NF10/ 1/2	R129
FGRP52560000	56/2 PR02	R130
FGRP52560000	56/2 PR02	R131
FCXR53178000	1k78	R132
FCXR54100000	10k0	R133
FCXR53100000	1k0	R134
FCXR54100000	10k0	R135
FCXR54100000	10k0	R136
FCVDR0275000	VDR275V	RV101
FCT750300800	Screw M3x8	SC101
FCT750300800	Screw M3x8	SC102
FCT750300800	Screw M3x8	SC103
FCTFC0155000	Transf. Ampack	T103
FCTERMF28000	Faston 2.8mm	TS101
FCTERMF28000	Faston 2.8mm	TS102
FCARDE030000	Toothed Washer f/M3	WA101
FC2F01620000	1016.02.00	WI101
FC2F01620000	1016.02.00	WI102
FCOD17720000	1177.02.00	WI104




number: 33.1149  
 drawn by: M. Amoros

related to: circuit no: 11.1238-03.00  
 schema no: 10.0884-01.02  
 insertion file no: 81.0160-01.00  
 project n: EP34-08  
 product n: Ampack2-70  
 date: 090723  
 approved: J.M.Mas

side: Component  
 view: Reference  
 title: Main Ct.



Note: Tighten the screws alternatively up to 1Nm

 LABORATORIO DE ELECTRO-ACUSTICA S.A.	related to:	circuit no: 11.1238-03.00 schema no: 10.0884-01.02 insertion file no: 81.0160-01.00	side: Component
	project n:	EP34-08	view: Value
number: 33.1150	version: 01.02	product n: Ampack2-70	Main Ct.
drawn by: M. Amoros	date: 090723	approved: J.M.Mas	

**PARTS LIST: PRINTED CIRCUIT 11.1238.03.00**

Code	Description	Reference
FCXCD4100000	100n	C101
FCXCD4100000	100n	C102
FCCE10000000	47u/16	C103
FCCE10000000	47u/16	C104
FCCE10000000	47u/16	C105
FCCE10000000	47u/16	C106
FCCE25047000	47u/50	C107
FCCE25047000	47u/50	C108
FCXCD2100000	100p	C109
FCXCD2100000	100p	C110
FCXCD2100000	100p	C111
FCXCD2100000	100p	C112
FCXCD4100000	100n	C113
FCXCD4100000	100n	C114
FCCE21100000	1000u/35	C115
FCCE21100000	1000u/35	C116
FCXCD4100000	100n	C117
FCXCD4100000	100n	C118
FCXCD1220100	22p 2%	C119
FCXCD1220100	22p 2%	C120
FCXCD1220100	22p 2%	C121
FCXCD1220100	22p 2%	C122
FCXCD4100000	100n	C123
FCXCD4100000	100n	C124
FCXCD4100000	100n	C125
FCXCD4100000	100n	C126
FCXCD4100000	100n	C127
FCXCD4100000	100n	C128
FCCE10000000	47u/16	C129
FCCDK1100000	C100n	C130
FCCE10000000	47u/16	C131
FCCDK1100000	C100n	C132
FCCDK1100000	C100n	C133
FCCDK1100000	C100n	C134
FCCDK1100000	C100n	C135
FCCDK1100000	C100n	C136
FCXCD4220000	220n	C137
FCXCD4220000	220n	C138
FCCE25010000	10u/50	C139
FCXCD4100000	100n	C140
FCCE10000000	47u/16	C141
FCCE10000000	47u/16	C142
FCXCD1220000	22p	C143
FCCE10000000	47u/16	C144
FCCE10000000	47u/16	C145
FCCE25010000	10u/50	C146
FCXCD4100000	100n	C147
FCCE10000000	47u/16	C148
FCCE10000000	47u/16	C149
FCXCD4220000	220n	C150
FCCE10000000	47u/16	C151
FCCE10000000	47u/16	C152
FCCE20004700	4.7u/35	C153
FCXCD2470000	470p	C154
FCXCD2470000	470p	C155

**PARTS LIST: PRINTED CIRCUIT 11.1238.03.00**

Code	Description	Reference
FCXCD4010000	10n	C156
FCXCD2100000	100p	C157
FCXCD2100000	100p	C158
FCCE10000000	47u/16	C159
FCCE10000000	47u/16	C160
FCCE25047000	47u/50	C161
FCCE15220000	220u/25	C162
FCCDK1470000	C470n	C163
FCCDK1470000	C470n	C164
FCCDK1470000	C470n	C165
FCCDK1470000	C470n	C166
FCXCD4100000	100n	C167
FCXCD2220000	220p	C168
FCXCD2220000	220p	C169
FCXCD4100000	100n	C170
FCXCD4100000	100n	C171
FCCE15220000	220u/25	C172
FCXCD4100000	100n	C173
FCXCD4100000	100n	C174
FCCE15100000	100u/25	C175
FCXCD4470000	470n	C176
FCXCD4100000	100n	C177
FCXCD4100000	100n	C178
FCCE35047000	47u/100	C179
FCXCN4100000	100n	C180
FCXCN4100000	100n	C181
FCXCD4100000	100n	C182
FCXCD4100000	100n	C183
FCXCD4022000	22n	C184
FCXCD4022000	22n	C185
FCXCD4470000	470n	C186
FCXCD2220000	220p	C187
FCXCD2220000	220p	C188
FCXCD2220000	220p	C191
FCXCD2220000	220p	C192
FCCDK1680000	C680n	C193
FCCDK1680000	C680n	C194
FCXCD4470000	470n	C195
FCXCD4470000	470n	C196
FCCDK1033000	C33n	C197
FCCDK1033000	C33n	C198
FCCCD5100100	C1n 1kV	C199
FCCCD5100100	C1n 1kV	C200
FCXCD4010000	10n	C201
FCXCD4010000	10n	C202
FCXCD4470000	470n	C203
FCXCD4470000	470n	C204
FCCI01238000	Printed Board 11.1238	C1101
FCXDDSB34000	SS34	D101
FCXDDSB34000	SS34	D102
FCXDDBAS1600	BAS16	D103
FCXDDBAS1600	BAS16	D104
FCLEDSMD3000	TLMG3100	D105
FCLEDSMD3000	TLMG3100	D106
FCXDDBAS1600	BAS16	D107

**PARTS LIST: PRINTED CIRCUIT 11.1238.03.00**

Code	Description	Reference
FCLEDSMD1000	LSGT670-Z	D108
FCXDD4007000	1N4007	D109
FCXZ00005600	Z5.6V	D110
FCXREC021000	BYG22D	D111
FCXREC021000	BYG22D	D112
FCXREC021000	BYG22D	D113
FCXREC021000	BYG22D	D114
FCXDDBAS2800	BAS28	D115
FCDDKE120000	SMAJ12A	D116
FCXDDBAS2800	BAS28	D117
FCXDDBAS2800	BAS28	D118
FCXZ00004700	Z4.7V	D119
FCXZ00004700	Z4.7V	D120
FCXZ00005600	Z5.6V	D121
FCXZ00005600	Z5.6V	D122
FCLEDSMD2000	TLMH3100	D123
FCLEDSMD2000	TLMH3100	D124
FCFER0050000	Ferrite BDS	FB101
FCFER0050000	Ferrite BDS	FB102
FCRAD8920000	Heat Sink	HS101
FCIC07201000	TL072	IC101
FCIC07201000	TL072	IC102
FCIC07201000	TL072	IC103
FCIC07401000	TL074	IC104
FCIC21641000	SSM2164S	IC105
FCIC07201000	TL072	IC106
FCIC07201000	TL072	IC107
FCIC77050000	TL7705ACD	IC108
FCIC89500000	TDA8950BTH	IC109
FCIC43101000	LM431AC	IC110
FCIC07201000	TL072	IC111
FCTIRKON0050	Sarcon 18x25mm	IN101
FCREG3007000	Board Connector Male 3p	J101
FCBASR060000	YKC21-3035	J102
FCREG3007000	Board Connector Male 3p	J103
FCCTJ1003000	B3P-VH	J104
FCREG3007000	Board Connector Male 3p	J105
FCREG3007000	Board Connector Male 3p	J106
FCREG1016000	Board Connector Male 2p	J107
FCREG1016000	Board Connector Male 2p	J108
FCCHKX220000	Z 2k2ê	L101
FCCHKX220000	Z 2k2ê	L102
FCCHKX220000	Z 2k2ê	L103
FCCHKX220000	Z 2k2ê	L104
FCIND0002200	22æH	L105
FCIND0002200	22æH	L106
FCGUAL15000	Led Guide	MP101
FCGUAL15000	Led Guide	MP102
FCGUAL15000	Led Guide	MP103
FCGUAL15000	Led Guide	MP104
FCGUAL15000	Led Guide	MP105
FCXTT0857000	BC857B	Q101
FCXTT0857000	BC857B	Q102
FCXTT0857000	BC857B	Q103
FCXTT0857000	BC857B	Q104

**PARTS LIST: PRINTED CIRCUIT 11.1238.03.00**

Code	Description	Reference
FCXR55100000	100k	R101
FCXR55100000	100k	R102
FCXR55100000	100k	R103
FCXR55100000	100k	R104
FCXR52100000	100.0	R105
FCXR52100000	100.0	R106
FCXR52100000	100.0	R107
FCXR52100000	100.0	R108
FCXR64243000	24k3 0.5%	R109
FCXR64243000	24k3 0.5%	R110
FCXR64243000	24k3 0.5%	R111
FCXR64243000	24k3 0.5%	R112
FCXR64243000	24k3 0.5%	R113
FCXR64243000	24k3 0.5%	R114
FCXR11100000	10.0	R115
FCXR11100000	10.0	R116
FCXR64243000	24k3 0.5%	R117
FCXR64243000	24k3 0.5%	R118
FCXR64243000	24k3 0.5%	R119
FCXR64243000	24k3 0.5%	R120
FCXR54121000	12k1	R121
FCXR55100000	100k	R122
FCXR54110000	11k0	R123
FCXR55100000	100k	R124
FCXR54110000	11k0	R125
FCXR53422000	4k22	R126
FCXR53422000	4k22	R127
FCXR54750000	75k0	R128
FCXR54750000	75k0	R129
FCXR54100000	10k0	R130
FCXR54100000	10k0	R131
FCXR55100000	100k	R132
FCXR55100000	100k	R133
FCXR54100000	10k0	R134
FCXR55681000	681k	R135
FCXR55100000	100k	R136
FCXR55100000	100k	R137
FCXR55348000	348k	R138
FCXR55348000	348k	R139
FCXR53100000	1k0	R140
FCXR53100000	1k0	R141
FCXR53100000	1k0	R142
FCXR53100000	1k0	R143
FCXR53100000	1k0	R144
FCXR54237000	23k7	R145
FCXR54237000	23k7	R146
FCXR54562000	56k2	R147
FCXR53348000	3k48	R148
FCXR55100000	100k	R149
FCXR52562000	562	R150
FCXR52562000	562	R151
FCXR54237000	23k7	R152
FCXR54237000	23k7	R153
FCXR55348000	348k	R154
FCXR55348000	348k	R155



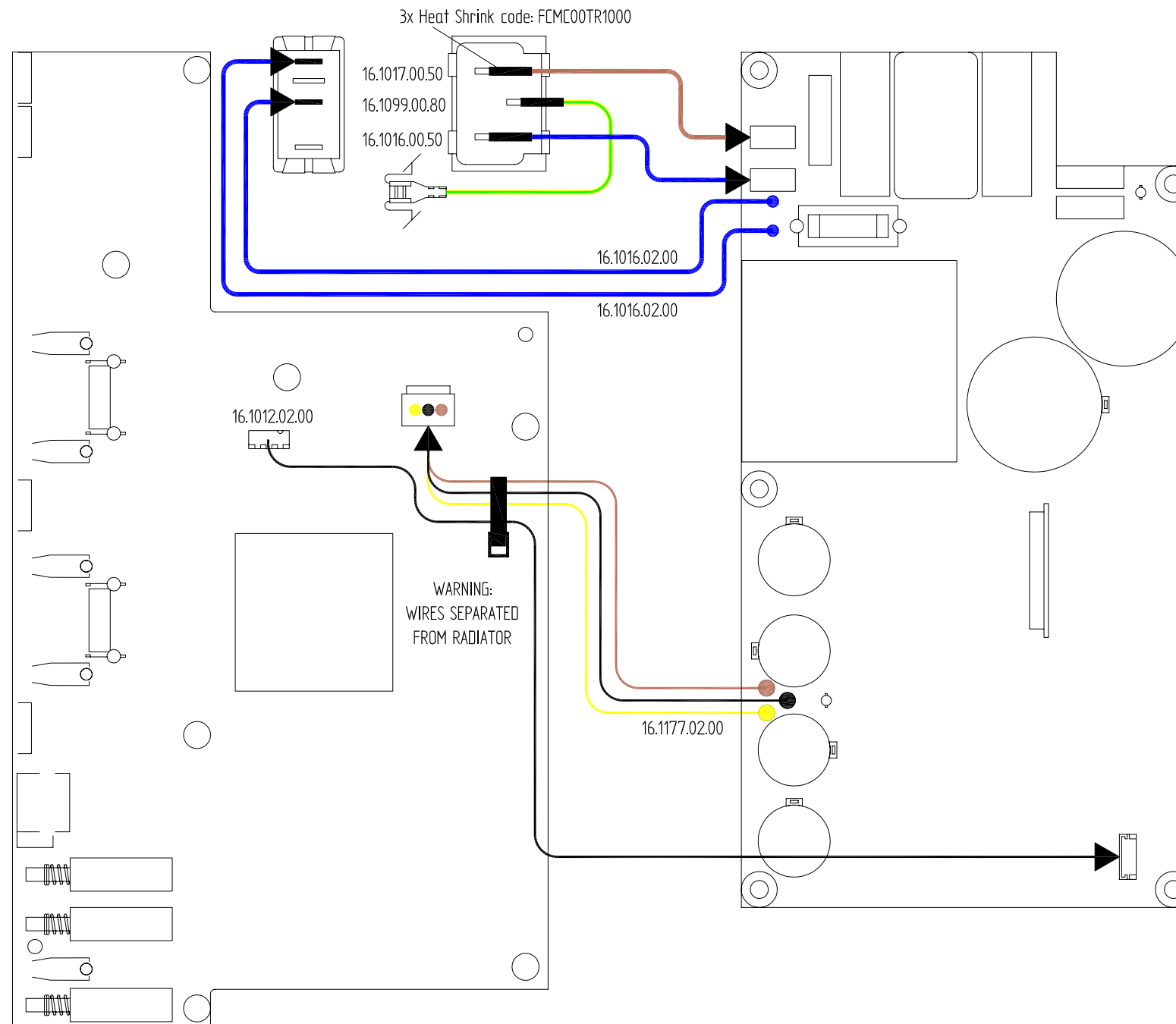
**PARTS LIST: PRINTED CIRCUIT 11.1238.03.00**

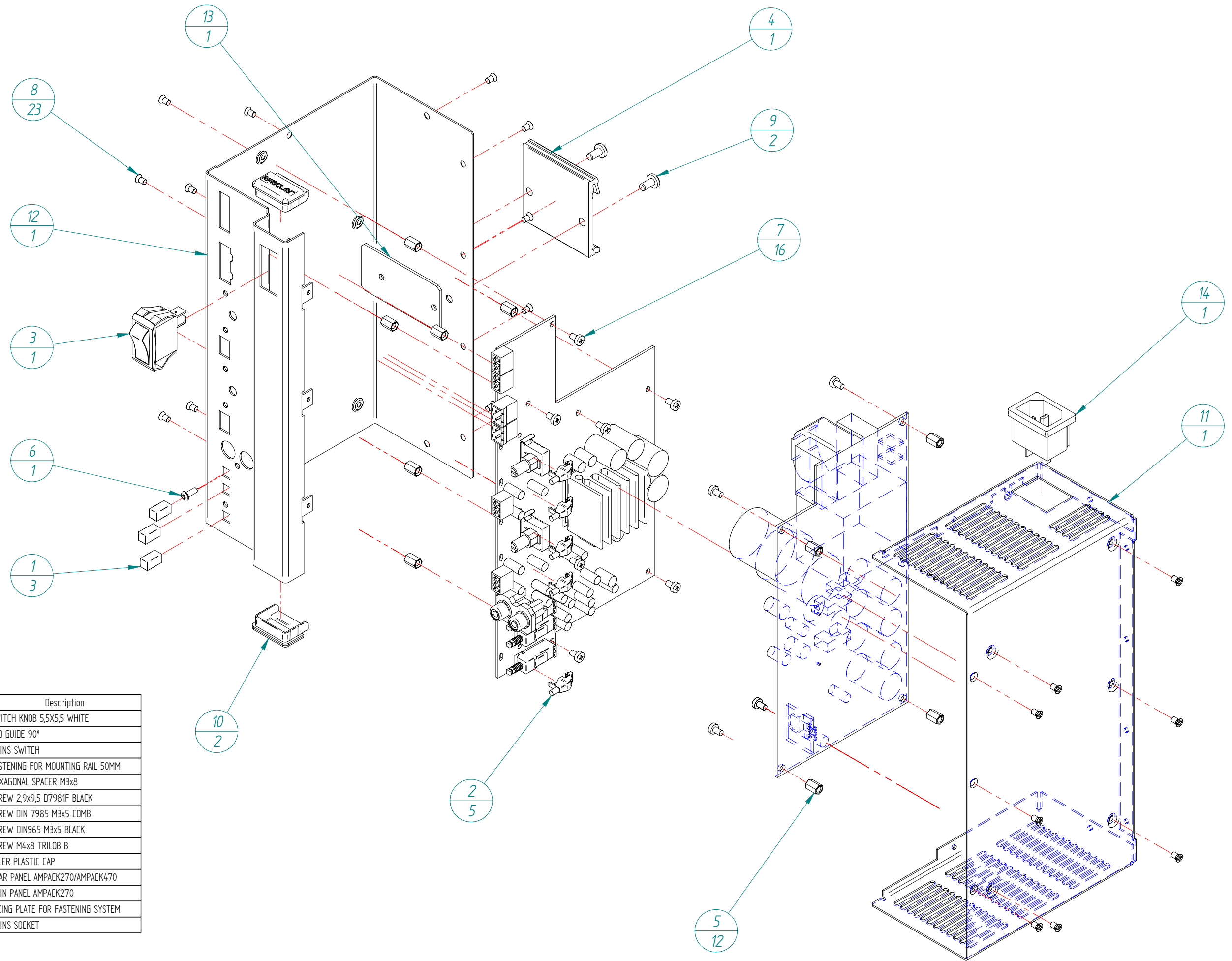
Code	Description	Reference
FCXR53147000	1k47	R156
FCXR53147000	1k47	R157
FCXR52825000	825	R158
FCXR54237000	23k7	R159
FCXR54237000	23k7	R160
FCXR54562000	56k2	R161
FCXR55681000	681k	R162
FCPR21004000	10kAx2	R163
FCPR21004000	10kAx2	R164
FCXR53316000	3k16	R165
FCXR53562000	5k62	R166
FCXR53562000	5k62	R167
FCXR53562000	5k62	R168
FCXR53562000	5k62	R169
FCXR54215000	21k5	R170
FCXR54215000	21k5	R171
FCXR53316000	3k16	R172
FCXR54348000	34k8	R173
FCXR53316000	3k16	R174
FCXR54316000	31k6	R175
FCXR53562000	5k62	R176
FCXR53562000	5k62	R177
FCXR52316000	316	R178
FCXR52100000	100.0	R179
FCXR52100000	100.0	R180
FCXR54237000	23k7	R181
FCXR54237000	23k7	R182
FCXR53100000	1k0	R183
FCXR53147000	1k47	R184
FCXR52825000	825	R185
FCXR54348000	34k8	R186
FCXR54348000	34k8	R187
FCXR51100000	10.0	R188
FCXR54511000	51k1	R189
FCXR54511000	51k1	R190
FCXR11100000	10.0	R191
FCXR11100000	10.0	R192
FCRF22120000	NF12/ 1/2	R193
FCXR55121000	121k	R194
FCXR55121000	121k	R195
FCXR54464000	46k4	R196
FCXR54464000	46k4	R197
FCXR54464000	46k4	R198
FCXR54464000	46k4	R199
FCXR51100000	10.0	R200
FCXR51100000	10.0	R201
FCXR51100000	10.0	R202
FCXR51100000	10.0	R203
FCXR51100000	10.0	R204
FCXR51100000	10.0	R205
FCXR51100000	10.0	R206
FCXR51100000	10.0	R207
FCXR54464000	46k4	R208
FCXR54464000	46k4	R209
FCXR51100000	10.0	R210

**PARTS LIST: PRINTED CIRCUIT 11.1238.03.00**

<b>Code</b>	<b>Description</b>	<b>Reference</b>
FCXR51100000	10.0	R211
FCXR51100000	10.0	R212
FCXR51100000	10.0	R213
FCXR53100000	1k0	R214
FCXR53100000	1k0	R215
FCXR54100000	10k0	R216
FCXR54100000	10k0	R217
FCXR53464000	4k64	R218
FCXR53464000	4k64	R219
FCINTAP01200	SPUJ19	S101
FCINTAP01200	SPUJ19	S102
FCINTAP01200	SPUJ19	S103
FCT803010000	Screw M3x10 SPA	SC101
FCT803010000	Screw M3x10 SPA	SC102
FCARDI030000	Internal Toothed Washer f/M3	WA101
FCARDI030000	Internal Toothed Washer f/M3	WA102
FCOC01220000	1012.02.00	WI101

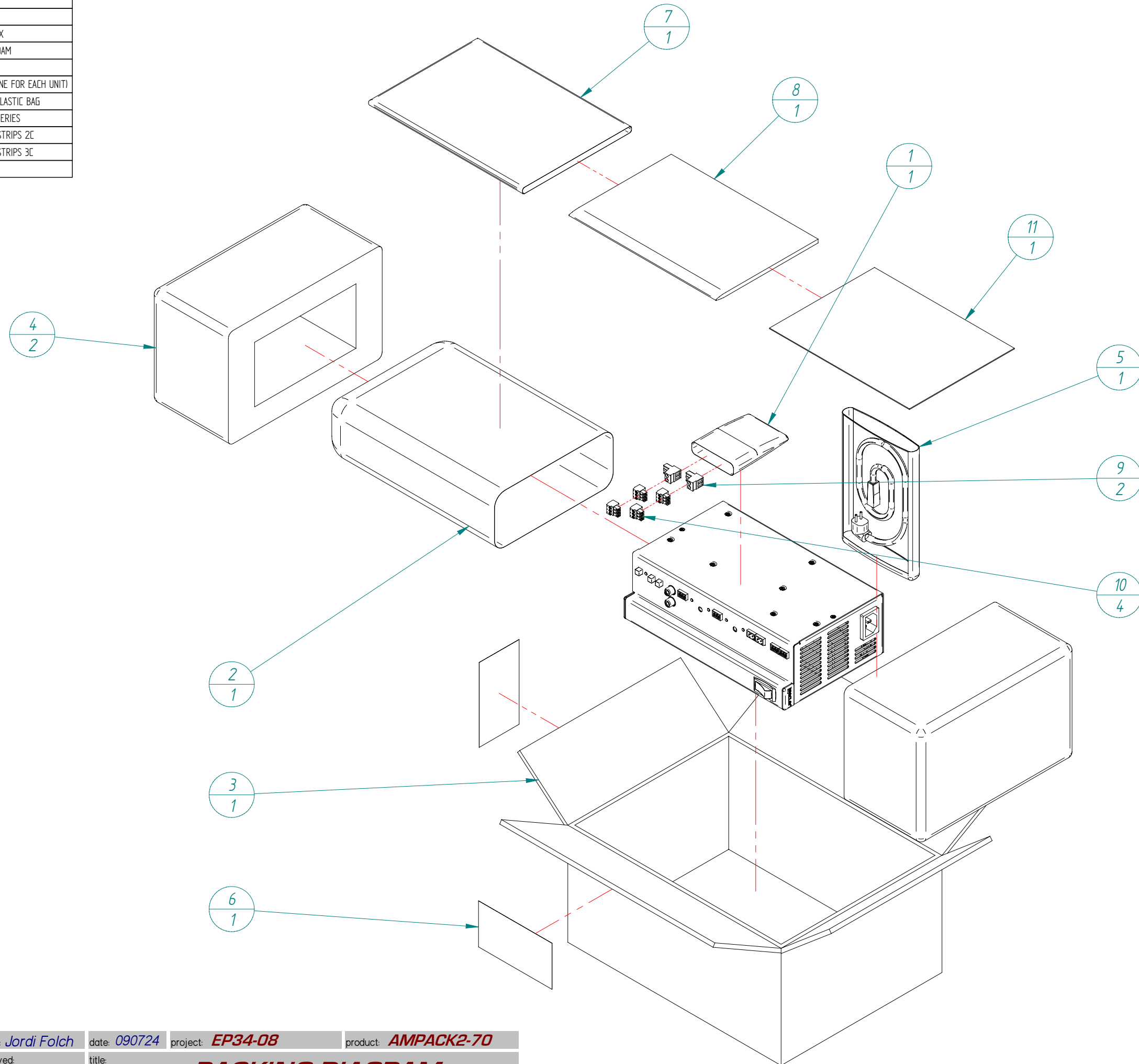
	<b>AMPACK2-70</b>	<b>AMPACK4-70</b>
POWER 20-20kHz 1% THD		
1 Channel @ 4Ω	68 WRMS	68 WRMS
1 Channel @ 8Ω	35 WRMS	35 WRMS
2-4 Channels @ 4Ω	64 WRMS	57 WRMS
2-4 Channels @ 8Ω	35 WRMS	34 WRMS
1-2 Bridged @ 8Ω	135 WRMS	130 WRMS
Frequency response (-3dB)	10Hz - 40kHz	10Hz - 40kHz
High pass filter 3rd order Butterworth	100Hz	100Hz
THD+Noise @ 1kHz Full Pwr.	<0.08%	<0.1%
Intermodulation distortion 50Hz & 7kHz, 4:1	<0.1%	<0.3%
TIM 100	<0.06%	<0.15%
S+N/N 20Hz -20kHz @ 1W/4Ω	>80dB	>80dB
Damping factor 1kHz @ 8Ω	>140	>140
Channel crosstalk @ 1kHz	>50dB	>50dB
Input Sensitivity / Impedance	0dBV/>20kΩ	0dBV/>20kΩ
Auto power threshold	>-35dB aprox.	>-35dB aprox.
Auto power time	2 min. aprox.	2 min. aprox.
Mains Voltage	230V AC	230V AC
Power consumption (pink noise, 1/8 power @ 4ohm)	96VA	135VA
Power consumption (pink noise, 1/3 power @ 4ohm)	170VA	250VA
Power dissipation (standby)	<9W	<9W
Dimensions	234x158.5x75mm	234x158.5x75mm
Weight	1.6kg	1.75kg
	<b>DLAPACK2-70</b>	
Output voltages	70/100V	
Power rating	80W RMS MAX	
Frequency response (-3dB)	45Hz÷25kHz	
Dimensions	230x151.5x75mm	
Weight	3.9kg	



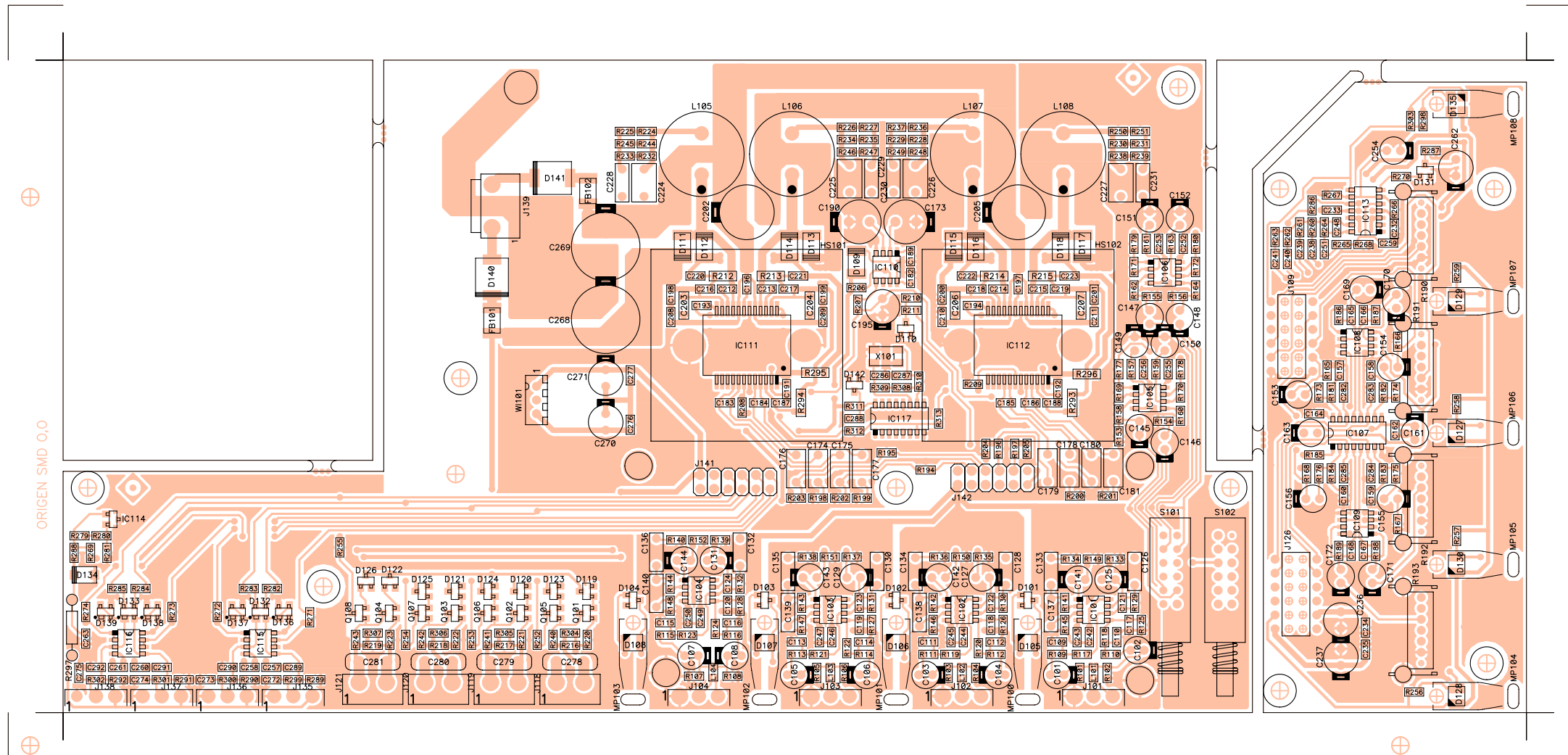


N°	Qty.	Code	Description
1	3	FCBOTRE01000	SWITCH KNOB 5,5X5,5 WHITE
2	5	FCGUAL15000	LED GUIDE 90°
3	1	FCINTRED5000	MAINS SWITCH
4	1	FCPINZAM1100	FASTENING FOR MOUNTING RAIL 50MM
5	12	FCSEP3080000	HEXAGONAL SPACER M3x8
6	1	FCT400290900	SCREW 2,9x9,5 D7981F BLACK
7	16	FCT803005000	SCREW DIN 7985 M3x5 COMBI
8	23	FCT803005500	SCREW DIN965 M3x5 BLACK
9	2	FCT850410800	SCREW M4x8 TRILOB B
10	2	FCTAPEMBAMPK	ECLER PLASTIC CAP
11	1	FP0313400000	REAR PANEL AMPACK270/AMPACK470
12	1	FP0313600000	MAIN PANEL AMPACK270
13	1	FP0315000000	FIXING PLATE FOR FASTENING SYSTEM
14	1	FRBASRE10300	MAINS SOCKET


N°	Qty.	Code	Description
1	1	FCBOL0010000	PLASTIC SLEEVE 60x80
2	1	FCBOLS010000	PACKING BAG 43x60
3	1	FCCAJSTA3600	PACKING CARDBOARD BOX
4	2	FCCANT115550	PACKING PROTECTION FOAM
5	1	FCCONX017500	MAINS CABLE 3x1
6	1	FCETI0951140	PRODUCT LABEL PACK (ONE FOR EACH UNIT)
7	1	FCFUNMAN0000	USER DOCUMENTATION PLASTIC BAG
8	1	FCMANAMPACK1	USER MANUAL AMPACK SERIES
9	2	FCREG1006000	CONNECTING TERMINAL STRIPS 2C
10	4	FCREG2007000	CONNECTING TERMINAL STRIPS 3C
11	1	FCTARJG00000	WARRANTY CARD



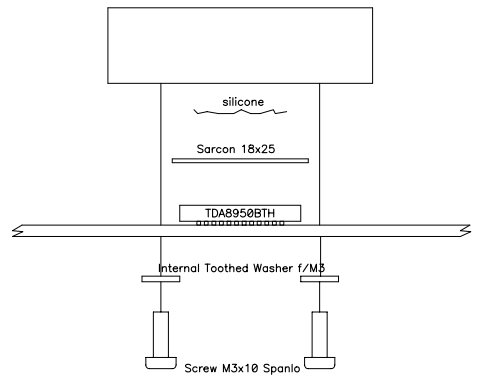
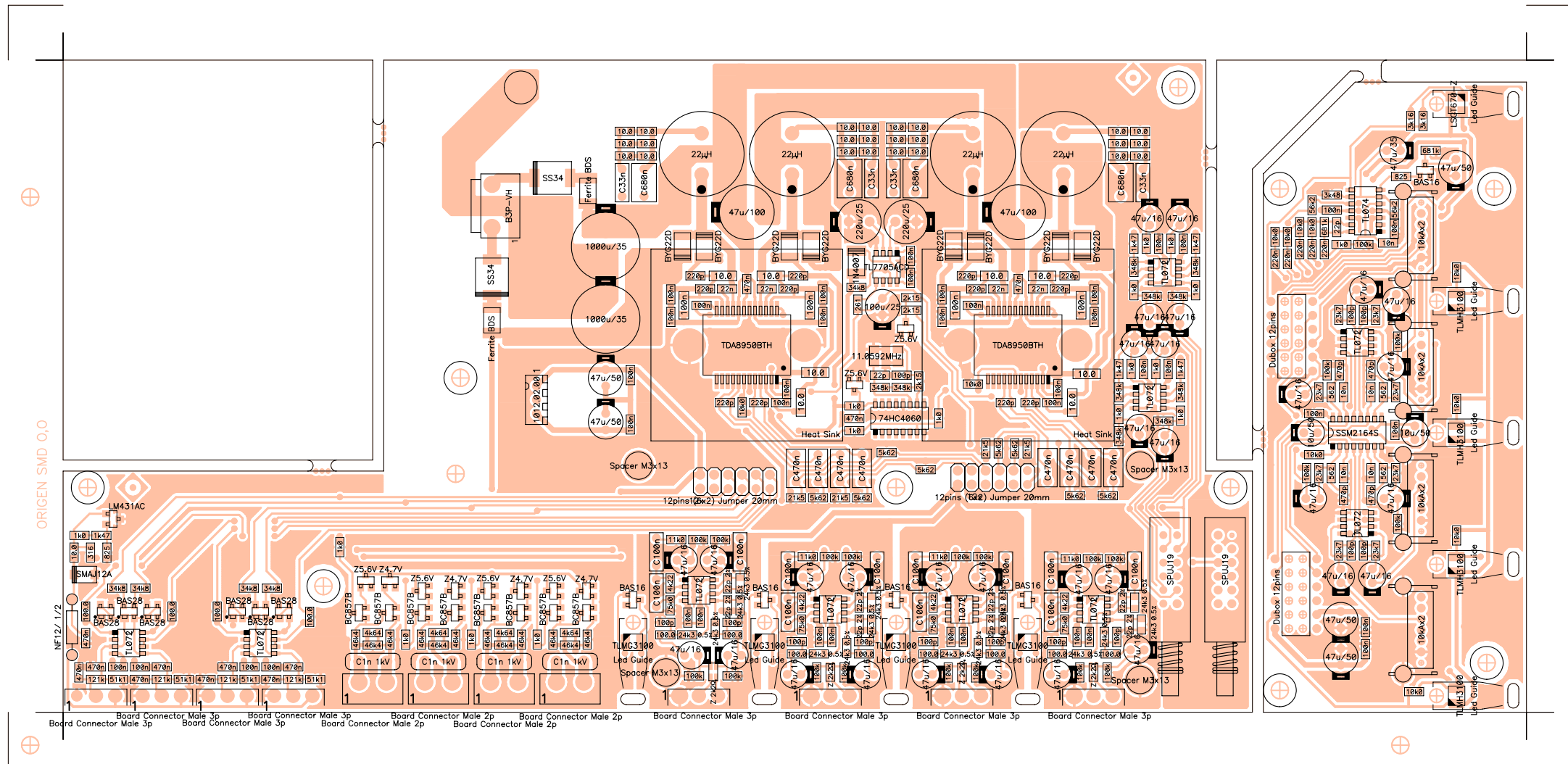




ORIGEN SMD 0,0

 LABORATORIO DE ELECTRO-ACUSTICA S.A.	related to:	circuit no: 11.1237-04.00 schema no: 10.0883-01.03 insertion file no: 81.0159-01.00	side: Component
	project n: EP35-08	view: Reference	
number: 33.1147	version: 01.03	product n: Ampack4-70	Main Ct.
drawn by: M. Amoros	date: 090723	approved: J.M.Mas	





Note: Tighten the screws alternatively up to 1Nm

		related to: circuit no: 11.1237-04.00 schema no: 10.0883-01.03 insertion file no: 81.0159-01.00	side: Component
		project n: EP35-08	view: Value
number: 33.1148	version: 01.03	<p style="text-align: center; font-size: 1.5em; margin: 0;"><b>Main Ct.</b></p>	
drawn by: M. Amorós	date: 090723		
	approved: J.M.Mas		

**PARTS LIST: PRINTED CIRCUIT 11.1237.04.00**

<b>Code</b>	<b>Description</b>	<b>Reference</b>
FCCE1000000	47u/16	C101
FCCE1000000	47u/16	C102
FCCE1000000	47u/16	C103
FCCE1000000	47u/16	C104
FCCE1000000	47u/16	C105
FCCE1000000	47u/16	C106
FCCE1000000	47u/16	C107
FCCE1000000	47u/16	C108
FCXCD2100000	100p	C109
FCXCD2100000	100p	C110
FCXCD2100000	100p	C111
FCXCD2100000	100p	C112
FCXCD2100000	100p	C113
FCXCD2100000	100p	C114
FCXCD2100000	100p	C115
FCXCD2100000	100p	C116
FCXCD1220100	22p 2%	C117
FCXCD1220100	22p 2%	C118
FCXCD1220100	22p 2%	C119
FCXCD1220100	22p 2%	C120
FCXCD1220100	22p 2%	C121
FCXCD1220100	22p 2%	C122
FCXCD1220100	22p 2%	C123
FCXCD1220100	22p 2%	C124
FCCE1000000	47u/16	C125
FCCDK1100000	C100n	C126
FCCE1000000	47u/16	C127
FCCDK1100000	C100n	C128
FCCE1000000	47u/16	C129
FCCDK1100000	C100n	C130
FCCE1000000	47u/16	C131
FCCDK1100000	C100n	C132
FCCDK1100000	C100n	C133
FCCDK1100000	C100n	C134
FCCDK1100000	C100n	C135
FCCDK1100000	C100n	C136
FCCDK1100000	C100n	C137
FCCDK1100000	C100n	C138
FCCDK1100000	C100n	C139
FCCDK1100000	C100n	C140
FCCE1000000	47u/16	C141
FCCE1000000	47u/16	C142
FCCE1000000	47u/16	C143
FCCE1000000	47u/16	C144
FCCE1000000	47u/16	C145
FCCE1000000	47u/16	C146
FCCE1000000	47u/16	C147
FCCE1000000	47u/16	C148
FCCE1000000	47u/16	C149
FCCE1000000	47u/16	C150
FCCE1000000	47u/16	C151
FCCE1000000	47u/16	C152
FCCE1000000	47u/16	C153
FCCE1000000	47u/16	C154
FCCE1000000	47u/16	C155

**PARTS LIST: PRINTED CIRCUIT 11.1237.04.00**

<b>Code</b>	<b>Description</b>	<b>Reference</b>
FCCE1000000	47u/16	C156
FCXCD2470000	470p	C157
FCXCD2470000	470p	C158
FCXCD2470000	470p	C159
FCXCD2470000	470p	C160
FCCE25010000	10u/50	C161
FCXCD4100000	100n	C162
FCCE25010000	10u/50	C163
FCXCD4100000	100n	C164
FCXCD2100000	100p	C165
FCXCD2100000	100p	C166
FCXCD2100000	100p	C167
FCXCD2100000	100p	C168
FCCE1000000	47u/16	C169
FCCE1000000	47u/16	C170
FCCE1000000	47u/16	C171
FCCE1000000	47u/16	C172
FCCE15220000	220u/25	C173
FCCDK1470000	C470n	C174
FCCDK1470000	C470n	C175
FCCDK1470000	C470n	C176
FCCDK1470000	C470n	C177
FCCDK1470000	C470n	C178
FCCDK1470000	C470n	C179
FCCDK1470000	C470n	C180
FCCDK1470000	C470n	C181
FCXCD4100000	100n	C182
FCXCD2220000	220p	C183
FCXCD2220000	220p	C184
FCXCD2220000	220p	C185
FCXCD2220000	220p	C186
FCXCD4100000	100n	C187
FCXCD4100000	100n	C188
FCXCD4100000	100n	C189
FCCE15220000	220u/25	C190
FCXCD4100000	100n	C191
FCXCD4100000	100n	C192
FCXCD4100000	100n	C193
FCXCD4100000	100n	C194
FCCE15100000	100u/25	C195
FCXCD4470000	470n	C196
FCXCD4470000	470n	C197
FCXCD4100000	100n	C198
FCXCD4100000	100n	C199
FCXCD4100000	100n	C200
FCXCD4100000	100n	C201
FCCE35047000	47u/100	C202
FCXCN4100000	100n	C203
FCXCN4100000	100n	C204
FCCE35047000	47u/100	C205
FCXCN4100000	100n	C206
FCXCN4100000	100n	C207
FCXCD4100000	100n	C208
FCXCD4100000	100n	C209
FCXCD4100000	100n	C210

**PARTS LIST: PRINTED CIRCUIT 11.1237.04.00**

<b>Code</b>	<b>Description</b>	<b>Reference</b>
FCXCD4100000	100n	C211
FCXCD4022000	22n	C212
FCXCD4022000	22n	C213
FCXCD4022000	22n	C214
FCXCD4022000	22n	C215
FCXCD2220000	220p	C216
FCXCD2220000	220p	C217
FCXCD2220000	220p	C218
FCXCD2220000	220p	C219
FCXCD2220000	220p	C220
FCXCD2220000	220p	C221
FCXCD2220000	220p	C222
FCXCD2220000	220p	C223
FCCDK1680000	C680n	C224
FCCDK1680000	C680n	C225
FCCDK1680000	C680n	C226
FCCDK1680000	C680n	C227
FCCDK1033000	C33n	C228
FCCDK1033000	C33n	C229
FCCDK1033000	C33n	C230
FCCDK1033000	C33n	C231
FCXCD4100000	100n	C232
FCXCD4100000	100n	C233
FCXCD4100000	100n	C234
FCXCD4100000	100n	C235
FCCE25047000	47u/50	C236
FCCE25047000	47u/50	C237
FCXCD4220000	220n	C238
FCXCD4220000	220n	C239
FCXCD4220000	220n	C240
FCXCD4220000	220n	C241
FCXCD4100000	100n	C242
FCXCD4100000	100n	C243
FCXCD4100000	100n	C244
FCXCD4100000	100n	C245
FCXCD4100000	100n	C246
FCXCD4100000	100n	C247
FCXCD1220000	22p	C248
FCXCD4100000	100n	C249
FCXCD4100000	100n	C250
FCXCD4220000	220n	C251
FCXCD4100000	100n	C252
FCXCD4100000	100n	C253
FCCE20004700	4.7u/35	C254
FCXCD4100000	100n	C255
FCXCD4100000	100n	C256
FCXCD4100000	100n	C257
FCXCD4100000	100n	C258
FCXCD4010000	10n	C259
FCXCD4100000	100n	C260
FCXCD4100000	100n	C261
FCCE25047000	47u/50	C262
FCXCD4470000	470n	C263
FCCE21100000	1000u/35	C268
FCCE21100000	1000u/35	C269

**PARTS LIST: PRINTED CIRCUIT 11.1237.04.00**

Code	Description	Reference
FCCE25047000	47u/50	C270
FCCE25047000	47u/50	C271
FCXCD4470000	470n	C272
FCXCD4470000	470n	C273
FCXCD4470000	470n	C274
FCXCD4470000	470n	C275
FCXCD4100000	100n	C276
FCXCD4100000	100n	C277
FCCCD5100100	C1n 1kV	C278
FCCCD5100100	C1n 1kV	C279
FCCCD5100100	C1n 1kV	C280
FCCCD5100100	C1n 1kV	C281
FCXCD4010000	10n	C282
FCXCD4010000	10n	C283
FCXCD4010000	10n	C284
FCXCD4010000	10n	C285
FCXCD1220000	22p	C286
FCXCD2100000	100p	C287
FCXCD4470000	470n	C288
FCXCD4470000	470n	C289
FCXCD4470000	470n	C290
FCXCD4470000	470n	C291
FCXCD4470000	470n	C292
FCCI01237000	Printed Board 11.1237	CI101
FCXDDBAS1600	BAS16	D101
FCXDDBAS1600	BAS16	D102
FCXDDBAS1600	BAS16	D103
FCXDDBAS1600	BAS16	D104
FCLEDSMD3000	TLMG3100	D105
FCLEDSMD3000	TLMG3100	D106
FCLEDSMD3000	TLMG3100	D107
FCLEDSMD3000	TLMG3100	D108
FCXDD4007000	1N4007	D109
FCXZ00005600	Z5.6V	D110
FCXREC021000	BYG22D	D111
FCXREC021000	BYG22D	D112
FCXREC021000	BYG22D	D113
FCXREC021000	BYG22D	D114
FCXREC021000	BYG22D	D115
FCXREC021000	BYG22D	D116
FCXREC021000	BYG22D	D117
FCXREC021000	BYG22D	D118
FCXZ00004700	Z4.7V	D119
FCXZ00004700	Z4.7V	D120
FCXZ00004700	Z4.7V	D121
FCXZ00004700	Z4.7V	D122
FCXZ00005600	Z5.6V	D123
FCXZ00005600	Z5.6V	D124
FCXZ00005600	Z5.6V	D125
FCXZ00005600	Z5.6V	D126
FCLEDSMD2000	TLMH3100	D127
FCLEDSMD2000	TLMH3100	D128
FCLEDSMD2000	TLMH3100	D129
FCLEDSMD2000	TLMH3100	D130
FCXDDBAS1600	BAS16	D131

**PARTS LIST: PRINTED CIRCUIT 11.1237.04.00**

Code	Description	Reference
FCXDDBAS2800	BAS28	D132
FCXDDBAS2800	BAS28	D133
FCDDKE120000	SMAJ12A	D134
FCLEDSMD1000	LSGT670-Z	D135
FCXDDBAS2800	BAS28	D136
FCXDDBAS2800	BAS28	D137
FCXDDBAS2800	BAS28	D138
FCXDDBAS2800	BAS28	D139
FCXDDSB34000	SS34	D140
FCXDDSB34000	SS34	D141
FCXZ00005600	Z5.6V	D142
FCFER0050000	Ferrite BDS	FB101
FCFER0050000	Ferrite BDS	FB102
FCRAD8920000	Heat Sink	HS101
FCRAD8920000	Heat Sink	HS102
FCIC07201000	TL072	IC101
FCIC07201000	TL072	IC102
FCIC07201000	TL072	IC103
FCIC07201000	TL072	IC104
FCIC07201000	TL072	IC105
FCIC07201000	TL072	IC106
FCIC21641000	SSM2164S	IC107
FCIC07201000	TL072	IC108
FCIC07201000	TL072	IC109
FCIC77050000	TL7705ACD	IC110
FCIC89500000	TDA8950BTH	IC111
FCIC89500000	TDA8950BTH	IC112
FCIC07401000	TL074	IC113
FCIC43101000	LM431AC	IC114
FCIC07201000	TL072	IC115
FCIC07201000	TL072	IC116
FCIC74406000	74HC4060	IC117
FCTIRKON0050	Sarcon 18x25mm	IN101
FCTIRKON0050	Sarcon 18x25mm	IN102
FCREG3007000	Board Connector Male 3p	J101
FCREG3007000	Board Connector Male 3p	J102
FCREG3007000	Board Connector Male 3p	J103
FCREG3007000	Board Connector Male 3p	J104
FCCONTPOS010	Dubox 12pins	J109
FCREG1016000	Board Connector Male 2p	J118
FCREG1016000	Board Connector Male 2p	J119
FCREG1016000	Board Connector Male 2p	J120
FCREG1016000	Board Connector Male 2p	J121
FCCONTPOS010	Dubox 12pins	J126
FCREG3007000	Board Connector Male 3p	J135
FCREG3007000	Board Connector Male 3p	J136
FCREG3007000	Board Connector Male 3p	J137
FCREG3007000	Board Connector Male 3p	J138
FCCTJ1003000	B3P-VH	J139
FCTERMG12M00	12pins (6x2) Jumper 20mm	J141
FCTERMG12M00	12pins (6x2) Jumper 20mm	J142
FCCHKX220000	Z 2k2ê	L101
FCCHKX220000	Z 2k2ê	L102
FCCHKX220000	Z 2k2ê	L103
FCCHKX220000	Z 2k2ê	L104

**PARTS LIST: PRINTED CIRCUIT 11.1237.04.00**

Code	Description	Reference
FCIND0002200	22æH	L105
FCIND0002200	22æH	L106
FCIND0002200	22æH	L107
FCIND0002200	22æH	L108
FCGUAL15000	Led Guide	MP100
FCGUAL15000	Led Guide	MP101
FCGUAL15000	Led Guide	MP102
FCGUAL15000	Led Guide	MP103
FCGUAL15000	Led Guide	MP104
FCGUAL15000	Led Guide	MP105
FCGUAL15000	Led Guide	MP106
FCGUAL15000	Led Guide	MP107
FCGUAL15000	Led Guide	MP108
FCXTT0857000	BC857B	Q101
FCXTT0857000	BC857B	Q102
FCXTT0857000	BC857B	Q103
FCXTT0857000	BC857B	Q104
FCXTT0857000	BC857B	Q105
FCXTT0857000	BC857B	Q106
FCXTT0857000	BC857B	Q107
FCXTT0857000	BC857B	Q108
FCXR55100000	100k	R101
FCXR55100000	100k	R102
FCXR55100000	100k	R103
FCXR55100000	100k	R104
FCXR55100000	100k	R105
FCXR55100000	100k	R106
FCXR55100000	100k	R107
FCXR55100000	100k	R108
FCXR52100000	100.0	R109
FCXR52100000	100.0	R110
FCXR52100000	100.0	R111
FCXR52100000	100.0	R112
FCXR52100000	100.0	R113
FCXR52100000	100.0	R114
FCXR52100000	100.0	R115
FCXR52100000	100.0	R116
FCXR64243000	24k3 0.5%	R117
FCXR64243000	24k3 0.5%	R118
FCXR64243000	24k3 0.5%	R119
FCXR64243000	24k3 0.5%	R120
FCXR64243000	24k3 0.5%	R121
FCXR64243000	24k3 0.5%	R122
FCXR64243000	24k3 0.5%	R123
FCXR64243000	24k3 0.5%	R124
FCXR64243000	24k3 0.5%	R125
FCXR64243000	24k3 0.5%	R126
FCXR64243000	24k3 0.5%	R127
FCXR64243000	24k3 0.5%	R128
FCXR64243000	24k3 0.5%	R129
FCXR64243000	24k3 0.5%	R130
FCXR64243000	24k3 0.5%	R131
FCXR64243000	24k3 0.5%	R132
FCXR55100000	100k	R133
FCXR54110000	11k0	R134

**PARTS LIST: PRINTED CIRCUIT 11.1237.04.00**

<b>Code</b>	<b>Description</b>	<b>Reference</b>
FCXR55100000	100k	R135
FCXR54110000	11k0	R136
FCXR55100000	100k	R137
FCXR54110000	11k0	R138
FCXR55100000	100k	R139
FCXR54110000	11k0	R140
FCXR53422000	4k22	R141
FCXR53422000	4k22	R142
FCXR53422000	4k22	R143
FCXR53422000	4k22	R144
FCXR54750000	75k0	R145
FCXR54750000	75k0	R146
FCXR54750000	75k0	R147
FCXR54750000	75k0	R148
FCXR55100000	100k	R149
FCXR55100000	100k	R150
FCXR55100000	100k	R151
FCXR55100000	100k	R152
FCXR55348000	348k	R153
FCXR55348000	348k	R154
FCXR55348000	348k	R155
FCXR55348000	348k	R156
FCXR53100000	1k0	R157
FCXR53100000	1k0	R158
FCXR53100000	1k0	R159
FCXR53100000	1k0	R160
FCXR53100000	1k0	R161
FCXR53100000	1k0	R162
FCXR53100000	1k0	R163
FCXR53100000	1k0	R164
FCXR55100000	100k	R165
FCXR55100000	100k	R166
FCXR55100000	100k	R167
FCXR55100000	100k	R168
FCXR55348000	348k	R169
FCXR55348000	348k	R170
FCXR55348000	348k	R171
FCXR55348000	348k	R172
FCXR54237000	23k7	R173
FCXR54237000	23k7	R174
FCXR54237000	23k7	R175
FCXR54237000	23k7	R176
FCXR53147000	1k47	R177
FCXR53147000	1k47	R178
FCXR53147000	1k47	R179
FCXR53147000	1k47	R180
FCXR52562000	562	R181
FCXR52562000	562	R182
FCXR52562000	562	R183
FCXR52562000	562	R184
FCXR54100000	10k0	R185
FCXR54237000	23k7	R186
FCXR54237000	23k7	R187
FCXR54237000	23k7	R188
FCXR54237000	23k7	R189



**PARTS LIST: PRINTED CIRCUIT 11.1237.04.00**

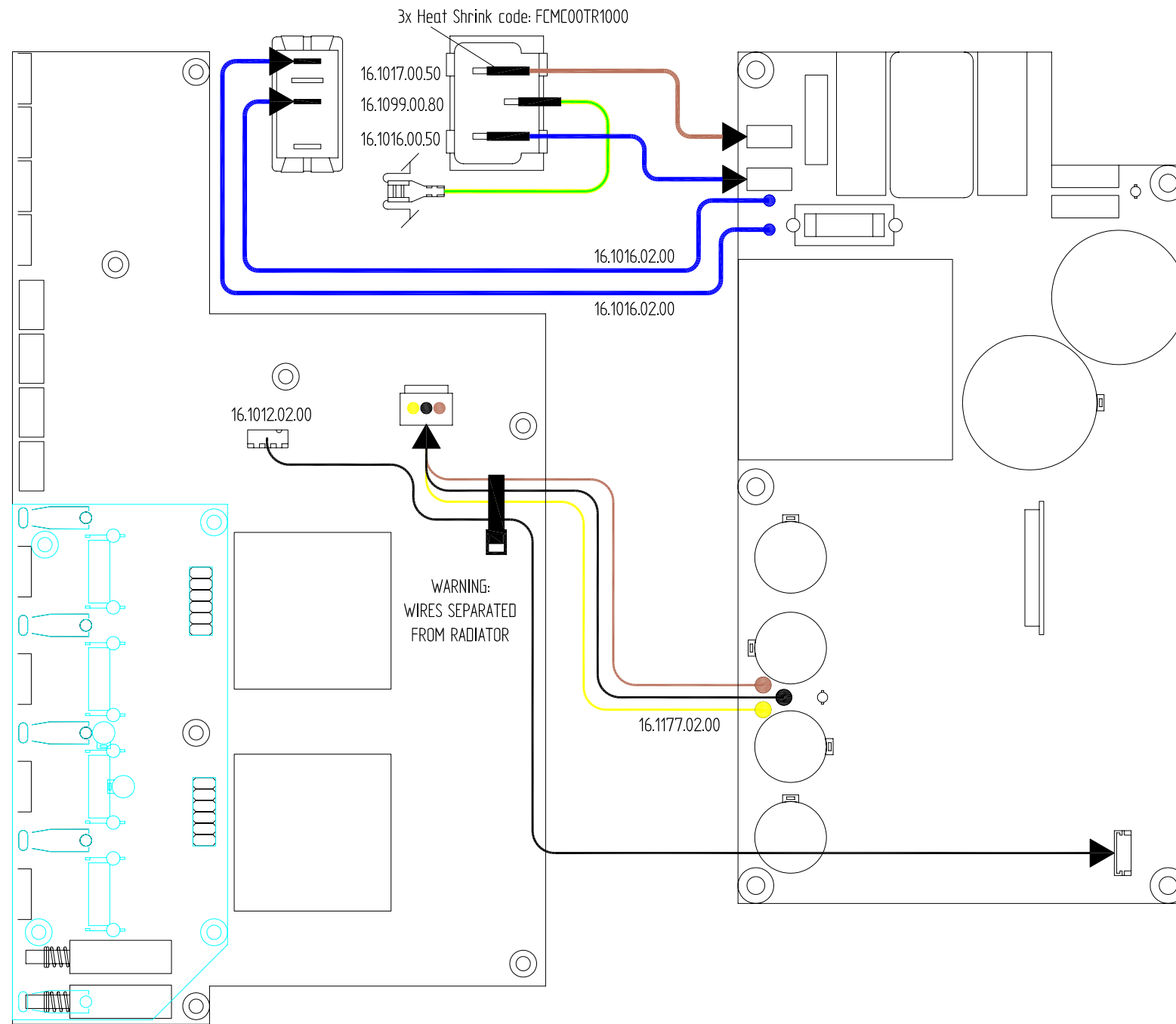
Code	Description	Reference
FCPR21004000	10kAx2	R190
FCPR21004000	10kAx2	R191
FCPR21004000	10kAx2	R192
FCPR21004000	10kAx2	R193
FCXR53562000	5k62	R194
FCXR53562000	5k62	R195
FCXR53562000	5k62	R196
FCXR53562000	5k62	R197
FCXR53562000	5k62	R198
FCXR53562000	5k62	R199
FCXR53562000	5k62	R200
FCXR53562000	5k62	R201
FCXR54215000	21k5	R202
FCXR54215000	21k5	R203
FCXR54215000	21k5	R204
FCXR54215000	21k5	R205
FCXR54348000	34k8	R206
FCXR52261000	261	R207
FCXR54100000	10k0	R208
FCXR54100000	10k0	R209
FCXR53215000	2k15	R210
FCXR53215000	2k15	R211
FCXR11100000	10.0	R212
FCXR11100000	10.0	R213
FCXR11100000	10.0	R214
FCXR11100000	10.0	R215
FCXR54464000	46k4	R216
FCXR54464000	46k4	R217
FCXR54464000	46k4	R218
FCXR54464000	46k4	R219
FCXR54464000	46k4	R220
FCXR54464000	46k4	R221
FCXR54464000	46k4	R222
FCXR54464000	46k4	R223
FCXR51100000	10.0	R224
FCXR51100000	10.0	R225
FCXR51100000	10.0	R226
FCXR51100000	10.0	R227
FCXR51100000	10.0	R228
FCXR51100000	10.0	R229
FCXR51100000	10.0	R230
FCXR51100000	10.0	R231
FCXR51100000	10.0	R232
FCXR51100000	10.0	R233
FCXR51100000	10.0	R234
FCXR51100000	10.0	R235
FCXR51100000	10.0	R236
FCXR51100000	10.0	R237
FCXR51100000	10.0	R238
FCXR51100000	10.0	R239
FCXR54464000	46k4	R240
FCXR54464000	46k4	R241
FCXR54464000	46k4	R242
FCXR54464000	46k4	R243
FCXR51100000	10.0	R244

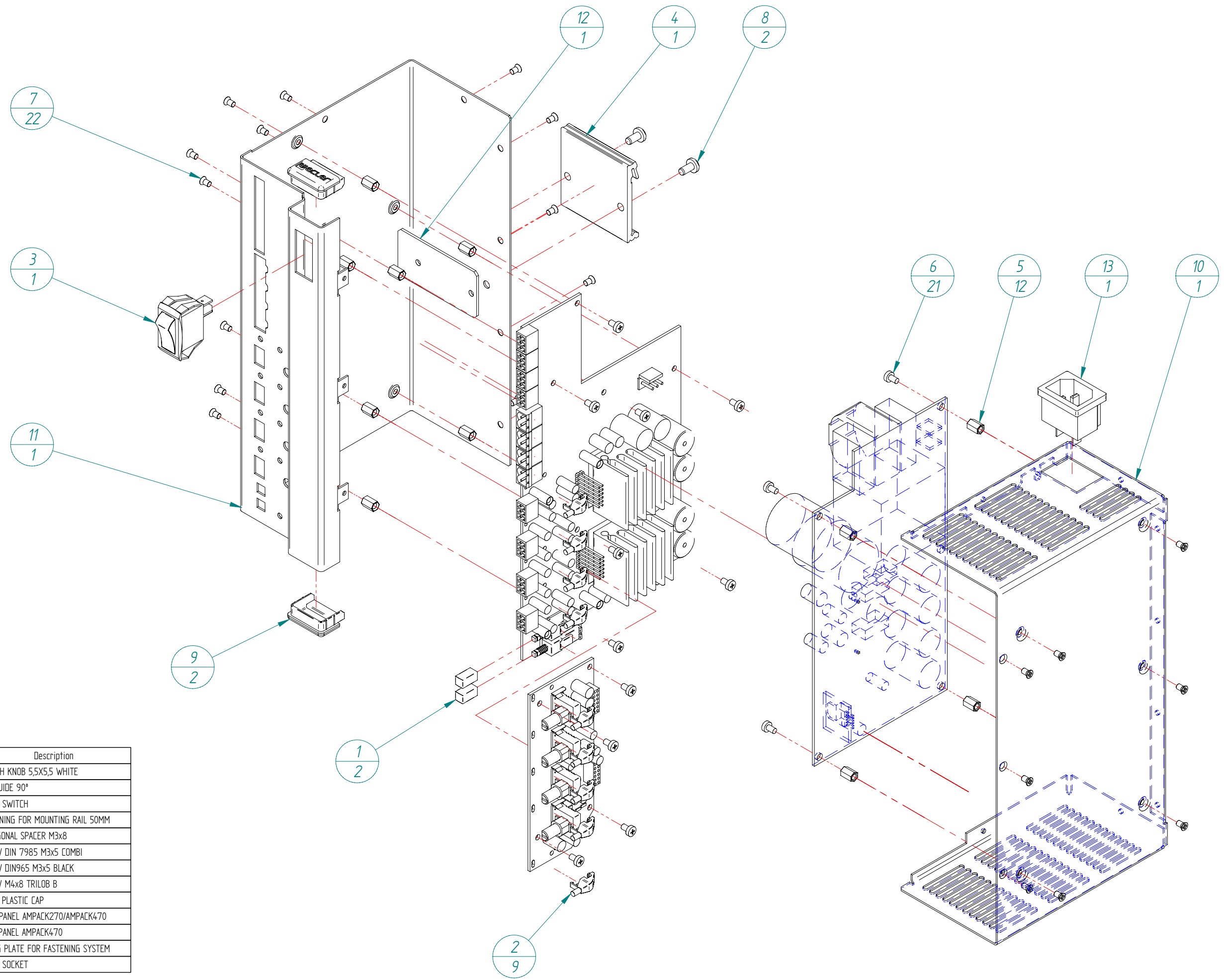
**PARTS LIST: PRINTED CIRCUIT 11.1237.04.00**

Code	Description	Reference
FCXR51100000	10.0	R245
FCXR51100000	10.0	R246
FCXR51100000	10.0	R247
FCXR51100000	10.0	R248
FCXR51100000	10.0	R249
FCXR51100000	10.0	R250
FCXR51100000	10.0	R251
FCXR53100000	1k0	R252
FCXR53100000	1k0	R253
FCXR53100000	1k0	R254
FCXR53100000	1k0	R255
FCXR54100000	10k0	R256
FCXR54100000	10k0	R257
FCXR54100000	10k0	R258
FCXR54100000	10k0	R259
FCXR54100000	10k0	R260
FCXR54100000	10k0	R261
FCXR54100000	10k0	R262
FCXR54100000	10k0	R263
FCXR55681000	681k	R264
FCXR53100000	1k0	R265
FCXR54562000	56k2	R266
FCXR53348000	3k48	R267
FCXR55100000	100k	R268
FCXR52316000	316	R269
FCXR52825000	825	R270
FCXR52100000	100.0	R271
FCXR52100000	100.0	R272
FCXR52100000	100.0	R273
FCXR52100000	100.0	R274
FCXR53100000	1k0	R279
FCXR53147000	1k47	R280
FCXR52825000	825	R281
FCXR54348000	34k8	R282
FCXR54348000	34k8	R283
FCXR54348000	34k8	R284
FCXR54348000	34k8	R285
FCXR54562000	56k2	R286
FCXR55681000	681k	R287
FCXR51100000	10.0	R288
FCXR54511000	51k1	R289
FCXR54511000	51k1	R290
FCXR54511000	51k1	R291
FCXR54511000	51k1	R292
FCXR11100000	10.0	R293
FCXR11100000	10.0	R294
FCXR11100000	10.0	R295
FCXR11100000	10.0	R296
FCRF22120000	NF12/ 1/2	R297
FCXR53316000	3k16	R298
FCXR55121000	121k	R299
FCXR55121000	121k	R300
FCXR55121000	121k	R301
FCXR55121000	121k	R302
FCXR53316000	3k16	R303

**PARTS LIST: PRINTED CIRCUIT 11.1237.04.00**

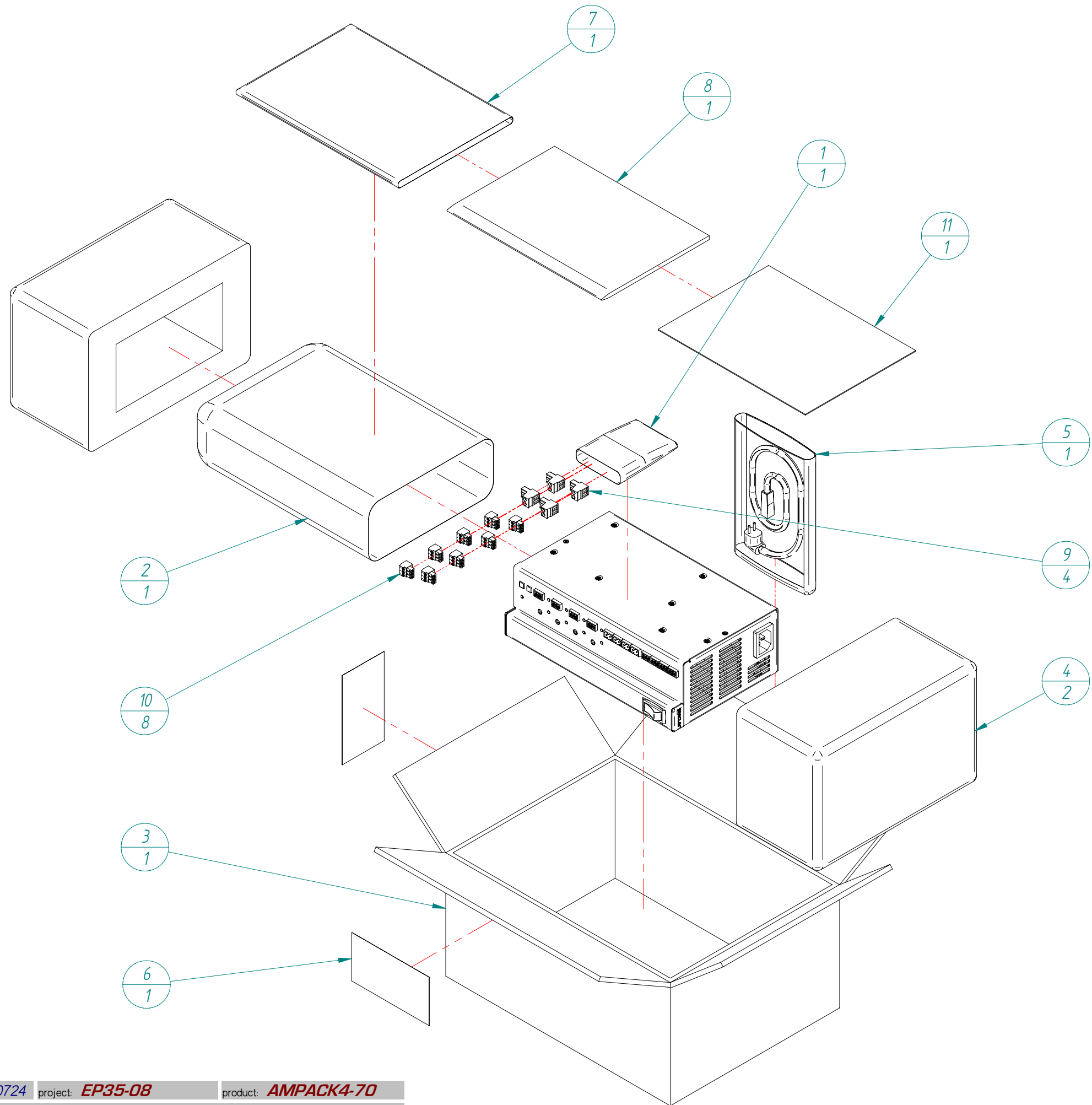
<b>Code</b>	<b>Description</b>	<b>Reference</b>
FCXR53464000	4k64	R304
FCXR53464000	4k64	R305
FCXR53464000	4k64	R306
FCXR53464000	4k64	R307
FCXR55348000	348k	R308
FCXR55348000	348k	R309
FCXR53215000	2k15	R310
FCXR53100000	1k0	R311
FCXR53100000	1k0	R312
FCXR53100000	1k0	R313
FCINTAP01200	SPUJ19	S101
FCINTAP01200	SPUJ19	S102
FCT803010000	Screw M3x10 SPA	SC101
FCT803010000	Screw M3x10 SPA	SC102
FCT803010000	Screw M3x10 SPA	SC103
FCT803010000	Screw M3x10 SPA	SC104
FCSEPCIO2000	Spacer M3x13	SP102
FCSEPCIO2000	Spacer M3x13	SP103
FCSEPCIO2000	Spacer M3x13	SP104
FCSEPCIO2000	Spacer M3x13	SP111
FCARDIO30000	Internal Toothed Washer f/M3	WA101
FCARDIO30000	Internal Toothed Washer f/M3	WA102
FCARDIO30000	Internal Toothed Washer f/M3	WA103
FCARDIO30000	Internal Toothed Washer f/M3	WA104
FCOC01220000	1012.02.00	WI101
FCCRISX11592	11.0592MHz	X101

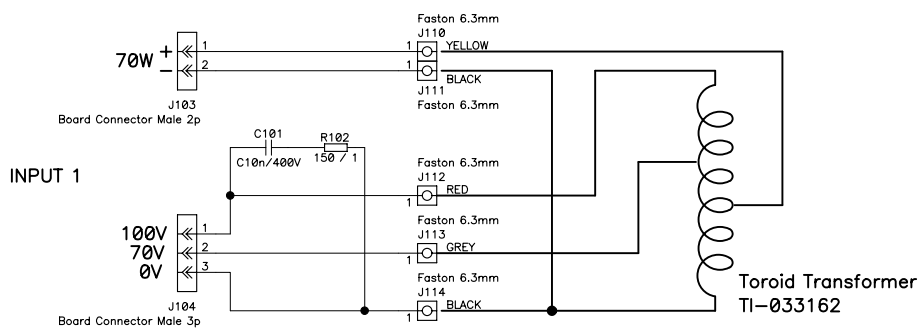
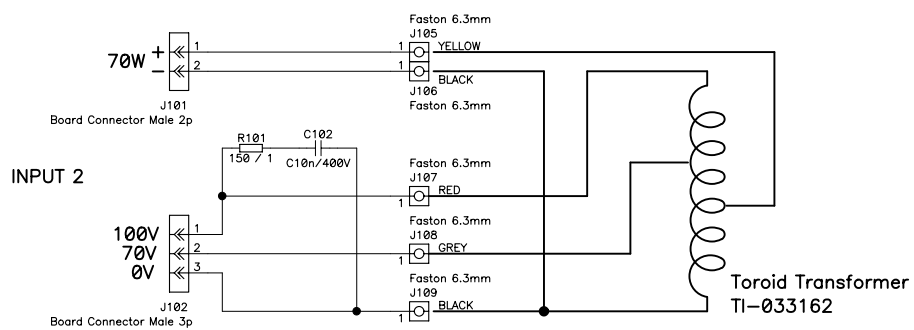




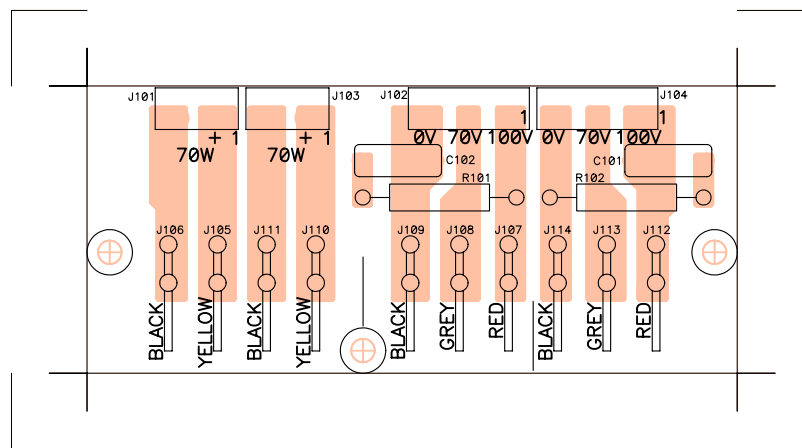
N°	Qty.	Code	Description
1	2	FCBOTRE01000	SWITCH KNOB 5,5X5,5 WHITE
2	9	FCGUAL15000	LED GUIDE 90°
3	1	FCINTRED5000	MAINS SWITCH
4	1	FCPINZAM1100	FASTENING FOR MOUNTING RAIL 50MM
5	12	FCSEP3080000	HEXAGONAL SPACER M3x8
6	21	FCT803005000	SCREW DIN 7985 M3x5 COMBI
7	22	FCT803005500	SCREW DIN965 M3x5 BLACK
8	2	FCT850410800	SCREW M4x8 TRILOB B
9	2	FCTAPEMBAMPK	ECLER PLASTIC CAP
10	1	FP0313400000	REAR PANEL AMPACK270/AMPAK470
11	1	FP0313500000	MAIN PANEL AMPACK470
12	1	FP0315000000	FIXING PLATE FOR FASTENING SYSTEM
13	1	FRBASRE10300	MAINS SOCKET


N°	Qty.	Code	Description
1	1	FCBOL0010000	PLASTIC SLEEVE 60x80
2	1	FCBOLS010000	PACKING BAG 43x60
3	1	FCCAJSTA3600	PACKING CARDBOARD BOX
4	2	FCCANT115550	PACKING PROTECTION FOAM
5	1	FCCONX017500	MAINS CABLE 3x1
6	1	FCET10951140	PRODUCT LABEL PACK (ONE FOR EACH UNIT)
7	1	FCFUNMAN0000	USER DOCUMENTATION PLASTIC BAG
8	1	FCMANAMPACK1	USER MANUAL AMPACK SERIES
9	4	FCREG1006000	CONNECTING TERMINAL STRIPS 2C
10	8	FCREG2007000	CONNECTING TERMINAL STRIPS 3C
11	1	FCTARJG00000	WARRANTY CARD



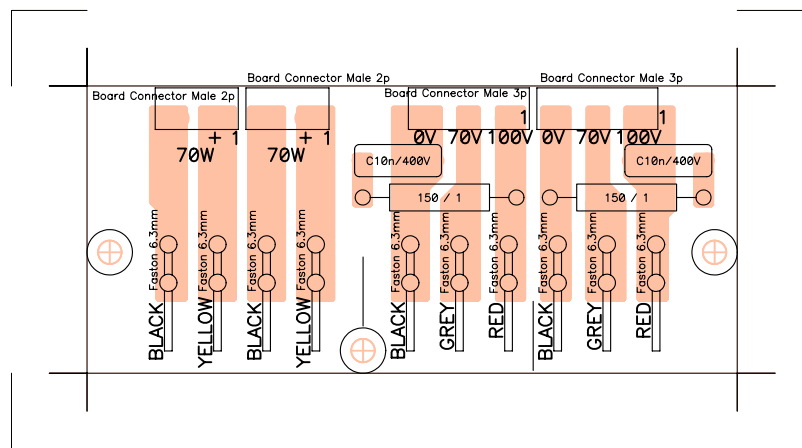



Printed Board 11.1239



 LABORATORIO DE ELECTRO-ACUSTICA S.A.	related to: circuit no: 11.1239-01.00 schema no: 10.0885-01.00 insertion file no:		side: Component
	project n: A36-08		view: Reference
number: 33.1151	version: 01.00	title:	
drawn by: M. Amoros	date: 090209	<b>Connection Ct.</b>	
		product n: DLApack2-70	
		approved: J.M.Mas	



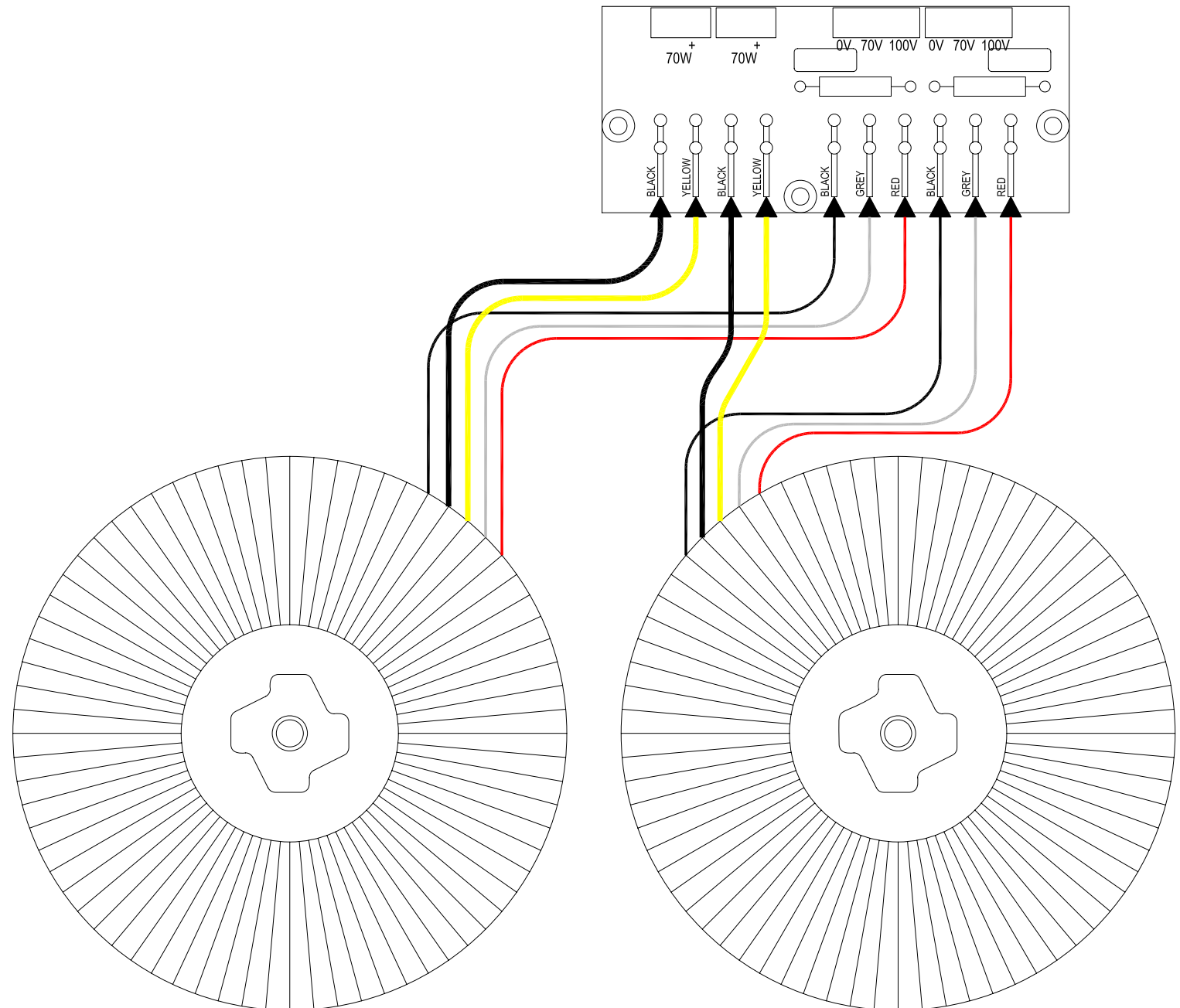
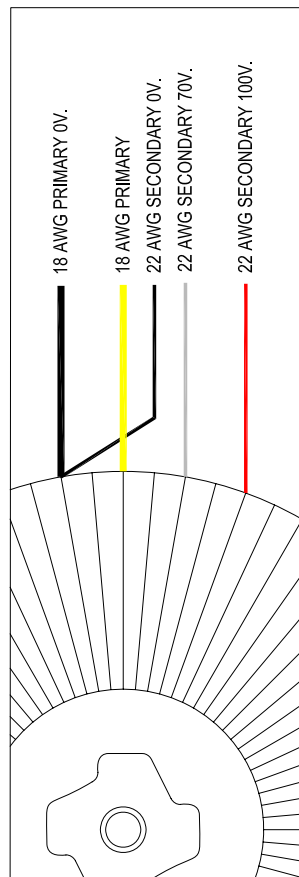


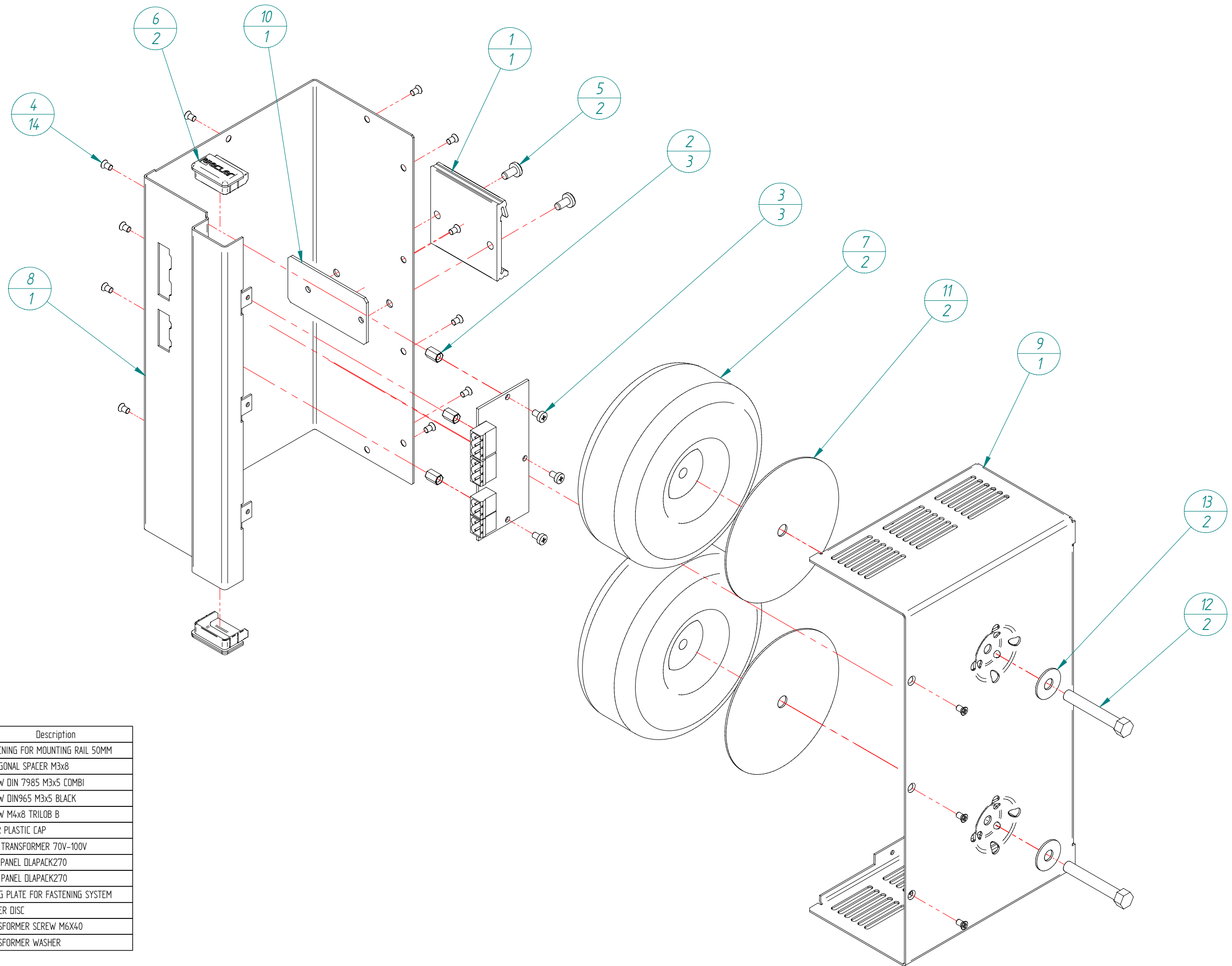
 LABORATORIO DE ELECTRO-ACUSTICA S.A.	related to: circuit no: 11.1239-01.00 schema no: 10.0885-01.00 insertion file no:		side: Component
	project n: A36-08		view: Value
number: 33.1152	version: 01.00	product n: DLApack2-70	<h2>Connection Ct.</h2>
drawn by: M. Amoros	date: 090209	approved: J.M.Mas	

**PARTS LIST: PRINTED CIRCUIT 11.1239.01.00**

<b>Code</b>	<b>Description</b>	<b>Reference</b>
FCCDH7101100	C10n/400V	C101
FCCDH7101100	C10n/400V	C102
FCCIO1239000	Printed Board 11.1239	C1101
FCREG1016000	Board Connector Male 2p	J101
FCREG1017000	Board Connector Male 3p	J102
FCREG1016000	Board Connector Male 2p	J103
FCREG1017000	Board Connector Male 3p	J104
FCTERM100000	Faston 6.3mm	J105
FCTERM100000	Faston 6.3mm	J106
FCTERM100000	Faston 6.3mm	J107
FCTERM100000	Faston 6.3mm	J108
FCTERM100000	Faston 6.3mm	J109
FCTERM100000	Faston 6.3mm	J110
FCTERM100000	Faston 6.3mm	J111
FCTERM100000	Faston 6.3mm	J112
FCTERM100000	Faston 6.3mm	J113
FCTERM100000	Faston 6.3mm	J114
FCRP52150000	150 / 1	R101
FCRP52150000	150 / 1	R102

DETAIL





Nº	Qty.	Code	Description
1	1	FCPINZAM1100	FASTENING FOR MOUNTING RAIL 50MM
2	3	FCSEP3080000	HEXAGONAL SPACER M3x8
3	3	FCT803005000	SCREW DIN 7985 M3x5 COMBI
4	14	FCT803005500	SCREW DIN965 M3x5 BLACK
5	2	FCT850410800	SCREW M4x8 TRILOB B
6	2	FCTAPEMBAMPK	ECLER PLASTIC CAP
7	2	FCTFDLA0800	AUTO TRANSFORMER 70V-100V
8	1	FP0313700000	MAIN PANEL DLAPACK270
9	1	FP0313800000	REAR PANEL DLAPACK270
10	1	FP0315000000	FIXING PLATE FOR FASTENING SYSTEM
11	2	GENERIC	RUBBER DISC
12	2	GENERIC	TRANSFORMER SCREW M6X40
13	2	GENERIC	TRANSFORMER WASHER

Nº	Qty.	Code	Description
1	1	FCBOL0010000	PLASTIC SLEEVE 60x80
2	1	FCBOLS010000	PACKING BAG 43x60
3	1	FCCAJSTA3600	PACKING CARDBOARD BOX
4	2	FCCANT115550	PACKING PROTECTION FOAM
5	1	FCETI0951140	PRODUCT LABEL PACK (ONE FOR EACH UNIT)
6	1	FCFUNMAN0000	USER DOCUMENTATION PLASTIC BAG
7	1	FCMANAMPACK1	USER MANUAL AMPACK SERIES
8	2	FCREG1006000	CONNECTING TERMINAL STRIPS 2C
9	2	FCREG1007000	CONNECTING TERMINAL STRIPS 3C
10	1	FCTARJG00000	WARRANTY CARD

