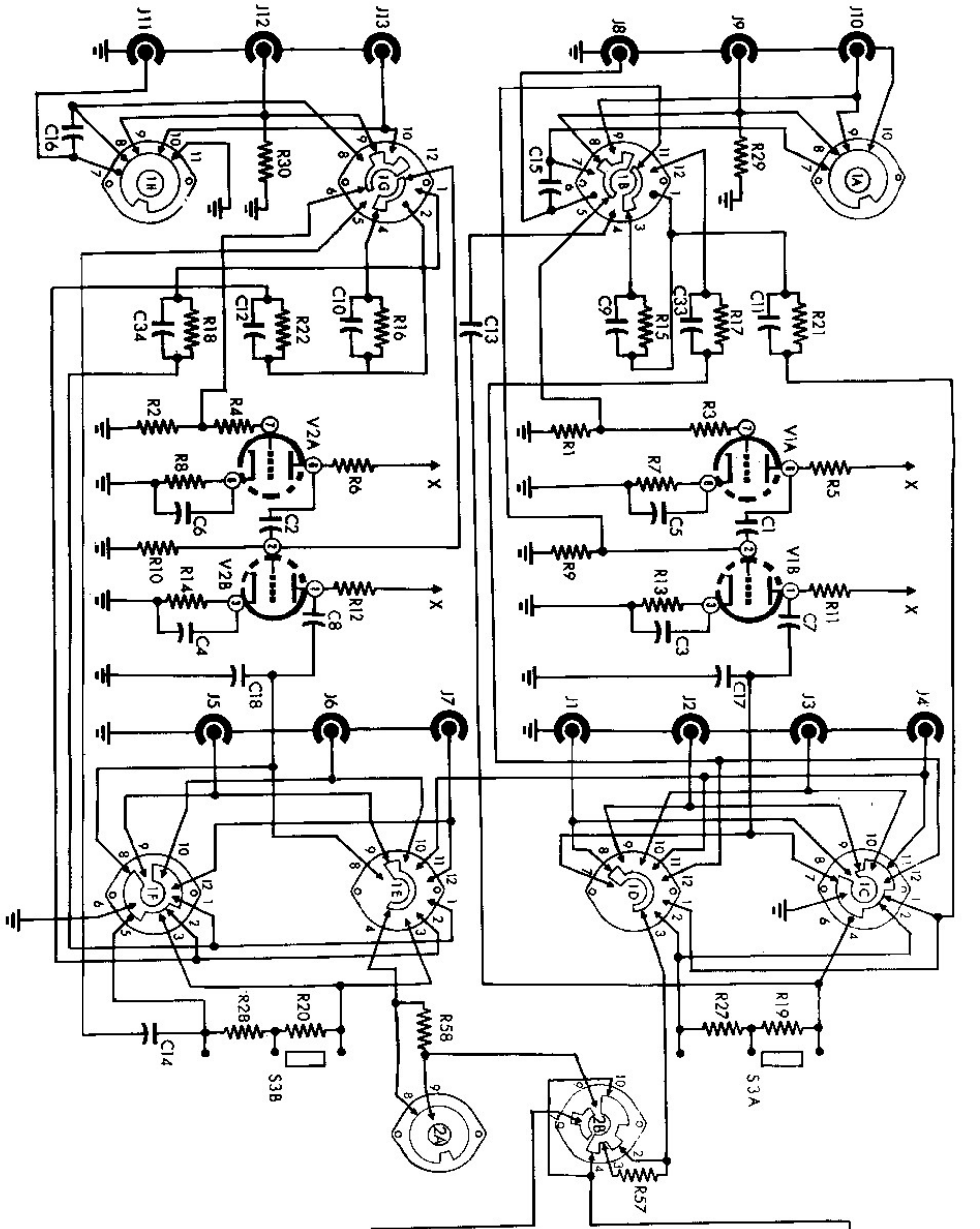




MODEL HF-85 STEREOPHONIC PREAMPLIFIER



Item	Description	Item	Description	Item	Description	Item	Description	Item	Description
C1	cap., paper, .25 mfd.-300V	C27	cap., allec., .90-.40-.40 mfd. @ 400-350-350V	J15	output, TAPE OUT-1	R20	res., 400Ω, 1/2W, 410%	S1	switch, linear
C2	cap., paper, .25 mfd.-300V	C28	cap., allec., .02 mfd.-400V	J16	output, TAPE OUT-2	R21	res., 2.2KΩ, 1/2W, 410%	S2	switch, 500KΩ, 1/2W, 410%
C3	cap., allec., 10 mfd.-6V	C29	cap., allec., .02 mfd.-400V	J17	output, PREAMP-1	R22	res., 2.2KΩ, 1/2W, 410%	S3	switch, 500KΩ, 1/2W, 410%
C4	cap., allec., 10 mfd.-6V	C30	cap., allec., .02 mfd.-400V	J18	output, PREAMP-2	R23	res., 100Ω, 1/2W, 410%	S4	switch, 100KΩ, 1/2W, 410%
C5	cap., allec., .25 mfd.-6V	C31	cap., allec., .02 mfd.-400V	J19	output, PREAMP-3	R24	res., 100Ω, 1/2W, 410%	S5	switch, 100KΩ, 1/2W, 410%
C6	cap., allec., .25 mfd.-6V	C32	cap., allec., .02 mfd.-400V	J20	output, PREAMP-4	R25	res., 100Ω, 1/2W, 410%	S6	switch, 100KΩ, 1/2W, 410%
C7	cap., allec., .25 mfd.-6V	C33	cap., allec., .02 mfd.-400V	J21	output, PREAMP-5	R26	res., 100Ω, 1/2W, 410%	S7	switch, 100KΩ, 1/2W, 410%
C8	cap., allec., .02 mfd.-400V	C34	cap., allec., .02 mfd.-400V	J22	output, PREAMP-6	R27	res., 100Ω, 1/2W, 410%	S8	switch, 100KΩ, 1/2W, 410%
C9	cap., allec., .02 mfd.-400V	C35	cap., allec., .02 mfd.-400V	J23	output, PREAMP-7	R28	res., 100Ω, 1/2W, 410%	S9	switch, 100KΩ, 1/2W, 410%
C10	cap., allec., .02 mfd.-400V	C36	cap., allec., .02 mfd.-400V	J24	output, PREAMP-8	R29	res., 100Ω, 1/2W, 410%	S10	switch, 100KΩ, 1/2W, 410%
C11	cap., allec., .02 mfd.-400V			J25	output, PREAMP-9	R30	res., 100Ω, 1/2W, 410%	S11	switch, 100KΩ, 1/2W, 410%
C12	cap., allec., .02 mfd.-400V			J26	output, PREAMP-10	R31	res., 100Ω, 1/2W, 410%	S12	switch, 100KΩ, 1/2W, 410%
C13	cap., allec., .02 mfd.-400V			J27	output, PREAMP-11	R32	res., 100Ω, 1/2W, 410%	S13	switch, 100KΩ, 1/2W, 410%
C14	cap., allec., .02 mfd.-400V			J28	output, PREAMP-12	R33	res., 100Ω, 1/2W, 410%	S14	switch, 100KΩ, 1/2W, 410%
C15	cap., allec., .02 mfd.-400V			J29	output, PREAMP-13	R34	res., 100Ω, 1/2W, 410%	S15	switch, 100KΩ, 1/2W, 410%
C16	cap., allec., .02 mfd.-400V			J30	output, PREAMP-14	R35	res., 100Ω, 1/2W, 410%	S16	switch, 100KΩ, 1/2W, 410%
C17	cap., allec., .02 mfd.-400V			J31	output, PREAMP-15	R36	res., 100Ω, 1/2W, 410%	S17	switch, 100KΩ, 1/2W, 410%
C18	cap., allec., .02 mfd.-400V			J32	output, PREAMP-16	R37	res., 100Ω, 1/2W, 410%	S18	switch, 100KΩ, 1/2W, 410%
C19	cap., allec., .02 mfd.-400V			J33	output, PREAMP-17	R38	res., 100Ω, 1/2W, 410%	S19	switch, 100KΩ, 1/2W, 410%
C20	cap., allec., .02 mfd.-400V			J34	output, PREAMP-18	R39	res., 100Ω, 1/2W, 410%	S20	switch, 100KΩ, 1/2W, 410%
C21	cap., allec., .02 mfd.-400V			J35	output, PREAMP-19	R40	res., 100Ω, 1/2W, 410%	S21	switch, 100KΩ, 1/2W, 410%
C22	cap., allec., .02 mfd.-400V			J36	output, PREAMP-20	R41	res., 100Ω, 1/2W, 410%	S22	switch, 100KΩ, 1/2W, 410%
C23	cap., allec., .02 mfd.-400V			J37	output, PREAMP-21	R42	res., 100Ω, 1/2W, 410%	S23	switch, 100KΩ, 1/2W, 410%
C24	cap., allec., .02 mfd.-400V			J38	output, PREAMP-22	R43	res., 100Ω, 1/2W, 410%	S24	switch, 100KΩ, 1/2W, 410%
C25	cap., allec., .02 mfd.-400V			J39	output, PREAMP-23	R44	res., 100Ω, 1/2W, 410%	S25	switch, 100KΩ, 1/2W, 410%
C26	cap., allec., .02 mfd.-400V			J40	output, PREAMP-24	R45	res., 100Ω, 1/2W, 410%	S26	switch, 100KΩ, 1/2W, 410%
C27	cap., allec., .02 mfd.-400V			J41	output, PREAMP-25	R46	res., 100Ω, 1/2W, 410%	S27	switch, 100KΩ, 1/2W, 410%
C28	cap., allec., .02 mfd.-400V			J42	output, PREAMP-26	R47	res., 100Ω, 1/2W, 410%	S28	switch, 100KΩ, 1/2W, 410%
C29	cap., allec., .02 mfd.-400V			J43	output, PREAMP-27	R48	res., 100Ω, 1/2W, 410%	S29	switch, 100KΩ, 1/2W, 410%
C30	cap., allec., .02 mfd.-400V			J44	output, PREAMP-28	R49	res., 100Ω, 1/2W, 410%	S30	switch, 100KΩ, 1/2W, 410%
C31	cap., allec., .02 mfd.-400V			J45	output, PREAMP-29	R50	res., 100Ω, 1/2W, 410%	S31	switch, 100KΩ, 1/2W, 410%
C32	cap., allec., .02 mfd.-400V			J46	output, PREAMP-30	R51	res., 100Ω, 1/2W, 410%	S32	switch, 100KΩ, 1/2W, 410%
C33	cap., allec., .02 mfd.-400V			J47	output, PREAMP-31	R52	res., 100Ω, 1/2W, 410%	S33	switch, 100KΩ, 1/2W, 410%
C34	cap., allec., .02 mfd.-400V			J48	output, PREAMP-32	R53	res., 100Ω, 1/2W, 410%	S34	switch, 100KΩ, 1/2W, 410%
C35	cap., allec., .02 mfd.-400V			J49	output, PREAMP-33	R54	res., 100Ω, 1/2W, 410%	S35	switch, 100KΩ, 1/2W, 410%
C36	cap., allec., .02 mfd.-400V			J50	output, PREAMP-34	R55	res., 100Ω, 1/2W, 410%	S36	switch, 100KΩ, 1/2W, 410%

