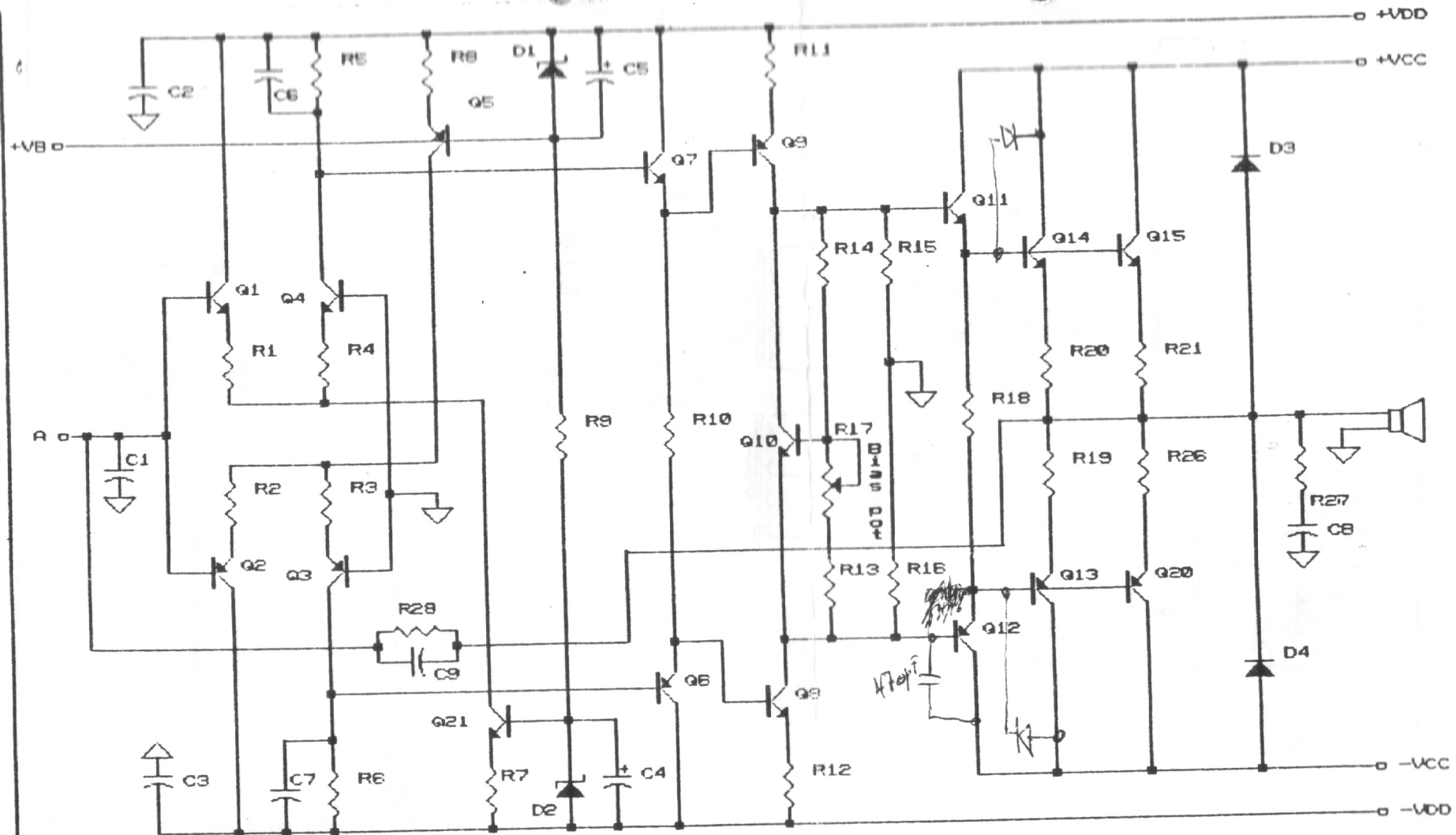


- R1 1K
- R2 1K2
- R3 200R
- R4 1K2
- R5 3K9
- R6 3K9
- R7 1K8
- R8 33K
- R9 82K
- R10 1K
- R11 82K
- R12 82K
- R13 470R
- R14 470R
- R15 2K15
- R16 2K15
- R17 390R
- R18 390R

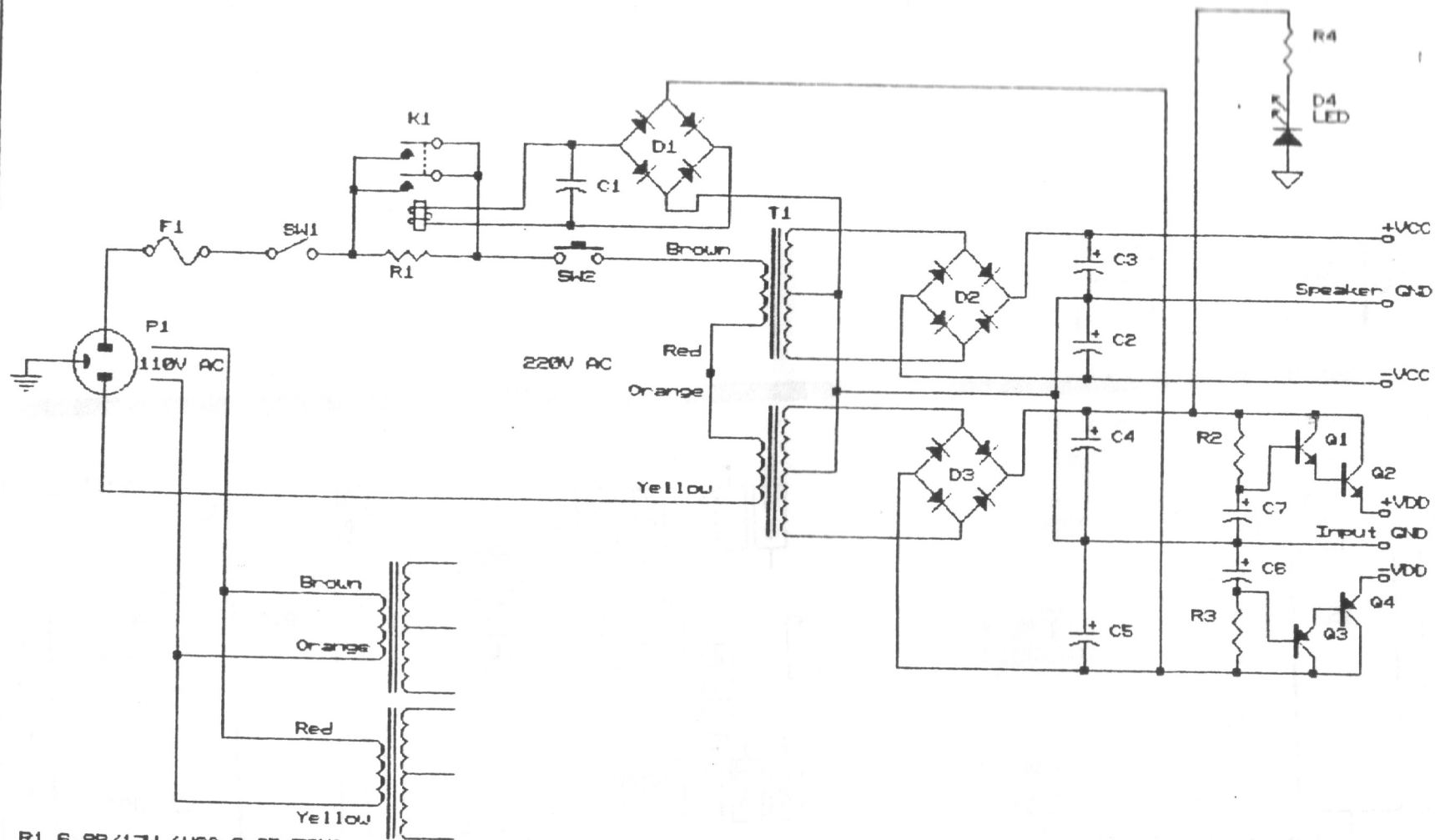
- C1 0.1uF
- C2 0.1uF
- C3 220uF
- Q1 2SB 821
- Q2 2SB 821
- Q3 2SA 1038
- Q4 2SA 1038
- Q5 2SA 1038
- Q6 2SA 1038
- Q7 2SA 1038
- Q8 2SC 2824
- Q9 2SC 2824
- Q10 2SA 1184
- Q11 2SA 1184

Electrocompaniet A.S NORWAY		
Amplifier 65		
Title		
Inputstage Right channel		
Size	Document Number	REV
A	861209/1	
Date: December 12, 1986 Sheet 1 of 3		



R1	220R	R16	2K15	C1	1000pF	Q1	2SC 2389	Q20	2SA 1141
R2	220R	R17	1K	C2	0.1uF	Q2	2SA 1038	Q21	EDC 01D
R3	220R	R18	18R/2W	C3	0.1uF	Q3	2SA 1038		
R4	220R	R19	0.2R/3W	C4	100uF/10V	Q4	2SC 2389		
R5	1K5	R20	0.2R/3W	C5	100uF/10V	Q5	EDC 02D		
R6	1K5	R21	0.2R/3W	C6	220pF	Q6	2SA 1038		
R7	750R	R22	0.2R/3W	C7	NC	Q7	2SC 2389		
R8	750R	R23	1R/3W	C8	0.1uF	Q8	2SC 2824		
R9	47K			C9	220pF	Q9	2SC 2824		
R10	47K					Q10	2SC 2824		
R11	220R	D1	EZX 79	C10		Q11	2SC 2824		
R12	220R	D2	EZX 79	C10		Q12	2SA 1184		
R13	470R	D3	1N 4002			Q13	2SA 1141		
R14	1K2	D4	1N 4002			Q14	2SC 2681		
R15	2K15					Q15	2SC 2681		

Electrocompaniet A.S NORWAY	
Amplivire 65	
Title	
Outputstage Right channel	
Size	Document Number
A	861209/2
Date:	December 12, 1986
Sheet	2 of 3
REV	



R1 6.8R/17W (USA 6.8R/50W)
 R2 47K
 R3 47K
 R4 22K (only on Right channel)
 C1 2.2uF
 C2 10.000 uF/40V
 C3 10.000 uF/40V
 C4 1000 uF/63V
 C5 1000 uF/63V
 C6 22 uF/63V
 C7 22 uF/63V

D1 2KBP02
 D2 KEPC 25-02
 D3 4x1N4002
 D4 LED Red
 Q1 MPS A14
 Q2 BDC 01D
 Q3 MPS A64
 Q4 BDC 02D
 F1 2.5AF (USA 3.15AF)
 SW1 On/Off SJ4961 01
 SW2 Thermalbreaker E0 C
 T1 2625A
 P1 AC Inlet

Electrocompniet A.S NORWAY

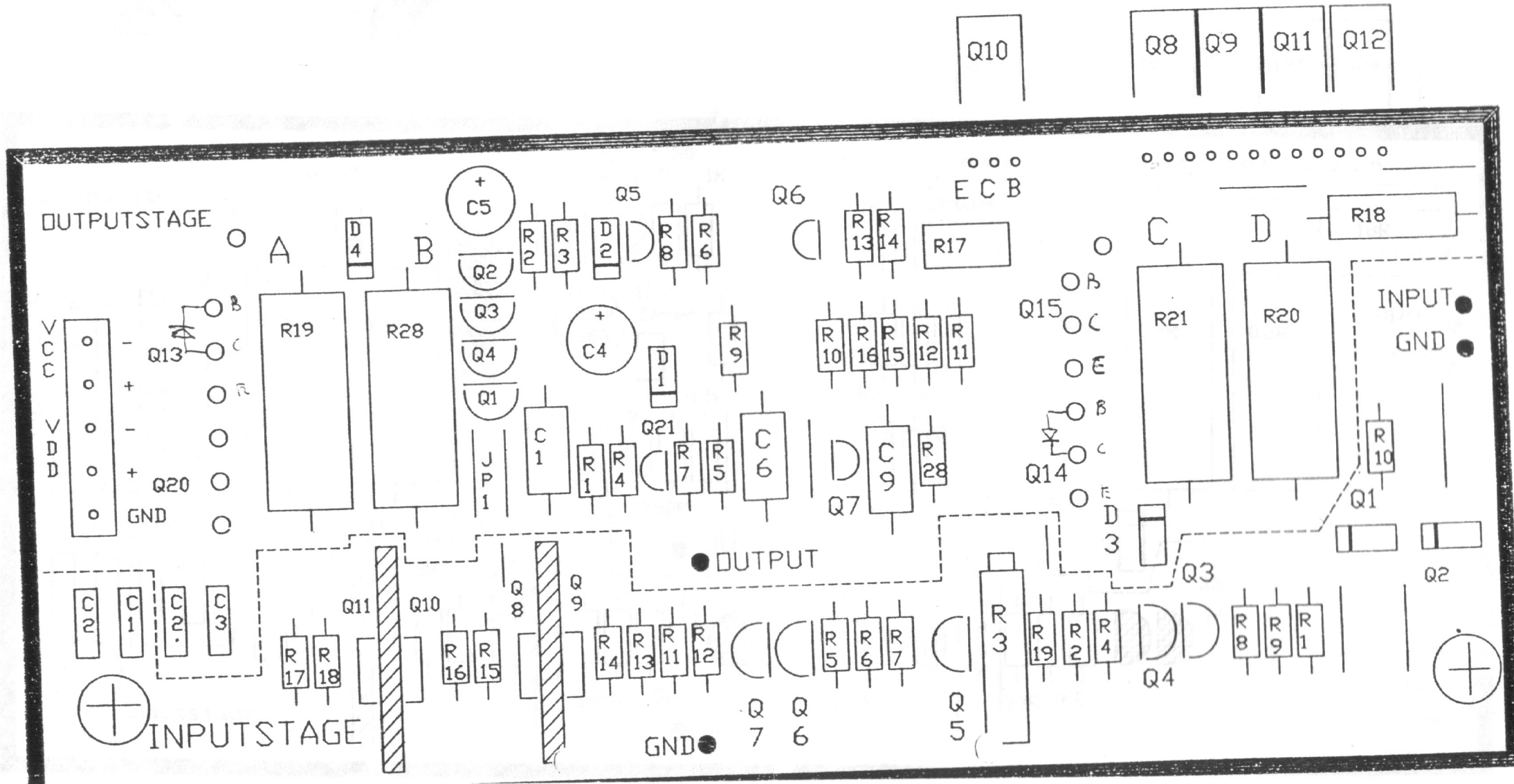
Amplifire EE

Title		REV
Powersupply + Slow-start Right channel		
Size	Document Number	REV
A	861209/3	
Date:	December 12, 1986	Sheet 3 of 3

awl

Electrocompaniet AW 100/65

470 pF



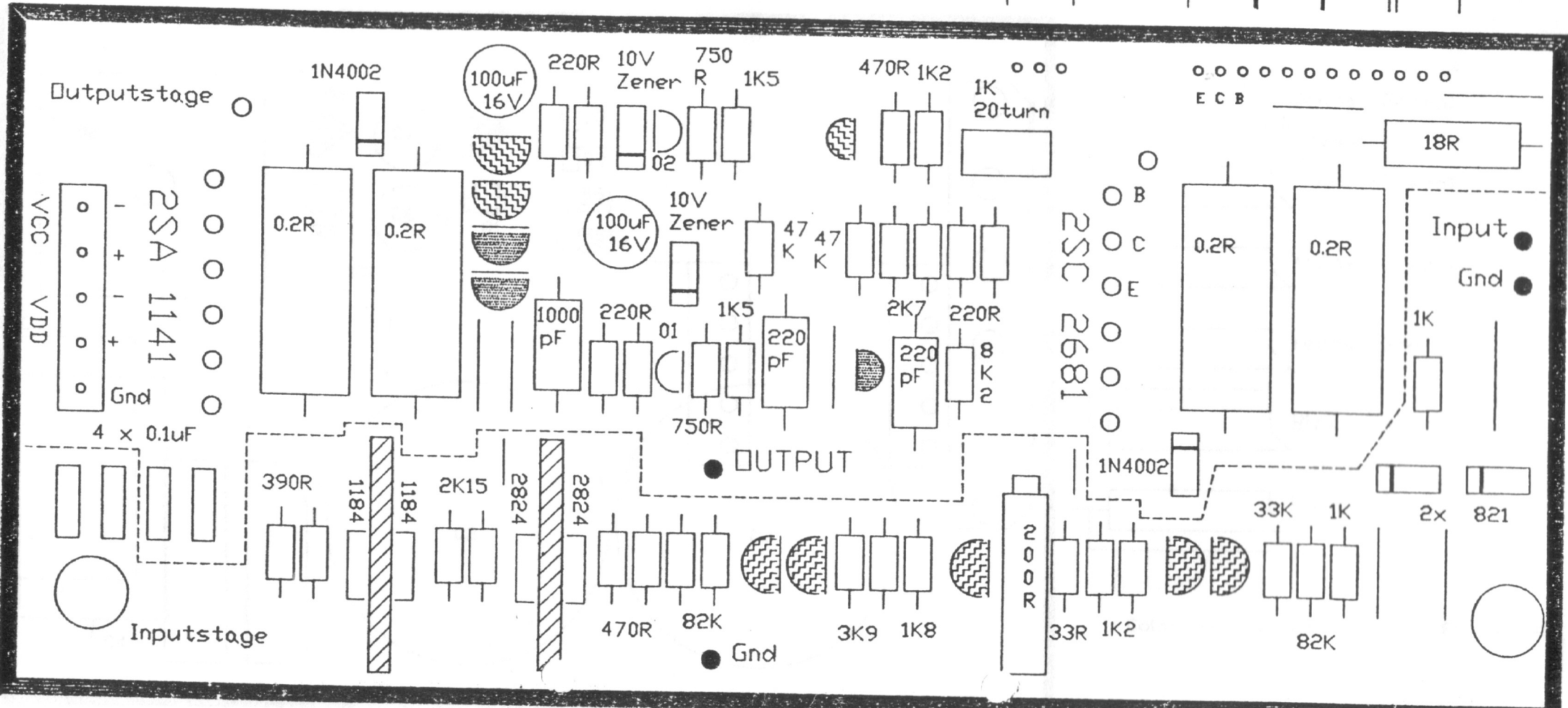
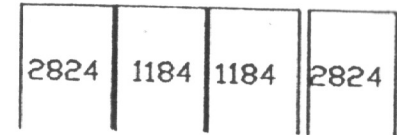
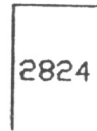
aw1

Electrocompaniet AW 100/65

2SA 1038

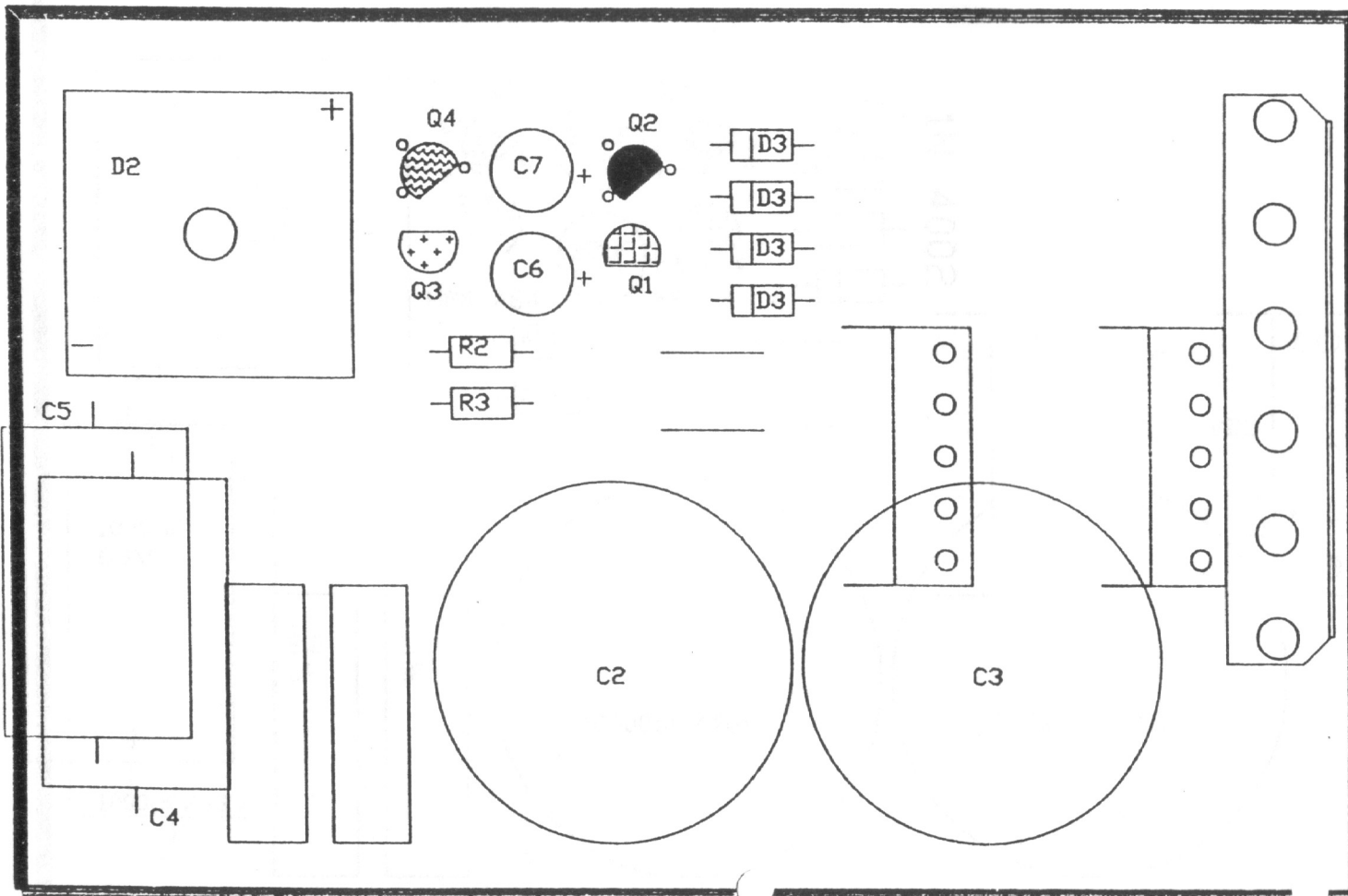


2SC 2389



Electrocompaniet

PS200 L Powersupply Left AW 100/65

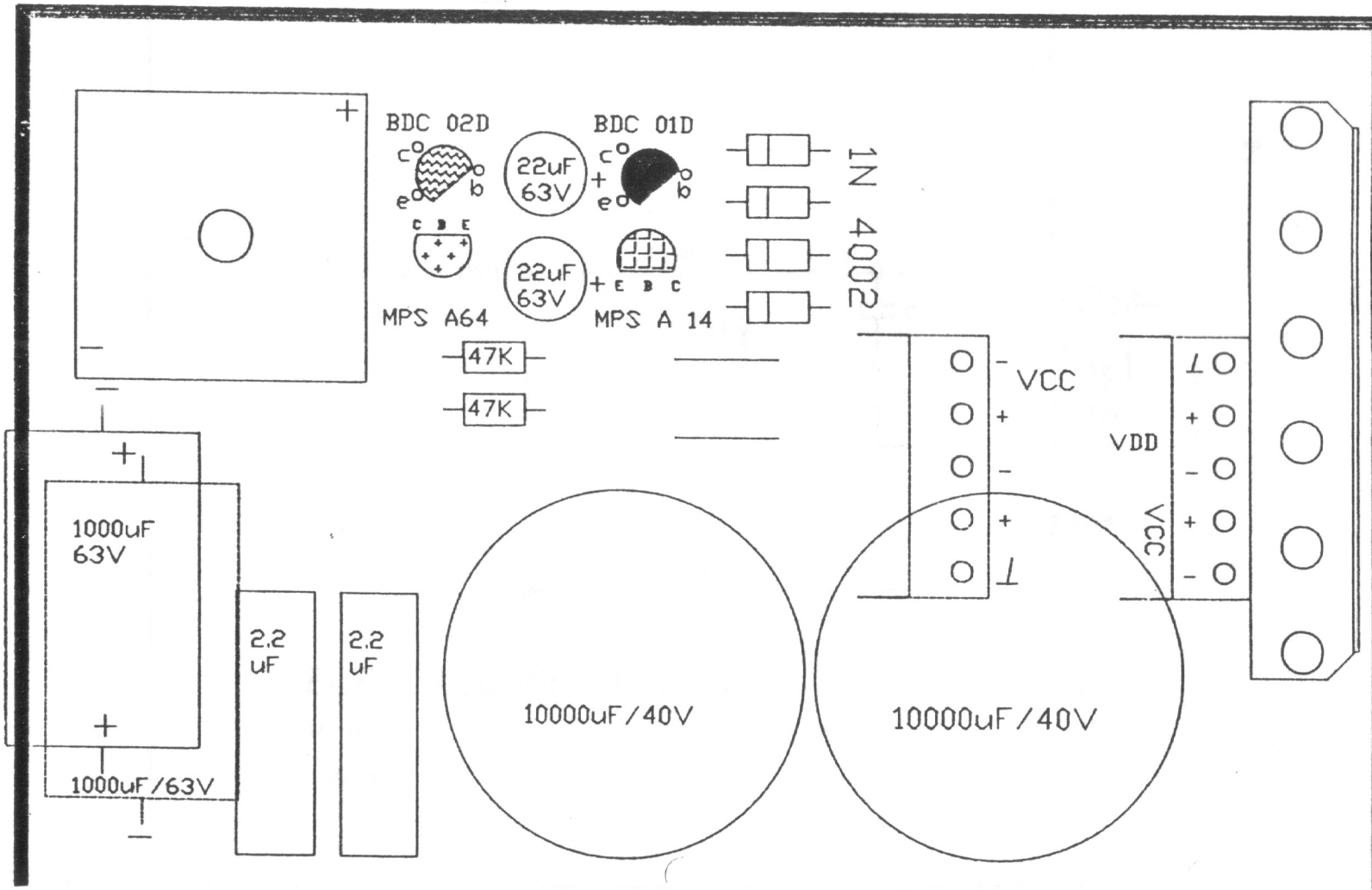


- Yellow (Green)
Thick
- Yellow (Green)
- Yellow (Green)
Thin
- Yellow (Green)
- Black/Black
Thick/Thin
- Black/Black

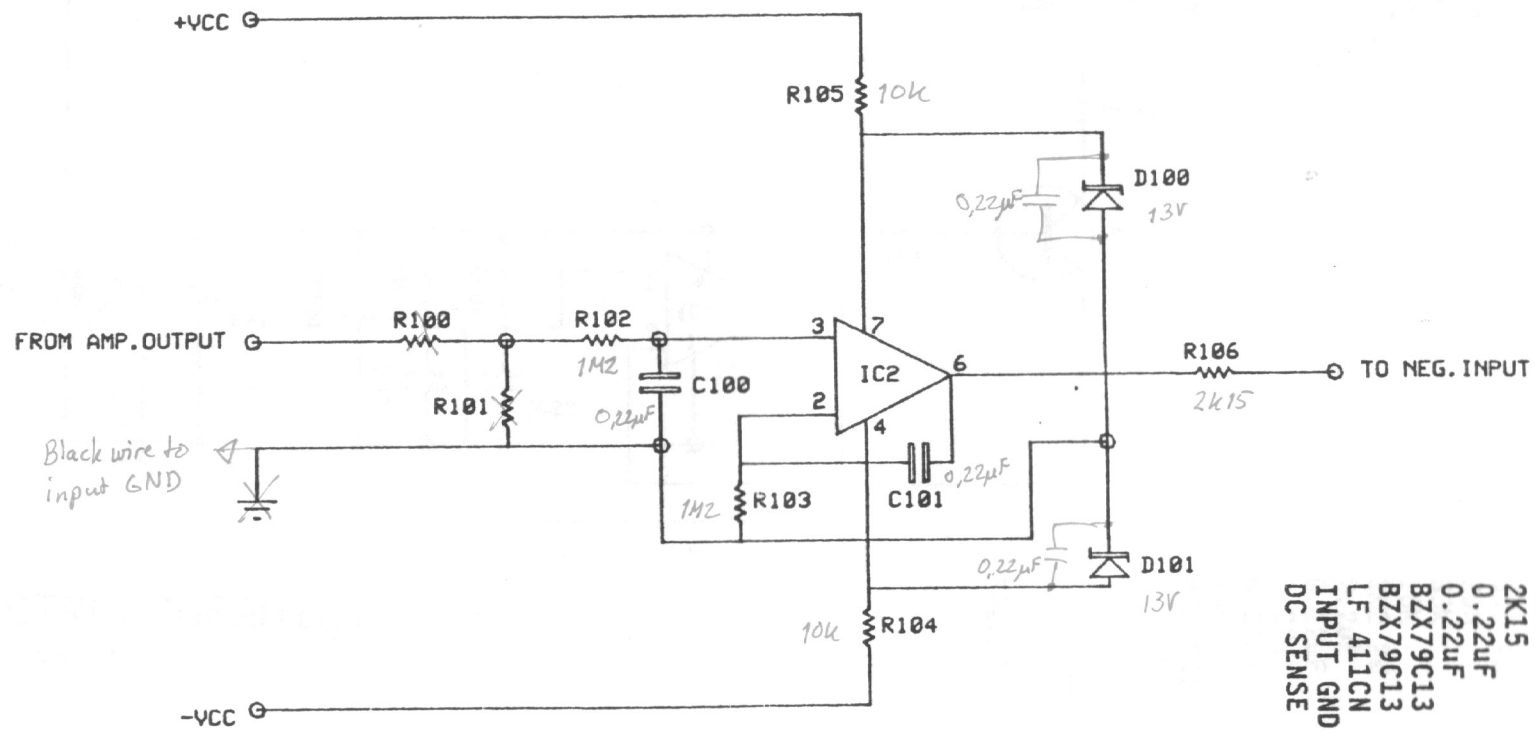
Color given in brackets are for AW 65

Electrocompaniet

PS200 L Powersupply Left AW 100/65



P7 } AC
 P8 }
 PS - + terminal
 P6 - + output
 P9 -
 P12 - GND

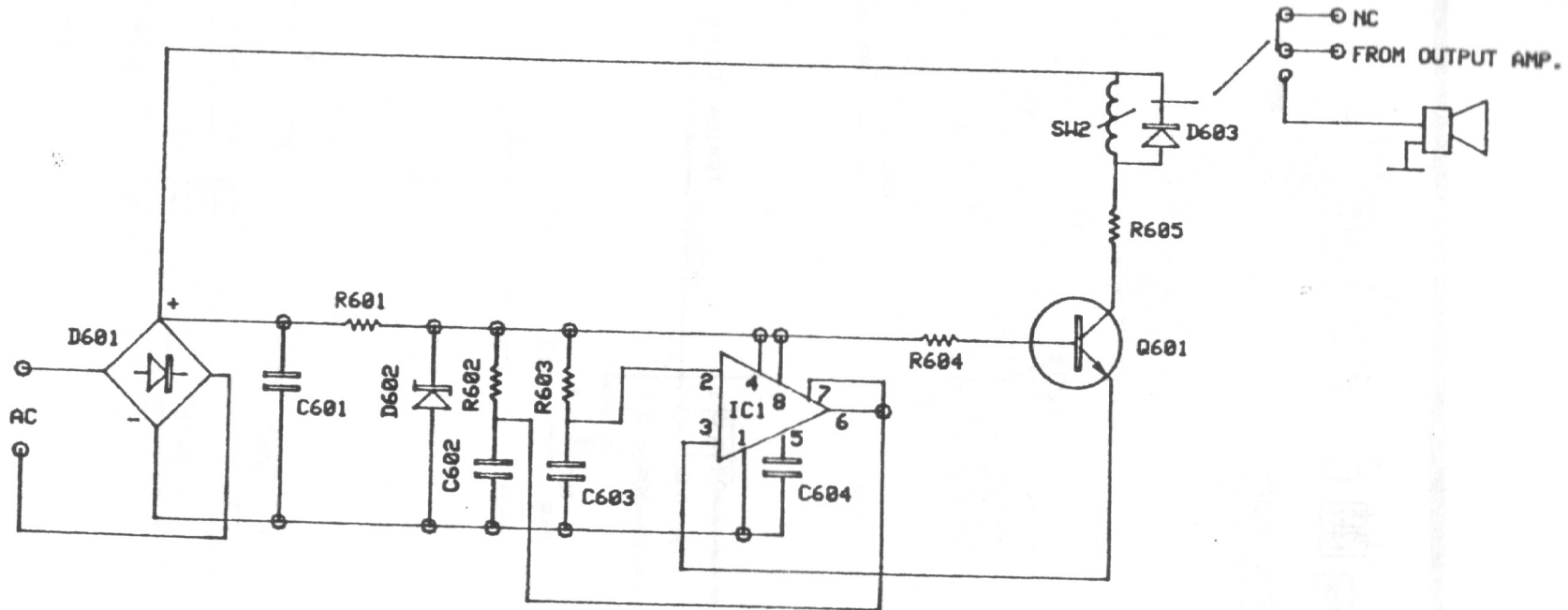


1M2	AW100	R172	R102
1M2		R173	R103
10K		R174	R104
10K		R175	R105
2K15		R176	R106
0.22uF		C117	C100
0.22uF		C118	C101
BZX79C13		D108	D100
BZX79C13		D109	D101
LF 411CN		IC2	IC2
INPUT GND.		P7	P12
DC SENSE			P9

ELECTROCOMPANIET A.S

DC-SERVO

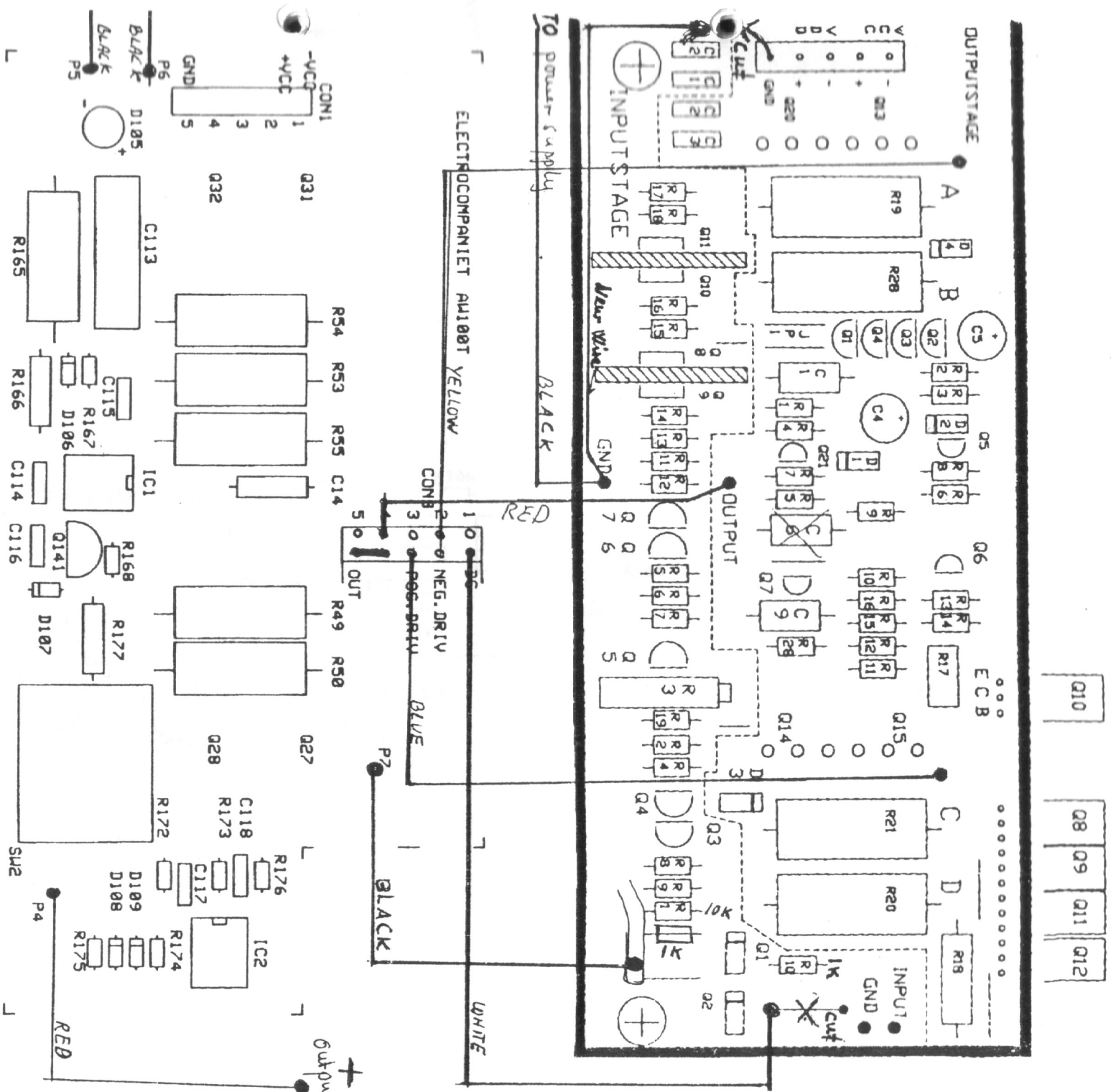
130587



ELECTROCOMPANIET A.S
 DELAY - CIRCUIT
 120587

AW 100	AW 65	
3K9 4M	R165	R601
20M	R166	R602
33K	R167	R603
10K	R168	R604
2K2 2W	R177	R605
2.2uF	C113	C601
0.22uF	C114	C602
0.22uF	C115	C603
0.22uF	C116	C604
W04	D105	D601
BZX79C13	D106	D602
1N 4002	D107	D603
2SC 2389	Q141	Q601
1455	IC1	IC1
RELE3-001	SW2	SW2
AC OUTPUT	P5/P6	P7/P8
SPEAKER	P4	P5

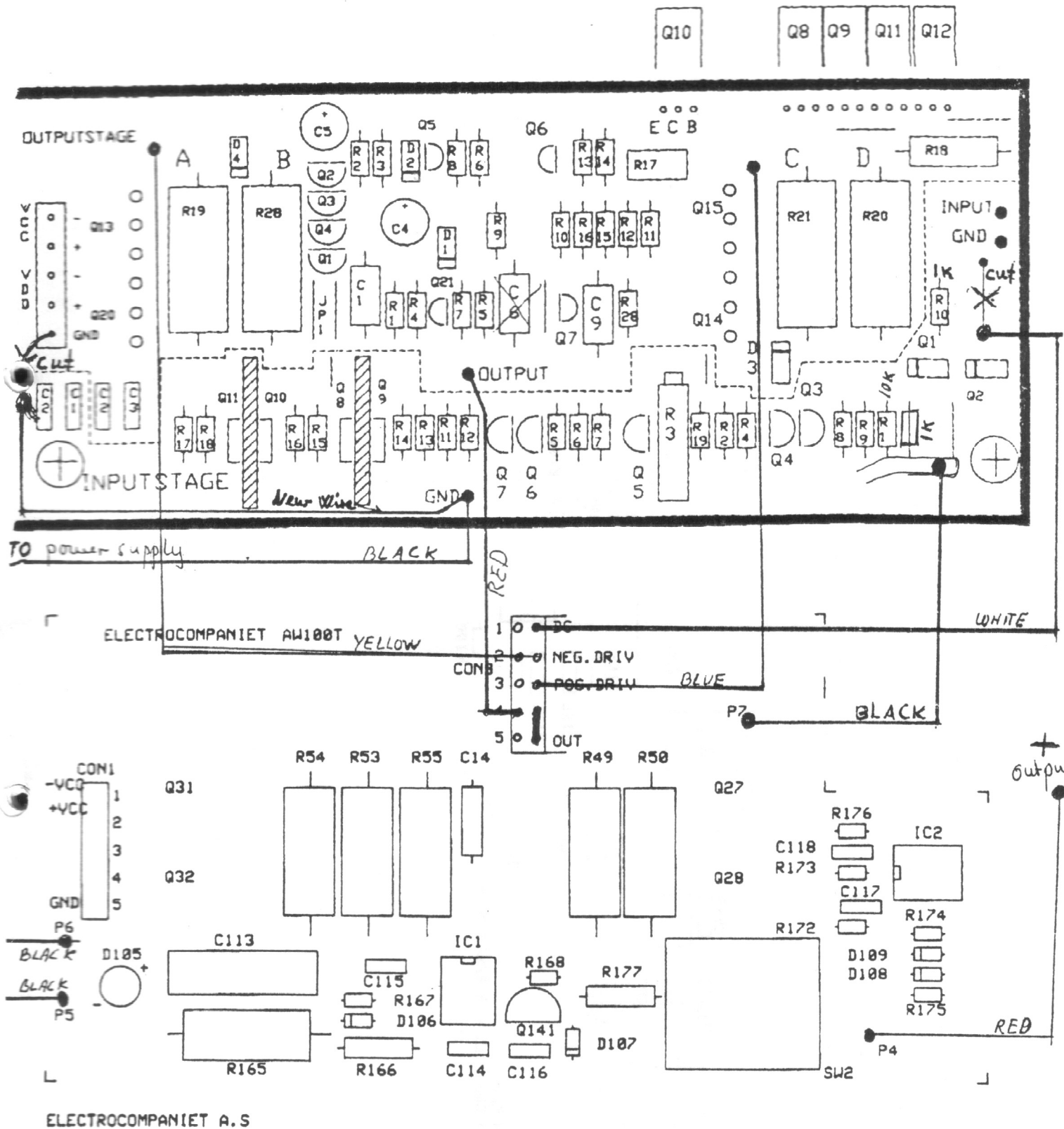
If new wire from Gnd to capacitor C2 is connected, then remove C6.
 Else leave it in.



ELECTROCOMPANIET A.S

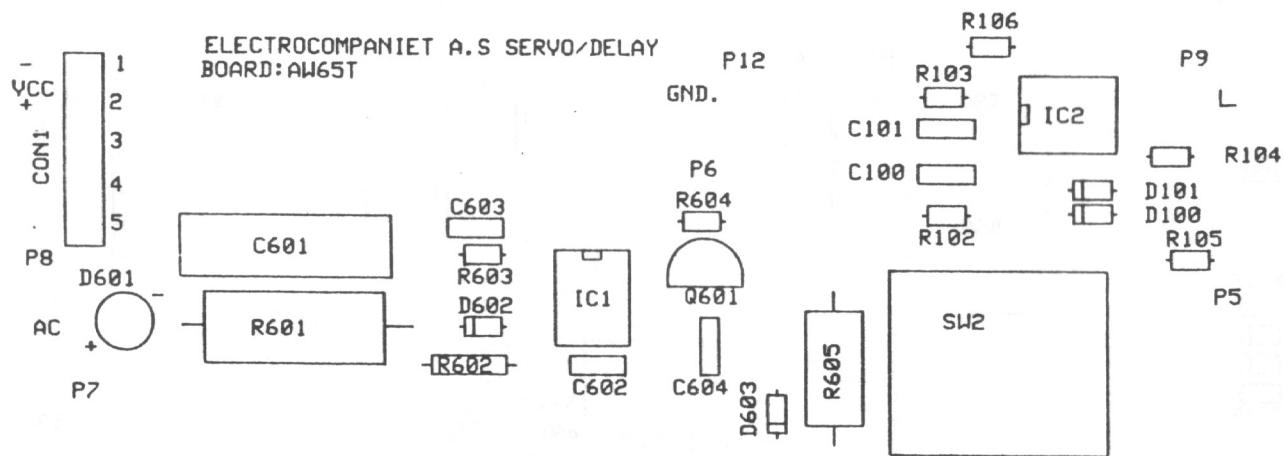
Connect P5 and P6 across the upper 2 wires from the transformer.
 Thick yellow wire on AW 100. Thick green wire on AW 65.

If new wire from Gnd to capacitor C2 is connected, then remove C6.
Else leave it in.

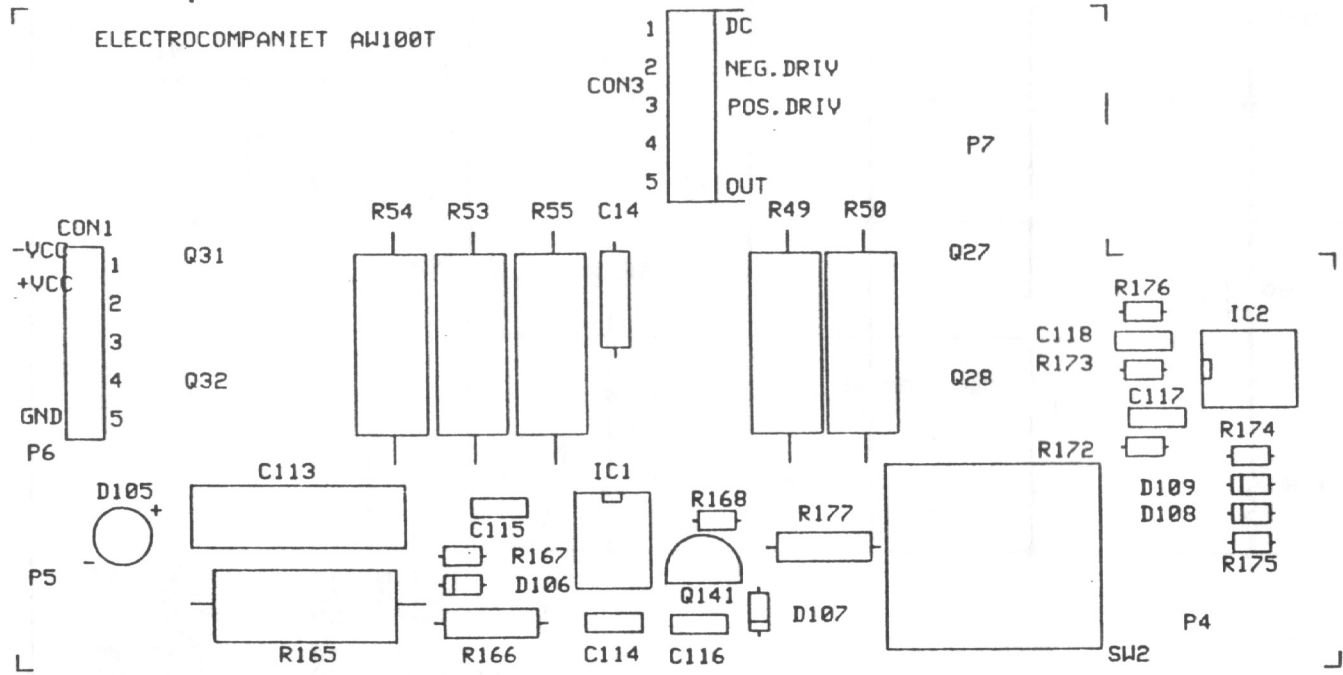


Connect P5 and P6 across the upper 2 wires from the transformer.
Thick yellow wire on AW 100. Thick green wire on AW 65.

ELECTROCOMPANET A.S SERVO/DELAY
BOARD: AW65T



ELECTROCOMPANIET AW100T



ELECTROCOMPANIET A.S
AW100T
24.06.87