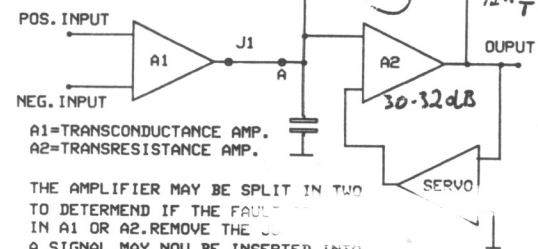


ELECTROCOMPANIET A.S  
 INPUT STAGE AW 75  
 CODE : 75-1  
 DATE : 11.01.90  
 BOARD : 75M / S75M

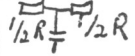
IN UNBALANCED MODE  
 A SHORTED RCA PLUG IS  
 CONNECTED TO  
 THE NEGATIVE INPUT

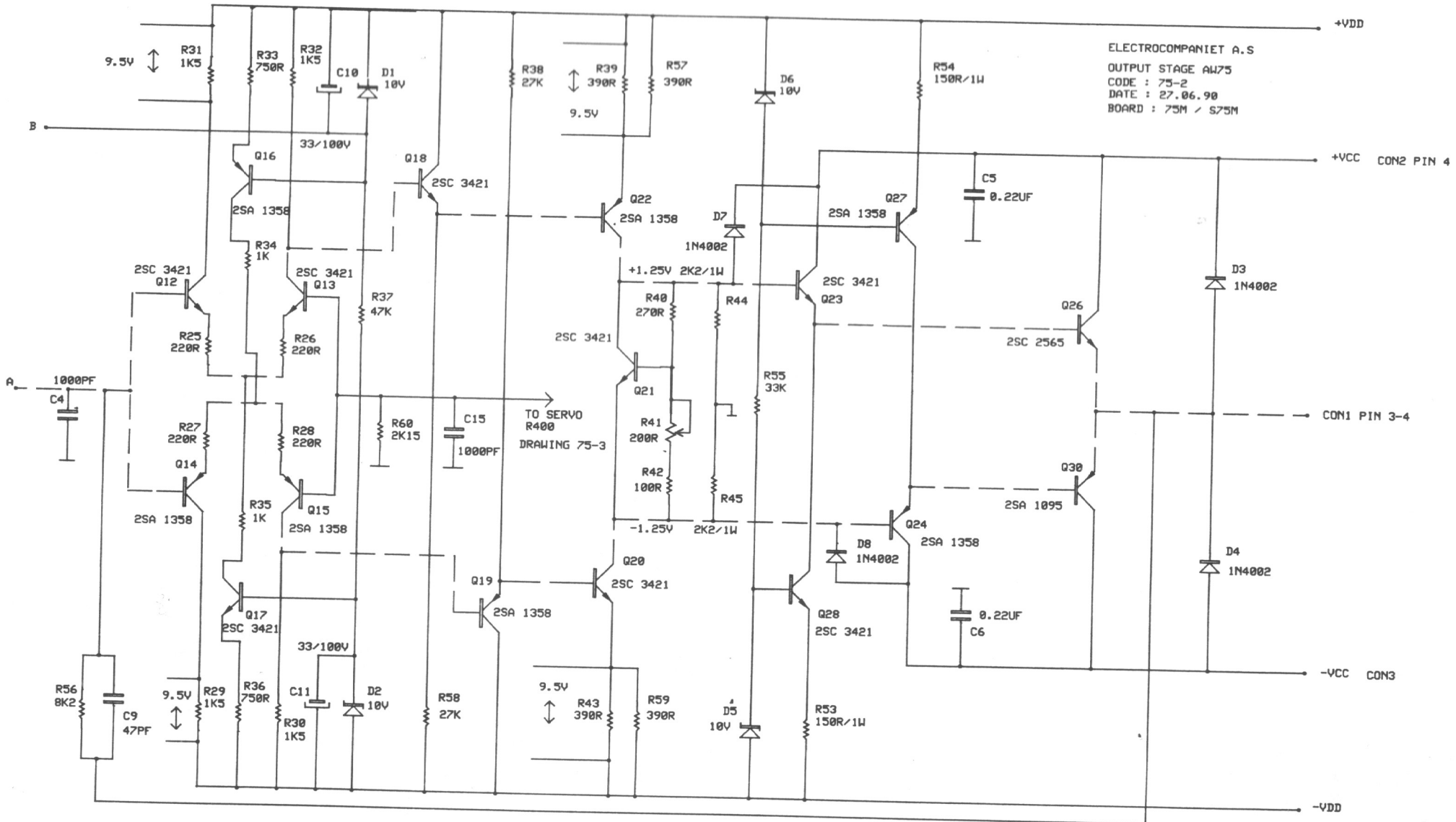
BLOCK SCHEMATIC



A1=TRANSCONDUCTANCE AMP.  
 A2=TRANSRESISTANCE AMP.  
 THE AMPLIFIER MAY BE SPLIT IN TWO  
 TO DETERMEND IF THE FAULT  
 IS IN A1 OR A2.REMOVE THE J1  
 IN A1 OR A2. A SIGNAL MAY NOW BE INSERTED INTO  
 TP A AND CHECKED ON THE OUTPUT.  
 IF THE FAULT IS IN A1,CONNECT A  
 4700 OHM FROM OUTPUT OF A1 TO GND  
 CONNECT A SIGNAL TO THE INPUT AND  
 MEASURE THE OUTPUT SIGNAL ACROSS  
 THE 4700 OHM RESISTOR.

*Kan fjernes ved  
 måling. el. byttes  
 ved*





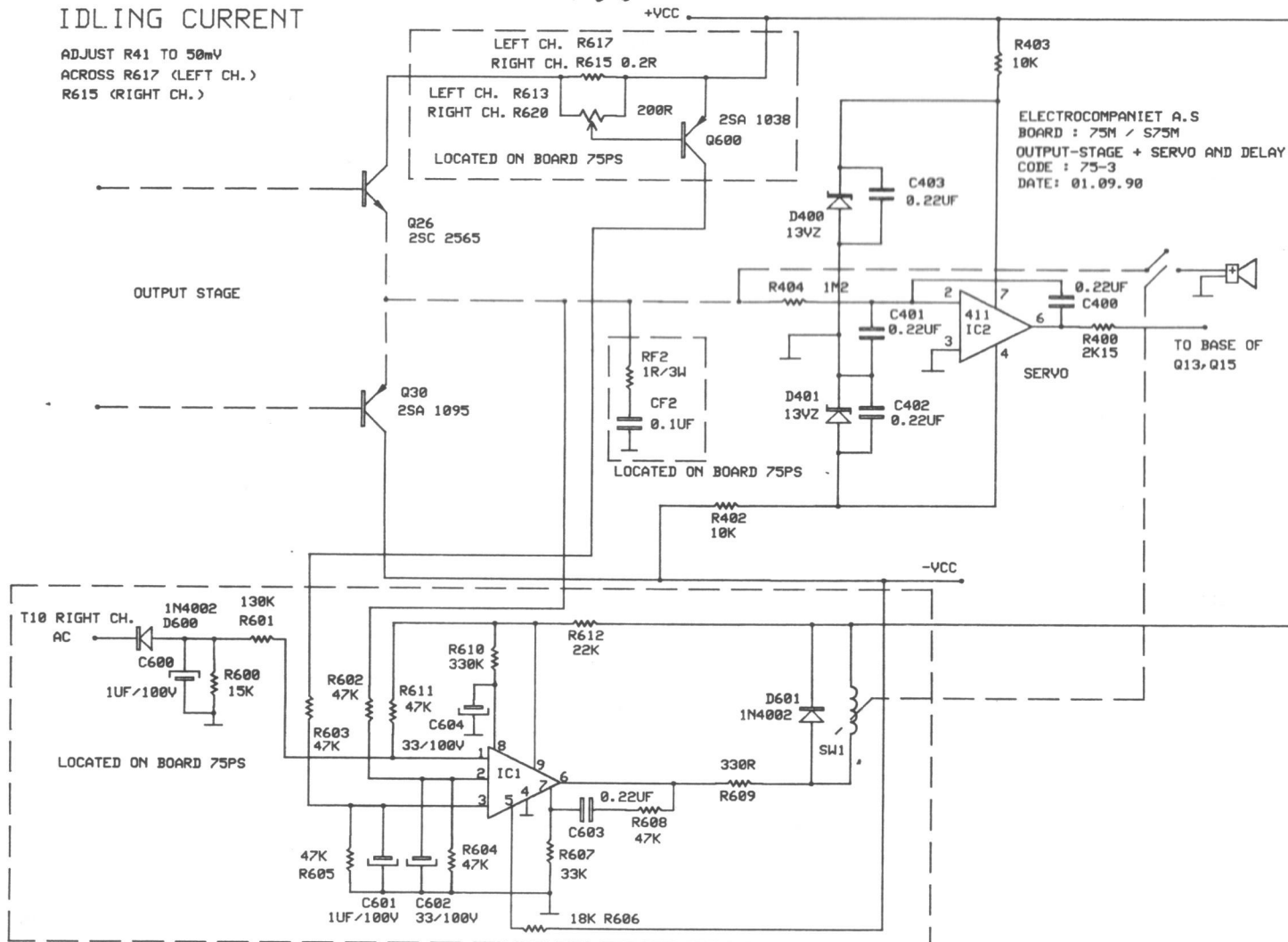
ELECTROCOMPANIEET A.S  
 OUTPUT STAGE AW75  
 CODE : 75-2  
 DATE : 27.06.90  
 BOARD : 75M / S75M

TO SERVO  
 R400  
 DRAWING 75-3

# IDLING CURRENT

ADJUST R41 TO 50mV  
ACROSS R617 (LEFT CH.)  
R615 (RIGHT CH.)

*Handwritten note:* 200R



ELECTROCOMPANET A.S  
BOARD : 75M / S75M  
OUTPUT-STAGE + SERVO AND DELAY  
CODE : 75-3  
DATE: 01.09.90

ELECTROCOMPANIET A.S  
 AJ 75 POWERSUPPLY  
 CODE : 75PS  
 DATE : 01.09.90  
 BOARD : 75PS

BOARD : 75PS (LEFT CH.)

