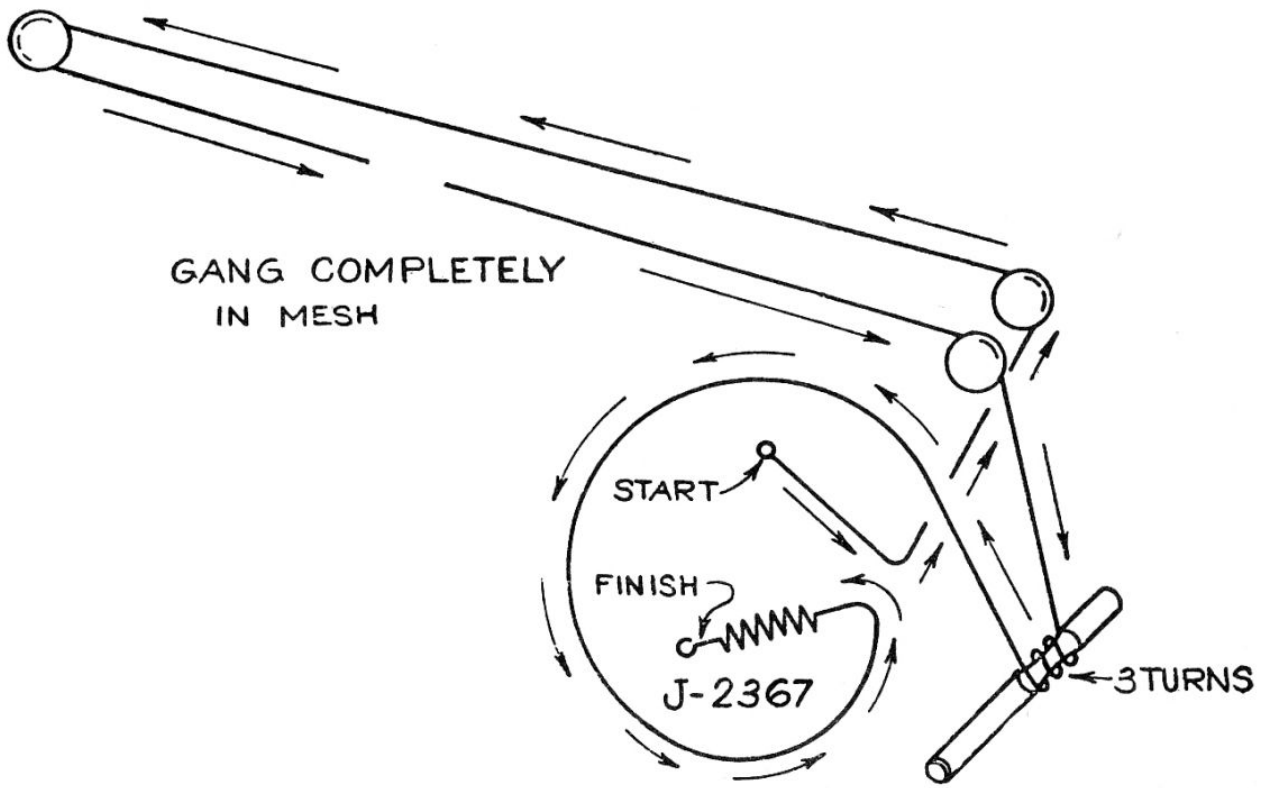


VIKING 49-33

(ELECTROHOME EMU51-418, EMU51-428)



ALIGNMENT—PROCEED IN SEQUENCE LISTED

Band	Dummy Antenna	Connect Generator To	Radio Dial Setting	Generator Frequency	Adjusted	Adjustment
1st I.F.	.05 Mfd.	Grid of 12SK 7 Tube	1650 K.C.	455 K.C.	2nd I.F. Top & Bot. Slug	Maximum Output
Convertor Grid	.05 Mfd.	Grid of 12SA7 Convertor	1650 K.C.	455 K.C.	1st I.F. Top & Bot. Slug	Maximum Output
B.C.	400 ohms	Ant.	1460 K.C.	1460 K.C.	B.C. Osc. C-7 B.C. Ant. C-2	Maximum Output
B.C.	400 ohms	Ant.	600 K.C.	600 K.C.		

