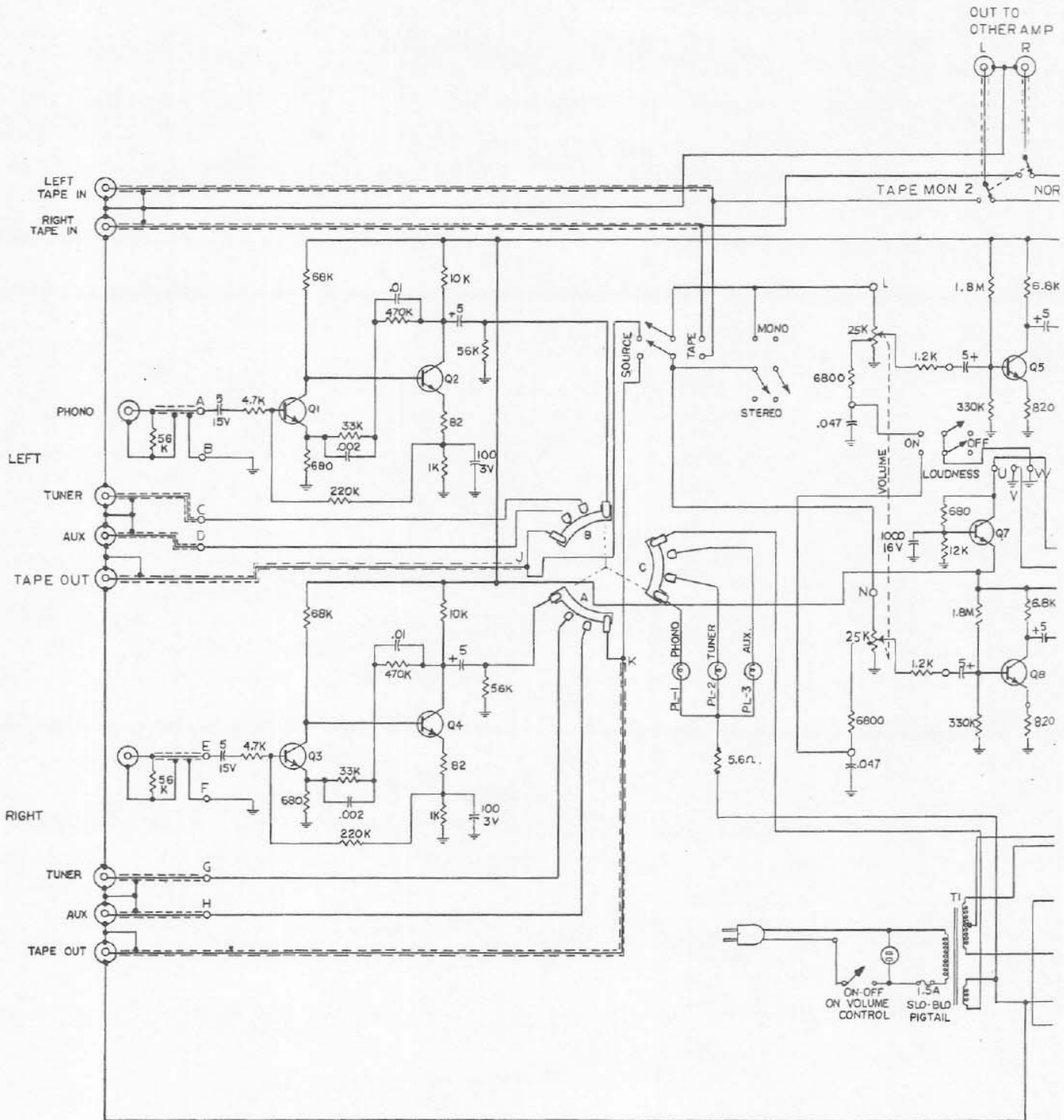
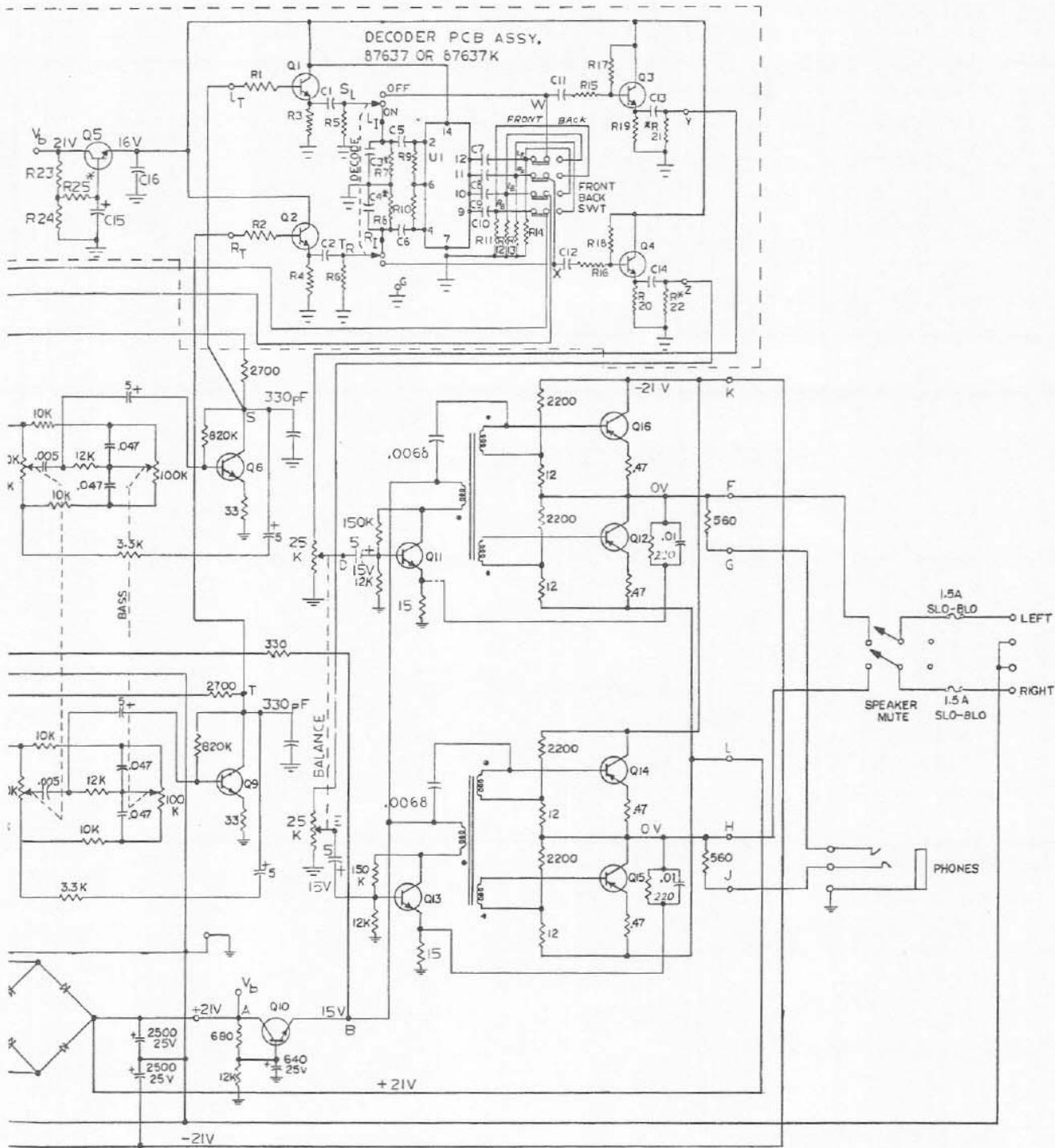


SCHEMATIC

E-V 1244X STEREO-4" AMPLIFIER





NOTES:

1. All resistor values are in ohms at 1/4 watt unless otherwise specified.
2. All capacitor values in μF unless otherwise specified.
3. Junction points refer to terminal pins on individual PCB assemblies.