

EV **Electro-Voice®**
EVT 52 SERIES II
STEREO MIXERS

SERVICE MANUAL

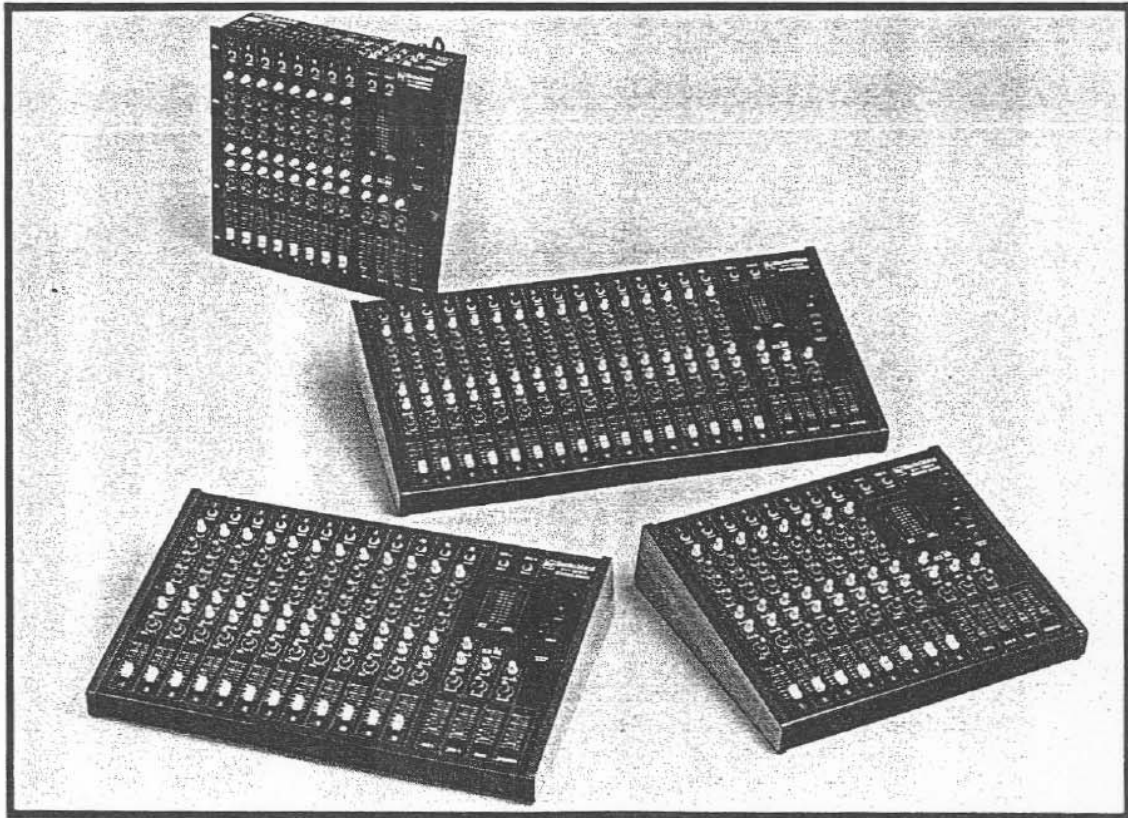


TABLE OF CONTENTS

	Page
Specifications	2
General Service Information	3
Signal Flow Diagram	3
Input Assembly	4
Input Assembly Parts List	4
Main/Monitor Assembly	5
Main/Monitor Assembly Parts List	5
Left Subassembly	6
Left Subassembly Parts List	6
Right Subassembly	7
Right Subassembly Parts List	7
Miscellaneous Parts List	8
Notes	9
Repair Parts/Warranty	10

GENERAL SPECIFICATIONS

FREQUENCY RESPONSE —

Mic Input to Any Output, EQ Flat, All Faders Nominal
20-20,000 Hz ± 1 dB

TOTAL HARMONIC DISTORTION —

<0.05% at +4 dBu, 20-20,000 Hz
<0.10% at +20 dBu, 20-20,000 Hz

NOISE —

(20-20,000 Hz with 150-ohm Input Impedance)
-128 dBu EIN-equivalent input noise, mic input¹
-90 dBu residual at main out (all faders down)
-90 dBu residual at monitor out

INPUT CHANNEL EQUALIZATION —

± 15 dB shelving at 100 Hz
 ± 12 dB peak/dip at 3 kHz
 ± 15 dB shelving at 10 kHz

MICROPHONE INPUTS —

Low impedance, balanced — pin 2 reference positive
Maximum input level: +6 dBu (1.5 V)
Input impedance at 1 kHz: 4.4 k Ω
Common Mode Rejection Ratio,
Typical: -65 dB
Minimum, 60-10,000 Hz: -50 dB

LINE INPUTS —

High impedance, balanced tip positive
Maximum input level: +24 dBu (12 V)
Input impedance: 70 k Ω

PEAK INDICATOR THRESHOLD

+15 dBu

MAXIMUM VOLTAGE GAIN ± 3 dB —

85 dB — Mic In to Main Out	60 dB — Line In to Main Out
75 dB — Mic In to Monitor Out	50 dB — Line In to Monitor Out
75 dB — Mic In to Sub Out	50 dB — Line In to Sub Out
52 dB — Mic In to Insert Jack	27 dB — Line In to Insert Jack
82 dB — Mic In to EFX Send	57 dB — Line In to EFX Send

CROSSTALK —

-75 dB typical — Adjacent inputs 1 kHz
-75 dB typical — Input to output 1 kHz
-50 dB minimum — All combinations 20-20,000 Hz

LAMP CONNECTOR —

BNC connector, 12.6 V ac/0.20 amps maximum

PHANTOM POWER —

48 V dc at pins 2 and 3 on mic connector, 3.4 k Ω source resistance

LEVEL DISPLAY —

10 Segment LED in 3 dB Steps:

Range: -18 dB to +9 dB
Reference "0": +4 dBu
Response: Full wave, average responding

DIMENSIONS —

Model 5208SII,

Height: 130 mm (5.125 in.)
Depth: 460 mm (18.125 in.)
Width: 526 mm (20.75 in.)

Model 5212SII,

Height: 130 mm (5.125 in.)
Depth: 460 mm (18.125 in.)
Width: 680 mm (26.75 in.)

Model 5216SII,

Height: 130 mm (5.125 in.)
Depth: 460 mm (18.125 in.)
Width: 832 mm (32.75 in.)

Model 5208RMSII,

Height: 454 mm (17.875 in.)²
Depth: 140 mm (5.5 in.)
Width: 483 mm (19.0 in.)

NET WEIGHT —

Model 5208SII: 10.7 kg (23.5 lb)
Model 5212SII: 13.8 kg (30.6 lb)
Model 5216SII: 16.8 kg (37.0 lb)
Model 5208RMSII: 10.7 kg (23.5 lb)

POWER REQUIREMENT —

25 Watts Maximum

Available for 95-130 volts, 60 Hz or 190-260 volts, 50/60 Hz, or 80-110 volts, 50/60 Hz, as indicated on rear panel.

1. Theoretical minimum noise is -130.8 dBu across 150 ohms.

2. 5208RMSII front panel is ten EIA rack spaces (17.5 in.); two more rack spaces (3.5 in.) should be provided above mixer for connectors and wiring.

LINE LEVEL INPUTS

OUTPUTS

	MAXIMUM LEVEL	INPUT IMPEDANCE		MAXIMUM ¹ LEVEL	MINIMUM LOAD	INTERNAL IMPEDANCE
Left Insert	+20 dBu	100 k Ω	Main	+20 dBu	600 Ω	50 Ω
Right Insert	+20 dBu	100 k Ω	Monitor	+20 dBu	600 Ω	50 Ω
EFX Return	—	≥ 15 k Ω	Left Sub	+20 dBu	600 Ω	50 Ω
EFX Input	+40 dBu	16 k Ω	Right Sub	+20 dBu	600 Ω	50 Ω
Monitor Input	+29 dBu	10 k Ω	Left Insert	+20 dBu	600 Ω	50 Ω
Aux Input	—	≥ 15 k Ω	Right Insert	+20 dBu	600 Ω	50 Ω
Input-Channel Insert ¹	+20 dBu	1.8 k Flat EQ 1 k Max. Boost EQ	EFX Send	+20 dBu	600 Ω	50 Ω
	+5 dBu		Input-Channel Insert	+20 dBu	2000 Ω	100 Ω

1. Requires a source impedance of 100 Ω or less.

1. Max. level (± 1 dB) into min. load impedance. 0 dBu is referenced to 0.775 volt, RMS.

GENERAL SERVICING INFORMATION

Most EV circuitry is built around commonly available IC operational amplifiers. A certain amount of familiarity with operational amplifier theory and operation will facilitate servicing this unit. Throughout this manual, the following convention will be used when discussing the various amplifier stages: U1 (1). This is to be interpreted as follows: Chip designation U1, output pin = 1.

The output pin of the op-amp is particularly significant because all of the unit's stages are referenced to ground. Thus, the normal quiescent voltage at any op-amp output is 0 volts dc, give or take a few millivolts. Any op-amp output that is not at 0 volts dc is suspect, especially if it is at or near one of the direct supply rails. Beware, however, as much of the circuitry is direct coupled. Thus, it is important to look backward towards the input to localize the exact cause of trouble.

DISASSEMBLY INSTRUCTIONS

To gain access to the internal boards, simply remove the six (6) phillips head sheet metal screws for the bottom panel.

INPUT BOARDS

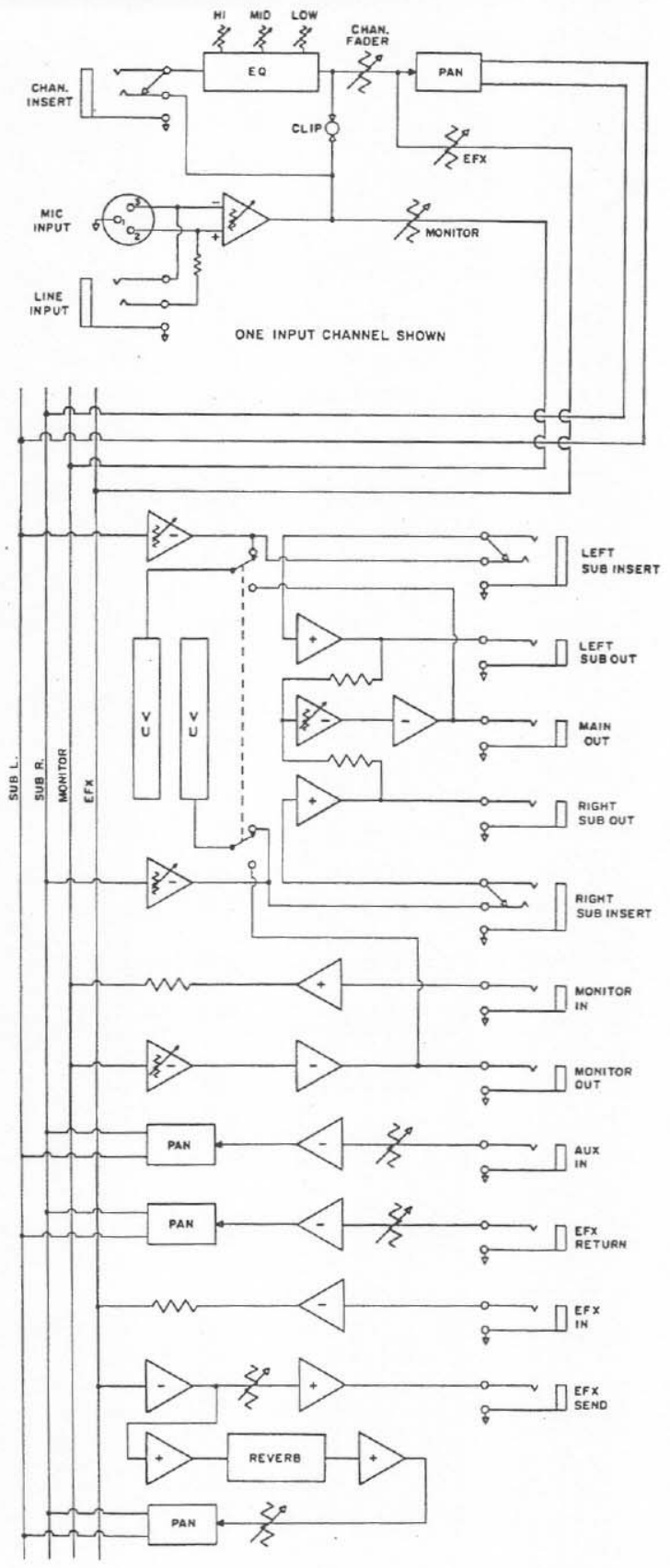
Any input board can be removed by removing the phillips head sheet metal screw adjacent to the 1/4" "line input" jack, all of the control knobs, the nuts securing the controls to the panel and the nut securing the "insert" jack. The fader can be disconnected by unsoldering or removed with the board by removing the two phillips head sheet metal screws securing the fader to the panel.

LEFT & RIGHT SUB BOARDS

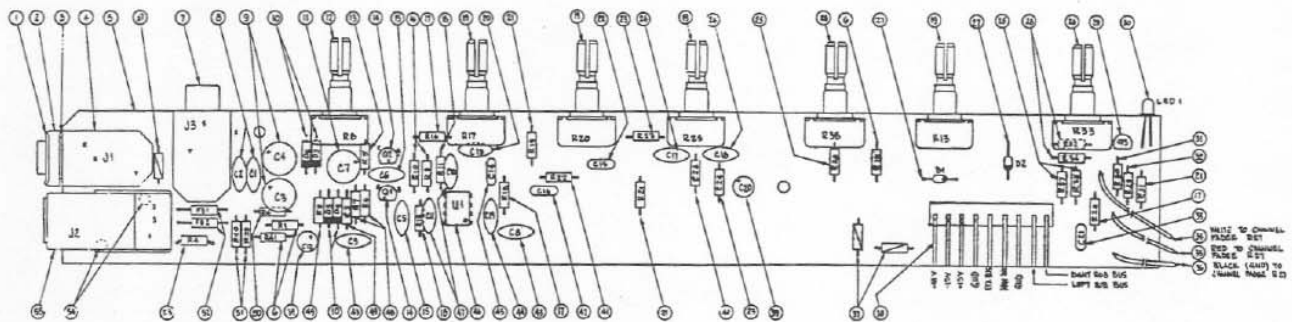
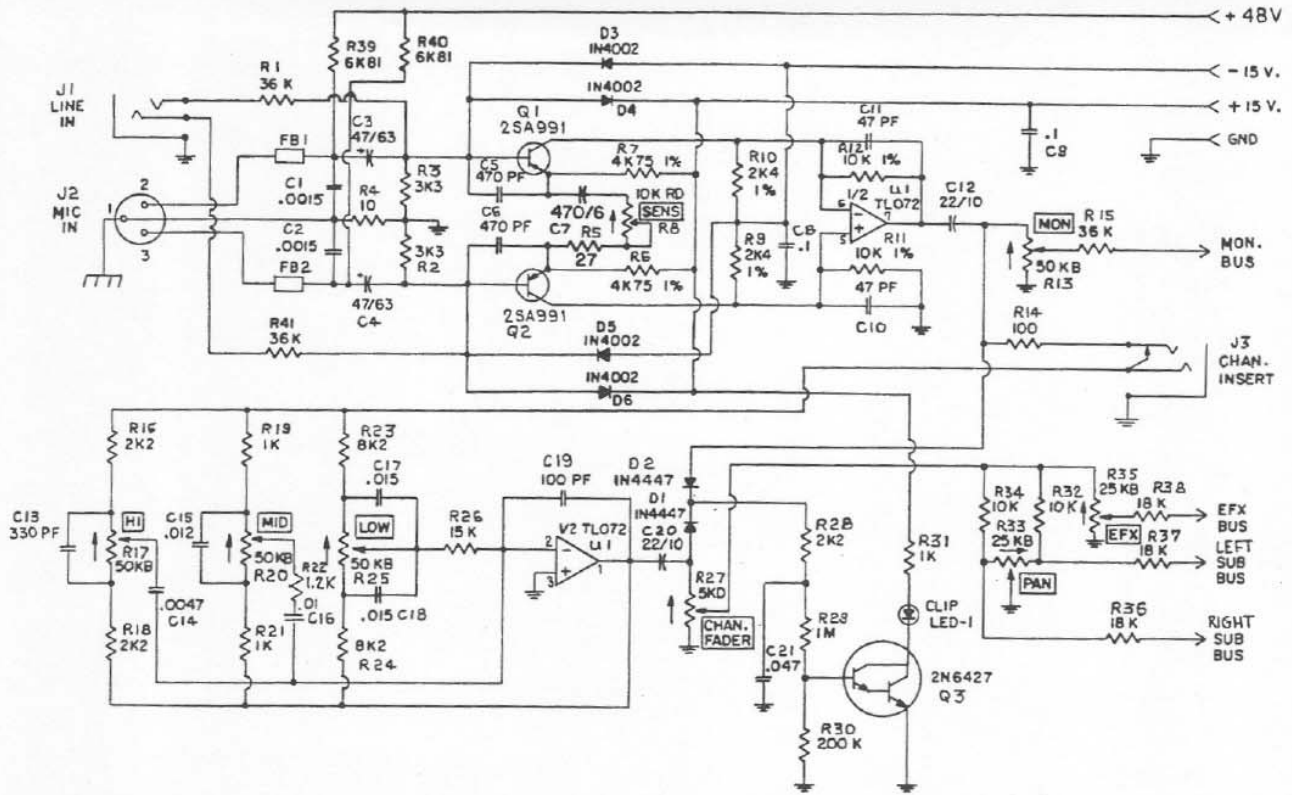
The Left and Right Sub boards are disassembled from the panel by removing the control knobs and nuts from the controls, the nut from the insert jack and unsoldering the leads from the fader control and the appropriate jacks on the back panel.

MAIN/MONITOR BOARD

The Main/Monitor board is removed by removing the control knobs (Rev. Level and Rev. Pan) and the nuts from the controls, the phillips head screw and nut through the heat sink and unsoldering the leads from the Main/Monitor faders and the appropriate jacks on the back panel.



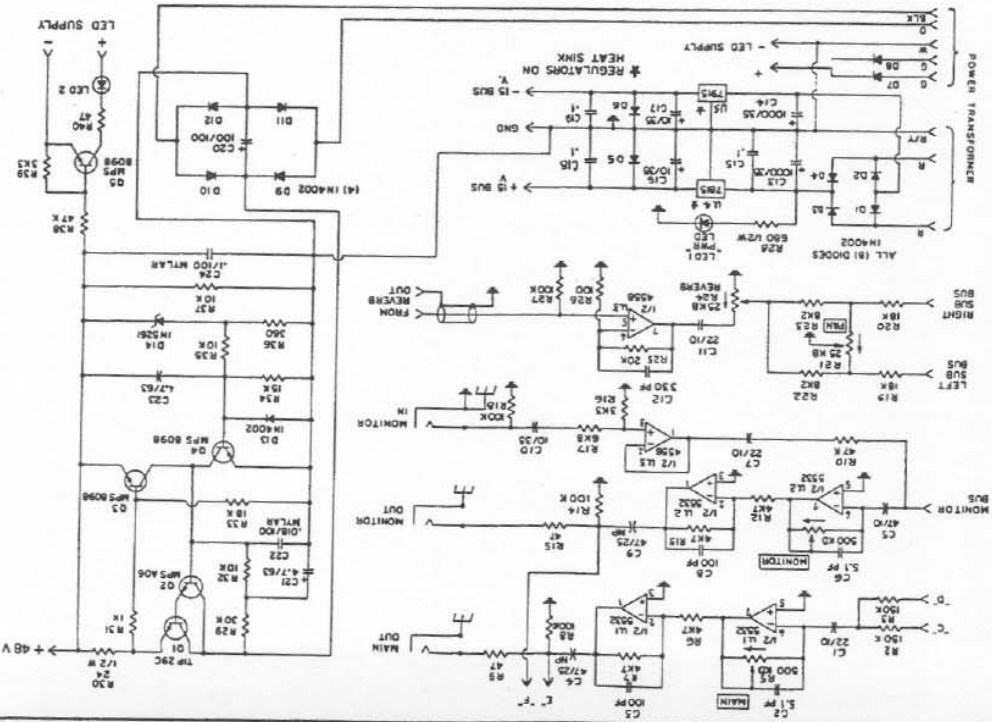
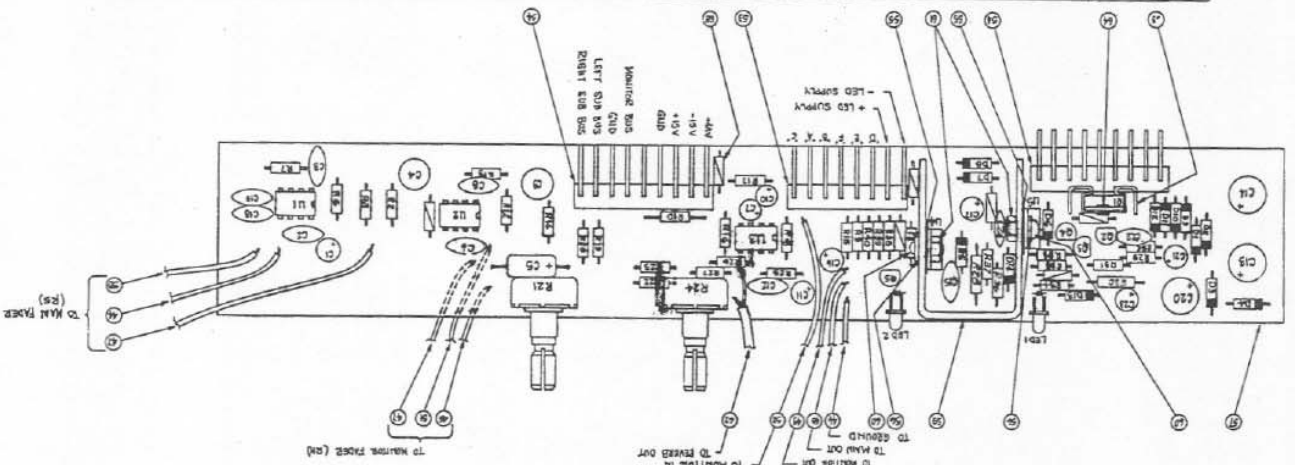
SIGNAL FLOW DIAGRAM

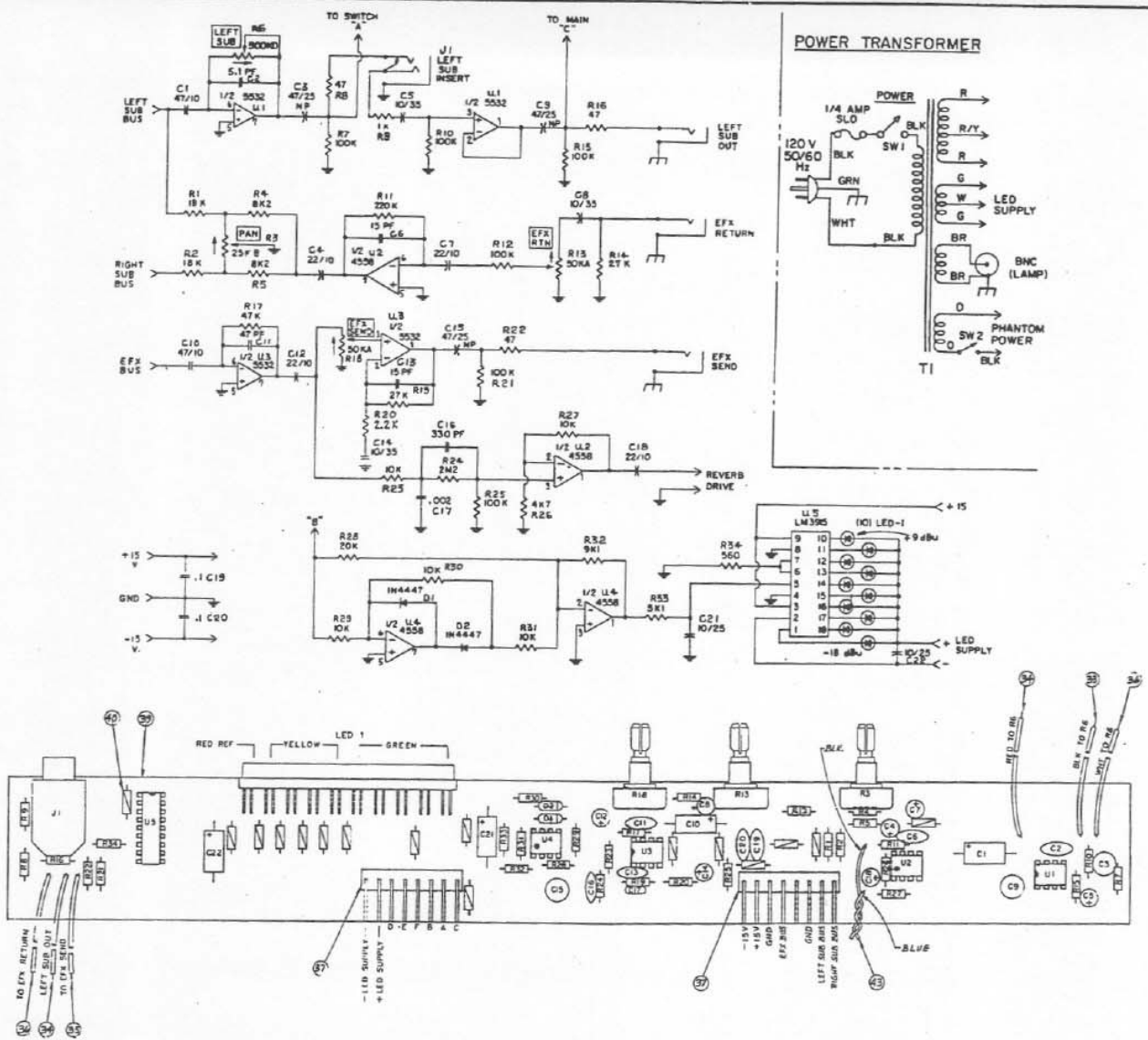


REF No.	ITEM	PART No.	DESCRIPTION
	R31, R34	26	00590Z RESISTOR, 1/4 W, 5%, 10 K
	D1, D2	27	008049-3 DIODE, 1N4447
	R39, R35	24	00549D POT, ROTARY, 25 K B
	R36-38	25	00590B RESISTOR, 1/4 W, 5%, 10 K
	C17, C18	24	00304Z CAPACITOR, FILM, .015 MFD
	R23, R14	23	005899 RESISTOR, 1/4 W, 5%, 8.2 K
	C15	22	003040 CAPACITOR, FILM, .012 MFD, 50 V
	R19, R21, R31	21	005877 RESISTOR, 1/4 W, 5%, 1 K
	C13	20	004046 CAPACITOR, C.D., 330 PF
	R17, R19, R17	19	005493 POT, ROTARY, 50K B
	R11, R12	18	005793 RESISTOR, 1/4 W, 1%, 10 K
	R16, R8, R28	17	005885 RESISTOR, 1/4 W, 5%, 2.2 K
	R9, R10	16	00579Z RESISTOR, 1/4 W, 5%, 2.4 K
	C5, C6	15	004050 CAPACITOR, C.D., 470 PF
	Q1, Q2	14	006054 TRANSISTOR, 258797
	R5	13	005839 RESISTOR, 1/4 W, 5%, 27 Ω
	R8	12	005491 POT, ROTARY, 10K B
	C7	11	001121 CAPACITOR, ELECT, 470 MFD, 6.3V
	D3-D6	10	00802Z DIODE, 1N4002
	C5, C4	9	001711 CAPACITOR, ELECT, 47 MFD, 6.3 V
	C1, C2	8	004084 CAPACITOR, C.D., .0015 MFD
	J3	7	300120 CONNECTOR, 1/4" PHONE, RN1136-PC
	R1, R15, R41	6	005915 RESISTOR, 1/4 W, 5%, 36 K
		5	451155 PC BOARD
	J1	4	300113 CONNECTOR, 1/4" PHONE, RN112
		3	452021 WASHER, FLAT, FISHPAPER
		2	500591 NUT, HEX, 3/8-32
		1	44024Z BRACKET, GROUND

REF No.	ITEM	PART No.	DESCRIPTION
	J2	55	300113 CONNECTOR, XLR, ADC
		54	500074 SCREW, PHMS, #4-40xVL, THD CUTTING
	R4	53	005929 RESISTOR, 1/4 W, 5%, 10 Ω
	FBI, FB2	52	00990Z BEAD, FERRITE
	R39, R40	51	009120 RESISTOR, 1/4, 1%, 6.81 K
	R14	50	005853 RESISTOR, 1/4 W, 5%, 100 Ω
	R2, R3	49	005889 RESISTOR, 1/4 W, 5%, 3.3 K
	R6, R7	48	00560Z RESISTOR, 1/4 W, 5%, 4.75 K
	C10, C11	47	004075 CAPACITOR, C.D., 47 PF
	U1	46	007010 I.C., TL072
	C14	45	003025 CAPACITOR, FILM, .0047 MFD
	C19	44	004037 CAPACITOR, C.D., 100 PF
	C8, C9	43	004081 CAPACITOR, C.D., 0.1 MFD
	C16	42	003037 CAPACITOR, FILM, .01 MFD
	R22	41	005879 RESISTOR, 1/4 W, 5%, 1.2 K
	R26	40	005906 RESISTOR, 1/4 W, 5%, 15 K
	C12, C20	39	001209 CAPACITOR, ELECT, 22 MFD, 10V
		38	300145 CONNECTOR, MALE, 9 PIN
		37	452503-Z JUMPER, 0.4 LG.
		36	100048 WIRE, #22 GA, BLACK, 4-5" LG.
		35	122018 WIRE, #22 GA, RED, 1.5" LG.
		34	199053 WIRE, #22 GA, WHITE, 5-3" LG.
	C21	33	003061 CAPACITOR, FILM, .047 MFD
	R25	32	005851 RESISTOR, 1/4 W, 5%, 1 M
	R30	31	005933 RESISTOR, 1/4 W, 5%, 200 K
	LED 1	30	008064 LED, T-1
	Q3	29	006021 TRANSISTOR, 2N6427

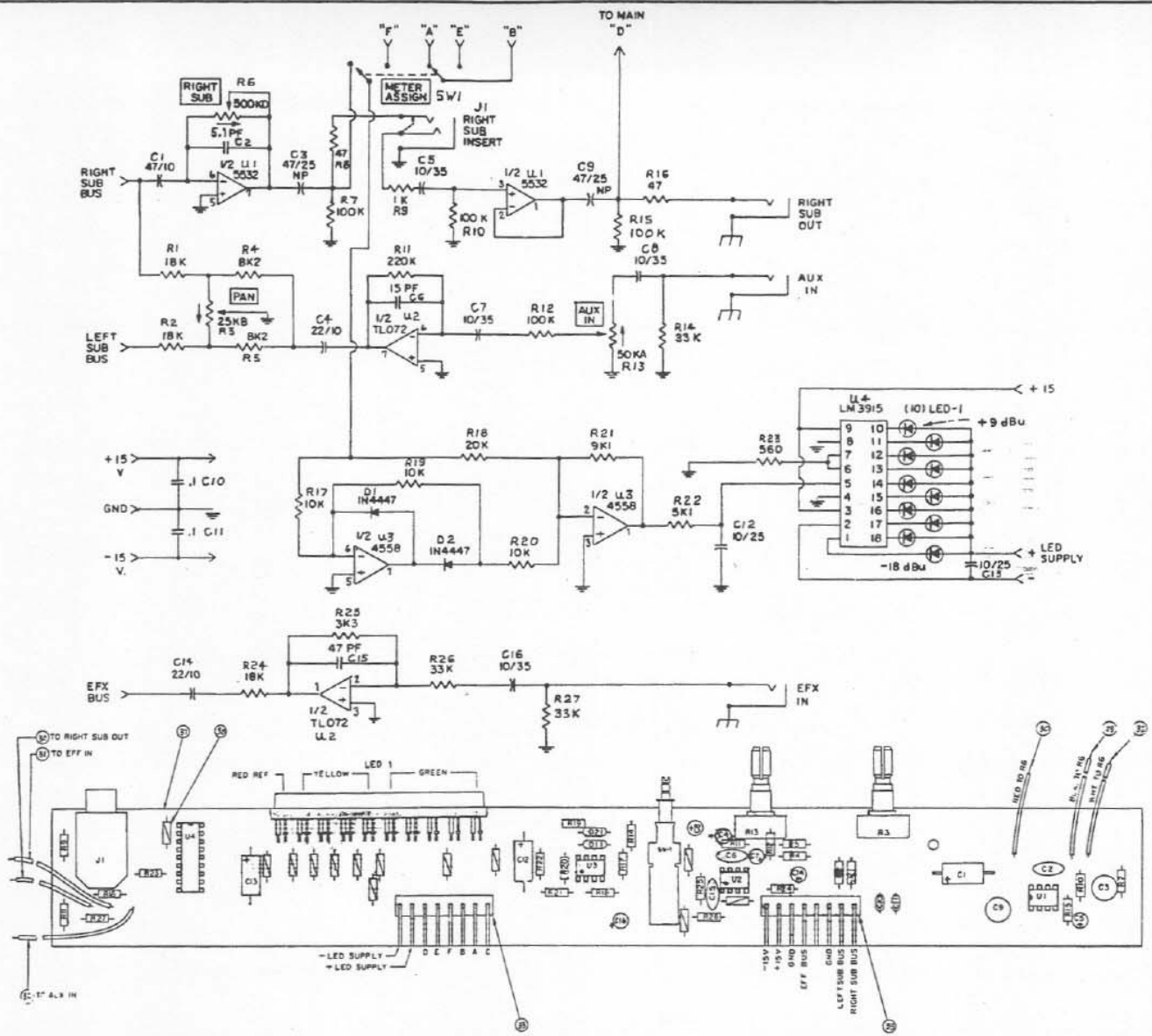
ITEM	PART NO.	DESCRIPTION	REF. DESIG.
1	001709	CAPACITOR, 2200 P.F., 50V, AL. RADIAL	C1, C11
2	001711	CAPACITOR, 47 MFD, 10V, ELEC. AL. RADIAL	C2
3	001505	CAPACITOR, 10 MFD, 35V, ELEC. AL. RADIAL	C3, C10, C14, C17
4	001519	CAPACITOR, 1000 MFD, 35V, ELEC. AL. RADIAL	C13, C14
5	001700	CAPACITOR, 47 MFD, 50V, ELEC. AL. RADIAL	C21, C23
6	001761	CAPACITOR, 100 MFD, 10V, ELEC. AL. RADIAL	C20
7	001044	CAPACITOR, 0.01 MFD, 50V, 50% TOL., MYLAR	C22
8	001313	CAPACITOR, 1 MFD, 10V, 10% TOL., MYLAR	C24
9	004905	CAPACITOR, 5.1 MFD, 50V, 50% TOL., CERAMIC DISC	C7, C8
10	004951	CAPACITOR, 200 P.F., 50V, 50% TOL., CERAMIC DISC	C3, C6
11	004946	CAPACITOR, 500 P.F., 50V, 50% TOL., CERAMIC DISC	C12
12	004991	CAPACITOR, 1 MFD, 50V, 50% TOL., CERAMIC DISC	C15, C16, C19
13	004216	CAPACITOR, 47 MFD, 15V, ELEC. AL. RADIAL	C4, C9
14	005029	RESISTOR, 24.2, 5%, 1/2 W, CF	R30
15	005064	RESISTOR, 680 Ω, 5%, 1/2 W, CF	R28
16	005106	RESISTOR, 47 K, 5%, 1/2 W, CF	R10
17	005490	POTENTIOMETER, 25KΩ, ROTARY	R21, R24
18	005445	RESISTOR, 47 Ω, 5%, 1/4 W, GF	R9, R15, R40
19	005553	RESISTOR, 100 Ω, 5%, 1/4 W, GF	R26
20	005664	RESISTOR, 300 Ω, 5%, 1/4 W, GF	R27
21	005677	RESISTOR, 1 K, 5%, 1/4 W, GF	R31
22	005889	RESISTOR, 3.3K, 5%, 1/4 W, GF	R14, R35
23	005893	RESISTOR, 4.7 K, 5%, 1/4 W, GF	R6, R7, R12, R13
24	005931	RESISTOR, 6.8 K, 5%, 1/4 W, GF	R11
25	005939	RESISTOR, 8.2 K, 5%, 1/4 W, GF	R22, R23
26	005902	RESISTOR, 40 K, 5%, 1/4 W, GF	R22, R25, R27
27	005906	RESISTOR, 18 K, 5%, 1/4 W, GF	R34
28	005908	RESISTOR, 15 K, 5%, 1/4 W, GF	R9, R20, R25
29	005905	RESISTOR, 20K, 5%, 1/4 W, GF	R28
30	005913	RESISTOR, 30K, 5%, 1/4 W, GF	R29
31	005918	RESISTOR, 47 K, 5%, 1/4 W, GF	R36
32	005926	RESISTOR, 100 K, 5%, 1/4 W, GF	R8, R14, R16, R21
33	005930	RESISTOR, 150 K, 5%, 1/4 W, GF	R17
34	006029	TRANSISTOR, SILICON, NPN, MPS-408	Q1
35	006030	TRANSISTOR, SILICON, NPN, MPS-408	Q2
36	006031	TRANSISTOR, MPS-809B	Q3, Q4, Q5
37	007006	I.C., NE555B	U1
38	007013	I.C., 7415	U2
39	007013	I.C., 7415	U3
40	007165	I.C., 7415	U4
41	008022	DIODE, 1N4002	D1 - D15
42	008059	DIODE, ZENER, 47 V, 1W5CWB	D16
43	008073	LED, T-1, GREEN	LED1, LED2
44	008080	WIRE, #22, BLACK, 3 LB.	
45	100048	WIRE, #22, BLACK, 4.8 LB.	
46	100110	WIRE, #22, BLACK, 11 LB.	
47	127128	WIRE, #22, RED, 1.8 LB.	
48	127120	WIRE, #22, RED, 1.2 LB.	
49	162115	WIRE, #22, BLUE, 11.5 LB.	
50	199030	WIRE, #22, WHITE, 3 LB.	
51	199035	WIRE, #22, WHITE, 5.5 LB.	
52	199130	WIRE, #22, WHITE, 15 LB.	
53	300050	CONNECTOR, MALE, MTS	
54	300145	HEATSINK, 8 PIN, RIGHT ANGLE	
55	303213	WASHER, RECTANGULAR, MICA, THICKNESS .171	
56	303300	WASHER, #4, SHOULDER, INSULATING	
57	451568	BOARD, PC	
58	452503-2	JUMPER, .4 LB.	
59	462027	HEAT SINK	
60	500070	SCREW, #4-40x3/8, PAN HD, 4-RECESS, 316, BLACK	
61	600583	NUT, #4-40, HEX, LOCKING	
62	804258	CABLE #14	
63	904015	HEAT SINK, T-20, THERMALTY G-45	
64	500801	RIVET, POP	





ITEM	PART NO.	DESCRIPTION	REF. DES.
23	005912	RESISTOR, 27K OHM, ±5%, 1/4 W, C.F.	R19, R14
22	005909	RESISTOR, 20K OHM, ±5%, 1/4 W, C.F.	R28
21	005908	RESISTOR, 18K OHM, ±5%, 1/4 W, C.F.	R1, R2
20	005902	RESISTOR, 10K OHM, ±5%, 1/4 W, C.F.	R23, R27, R29, R30, R31
19	005900	RESISTOR, 9K1 OHM, ±5%, 1/4 W, C.F.	R32
18	005894	RESISTOR, 5K1 OHM, ±5%, 1/4 W, C.F.	R33
17	005893	RESISTOR, 4K7 OHM, ±5%, 1/4 W, C.F.	R26
16	005877	RESISTOR, 1K OHM, ±5%, 1/4 W, C.F.	R9
15	005871	RESISTOR, 560 OHM, ±5%, 1/4 W, C.F.	R34
14	005845	RESISTOR, 47 OHM, ±5%, 1/4 W, C.F.	R8, R16, R22
13	005492	POTENTIOMETER, 50K, 16MM, VERT, PCB, 20°	R13, R18
12	005490	POTENTIOMETER, 25KB, ROTARY	R3
11	004216	CAPACITOR, 47MFD, 25V, ELECT., NON POLAR RADIAL	C3, C9, C15
10	004091	CAPACITOR, 1MFD, 50V, CERAMIC DISC	C19, C20
9	004046	CAPACITOR, 330PF, ±10%, 50V, CERAMIC DISC	C16
8	004025	CAPACITOR, 47PF, ±10%, 50V, CERAMIC DISC	C11
7	004005	CAPACITOR, 5.1PF, ±10%, 50V, CERAMIC DISC	C2
6	004010	CAPACITOR, 15PF, ±10%, 50V, CERAMIC DISC	C6, C13
5	003113	CAPACITOR, .0022MFD, ±10%, 100V, M.F.	C17
4	001505	CAPACITOR, 10MFD, 35V, ELECT., AL RADIAL	C5, C8, C14
3	001406	CAPACITOR, 10MFD, 25V, ELECT., AL RADIAL	C21, C22
2	001211	CAPACITOR, 47MFD, 10V, ELECT., AL RADIAL	C1, C10
1	001209	CAPACITOR, 22MFD, 10V, ELECT., AL RADIAL	C4, C7, C12, C18

ITEM	PART NO.	DESCRIPTION	REF. DES.
45			
44	005885	RESISTOR, 2K2 OHM, ±5%, 1/4 W, C.F.	R20
43	804257	CABLE 5/A, REVERB. IN	
42			
41	455011	ARRAY, LIGHT EMITTING DIODE	LED 1
40	452503-2	JUMPER, 0.4 IN	
39	451156	BOARD, PRINTED, ETCHED	
38	300120	CONNECTOR, 1/4 IN, INSERT, JACK	J1
37	300050	CONNECTOR, MALE, MTS	
36	199030	WIRE #22 GA, WHITE, 3.0 IN LG.	
35	166030	WIRE #22 GA, BLUE, 3.0 IN LG.	
34	12201B	WIRE #22 GA, RED, 1.8 IN LG.	
33	100030	WIRE #22 GA, BLACK, 3 IN LG.	
32	008749-3	DIODE, IN4447	D1, D2
31	007200	CIRCUIT, INTEGRATED, LM3915N	U5
30	007013	CIRCUIT, INTEGRATED, NE5532	U1, U3
29	007006	CIRCUIT, INTEGRATED, RC4558	U2, U4
28	005959	RESISTOR, 2.2 MEG OHM, ±5%, 1/4 W, C.F.	R24
27	005934	RESISTOR, 220K OHM, ±5%, 1/4 W, C.F.	R11
26	005926	RESISTOR, 100K OHM, ±5%, 1/4 W, C.F.	R7, R10, R12, R21, R25
25	005918	RESISTOR, 47K OHM, ±5%, 1/4 W, C.F.	R17
24	005899	RESISTOR, 8K2 OHM, ±5%, 1/4 W, C.F.	R4, R5
ITEM	PART NO.	DESCRIPTION	REF. DES.



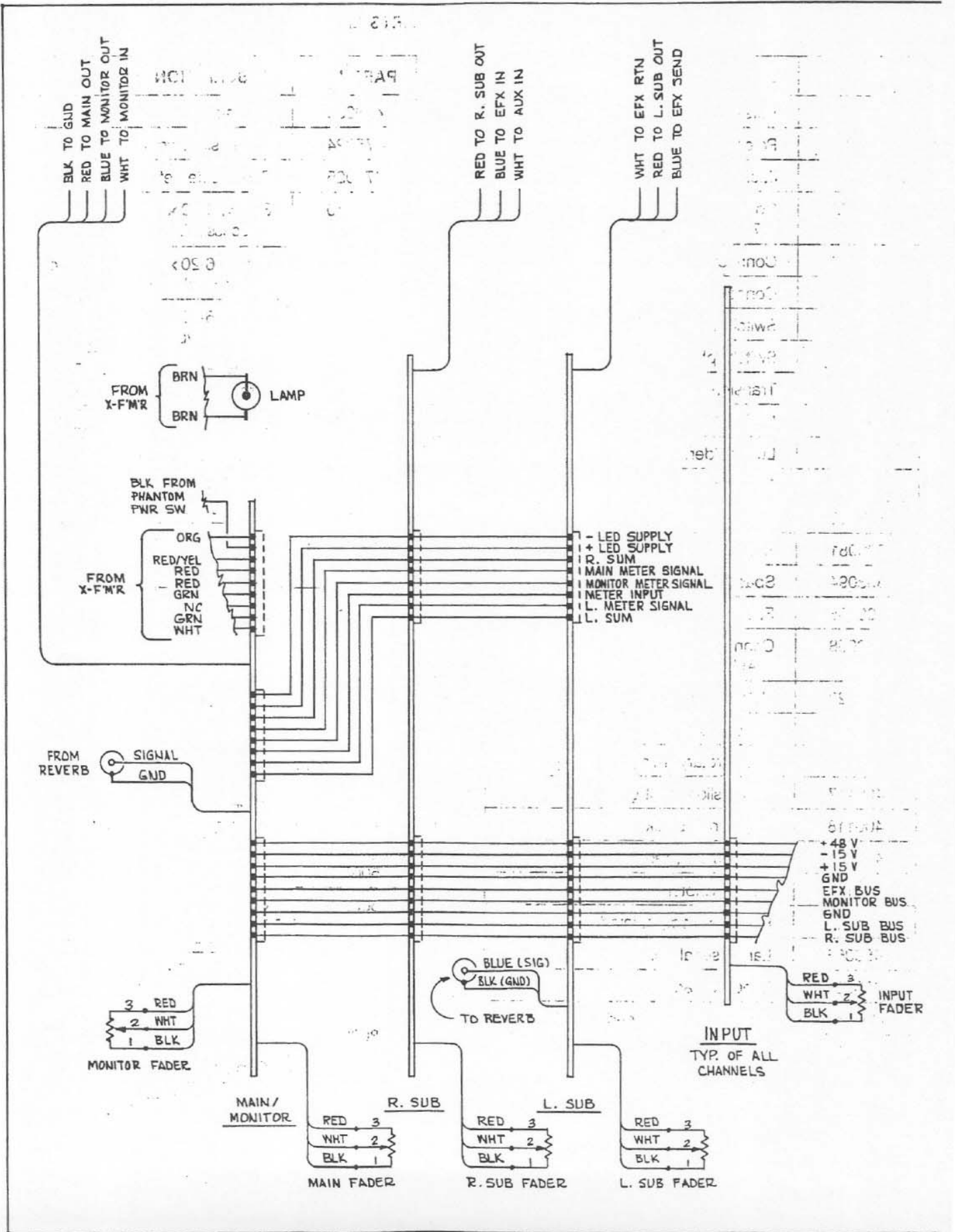
ITEM	PART NO.	DESCRIPTION	REF. DES.
23	005912	RESISTOR, 27K OHM, ±5%, 1/4 W, C.F.	R19, R14
22	005909	RESISTOR, 20K OHM, ±5%, 1/4 W, C.F.	R28
21	005908	RESISTOR, 18K OHM, ±5%, 1/4 W, C.F.	R1, R2
20	005902	RESISTOR, 10K OHM, ±5%, 1/4 W, C.F.	R23, R27, R29, R30, R31
19	005900	RESISTOR, 9K1 OHM, ±5%, 1/4 W, C.F.	R32
18	005894	RESISTOR, 5K1 OHM, ±5%, 1/4 W, C.F.	R33
17	005893	RESISTOR, 4K7 OHM, ±5%, 1/4 W, C.F.	R26
16	005877	RESISTOR, 1K OHM, ±5%, 1/4 W, C.F.	R9
15	005871	RESISTOR, 560 OHM, ±5%, 1/4 W, C.F.	R34
14	005845	RESISTOR, 47 OHM, ±5%, 1/4 W, C.F.	R8, R16, R22
13	005492	POTENTIOMETER, 50K, 16MM, VERT, PCB, 20°	R13, R18
12	005490	POTENTIOMETER, 25KB, ROTARY	R3
11	004216	CAPACITOR, 47MFD, 25V, ELECT., NON POLAR	C3, C9, C15
10	004091	LAPACITOR, .1MFD 50V CERAMIC DISC	C19, C20
9	004046	LAPACITOR, 330PF, ±10%, 50V, CERAMIC DISC	C16
8	004025	LAPACITOR, 47PF, ±10%, 50V, CERAMIC DISC	C11
7	004005	LAPACITOR, 5.1PF, ±10%, 50V, CERAMIC DISC	C2
6	004010	LAPACITOR, 15PF, ±10%, 50V, CERAMIC DISC	C6, C13
5	003113	LAPACITOR, .0022MFD, ±10%, 100V, M.F.	C17
4	001505	LAPACITOR, 10MFD, 35V, ELECT., AL RADIAL	C5, C8, C14
3	001406	LAPACITOR, 10MFD, 25V, ELECT., AL RADIAL	C21, C22
2	001211	LAPACITOR, 47MFD, 10V, ELECT., AL RADIAL	C1, C10
1	001209	LAPACITOR, 22MFD, 10V, ELECT., AL RADIAL	C4, C7, C12, C18

ITEM	PART NO.	DESCRIPTION	REF. DES.
45			
44	005885	RESISTOR, 2K2 OHM, ±5%, 1/4 W, C.F.	R20
43	804257	CABLE 5/16, REVERB IN	
42			
41	455011	ARRAY, LIGHT EMITTING DIODE	LED 1
40	452503-2	JUMPER, 0.4 IN	
39	451156	BOARD, PRINTED, ETCHED	
38	300120	CONNECTOR, 1/4 IN, INSERT, JACK	J1
37	300050	CONNECTOR, MALE, MTS	
36	199030	WIRE #22 GA., WHITE, 3.0 IN LG.	
35	166030	WIRE #22 GA., BLUE, 3.0 IN LG.	
34	122018	WIRE #22 GA., RED, 1.8 IN LG.	
33	100930	WIRE #22 GA., BLACK, 3 IN LG.	
32	308273-3	DIODE, IN 4447	D1, D2
31	007200	CIRCUIT, INTEGRATED, LM3915N	U5
30	007013	CIRCUIT, INTEGRATED, NE 5532	U1, U3
29	007006	CIRCUIT, INTEGRATED, PC4558	U2, U4
28	005959	RESISTOR, 2.2 MEG OHM, ±5%, 1/4 W, C.F.	R24
27	005934	RESISTOR, 220K OHM, ±5%, 1/4 W, C.F.	R11
26	005926	RESISTOR, 100K OHM, ±5%, 1/4 W, C.F.	R7, R10, R12, R21, R25
25	005918	RESISTOR, 47K OHM, ±5%, 1/4 W, C.F.	R17
24	005899	RESISTOR, 8K2 OHM, ±5%, 1/4 W, C.F.	R4, R5

MISCELLANEOUS PARTS LIST

PART NO.	DESCRIPTION
005477	Potentiometer, 5KD, slide, 60mm
005512	Potentiometer, 500KD, slide, 60mm
300052	Jack, 1/4-in., phone, Hi-D
300062	Connector, housing, MTS 156, 7 POS.
300109	Connector, wire
300121	Connector, BNC
301024	Switch, rocker, power
301025	Switch, phantom power
302113	Transformer, power
303008	Lug, solder, #8, in. tooth
303015	Lug, solder, 3/8, in. tooth
303028	Strain relief, HEYCO
303066	Cord, line, SJT
303081	Reverb
303094	Spacer
303108	Fuse, 0.25A, 3AG, SLO-BLO
300058	Connector, housing, MTS-156, AMP 640601-2
303120	Holder, fuse
400087	Knob, rotary, mini, light grey
400089	Knob, rotary, mini, dark grey
400117	Knob, slide, light grey
400118	Cap, vinyl, black
400091	Knob, slider, red
400105	Plate, adapter
Charted	Panel, bottom, painted
450063	Label, serial no.
450381	Label, voltage
Charted	Chassis, stl, screened
452021	Washer, insulating
454460	Wire, #22 AWG, TR-32, 6" lg., blk.
452122	Barrier, dust, foam
452400	Wire, #22 AWG, solid, bare, 2 1/2" lg.
454463	Wire, #22 AWG, TEW, black, 7.5 in. lg.

PART NO.	DESCRIPTION
460235	Rail, side
475024	Panel, side, right
475025	Panel, side, left
500070	Screw, 4-40 x 3/8, PAN HD. cross recess stl.
500107	Screw, 6-20 x 1/2, PAN HD. cross recess stl. type AB
500125	Screw, 6-20 x 1/2, PAN HD. cross recess type AB, SEMS, blk.
500201	Screw, 8-32 x 3/8, PAN HD. cross recess stl., blk.
500212	Screw, 8-32 x 1/2, PAN HD. cross recess stl. SEMS, blk.
400039	Knob, push switch, white
500291	Nut, 8-32, KEP
500591	Nut, 3/8-32, HEX.
500593	Nut, 4-40, locking
500680	Washer, 3/8, lock, int. tooth
500681	Washer, 3/8, FLT.
500685	Washer, #8, FLT, stl.
500702	Nut, 7mm, HEX.
500708	Screw, 3mm x 8mm, PAN HD, cross recess
500712	Washer, 7mm, lock, int. tooth, type A
500801	Pop rivet
500850	Cable tie
500862	Cable tie base
800201	Input PCB S/A
800202	Left Sub PCB S/A
800203	Right Sub PCB S/A
800204	Main/Monitor PCB S/A
804260	Cable S/A, 8 cond.
Charted	Cable S/A, 9 cond.
303095	Spacer, alum
303030	Rubber foot



REPAIR PARTS

Service parts are available from the Redmond factory. Contact us by phone or mail.

Our address: Electro-Voice, Inc.
 3810 148th Ave. NE
 Redmond, WA 98052
 206/881-9555
 (8AM-4PM pacific time zone)

If you are ordering parts and do not have the six digit part number, please include the model and serial number of the unit, the assembly part number and revision. The assembly part number/revision is a six digit, one letter code beginning with 800 that is rubber stamped on the parts side of the PCB assembly. In lieu of this information, the two digit, one letter code etched into the foil side of the PCB is helpful. If you are ordering a control or switch, tell us the function name . . . power, frequency, input level, etc.

In any event, be sure to include the following information:

- Your Name
- Shipping address (no post office boxes, please)
- City, State, Zip
- Daytime phone number
- Method of shipment (UPS ground if not specified)

If you call us for assistance on/with a problem, please have the EXACT model number, serial and assembly part numbers handy.

WARRANTY (Limited)

Electro-Voice EVT Electronic Components are guaranteed for one year from date of original purchase against malfunction due to defects in workmanship and materials. If such malfunction occurs, unit will be repaired or replaced (at our option) without charge for materials or labor if delivered prepaid to the proper Electro-Voice service facility. Unit will be returned prepaid. Warranty does not extend to finish, appearance items or malfunction due to abuse or operation under other than specified conditions, nor does it extend to incidental or consequential damages. Some states do not allow the exclusion or limitation of incidental or consequential damages, so the above exclusion may not apply to you. Repair by other than Electro-Voice or its authorized service agencies will void this guarantee. A list of authorized warranty service centers is available from Electro-Voice, Inc., 600 Cecil Street, Buchanan, MI 49107 (AC/616-695-6831); Electro-Voice, Inc., 3810 148th Avenue N.E., Redmond, WA 98052 (AC/206-881-9555); and/or Electro-Voice West, 8234 Doe Avenue, Visalia, CA 93291 (AC/209-651-7777). This warranty gives you specific legal rights, and you may also have other rights which vary from state to state.

Service and repair address for this product: Electro-Voice, Inc., 3810 148th Avenue N.E., Redmond, Washington 98052.

Specifications subject to change without notice.

PROPRIETARY NOTICE

This document and the technical data hereon disclosed, are proprietary to Electro-Voice, Inc. and shall not, without express written permission of Electro-Voice, Inc. be used, released or disclosed in whole or in part, or used to solicit quotations from a competitive source or used for manufacture by anyone other than Electro-Voice, Inc. The information hereon has been developed at private expense, and may only be used for purposes of engineering evaluation and for incorporation into technical specifications and other documents which specify parts procured by or procurement of products from Electro-Voice, Inc.



ELECTRO-VOICE, INC., 600 Cecil Street, Buchanan, Michigan 49107

MANUFACTURING PLANTS AT ■ BUCHANAN, MI ■ NEWPORT, TN ■ SEVIERVILLE, TN ■ REDMOND, WA ■ GANANOQUE, ONT
 ©Electro-Voice, Inc. 1986 ■ Litho In U.S.A. Part Number 2545

a **gulton** company