

ANALOG CONNECTOR TO DSP-BOARD

* NOT FITTED
* NICHT BESTÜCKT

PARALLEL A

PARALLEL B

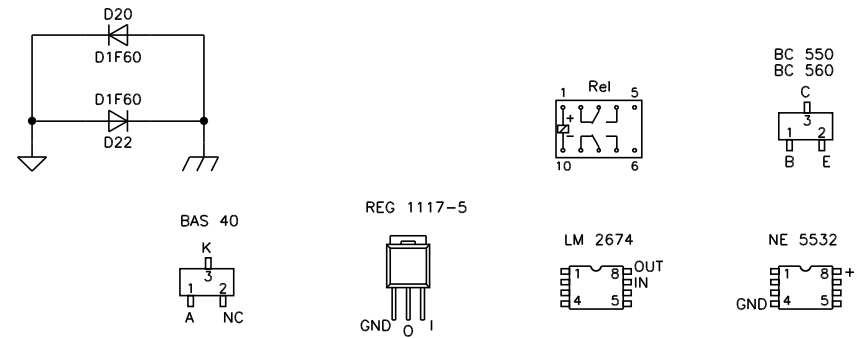
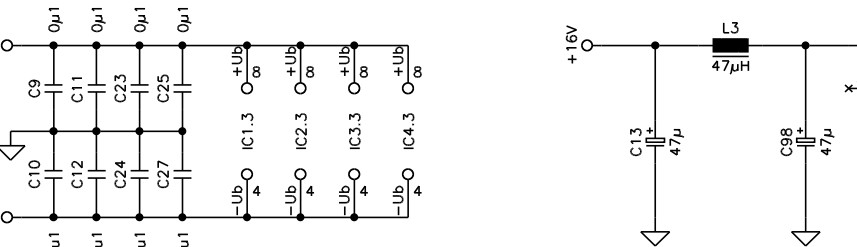
CN9.1

CN3

SAFETY COMPONENT - MUST BE REPLACED BY ORIGINAL PART!

AC VOLTAGE 1000HZ MEASURED WITH VTVM

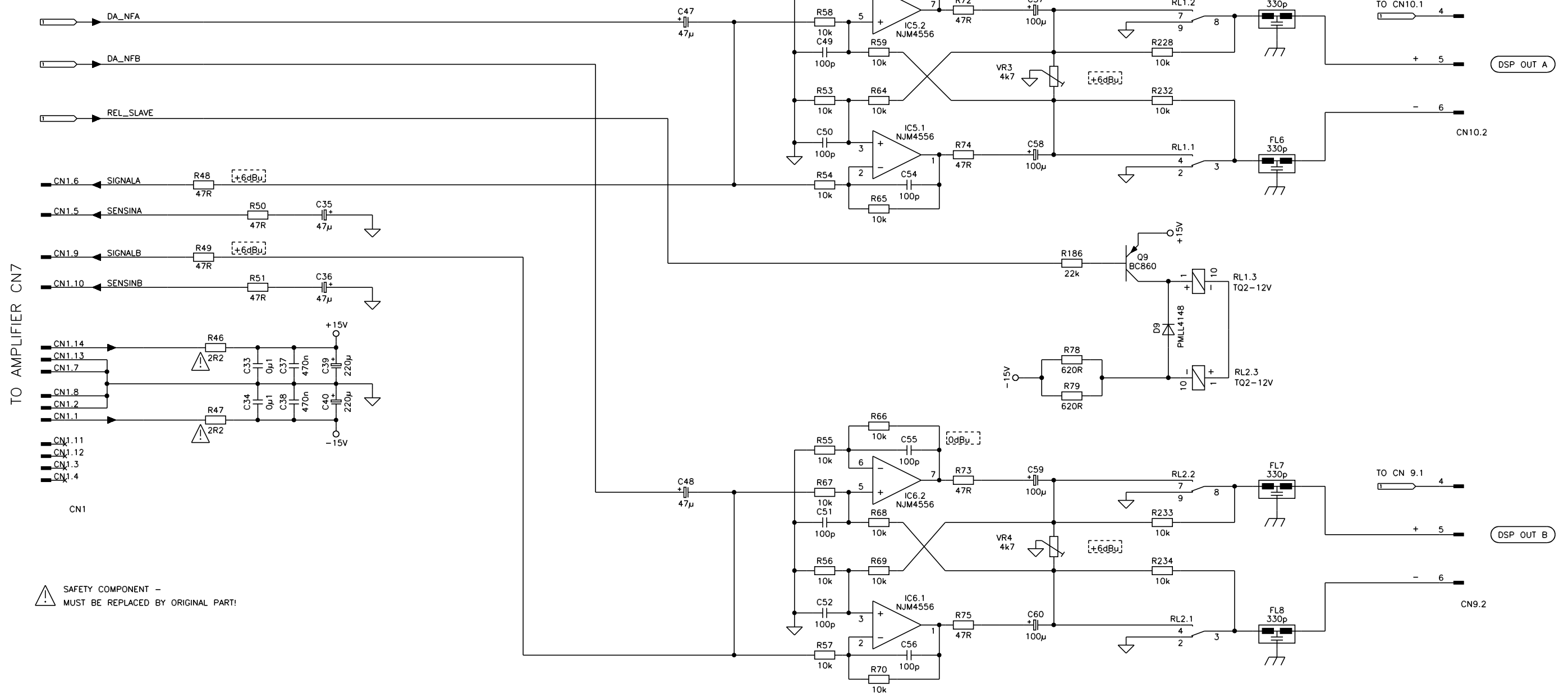
DC VOLTAGE MEASURED WITH VOLTMETER 100kOHM/V



Top View

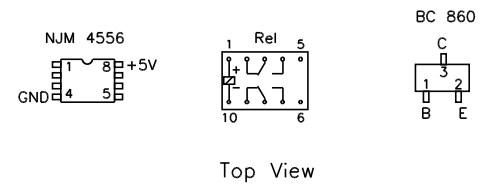
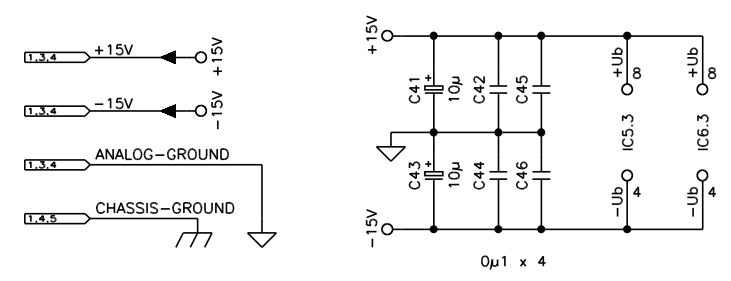
ALTERATIONS RESERVED !

				Last saved: 08.10.02 13:16		HOST-ANALOGPRINT 80476	
				Project name: 80476d			
2000	DATE	NAME		357 491		SHEET	
DSC'D	05.10.	BLIEN				1/5	
CHK'D						ANALOG INPUTS	
APP'D				RCM-24		3-	
ISSUE	REVISION	DATE	NAME	EVI AUDIO			



TO AMPLIFIER CN7

SAFETY COMPONENT - MUST BE REPLACED BY ORIGINAL PART!



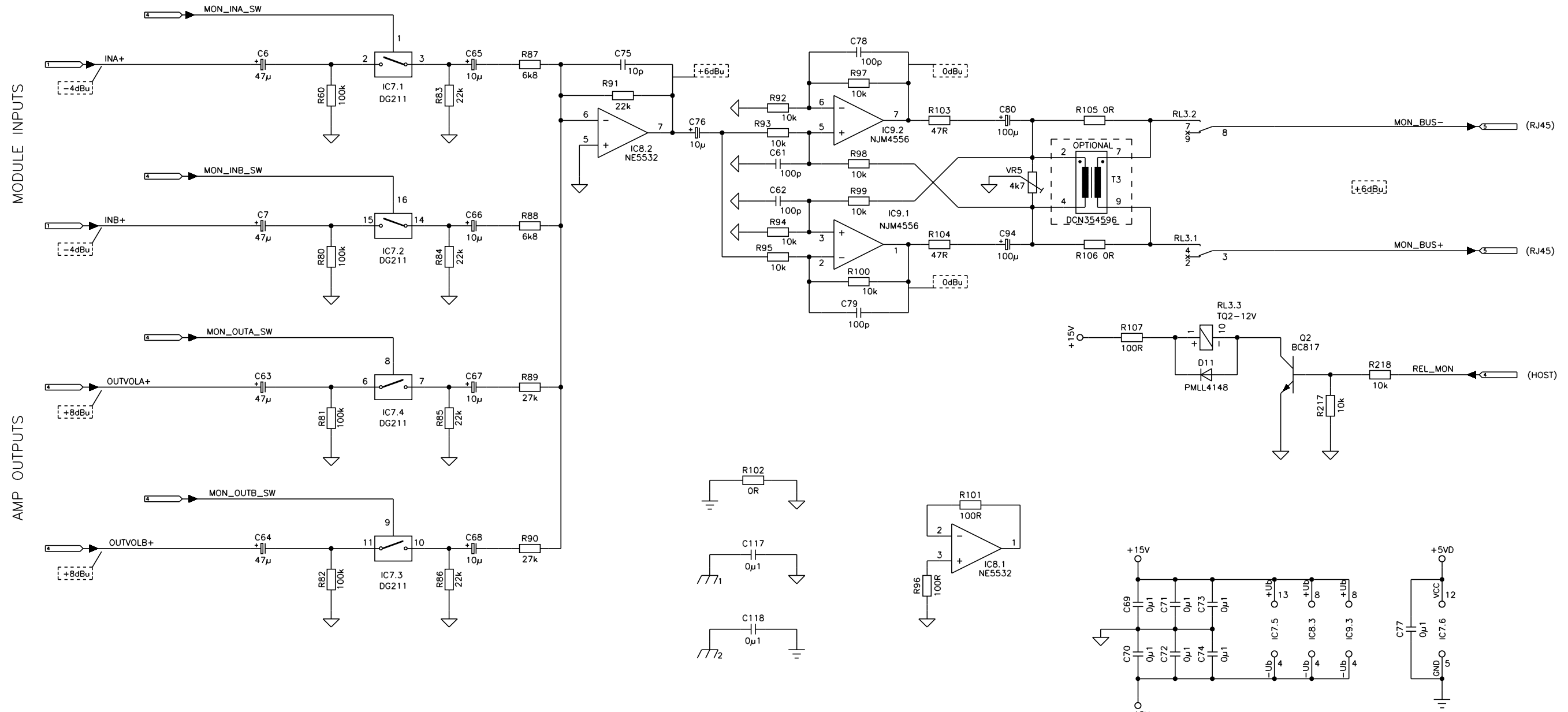
Top View

ALTERATIONS RESERVED !

				Last saved: 08.10.02 13:16		HOST-ANALOGPRINT 80476	
				Project name: 80476d			
2000	DATE	NAME		357 491		SHEET	
DSC'D	05.10.	BLIEN				2/5	
CHK'D							
				APP'D		SLAVE OUT	
ISSUE	REVISION	DATE	NAME	EVI AUDIO		RCM-24	
						3-	

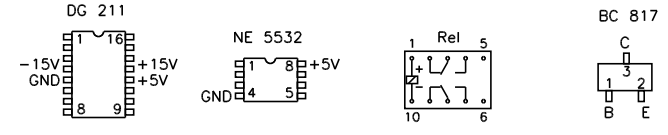
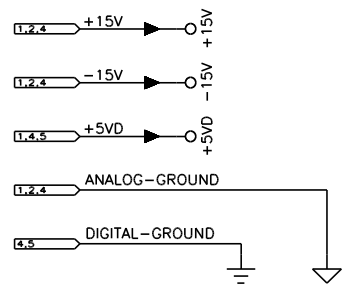
AC VOLTAGE 1000HZ MEASURED WITH VTVM
DC VOLTAGE MEASURED WITH VOLTMETER 100kOHM/V

MON_XXX_SW: high - means switches = OFF
 MON_XXX_SW: high - bedeutet Schalter = AUS



MODULE INPUTS

AMP OUTPUTS

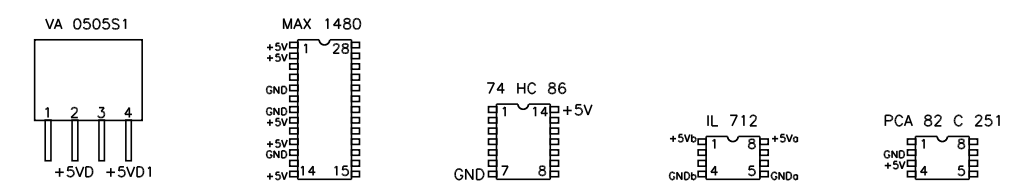
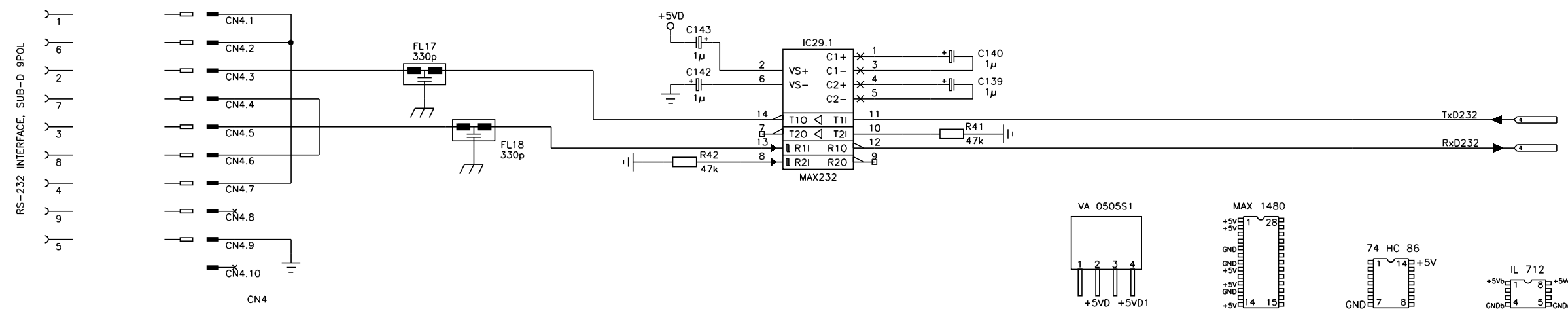
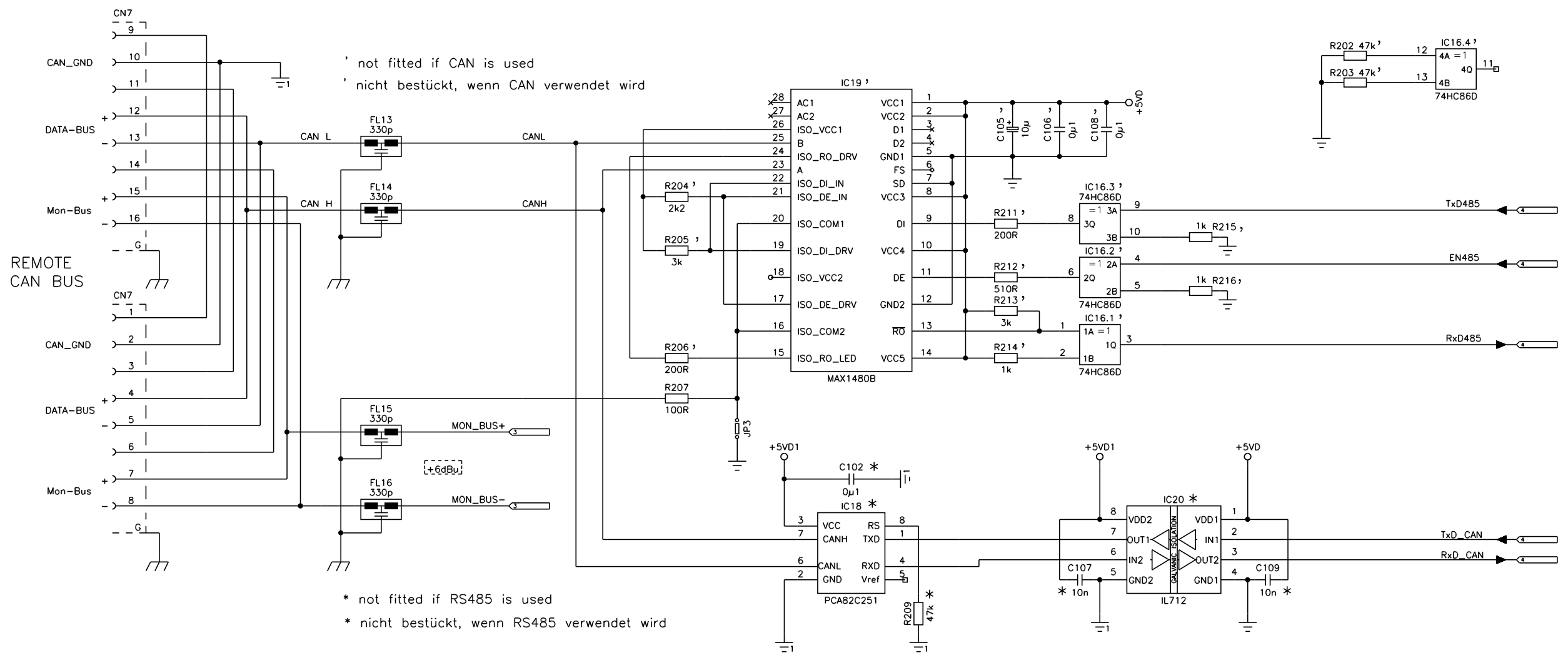


Top View

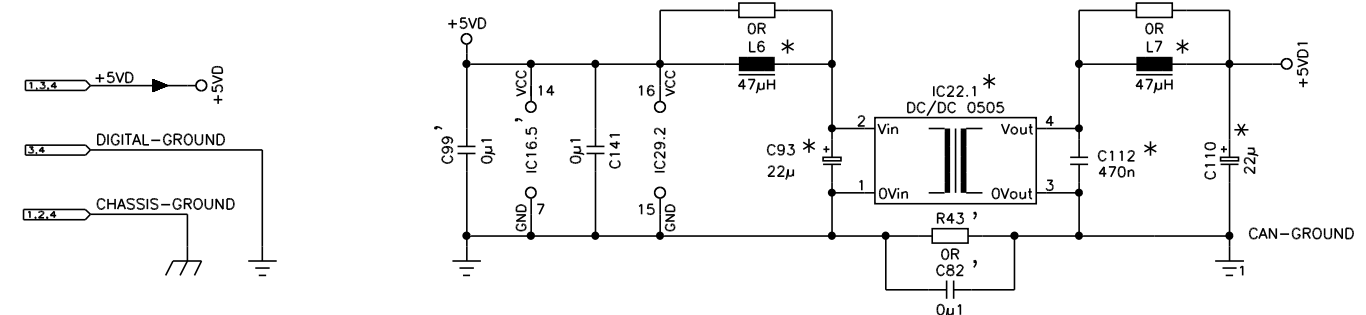
AC VOLTAGE 1000HZ MEASURED WITH VTVM
 DC VOLTAGE MEASURED WITH VOLTMETER 100KOHM/V

ALTERATIONS RESERVED !

				Last saved: 08.10.02 13:16		HOST-ANALOGPRINT 80476	
				Project name: 80476d			
2000	DATE	NAME		357 491		SHEET	
DSG'D	05.10.	BLIEN				3/5	
CHK'D							
				APP'D		MONITOR OUT	
a	40/02	13.6.02	Blien	EVI AUDIO		RCM-24	
ISSUE	REVISION	DATE	NAME			3-	

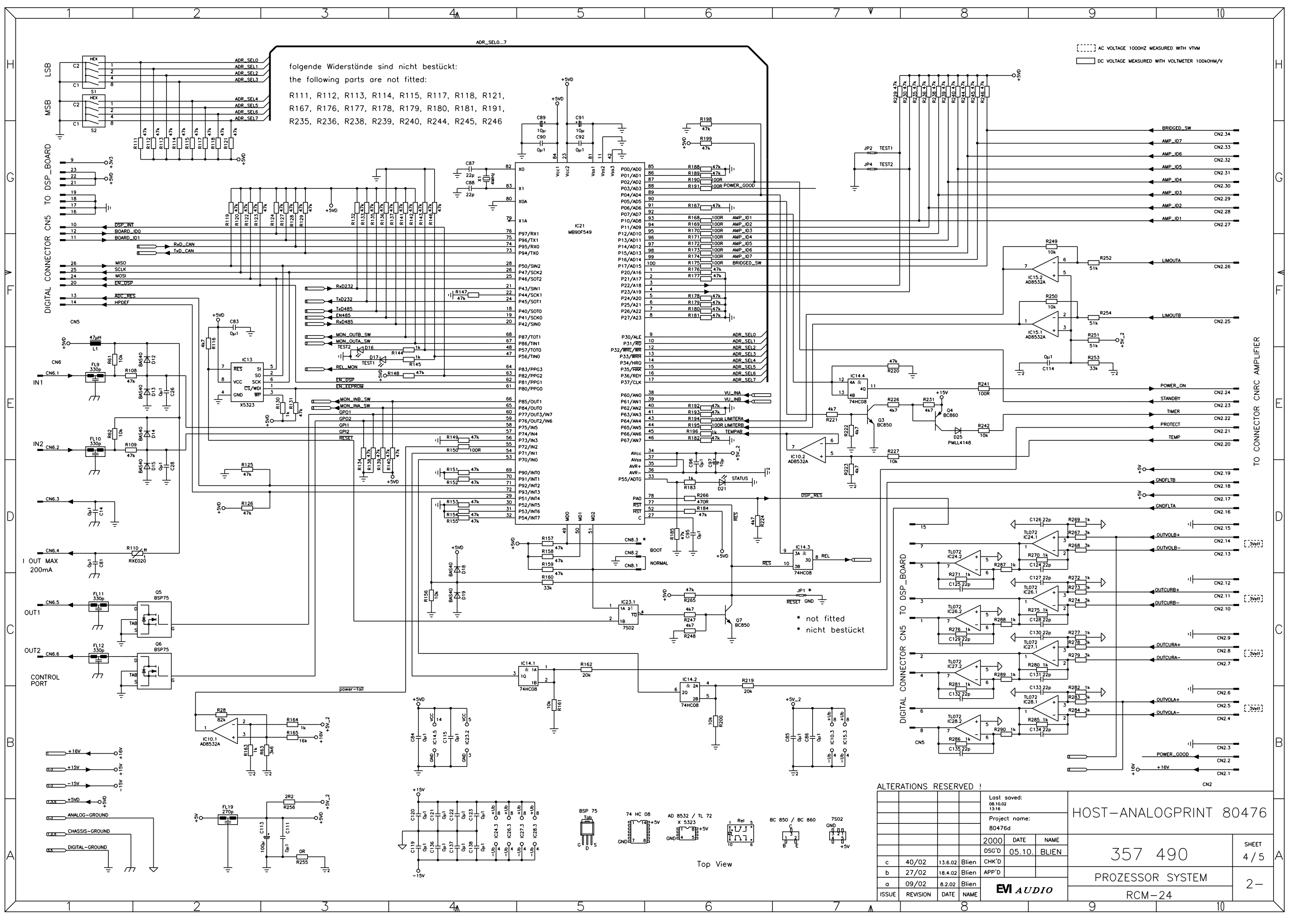


Top View



ALTERATIONS RESERVED !

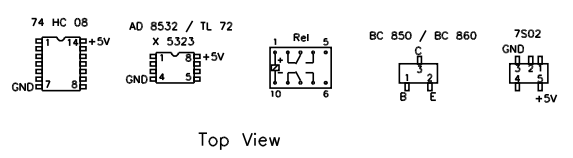
Last saved: 08.10.02 13:16				HOST-ANALOGPRINT 80476	
Project name: 80476d					
2000	DATE	NAME		357 491	SHEET 5/5
DSC'D	05.10.	BLIEN			
CHK'D					
APP'D					
a	09/02	8.2.02	Blien	INTERFACES	
ISSUE	REVISION	DATE	NAME		
EVI AUDIO				RCM-24	
				3-	



folgende Widerstände sind nicht bestückt:
 the following parts are not fitted:
 R111, R112, R113, R114, R115, R117, R118, R121,
 R167, R176, R177, R178, R179, R180, R181, R191,
 R235, R236, R238, R239, R240, R244, R245, R246

AC VOLTAGE 1000HZ MEASURED WITH VTVM
 DC VOLTAGE MEASURED WITH VOLTMETER 100KOHM/V

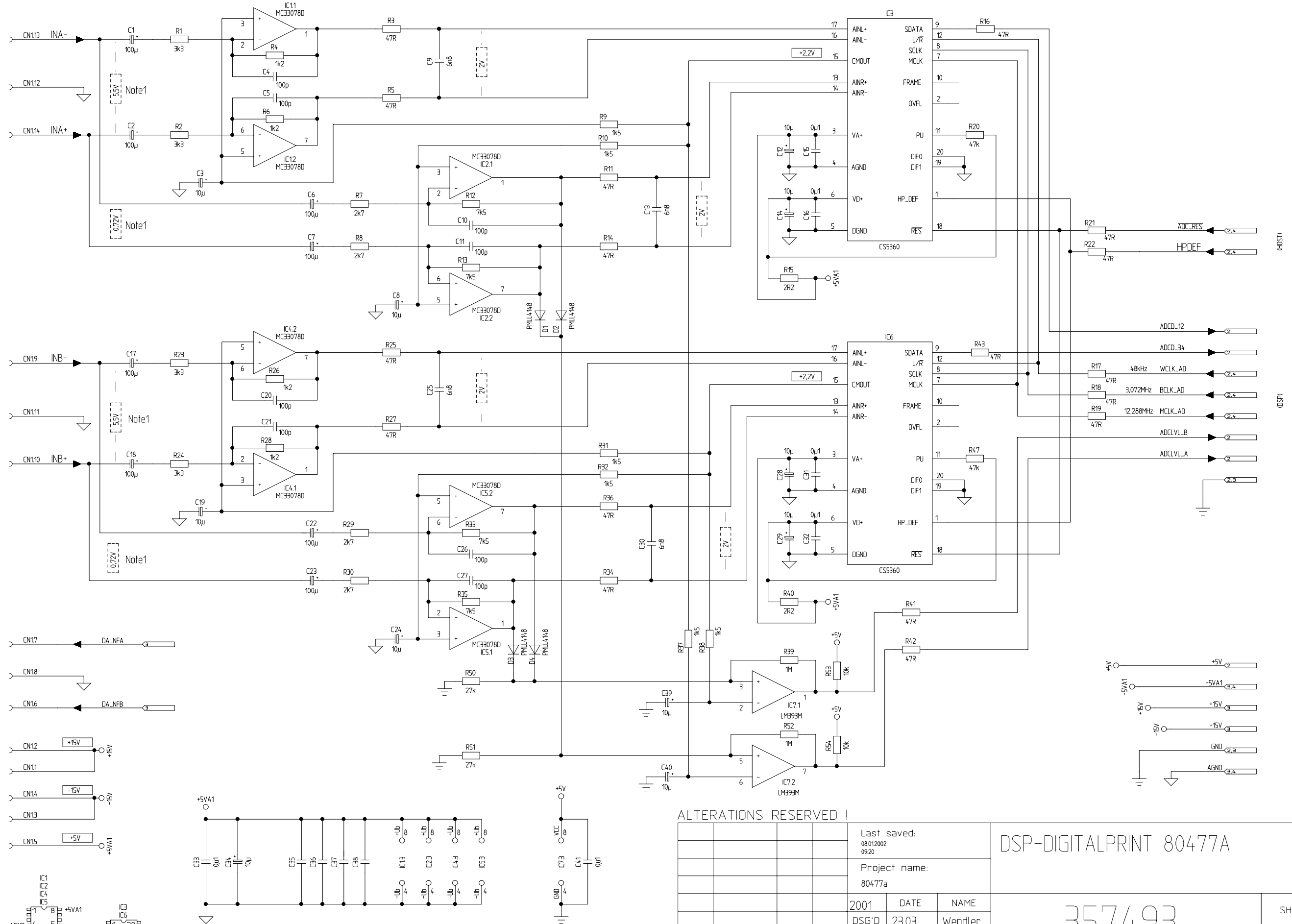
* not fitted
 * nicht bestückt



ALTERATIONS RESERVED !

Last saved: 08.10.02 13:16				PROJECT NAME: 80476d		HOST-ANALOGPRINT 80476		SHEET 4/5	
Project name: 80476d				2000 DATE NAME		357 490		PROZESSOR SYSTEM	
c 40/02 13.6.02 Blien CHK'D				05.10. BLIEN		RCM-24		2-	
b 27/02 18.4.02 Blien APP'D									
a 09/02 8.2.02 Blien									
ISSUE REVISION DATE NAME				EVI AUDIO					

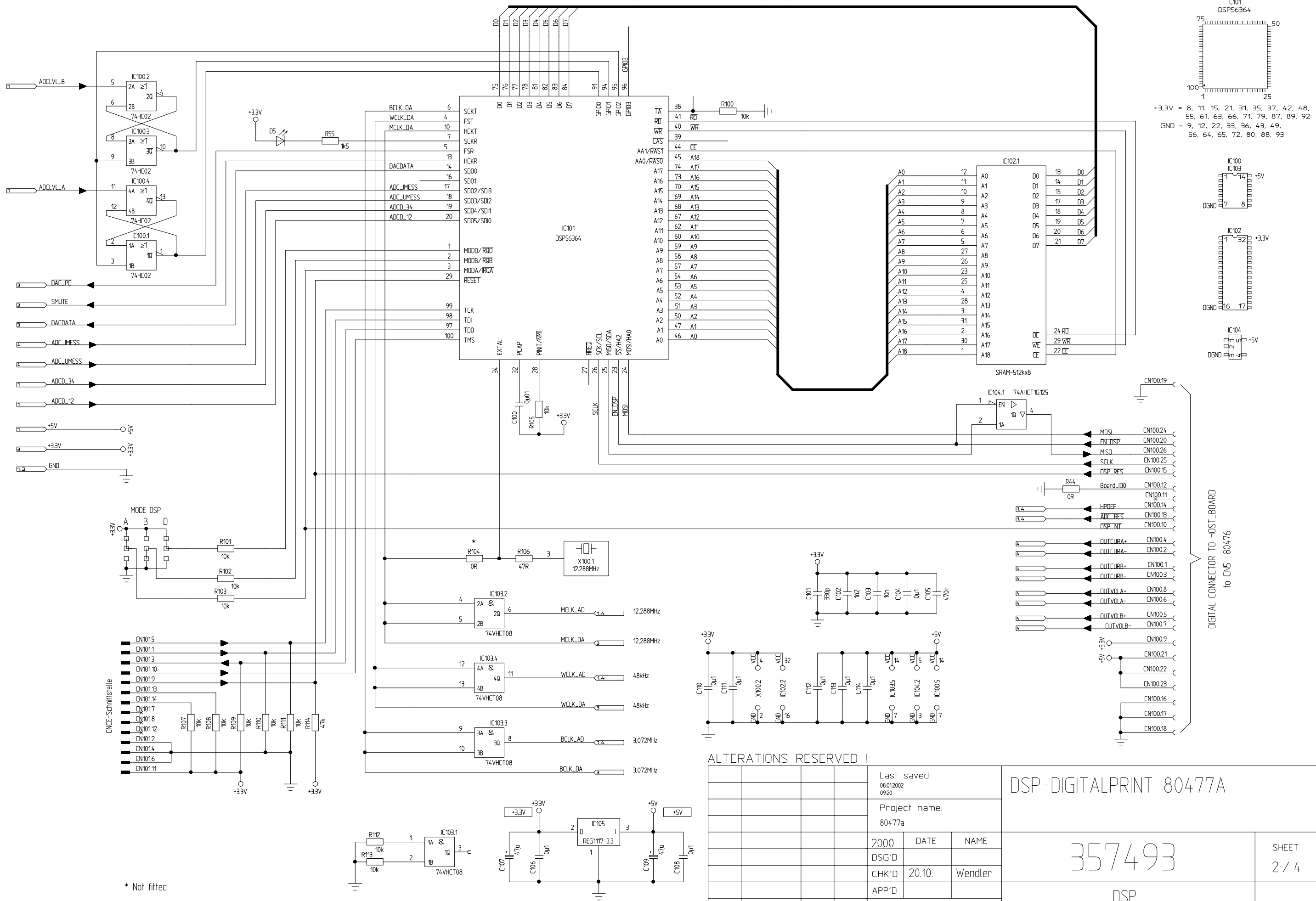
ANALOG CONNECTOR TO HOST-BOARD
to CN3 80476



Note 1: for full scale IC3 and IC6 AINR+ and AINR-
 [---] AC VOLTAGE 1000HZ MEASURED WITH VTVM
 [---] DC VOLTAGE MEASURED WITH VOLTMETER 100KOHM/V

ALTERATIONS RESERVED !

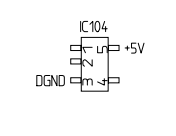
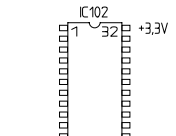
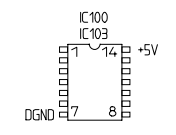
Last saved: 08.01.2002 09.20				DSP-DIGITALPRINT 80477A	
Project name: 80477a				357493	
2001	DATE	NAME	SHEET 1/4		
DSG'D	23.03.	Wendler	AD CONVERTER		
CHK'D			RCM-24		
APP'D			3-		
A	2001	10.10.	Wendler	EVI AUDIO	
ISSUE	REVISION	DATE	NAME		



IC101
DSP56364

75
100
1
25
50

+3.3V = 8, 11, 15, 21, 31, 35, 37, 42, 48,
55, 61, 63, 66, 71, 79, 87, 89, 92
GND = 9, 12, 22, 33, 36, 43, 49,
56, 64, 65, 72, 80, 88, 93



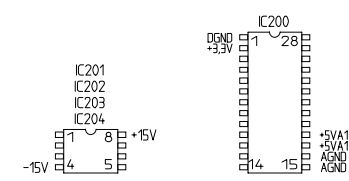
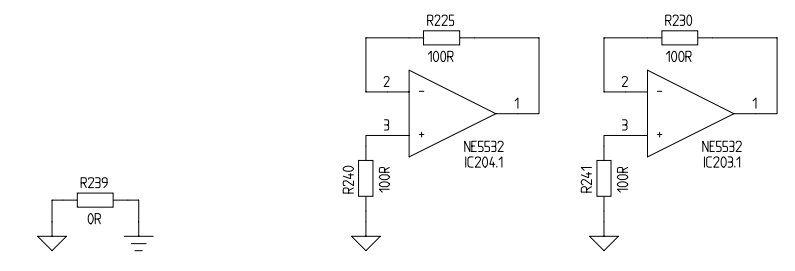
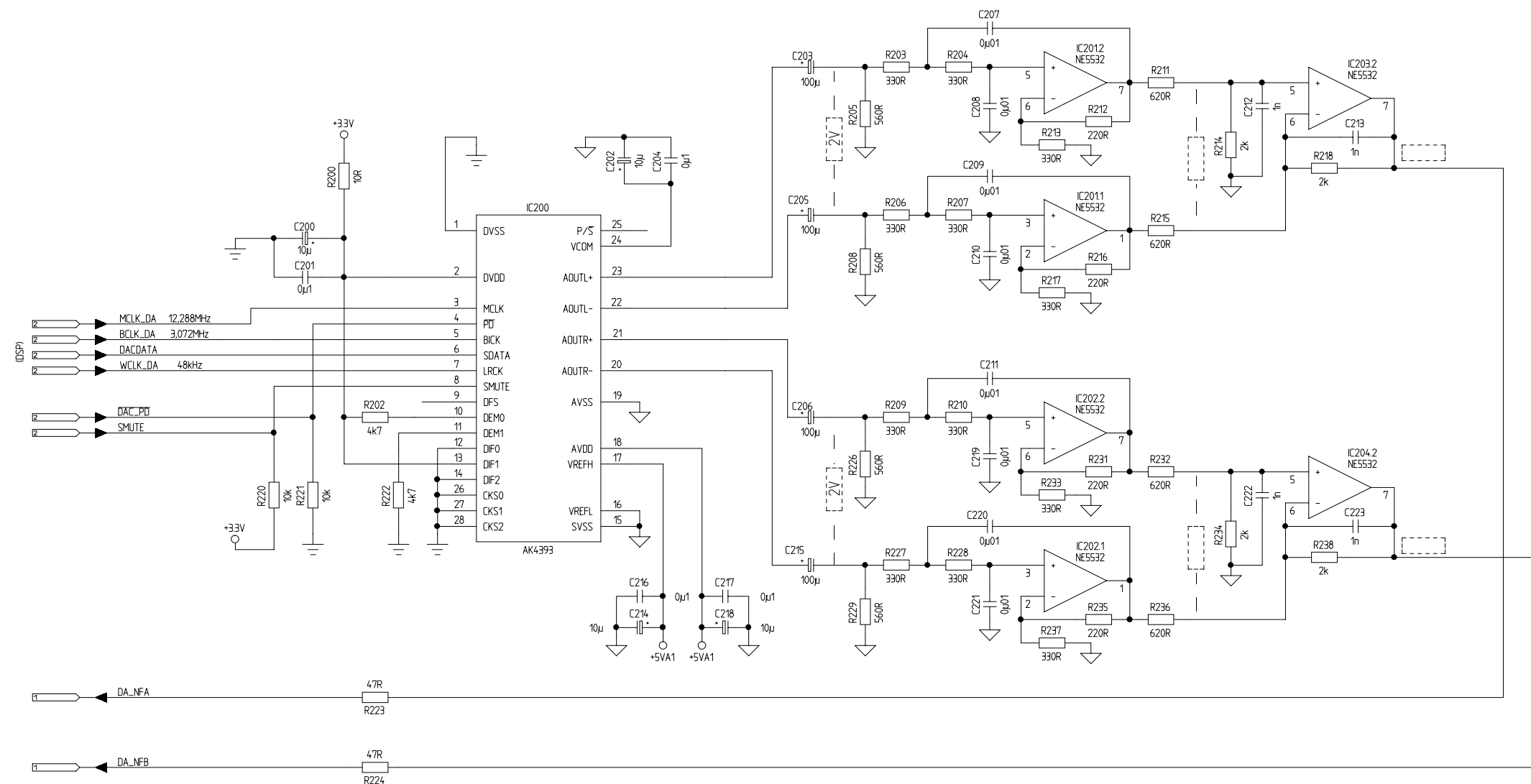
DIGITAL CONNECTOR TO HOST_BOARD
to CN5 80476

ALTERATIONS RESERVED !

Last saved: 08.01.2002 09:20		DSP-DIGITALPRINT 80477A	
Project name: 80477a		357493	
2000	DATE	NAME	SHEET 2 / 4
DSG'D		Wendler	
CHK'D	20.10.		
APP'D			
A	2001	10.10.	Wendler
ISSUE	REVISION	DATE	NAME
		EVI AUDIO	
		DSP	
		RCM-24	
		3-	

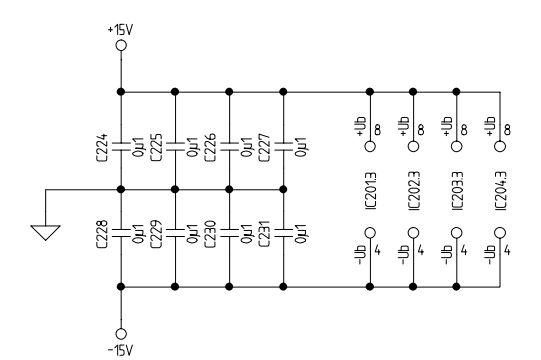
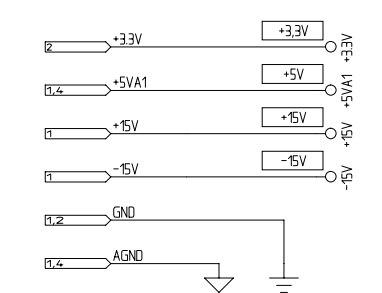
* Not fitted

DC VOLTAGE MEASURED WITH VOLTMETER 100KOHM/V



DC VOLTAGE MEASURED WITH VOLTMETER 100KOHM/V
 AC VOLTAGE 1000HZ MEASURED WITH VTVM

ALTERATIONS RESERVED !



Last saved:		08.01.2002 09.20	
Project name:		80477a	
2000	DATE	NAME	
DSG'D	05.10.	BLIEN	
CHK'D			
APP'D			
A	2001	10.10.	Wendler
ISSUE	REVISION	DATE	NAME
EVI AUDIO			

DSP-DIGITALPRINT 80477A

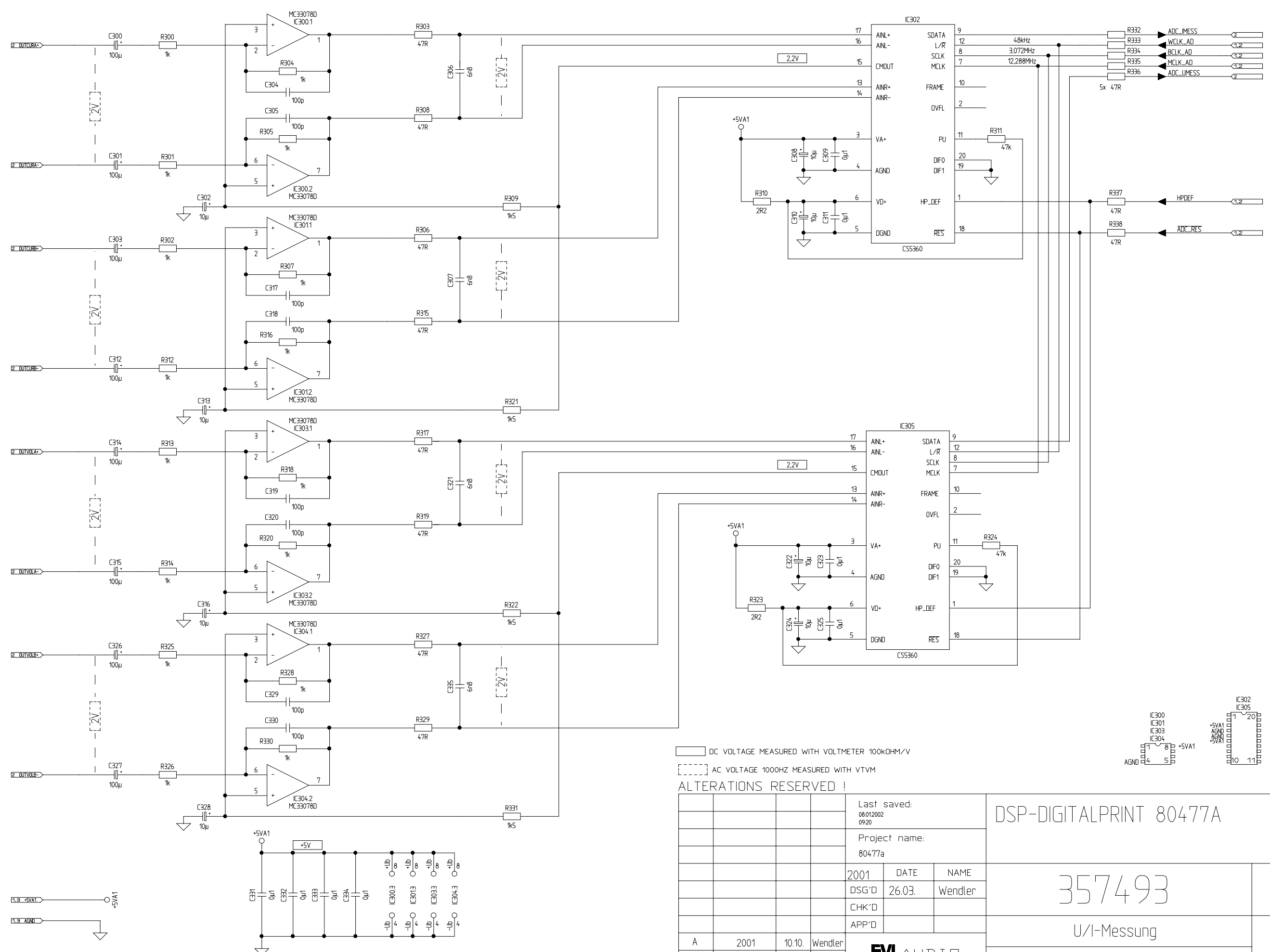
357493

DA WANDLER

RCM-24

SHEET
3 / 4

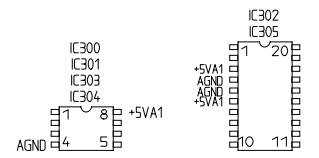
3-



DC VOLTAGE MEASURED WITH VOLTMETER 100KOHM/V

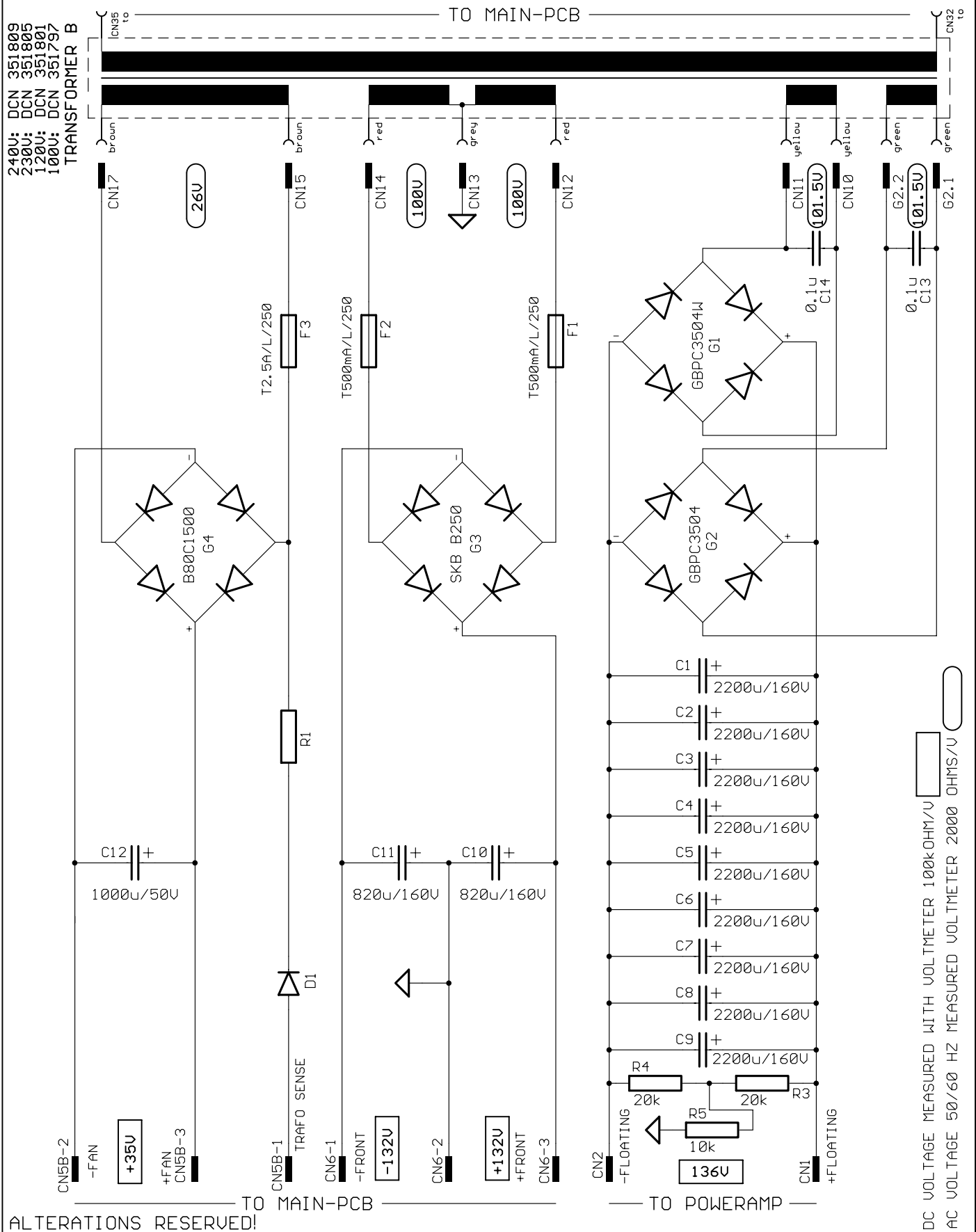
AC VOLTAGE 1000HZ MEASURED WITH VTVM

ALTERATIONS RESERVED !



Last saved: 08.01.2002 09:20				DSP-DIGITALPRINT 80477A	
Project name: 80477a					
2001	DATE	NAME	357493		SHEET 4 / 4
DSG'D	26.03	Wendler			
CHK'D					
APP'D			U/I-Messung		3-
EVI AUDIO			RCM-24		
A	2001	10.10.	Wendler		
ISSUE	REVISION	DATE	NAME		

240U: DCN 351809
 230U: DCN 351805
 120U: DCN 351801
 100U: DCN 351797
 TRANSFORMER B



ALTERATIONS RESERVED!

				Last modified: 12.07.2002 09:00:14
				Last plotted: 12.12.2002 09:37:53
			DATE	NAME
			DSG'D	J. Taffner
			CHK'D	15.11.95 Brandl M.
			APP'D	
EVI AUDIO				
ISSUE	REVISION	DATE	NAME	

85258

NETB P3000RL

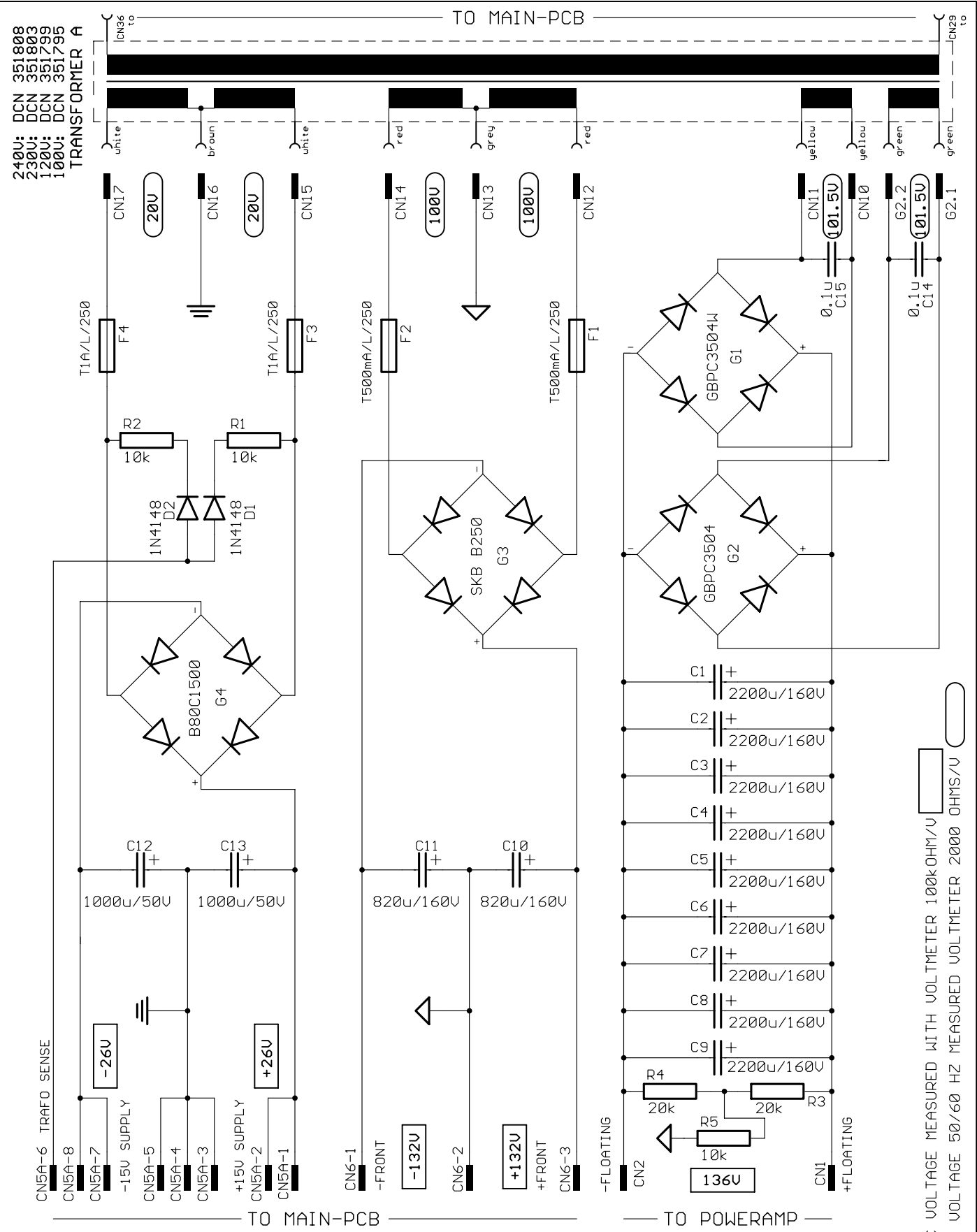
CIRCUIT DIAGRAM

351 812

85258

4-

DC VOLTAGE MEASURED WITH VOLTMETER 100kOHM/V
 AC VOLTAGE 50/60 HZ MEASURED VOLTMETER 2000 OHMS/V



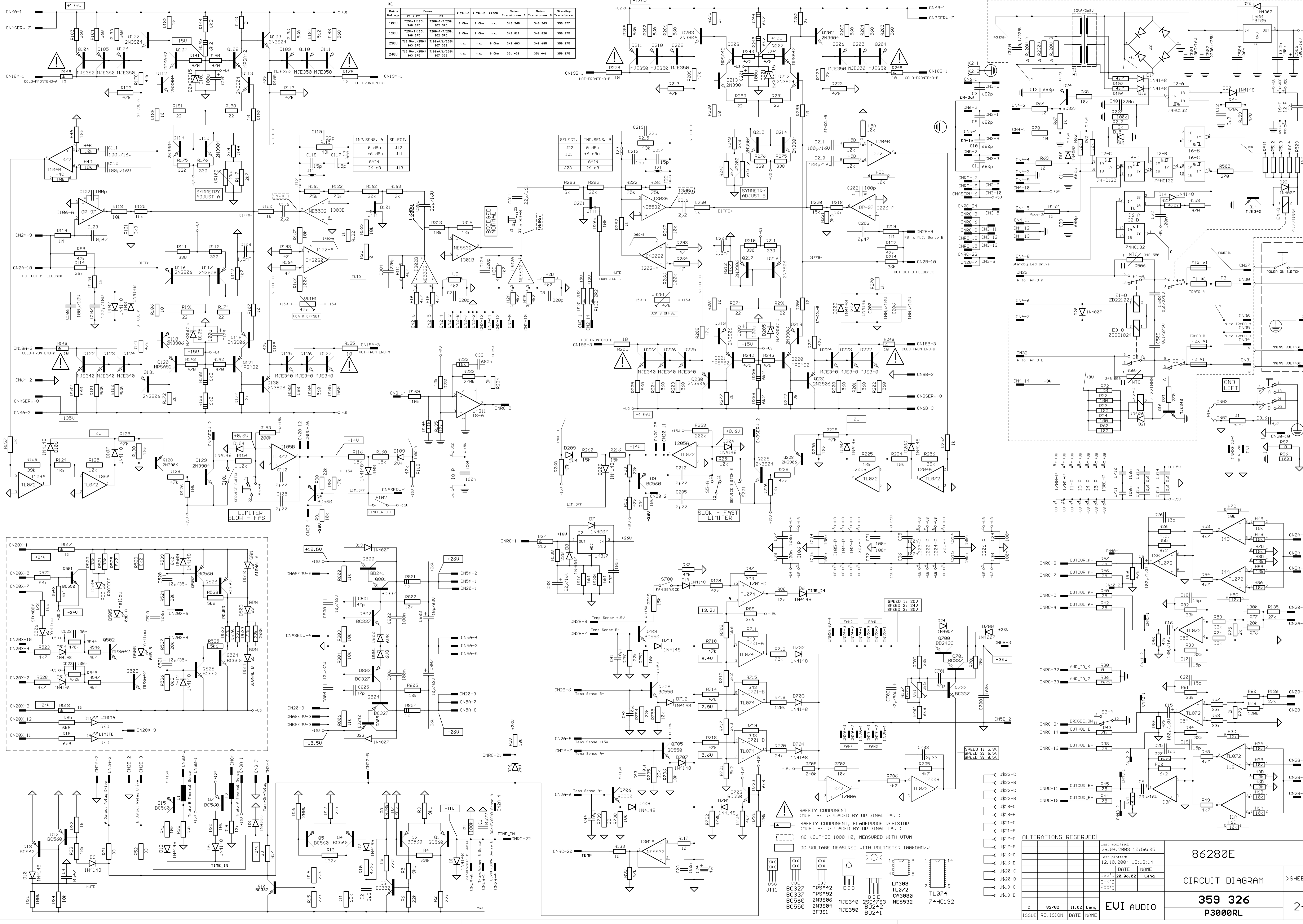
ALTERATIONS RESERVED!

ISSUE	REVISION	DATE	NAME

Last modified: 12.07.2002 08:51:50	
Last plotted: 12.12.2002 09:36:42	
	DATE
	NAME
DSG'D	J. Taffner
CHK'D	15.11.95 Brandl M.
APP'D	
EVI AUDIO	

85257	NETA P3000RL
CIRCUIT DIAGRAM	
351 811	4-
85257	

DC VOLTAGE MEASURED WITH VOLTMETER 100k OHM/V
AC VOLTAGE 50/60 HZ MEASURED VOLTMETER 2000 OHMS/V



Fuse	Value	Location	Notes
F1	1A	130A	130A/125V
F2	1A	130B	130B/125V
F3	1A	130C	130C/125V
F4	1A	130D	130D/125V
F5	1A	130E	130E/125V
F6	1A	130F	130F/125V
F7	1A	130G	130G/125V
F8	1A	130H	130H/125V
F9	1A	130I	130I/125V
F10	1A	130J	130J/125V
F11	1A	130K	130K/125V
F12	1A	130L	130L/125V
F13	1A	130M	130M/125V
F14	1A	130N	130N/125V
F15	1A	130O	130O/125V
F16	1A	130P	130P/125V
F17	1A	130Q	130Q/125V
F18	1A	130R	130R/125V
F19	1A	130S	130S/125V
F20	1A	130T	130T/125V
F21	1A	130U	130U/125V
F22	1A	130V	130V/125V
F23	1A	130W	130W/125V
F24	1A	130X	130X/125V
F25	1A	130Y	130Y/125V
F26	1A	130Z	130Z/125V

Issue	Revision	Date	Name	Lang	Part
C	02/02	11.02	Lang	EVI AUDIO	

Part	Value	Part	Value
U1	TL072	U11	TL072
U2	TL072	U12	TL072
U3	TL072	U13	TL072
U4	TL072	U14	TL072
U5	TL072	U15	TL072
U6	TL072	U16	TL072
U7	TL072	U17	TL072
U8	TL072	U18	TL072
U9	TL072	U19	TL072
U10	TL072	U20	TL072
U21	TL072	U21	TL072
U22	TL072	U22	TL072
U23	TL072	U23	TL072
U24	TL072	U24	TL072
U25	TL072	U25	TL072
U26	TL072	U26	TL072
U27	TL072	U27	TL072
U28	TL072	U28	TL072
U29	TL072	U29	TL072
U30	TL072	U30	TL072
U31	TL072	U31	TL072
U32	TL072	U32	TL072
U33	TL072	U33	TL072
U34	TL072	U34	TL072
U35	TL072	U35	TL072
U36	TL072	U36	TL072
U37	TL072	U37	TL072
U38	TL072	U38	TL072
U39	TL072	U39	TL072
U40	TL072	U40	TL072
U41	TL072	U41	TL072
U42	TL072	U42	TL072
U43	TL072	U43	TL072
U44	TL072	U44	TL072
U45	TL072	U45	TL072
U46	TL072	U46	TL072
U47	TL072	U47	TL072
U48	TL072	U48	TL072
U49	TL072	U49	TL072
U50	TL072	U50	TL072
U51	TL072	U51	TL072
U52	TL072	U52	TL072
U53	TL072	U53	TL072
U54	TL072	U54	TL072
U55	TL072	U55	TL072
U56	TL072	U56	TL072
U57	TL072	U57	TL072
U58	TL072	U58	TL072
U59	TL072	U59	TL072
U60	TL072	U60	TL072
U61	TL072	U61	TL072
U62	TL072	U62	TL072
U63	TL072	U63	TL072
U64	TL072	U64	TL072
U65	TL072	U65	TL072
U66	TL072	U66	TL072
U67	TL072	U67	TL072
U68	TL072	U68	TL072
U69	TL072	U69	TL072
U70	TL072	U70	TL072
U71	TL072	U71	TL072
U72	TL072	U72	TL072
U73	TL072	U73	TL072
U74	TL072	U74	TL072
U75	TL072	U75	TL072
U76	TL072	U76	TL072
U77	TL072	U77	TL072
U78	TL072	U78	TL072
U79	TL072	U79	TL072
U80	TL072	U80	TL072
U81	TL072	U81	TL072
U82	TL072	U82	TL072
U83	TL072	U83	TL072
U84	TL072	U84	TL072
U85	TL072	U85	TL072
U86	TL072	U86	TL072
U87	TL072	U87	TL072
U88	TL072	U88	TL072
U89	TL072	U89	TL072
U90	TL072	U90	TL072
U91	TL072	U91	TL072
U92	TL072	U92	TL072
U93	TL072	U93	TL072
U94	TL072	U94	TL072
U95	TL072	U95	TL072
U96	TL072	U96	TL072
U97	TL072	U97	TL072
U98	TL072	U98	TL072
U99	TL072	U99	TL072
U100	TL072	U100	TL072

86280E

CIRCUIT DIAGRAM

359 326
P3000RL

>SHEET#

2-

