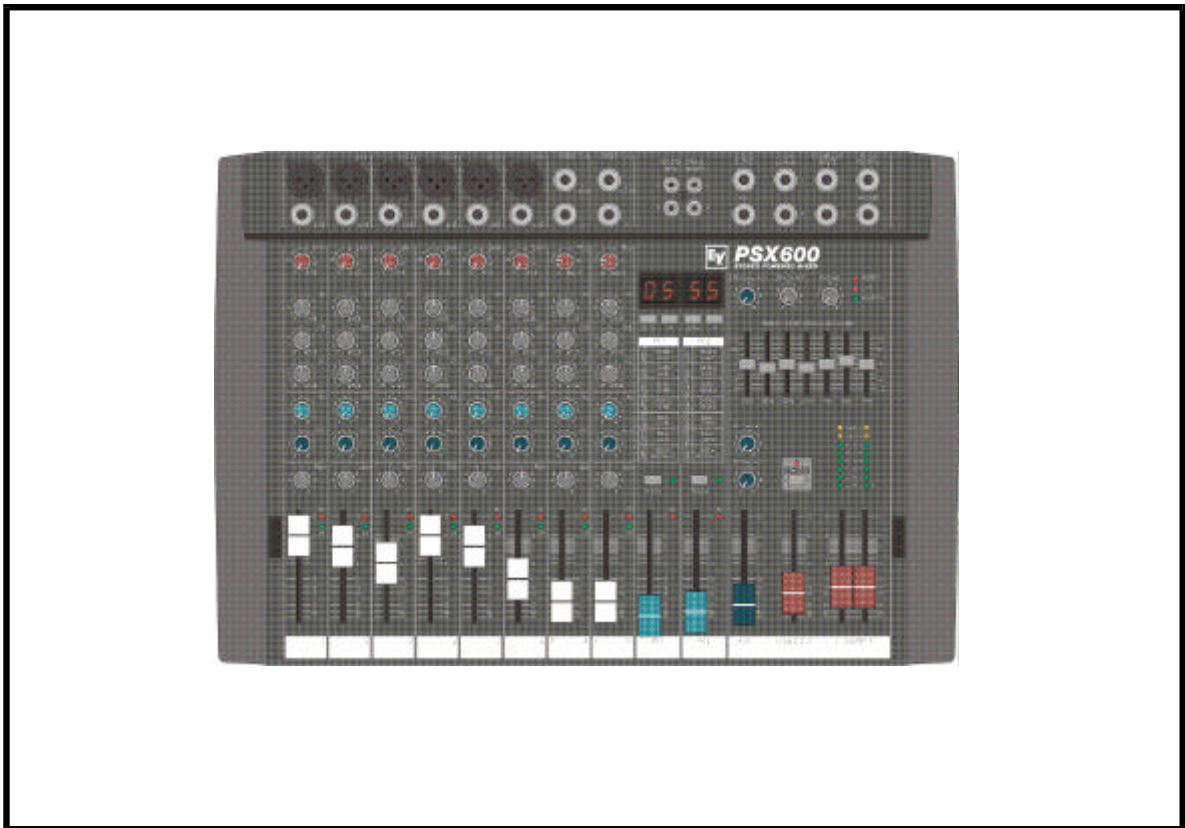




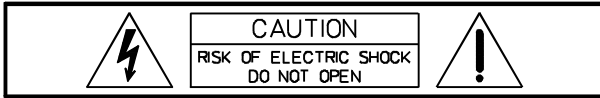
Electro-Voice[®]

PSX600 STEREO POWERED MIXER

SERVICE MANUAL



IMPORTANT SAFETY INSTRUCTIONS



WARNING: TO REDUCE THE RISK OF FIRE OR ELECTRIC SHOCK,
DO NOT EXPOSE THIS APPLIANCE TO RAIN OR MOISTURE.
AVIS: RISQUÉ DE CHOC ELECTRIQUE. NE PAS OUVRIR.



The lightning flash with arrowhead symbol, within an equilateral triangle is intended to alert the user to the presence of uninsulated "dangerous voltage" within the product's enclosure that may be of sufficient magnitude to constitute a risk of electric shock to persons.



The exclamation point within an equilateral triangle is intended to alert the user to the presence of important operating and maintenance (servicing) instructions in the literature accompanying the appliance.

1. Read these instructions.
2. Keep these instructions.
3. Heed all warnings.
4. Follow all instructions.
5. Do not use this apparatus near water.
6. Clean only with a damp cloth.
7. Do not block any of the ventilation openings.
Install in accordance with the manufactures instructions.
8. Do not install near any heat sources such as radiators, heat registers, stoves, or other apparatus that produce heat.
9. Only use attachments/accessories specified by the manufacturer.
10. Refer all servicing to qualified service personnel. Servicing is required when the apparatus has been damaged in any way, such as power-supply cord or plug is damaged, liquid has been spilled or objects have fallen into the apparatus, the apparatus has been exposed to rain or moisture, does not operate normally, or has been dropped.

For US and CANADA only:

Do not defeat the safety purpose of the grounding-type plug. A grounding type plug has two blades and a third grounding prong. The wide blade or the third prong are provided for your safety. When the provided plug does not fit into your outlet, consult an electrician for replacement of the obsolete outlet.

IMPORTANT SERVICE INSTRUCTIONS

CAUTION: These servicing instructions are for use by qualified personnel only. To reduce the risk of electric shock, do not perform any servicing other than that contained in the Operating Instructions unless you are qualified to do so. Refer all servicing to qualified service personnel.

1. Security regulations as stated in the EN 60065 (VDE 0860 / IEC 65) and the CSA E65 - 94 have to be obeyed when servicing the appliance.
2. Use of a mains separator transformer is mandatory during maintenance while the appliance is opened, needs to be operated and is connected to the mains
3. Switch off the power before retrofitting any extensions, changing the mains voltage or the output voltage.
4. The minimum distance between parts carrying mains voltage and any accessible metal piece (metal enclosure), respectively between the mains poles has to be **3 mm** and needs to be minded at all times.
The minimum distance between parts carrying mains voltage and any switches or breakers that are not connected to the mains (secondary parts) has to be **6 mm** and needs to be minded at all times.
5. Replacing special components that are marked in the circuit diagram using the security symbol (Note) is only permissible when using original parts.
6. Altering the circuitry without prior consent or advice is not legitimate.
7. Any work security regulations that are applicable at the location where the appliance is being serviced have to be strictly obeyed. This applies also to any regulations about the work place itself.
8. All instructions concerning the handling of **MOS** - circuits have to be observed.

Note:  **SAFETY COMPONENT (HAS TO BE REPLACED WITH ORIGINAL PART ONLY)**

WARRANTY (Limited)

Electro-Voice products are guaranteed against malfunction due to defects in materials or workmanship for a specified period, as noted in the individual product-line statement(s) below, or in the individual product data sheet or owner's manual, beginning with the date of original purchase. If such malfunction occurs during the specified period, the product will be repaired or replaced (at our option) without charge. The product will be returned to the customer prepaid.

Exclusions and Limitations: The Limited Warranty does not apply to: (a) exterior finish or appearance; (b) certain specific items described in the individual product-line statement(s) below, or in the individual product data sheet or owner's manual; (c) Malfunction resulting from use or operation of the product other than as specified in the product data sheet or owner's manual; (d): malfunction resulting from misuse or abuse of the product; or (e): malfunction occurring at any time after repairs have been made to the product by anyone other than Electro-Voice or any of its authorized service representatives.

Obtaining Warranty Service: To obtain warranty service, a customer must deliver the product, prepaid, to Electro-Voice or any of its authorized service representatives together with proof of purchase of the product in the form of a bill of sale or receipted invoice. A list of authorized service representatives is available from Electro-Voice at 600 Cecil Street, Buchanan, MI 49107 (616-695-6831) and/or Electro-Voice West at 9130 Glenoaks Boulevard, Sun Valley, CA 91532 (213-875-1900).

Incidental and Consequential Damages Excluded: Product repair or replacement and return to the customer are the only remedies provided to the customer. Electro-Voice shall not be liable for any incidental or consequential damages including, without limitation, injury to persons or property or loss of use. Some states do not allow the exclusion or limitation of incidental or consequential damages so the above limitation or exclusion may not apply to you. **Other Rights:** This warranty gives you specific legal rights, and you may have other rights which vary from state to state.

Electro-Voice Electronics are guaranteed against malfunction due to defects in materials or workmanship for a period of three (3) years from the date of original purchase. Additional details are included in the Uniform Limited Warranty Statement.

Specifications subject to change without notice.

Electro-Voice®

600 Cecil Street, Buchanan, Michigan 49107, Phone 616/695-6831, Fax: 616/695-1304

TELEX/EVI Audio Canada, 705 Progress Ave. Unit 46 Toronto, Ontario, M1H 2x1, Canada, Phone: 800/881-1685, Fax: 877/522-2242

TELEX Communications A.G., Keltenstrasse 11, CH-2563 IPSACH, Switzerland, Phone: 011-41/32-51-6833, Fax: 011-41/32-51-1221

EVI Audio Deutschland GmbH, Hirschberger Ring 45, D-94315, Straubing, Germany, Phone: 011-49/9421-7060, Fax: 011-49/9421-706265

EVI Audio France S.A., Parc de Courcerin-Allee Lech Walesa, Lognes, f-77185 Marne La Vallee, France, Phone: 011-33/1-6480-0090, Fax: 011-33/1-6006-5103

EVI Audio Japan Ltd., 2-5-60 Izumi, Suginami-ku, Tokyo, Japan 168, Phone: 011-81/3-3325-7900, Fax: 011-81/3-3325-7789

EVI Audio (Aust.) Pty., Unit 24, Block C, Slough Business Park, Slough Ave., Silverwater, N.S.W 2141, Australia, Phone 011-61/2-648-3455,

Fax: 011-61/2-648-5585

EVI Audio (Hong Kong) Limited, Unit E & F, 21 /F., Luk Hop Industrial Bldg., 8 Luk Hop St., San Po Kong, Kowloon, Hong Kong, Phone: 011-852/351-3628,

Fax: 011 -852/351-3329

Technical Specifications PSX600 Mixing desk in rated condition, Unity Gain (MIC Gain 20 dB), all faders position 0 dB, all pots in mid position, Master fader + 6dB, amplifier rated output power into 8 ohms, one channel driven, unless otherwise specified.

Maximum Midband Output Power , 1 kHz, THD 1%		Input Impedances	
into 4	2 x 340 W	MIC	1.8 k Ω
into 8	2 x 200 W	2 Track Return	10 k Ω
Rated Output Power , 20 Hz ... 20 kHz, THD 0.2%		All other inputs	> 15 k Ω
into 4	2 x 300 W	Output Impedances	
into 8	2 x 150 W	Record Send	1 k Ω
Maximum Output Voltage of power amplifier, no load	43 Vrms	Phones	47 Ω
THD at 1kHz, MBW=80kHz		All other outputs	75 Ω
MIC input to Main L/R output, +16 dBu	< 0.006%	Equivalent Input Noise , MIC Input, A-weighted, 150 Ω	-130 dBu
Power amplifier input to Speaker L/R output	< 0.08%	Noise , Channel inputs to Main L/R outputs, A-weighted	
DIM 30 , power amplifier	< 0.03%	Master fader down	-90 dBu
IMD-SMPTE , power amplifier, 60Hz, 7 kHz	< 0.2%	Master fader 0 dB, Channel fader down	-89 dBu
Frequency Response , -3dB ref. 1kHz		Master fader 0 dB, Channel fader 0 dB, Channel gain unity	-83 dBu
Any input to any Mixer output	15Hz ... 60kHz	Signal/Noise-Ratio , power amplifier, A-weighted	105 dB
Any input to Speaker L/R output	30Hz ... 40kHz	Equalization	
Crosstalk , 1kHz		LO Shelving	\pm 15 dB / 60 Hz
Fader and AUX-Send attenuation	> 80 dB	MID Peaking	\pm 12 dB / 2.4 kHz
Channel to channel	> 70 dB	HI Shelving	\pm 15 dB / 12 kHz
CMRR , MIC input, 1kHz	> 80 dB	Master EQ, 2x7-band, Stereo	\pm 10 dB
Input Sensitivity , all level controls in max. position		Phantom Power , all MIC inputs	+24 Vdc
MIC input	-74 dBu (155 μ V)	Power Requirements , factory preset, 50Hz....60Hz	120V
LINE Input (Mono)	-54 dBu (1.55 mV)	Power Consumption at 1/8 maximum output power, 4 Ω	450 W
LINE Input (Stereo)	-34 dBu (15.5 mV)	Dimensions , (WxHxD), mm	455,5 x 175,8 x 340,6
Power Amplifier Input	+6 dBu (1.55 V)	Weight , including lid	13 kg
Maximum Level , mixing desk			
MIC inputs	+ 11 dBu	Optional	
Line inputs	+ 30 dBu	Footswitch FS11	110 693
All other inputs	+ 20 dBu		
Record Send output	+ 14 dBu		
All other outputs	+ 20 dBu		
All other outputs	+ 20 dBu		



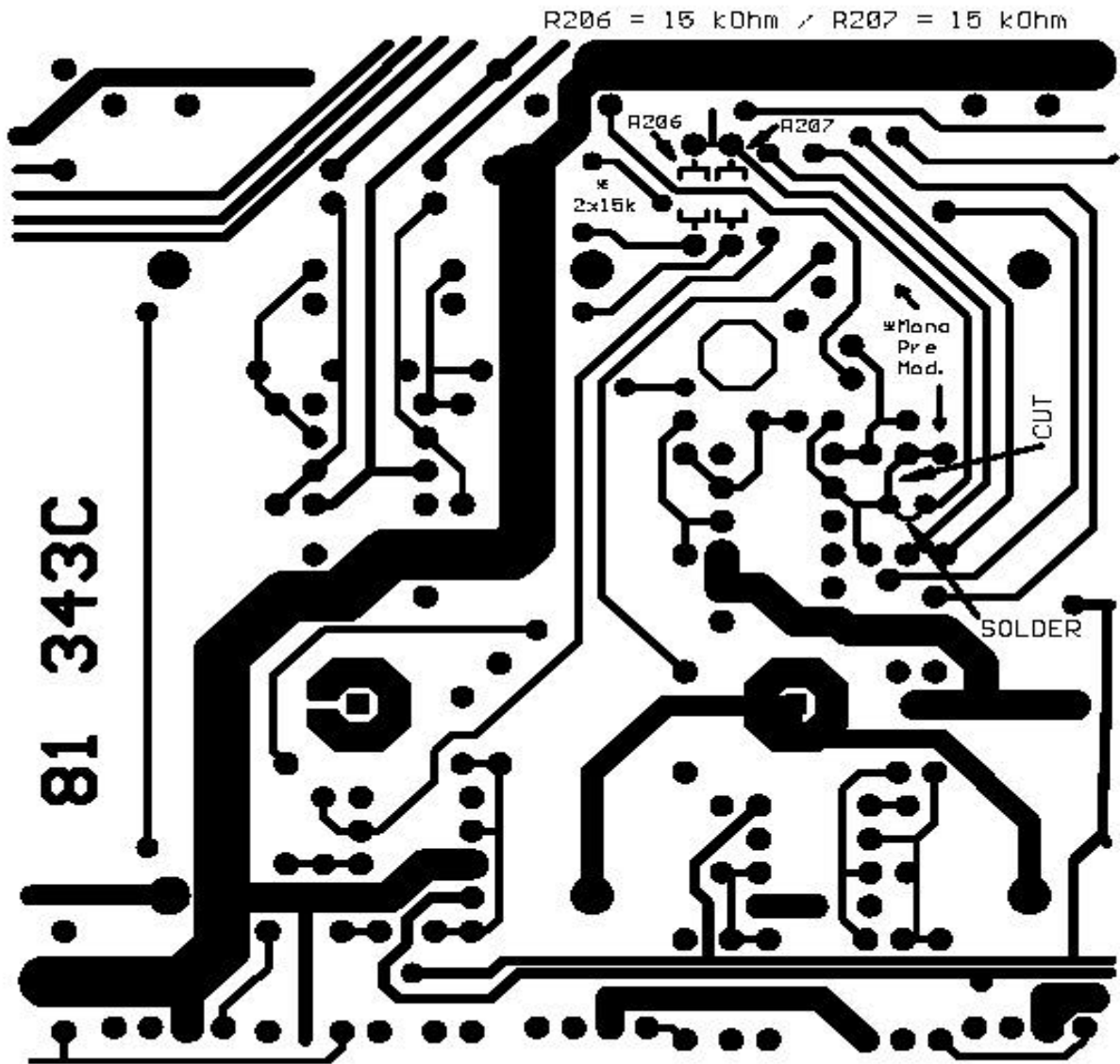
Service Instruction

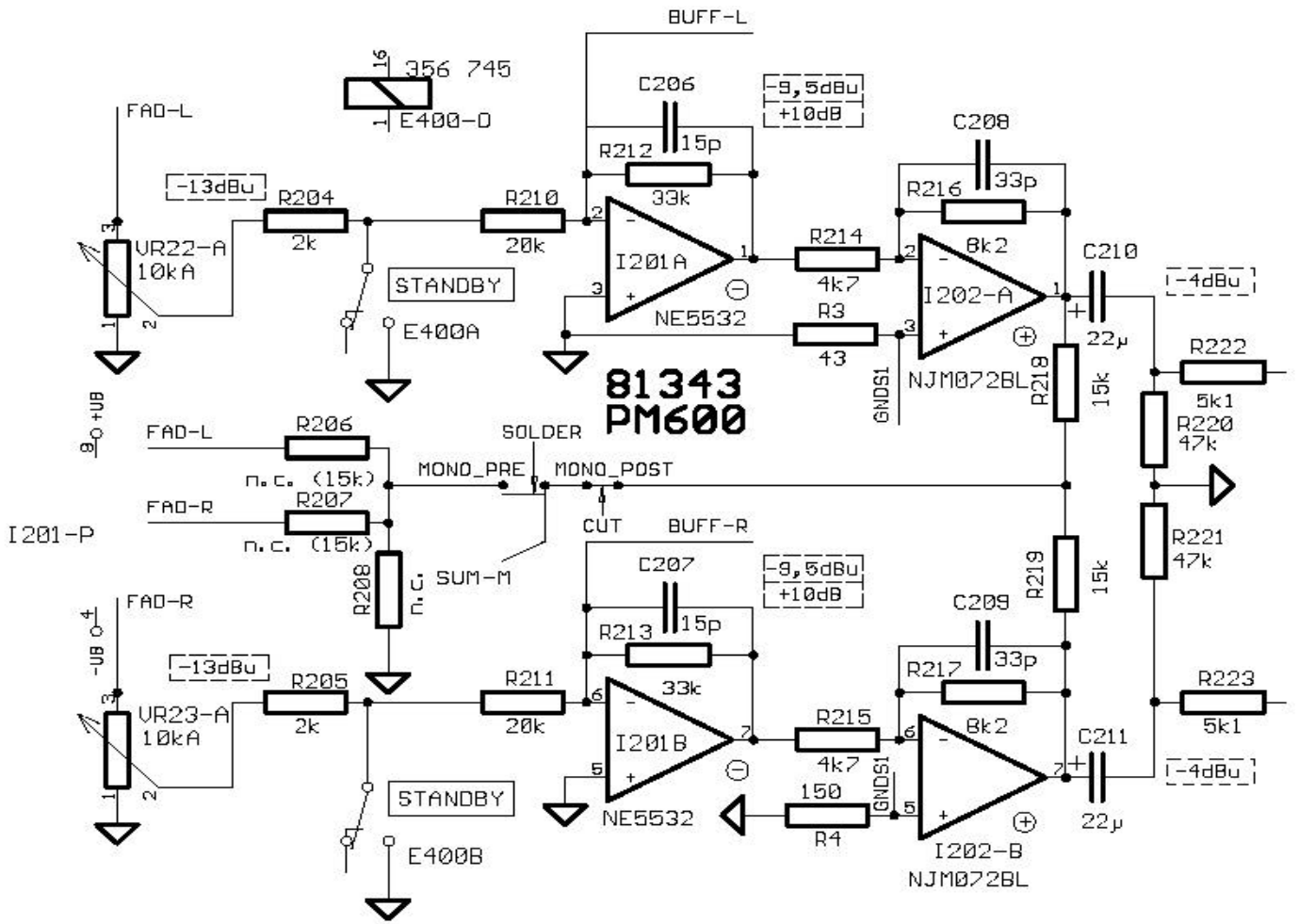
Product: PSX 600

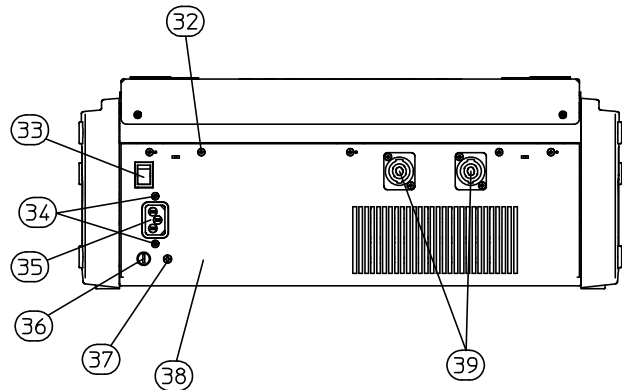
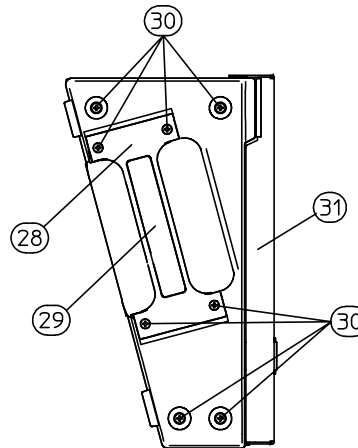
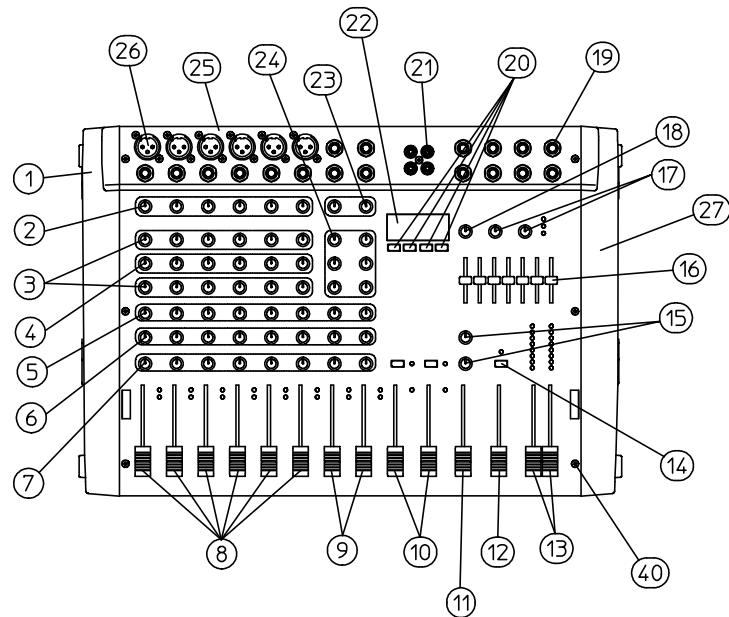
Title: Alteration of signal routing: Mono-Output-Signal from post-master-fader to pre-master-fader

To do this alteration, there are to fit 2 resistors and there are to cut one track and to reconnect two solder pads.

1. Disconnect the mains voltage
2. Disassemble the mixing console from the bottom chassis (= power amp & power supply)
3. There is no need to remove the pc-boards from the front panel. The alteration can made from the back side of the pc-board.
4. Attached you will find a small spot of the drawing of the tracks on the back side of the master pcb 81343B. There we have marked the position of two resistors: R206 and R207 (values: 15 kohm). You have to fit these two resistors from the back side of the pcb.
5. Now you have to reroute the signal path. Beside the resistors R218/219 we have marked with an arrow a piece of track. These track you have to cut. For the connection marked "SOLDER" you have to solder a short piece of wire between the two solder pads. For cutting use a sharp knife or a small milling cutter.
6. Re-assemble the unit.





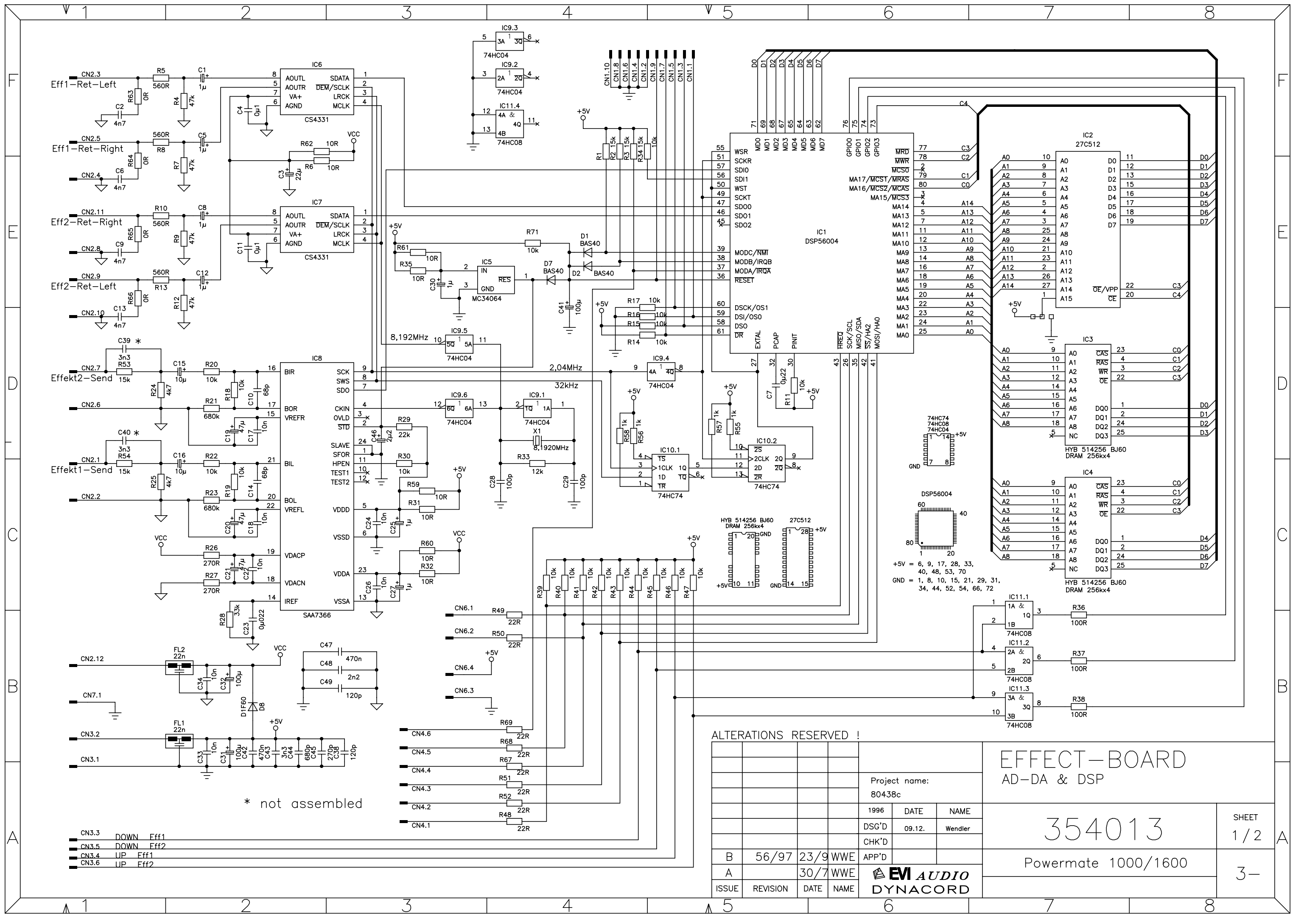


POS.	DESCRIPTION	PART.NO.
1	SIDE WING LEFT	356 237
2	KNOB	353 905
	POTENTIOMETER	352 323
3	KNOB	353 909
	POTENTIOMETER	352 324
4	KNOB	353 909
	POTENTIOMETER	352 324
5	KNOB	353 907
	POTENTIOMETER	352 328
6	KNOB	353 906
	POTENTIOMETER	352 328
7	KNOB	353 909
	POTENTIOMETER	352 327
8	KNOB	355 153
	FADER	354 262
9	KNOB	355 153
	FADER	354 263
10	KNOB	355 155
	FADER	354 263
11	KNOB	355 154
	FADER	354 262
12	KNOB	355 156
	FADER	354 262
13	KNOB	355 156
	FADER	354 414
14	KNOB	353 879
	SWITCH	354 006
15	KNOB	353 906
	POTENTIOMETER	352 328
16	KNOB	353 648
	FADER	354 930
17	KNOB	353 909
	POTENTIOMETER	352 329
18	KNOB	353 906
	POTENTIOMETER	352 328
19	PHONE JACK	354 001
20	KNOB	353 879
	KEY	354 008
21	CINCH CONNECTOR	354 002
	SCREW 3x8	344 229
22	ACRYL WINDOW	353 911
23	KNOB	353 905
	POTENTIOMETER	352 330
24	KNOB	353 909
	POTENTIOMETER	352 331
25	FRONT PANEL	358 110
26	XLR CONNECTOR	354 000
	SCREW 3x8	344 229

POS.	DESCRIPTION	PART.NO.
27	SIDE WING RIGHT	356 238
28	HANDLE	355 513
29	LABEL	358 216
30	SCREW M4x40	355 027
31	COVER COMPLETE	359 762
	COVER PANEL	358 112
	LATCH	355 151
	PLASTIC NIPPLE	355 152
	SCREW M3x6	352 822
32	SCREW M3x6	334 989
33	MAINS SWITCH	354 927
34	RIVET	342 653
35	MAINS CONNECTOR	338 835
36	FUSE-HOLDER	328 390
	FUSE-CARRIER	328 391
	FUSE T12,5A	343 375
37	SCREW 3.5x9.5	304 251
38	CHASSIS	358 111
39	SPEAKON CONNECTOR	341 343
	SCREW M3x8	353 396
40	SCREW M3x6	352 822

Ohne unsere Genehmigung darf diese Zeichnung weder vervielfältigt, noch dritten Personen oder anderen Firmen zugänglich gemacht werden (siehe einschlägige Gesetze)

				Freinahtoleranz			Werkstoff		
				2000	Tag	Name			
				Bearb.	28.07.	E. Flexeder			
				Gepr.	29.3.01	J. Stadler			
				Stand	29.3.01	E. Flexeder			
				EM AUDIO DYNACORD			SERVICE-INFORMATION		Maßstab
							359 761		1:4
a	Korrektur	29.3.	flex						3-
Ausgabe	Änderung	Tag	Name				PSX 600		



* not assembled

ALTERATIONS RESERVED !

Project name: 80438c			
1996	DATE	NAME	
DSG'D	09.12.	Wendler	
CHK'D			
B	56/97	23/9	WWE
A		30/7	WWE
ISSUE	REVISION	DATE	NAME

EFFECT-BOARD AD-DA & DSP

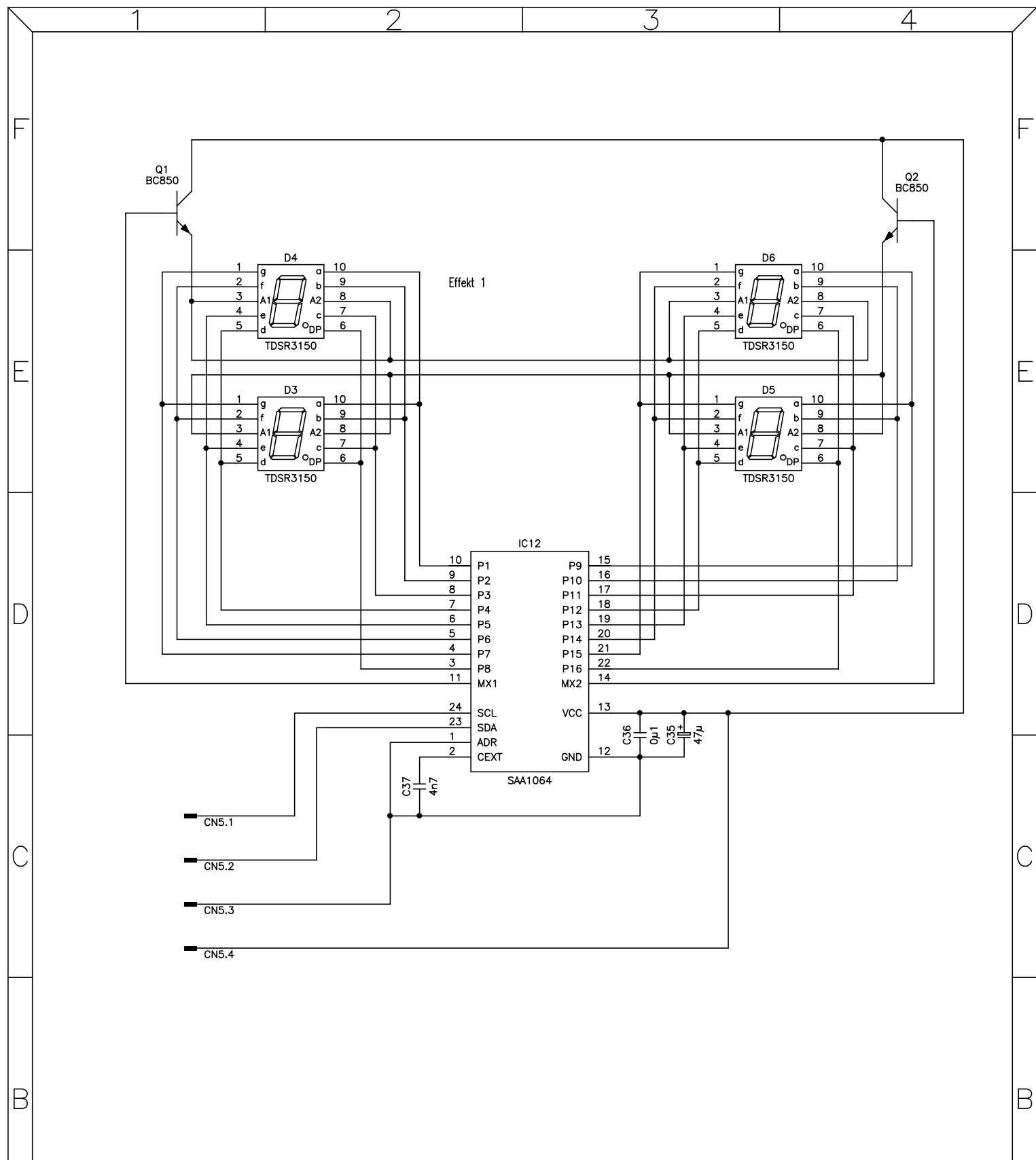
354013

Powermate 1000/1600

SHEET
1/2

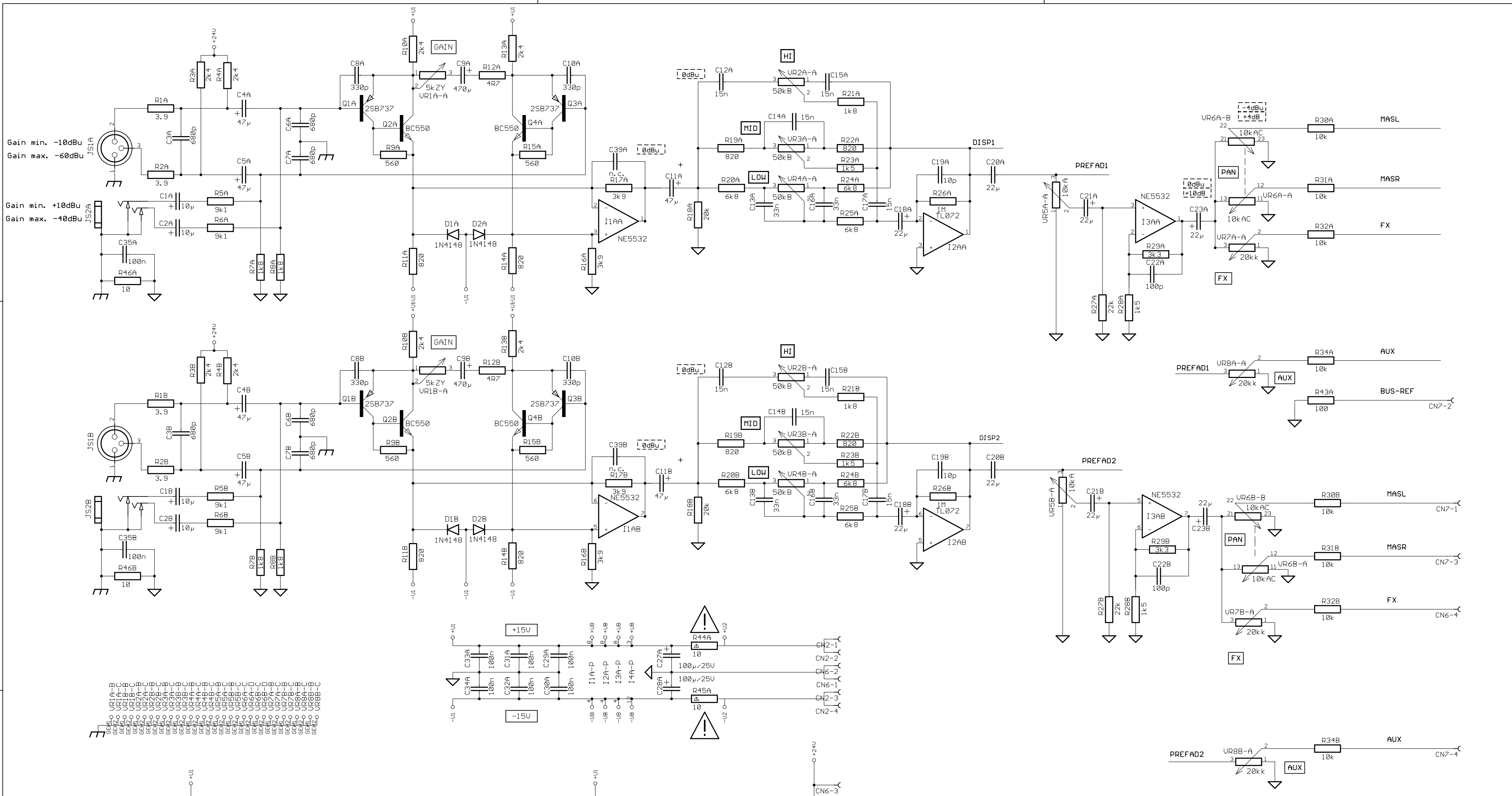
3-



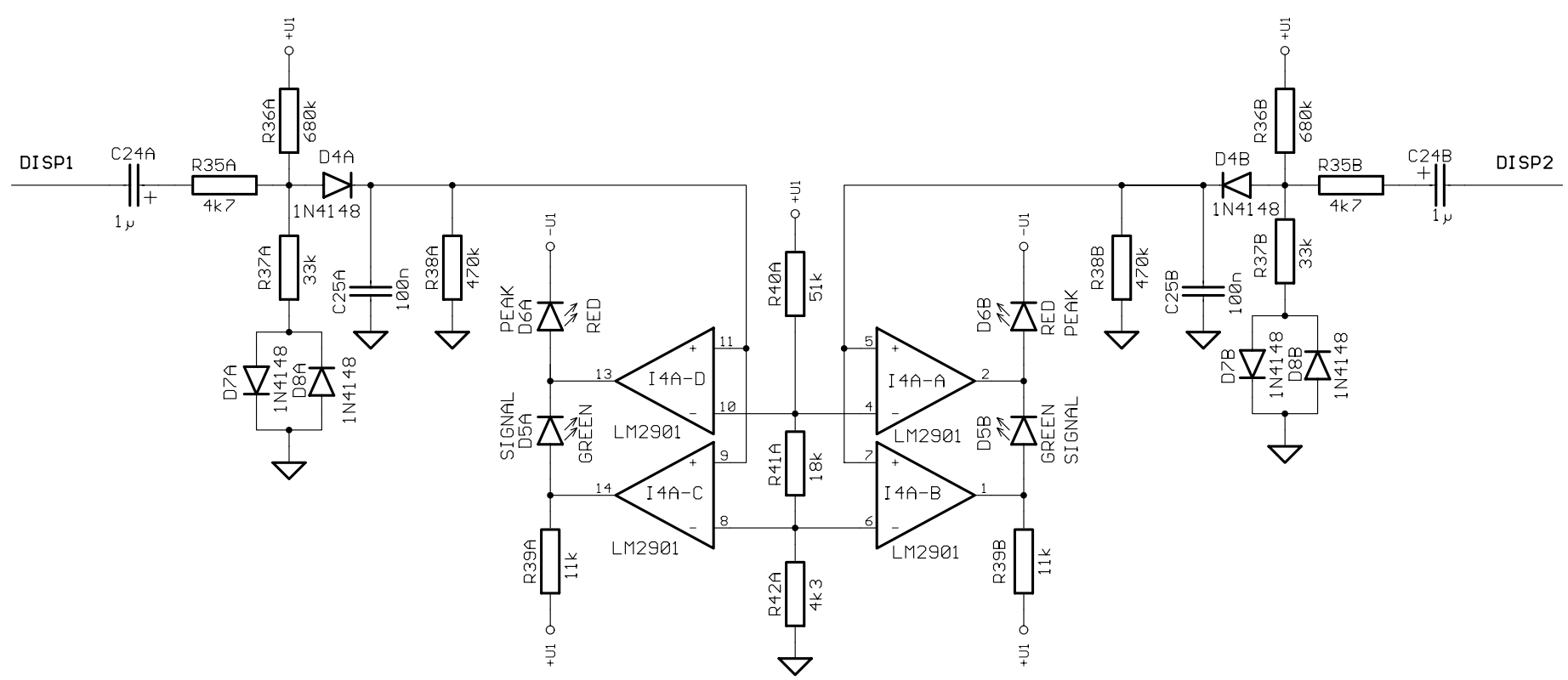


ALTERATIONS RESERVED !

				Project name: 80438c		EFFECT-BOARD Display				
				1997	DATE	NAME	354015		SHEET 2/2	
				DSG'D	02.04.	Wendler				
				CHK'D						
				APP'D						
				Powermate 1000/1600				4-		
ISSUE	REVISION	DATE	NAME					EVI AUDIO DYNACORD		
1										



80 81 82 83 84 85 86 87 88 89 90 91 92 93 94 95 96 97 98 99 100 101 102 103 104 105 106 107 108 109 110 111 112 113 114 115 116 117 118 119 120 121 122 123 124 125 126 127 128 129 130 131 132 133 134 135 136 137 138 139 140 141 142 143 144 145 146 147 148 149 150 151 152 153 154 155 156 157 158 159 160 161 162 163 164 165 166 167 168 169 170 171 172 173 174 175 176 177 178 179 180 181 182 183 184 185 186 187 188 189 190 191 192 193 194 195 196 197 198 199 200 201 202 203 204 205 206 207 208 209 210 211 212 213 214 215 216 217 218 219 220 221 222 223 224 225 226 227 228 229 230 231 232 233 234 235 236 237 238 239 240 241 242 243 244 245 246 247 248 249 250 251 252 253 254 255 256 257 258 259 260 261 262 263 264 265 266 267 268 269 270 271 272 273 274 275 276 277 278 279 280 281 282 283 284 285 286 287 288 289 290 291 292 293 294 295 296 297 298 299 300 301 302 303 304 305 306 307 308 309 310 311 312 313 314 315 316 317 318 319 320 321 322 323 324 325 326 327 328 329 330 331 332 333 334 335 336 337 338 339 340 341 342 343 344 345 346 347 348 349 350 351 352 353 354 355 356 357 358 359 360 361 362 363 364 365 366 367 368 369 370 371 372 373 374 375 376 377 378 379 380 381 382 383 384 385 386 387 388 389 390 391 392 393 394 395 396 397 398 399 400 401 402 403 404 405 406 407 408 409 410 411 412 413 414 415 416 417 418 419 420 421 422 423 424 425 426 427 428 429 430 431 432 433 434 435 436 437 438 439 440 441 442 443 444 445 446 447 448 449 450 451 452 453 454 455 456 457 458 459 460 461 462 463 464 465 466 467 468 469 470 471 472 473 474 475 476 477 478 479 480 481 482 483 484 485 486 487 488 489 490 491 492 493 494 495 496 497 498 499 500

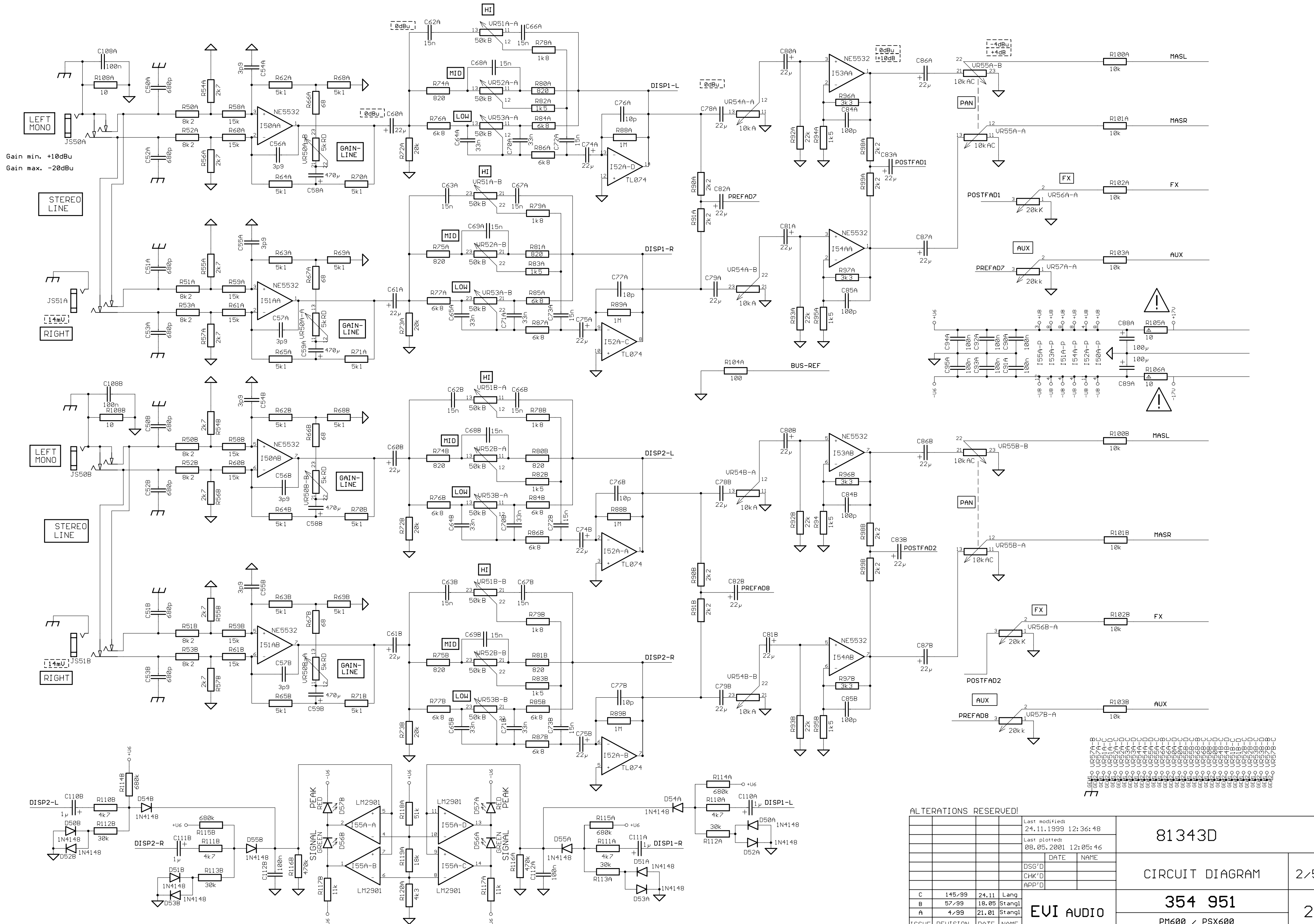


ALTERATIONS RESERVED!			
ISSUE	REVISION	DATE	NAME
C	145/99	24.11	Lang
B	57/99	18.05	Stangl
A	4/99	21.01	Stangl

Last modified:	24.11.1999 12:36:48		
Last plotted:	08.05.2001 12:05:30		
DATE		NAME	
DSG'D			
CHK'D			
APP'D			

81343D	
CIRCUIT DIAGRAM	1/5
354 951	
PM600 / PSX600	

EVI AUDIO	2-
-----------	----



ALTERATIONS RESERVED!

				Last modified: 24.11.1999 12:36:48
				Last plotted: 08.05.2001 12:05:46
			DATE	NAME
C	145/99	24.11	Lang	
B	57/99	18.05	Stangl	
A	4/99	21.01	Stangl	
ISSUE	REVISION	DATE	NAME	

81343D

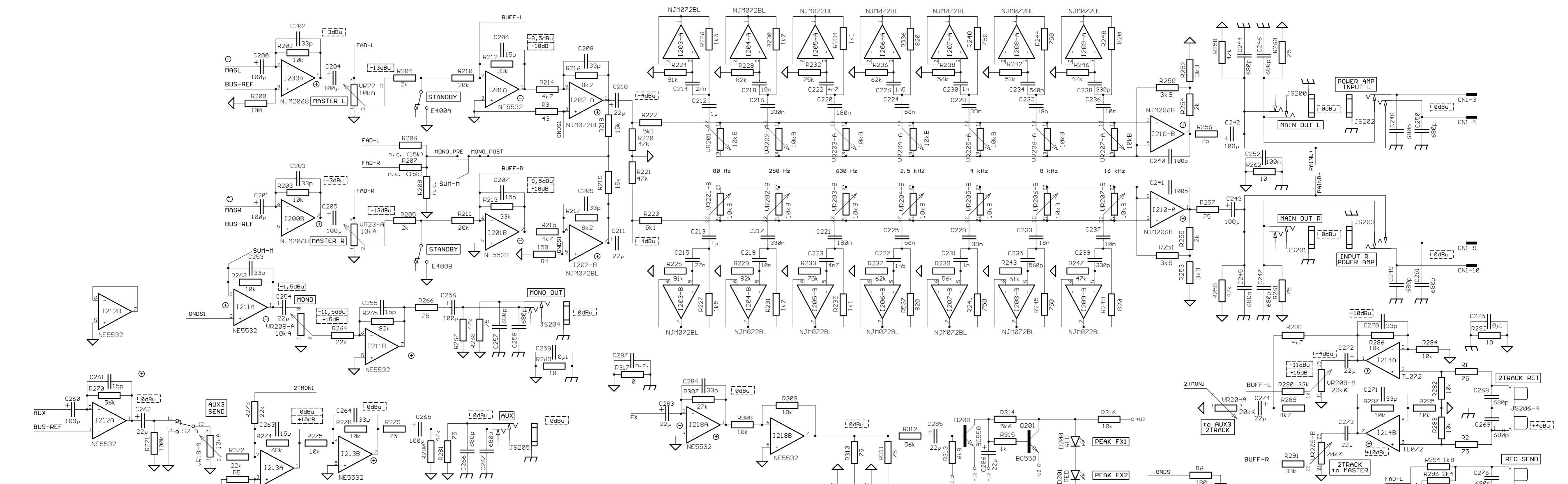
CIRCUIT DIAGRAM

354 951

PM600 / PSX600

2/5

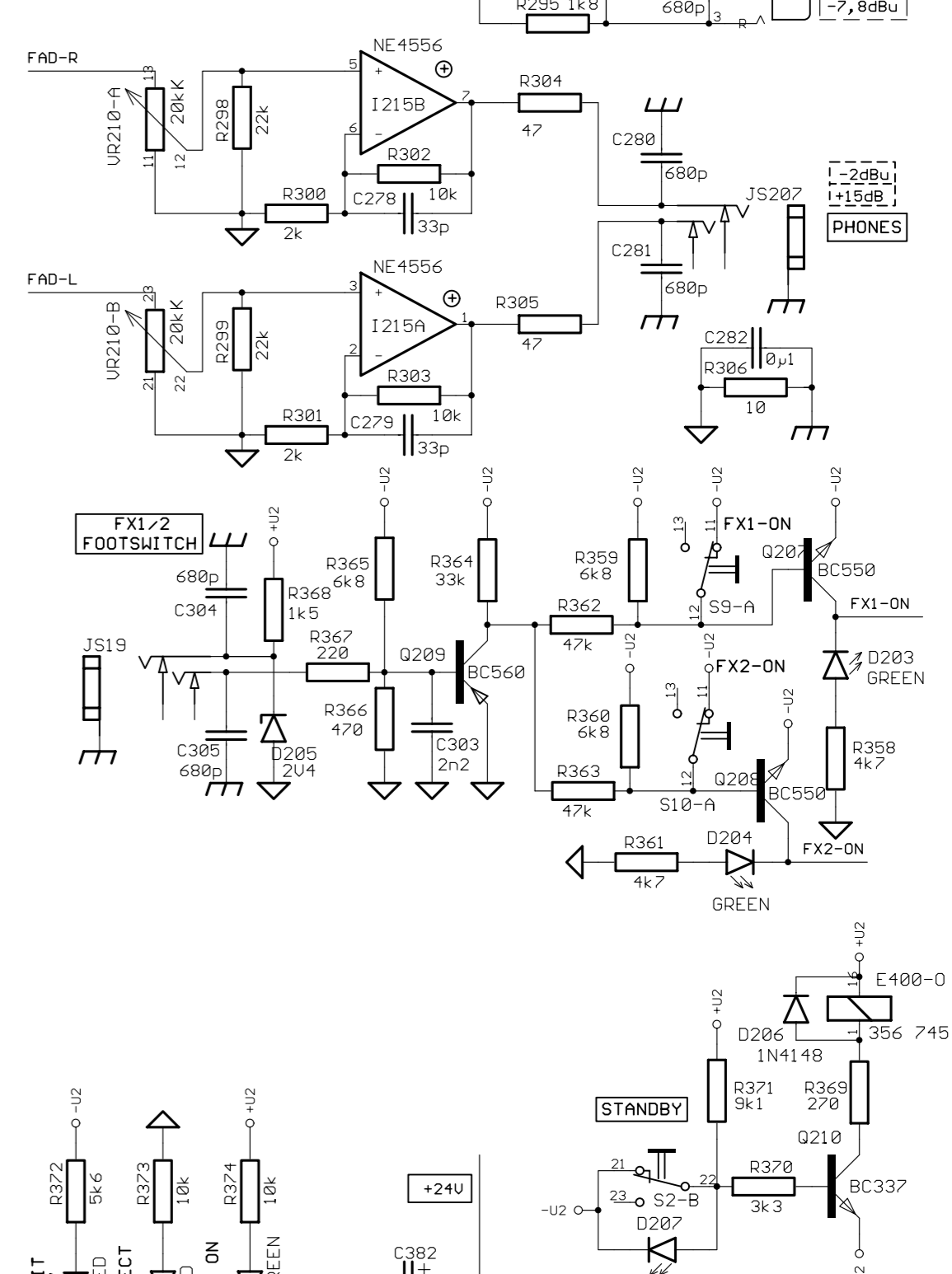
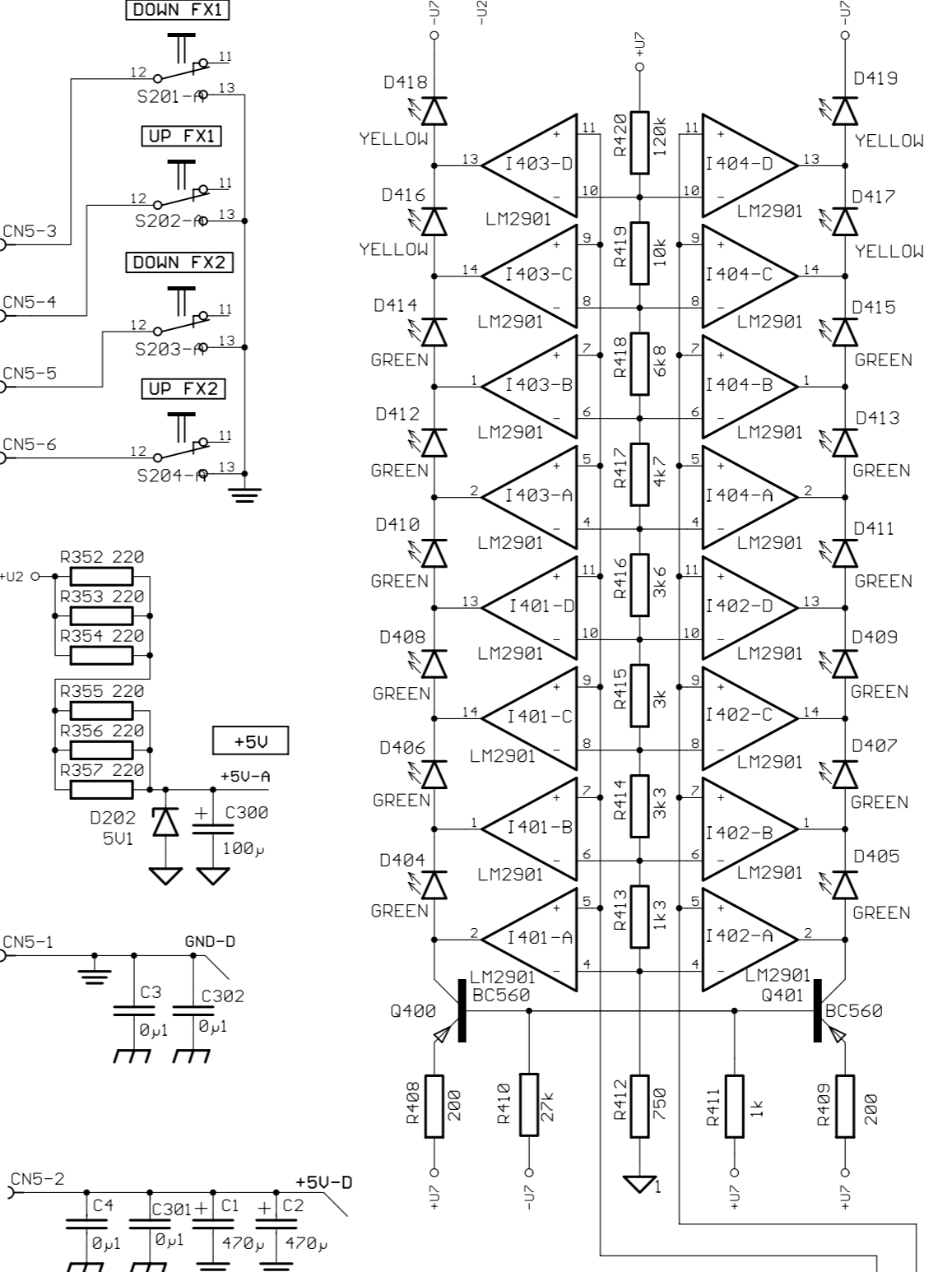
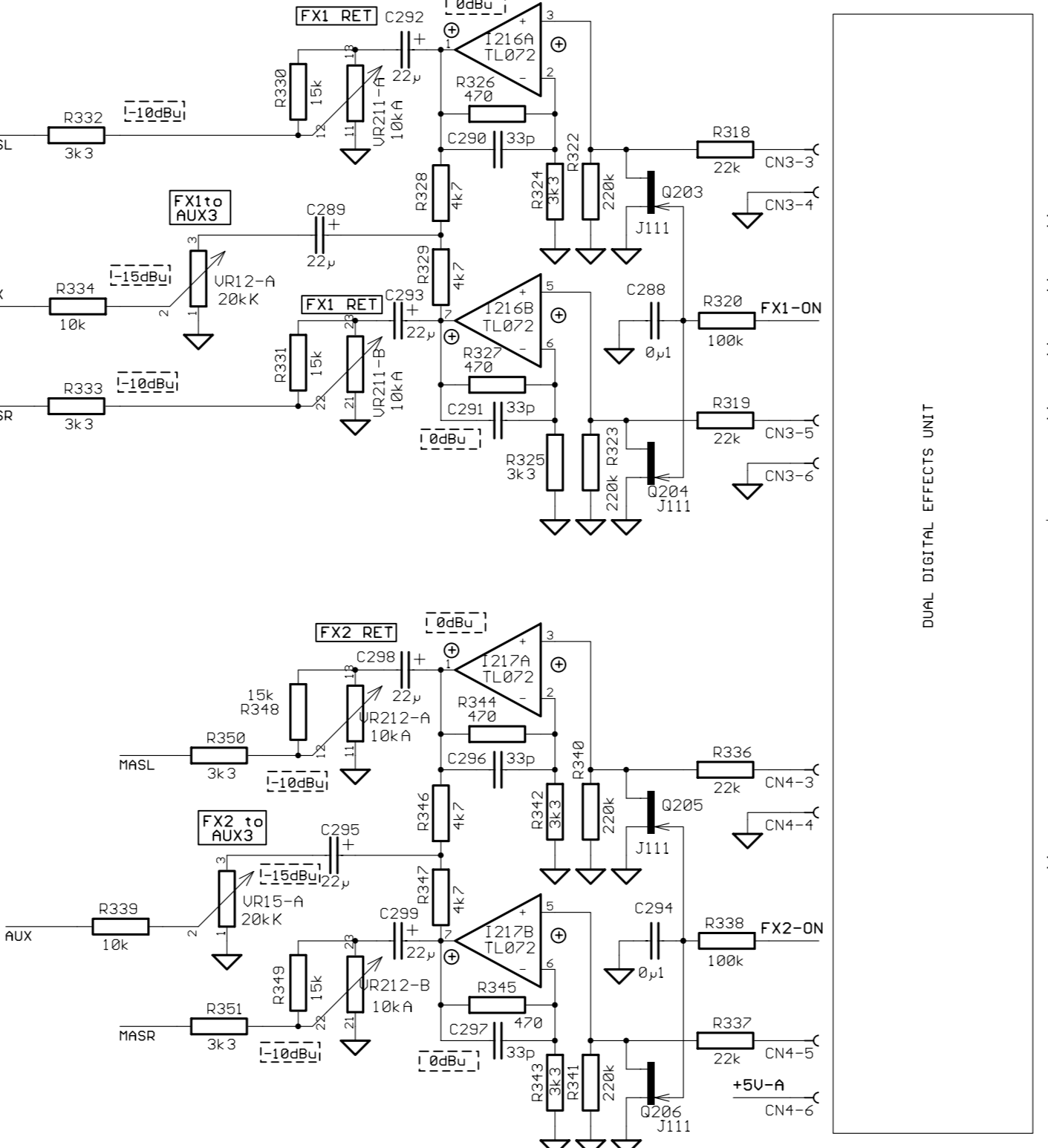
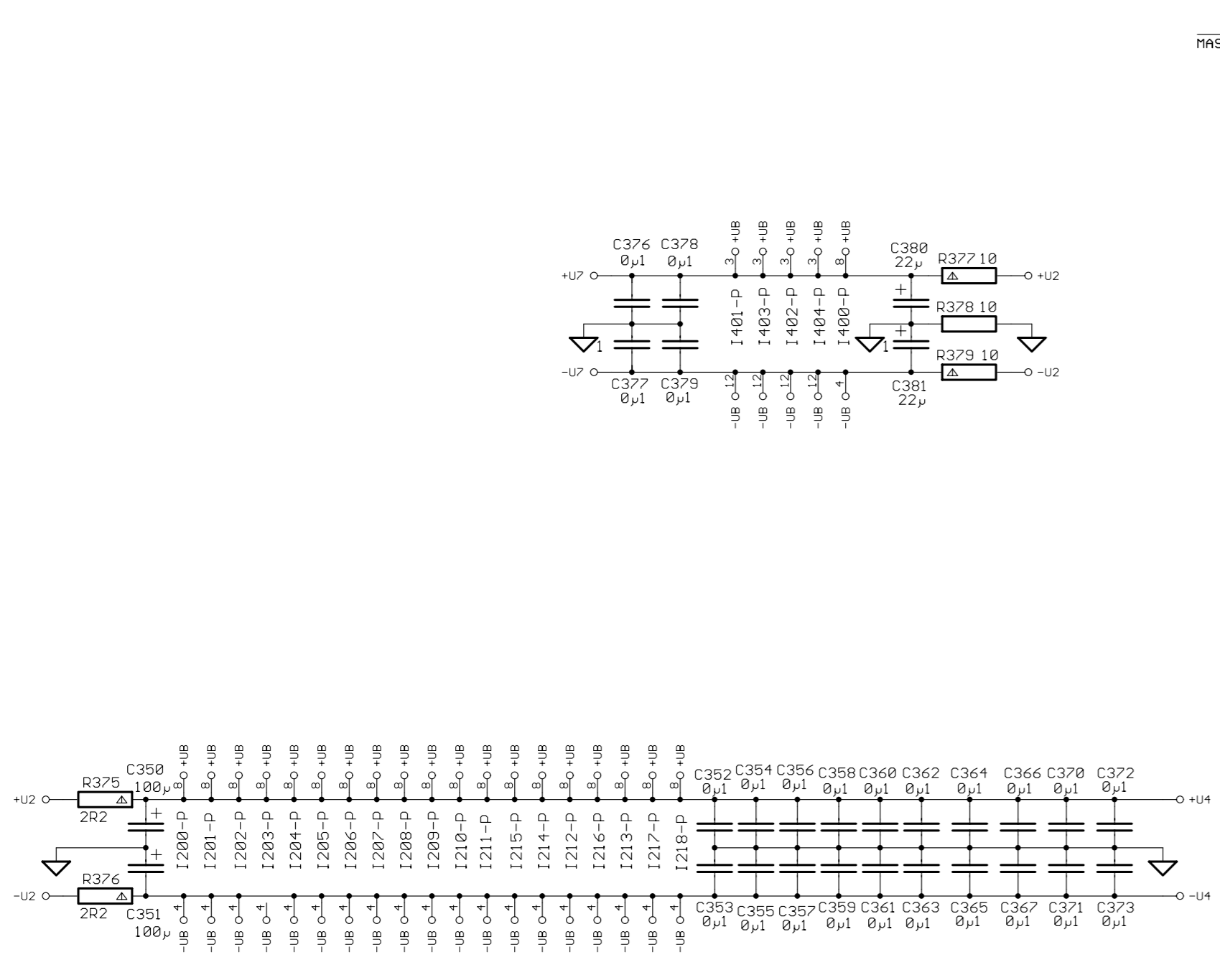
2-



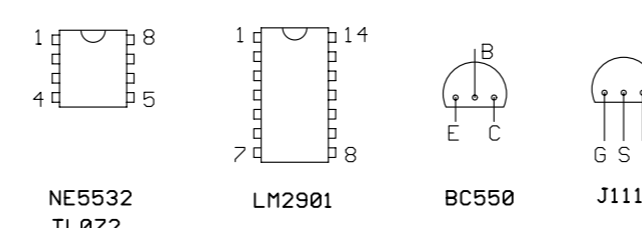
NOTES:

- AC VOLTAGE 1000 HZ, MEASURED WITH UTM
- DC VOLTAGE MEASURED WITH VOLTMETER 100k OHM/V
- FADER IN RATED POSITION
- ADDITIONAL GAIN WITH FADER IN MAX. POSITION

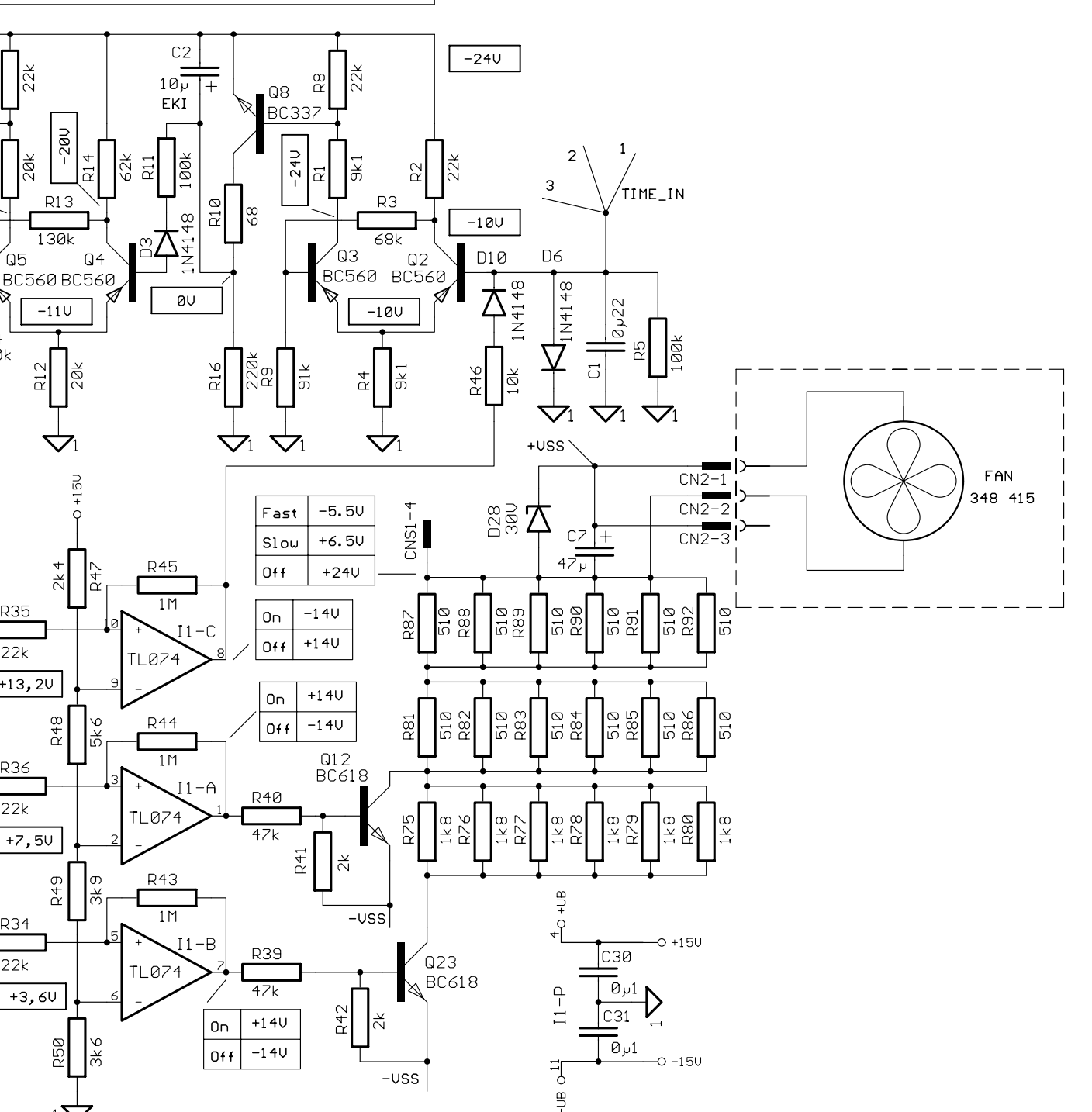
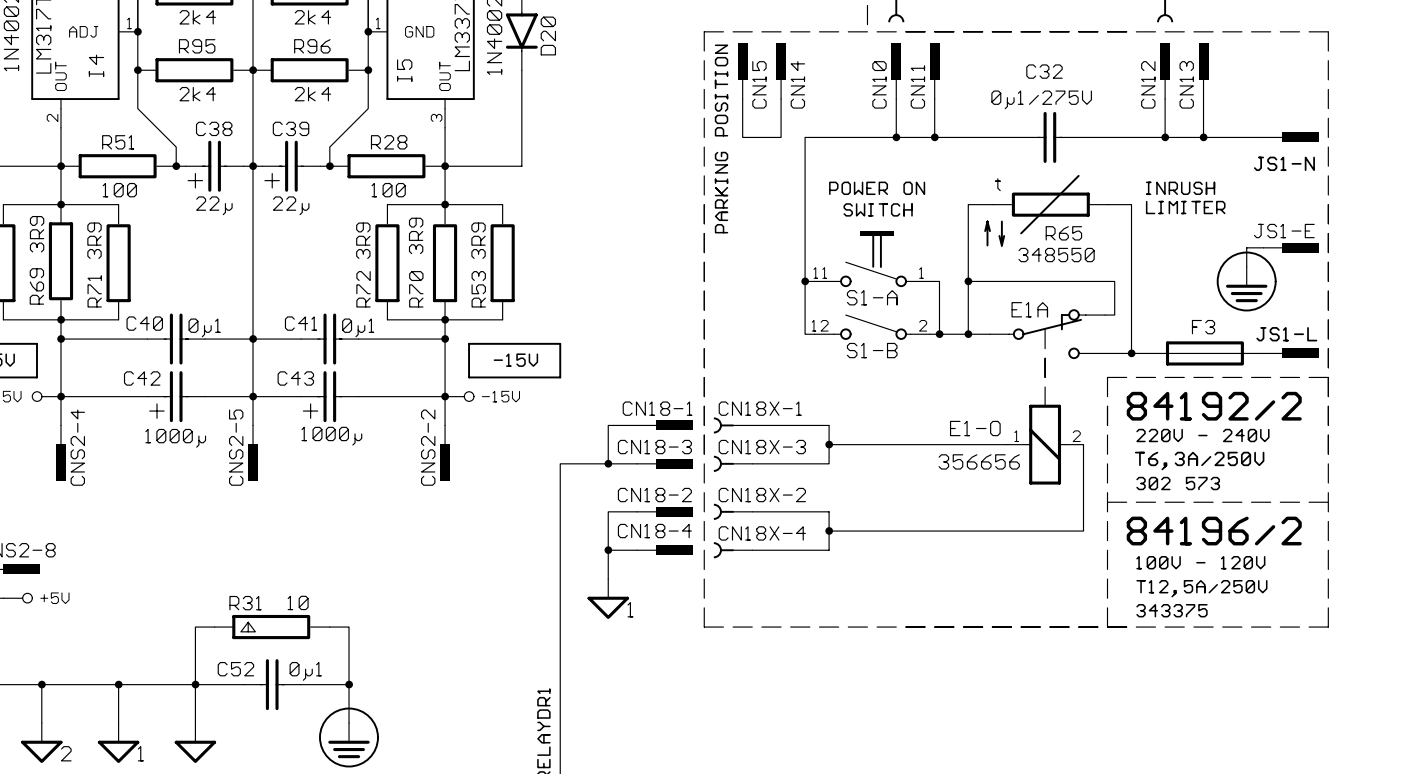
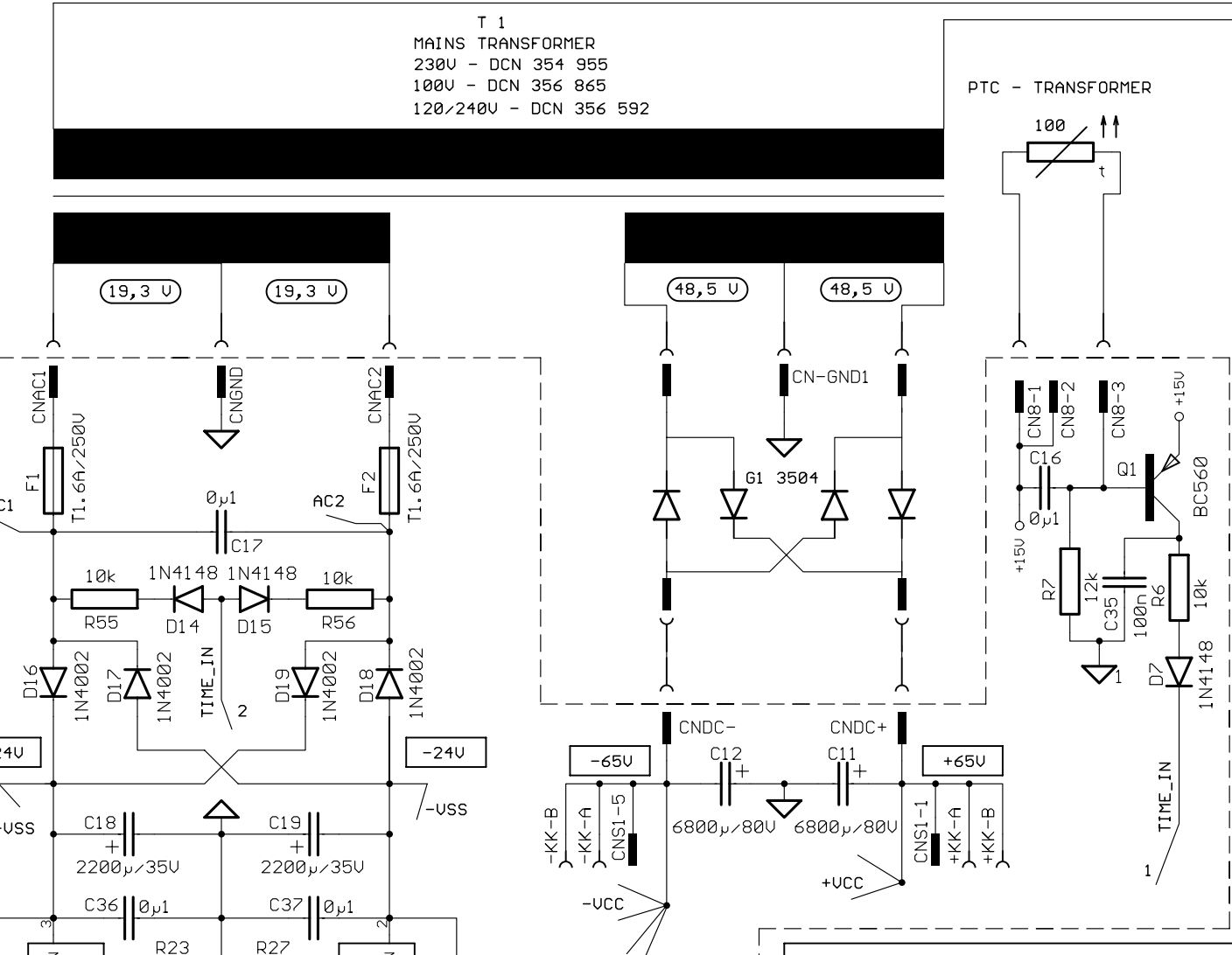
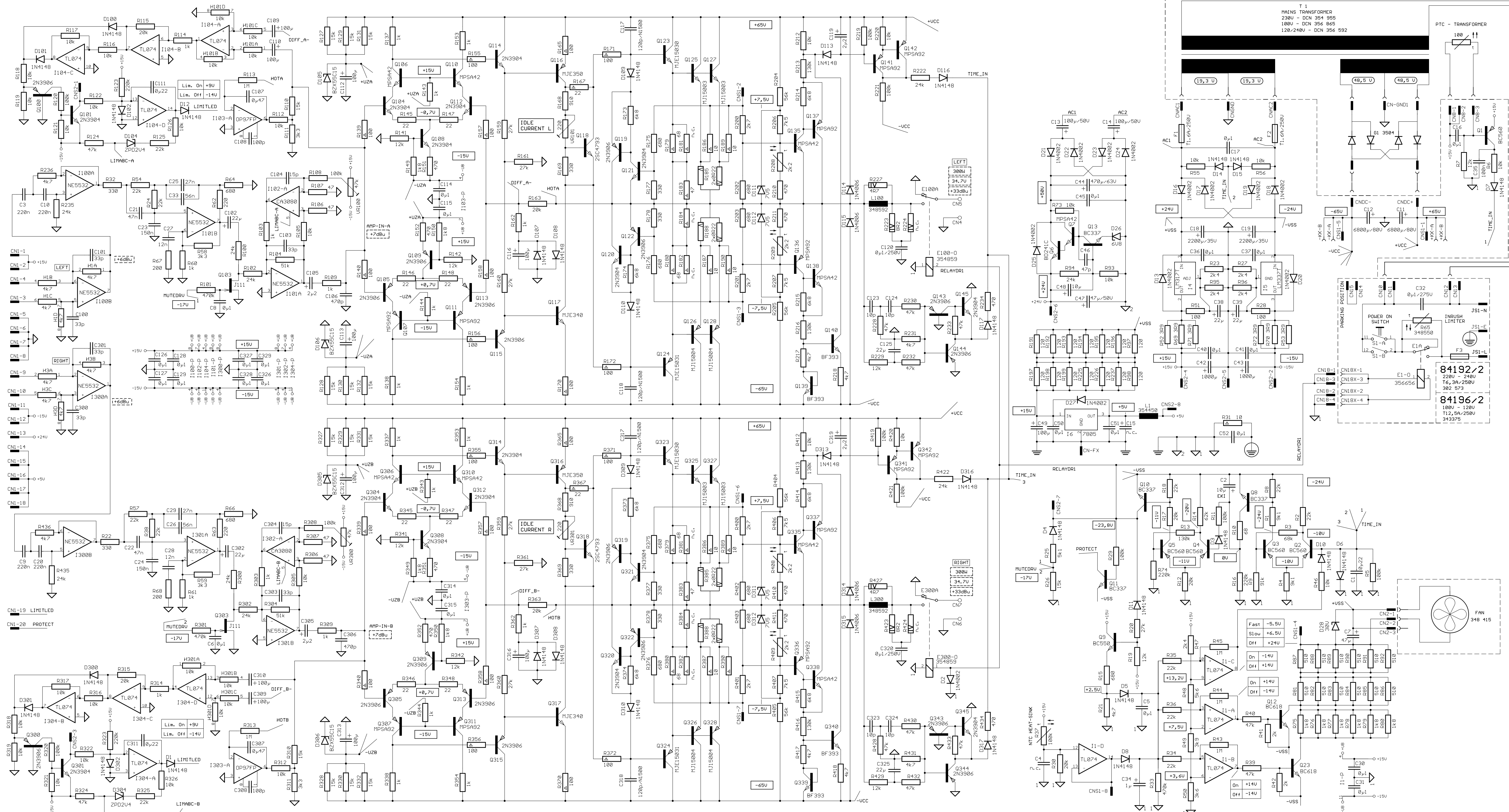
RATED CONDITIONS: GAIN POTS MIN. OR MAX.
ALL POTS IN CENTER-POSITION
ALL FADERS AT 0dB
FX 1/2 Prog. 00 00



SAFETY COMPONENT (MUST BE REPLACED BY ORIGINAL PART)



ALTERATIONS RESERVED!				81343D	
		Last modified	24.11.1999	12:36:48	
		Last plotted	08.05.2001	12:06:01	
		1998	DATE	NAME	
		DSG'D	12/98	Lang	
		CHK'D			
		APP'D			
C	145/99	24.11	Lang		
B	52/99	18.05	Stangl		
A	4/99	21.01	Stangl		
ISSUE	REVISION	DATE	NAME		
				EVI AUDIO	
				354 951	
				PM600 / PSX600	



- SAFETY COMPONENT, FLAMEPROOF RESISTOR (MUST BE REPLACED BY ORIGINAL PART)
- POWER RESISTOR 4 WATT
- AC VOLTAGE 1000 HZ, MEASURED WITH UTM
- DC VOLTAGE MEASURED WITH VOLTMETER 100k OHM/V
- AC VOLTAGE 50/60 HZ MEASURED VOLTMETER 2000 OHMS/V

- LM 7805
- LM 317 T
- LM 337 T
- MJE 15030
- MJE 15031
- 2SC 4793
- BD 241
- MJE 340
- MJE 350
- BC 327
- BC 337
- BC 550
- 2N 3904
- BC 560
- 2N 3906
- BF 393
- J 111
- NE 5532
- CA 3080
- OP 07 FP
- TL 074
- MJ 15003
- MJ 15004

230V - 240V 84192/1
100V - 120V 84196/1

ALTERATIONS RESERVED

ISSUE	REVISION	DATE	NAME
E	53/00	06/00	Stangl
D	157 / 99	12/99	Lang
C	145 / 99	11/99	Lang
B	15 / 99	02/99	Stangl
A	Nulserie	01/99	Stangl

84192d

CIRCUIT DIAGRAM

354 953

PM600 / PSX600

2-

Ersatzteilliste - Bill of Materials

170101		PSX 600 120V	
Pos. Nr.	Best. Nr.	Bezeichnung	Description
Ref. No.	Part No.		
		Zubehör	Accessories & packing material
	358172	OWNER'S MANUAL PSX 600	owner's manual psx600
	358186	QUICK START PSX 600	quick start psx600
	346832	KABEL-NETZ UL/CSA 10A/125V	power cable US
	358174	KRT. PSX 600 515X387X240	carton
	356212	STYROPOR-EINL. LI. PM.600	carton filler foam left
	356213	STYROPOR-EINL. RE. PM.600	carton filler foam right
	358175	KRT. PSX 600 AUSSEN	carton outer
	337053	SCHUTZHÜLLE 650X800X0,08	poly bag
		Mechanische Teile	Cabinet material
B0010	341343	BUCHSE-SPEAKON-VIERECK 4POL	speaker socket 4-pole
C0001	333014	KO-SO 0.10MF 275V 20% L	safety cap 100nF/275V
G0010	343270	GLRI GBPC 3504	rectifier GBPC-P 3504
	353911	EINLEGEFOLIE POWERM.1000	mylar window
	355153	SK 25X13 WS/SW 4X1,2	knob fader wh/bl
	355155	SK 25X13 BL/GR 4X1,2	knob fader bl/gr
	355154	SK 25X13 BL/GR 4X1,2	knob fader bl/gr
	355156	SK 25X13 RT/GR 4X1,2	knob fader rd/gr
	353648	SK 7X10 GR 4X1,2	knob fader gr
	353879	TK 10X5 GR 3,3	push button
	353905	DK 11 GR/GR/RT B 6FL	knob rotary gr/rd
	353909	DK 11 GR/GR/GR B 6FL	knob rotary gr/gr
	353907	DK 11 GR/GR/BL B 6FL	knob rotary gr/blu
	353906	DK 11 GR/GR/BL B 6FL	knob rotary gr/blu
	348415	LÜFTER TYP FBA08A24H DC	fan dc 24V
	356237	SEITENTEIL LINKS LACKIERT	side panel left
	356238	SEITENTEIL RECHTS LACKIERT	side panel right
	355513	GRIFF POWERMATE 1000	handle
	358216	BEZ. SCHILD PSX 1000-GRIFF	label, handle
	349627	KABEL-KONFEKT 4POL 0.320M	ribbon cable assy 4-way
	346151	KABEL-KONFEKT 4POL 0.065M	ribbon cable assy 4-way
	356643	KABEL-KONFEKT 20POL 0.520M	ribbon cable assy 20-way
	355152	NIPPEL POWERMATE 1000	plastic nipple
	355151	SCHNAPPVERSCHLUSS SER.102	latch top cover
	358110	FB.PSX 600 BED	front panel psx600
	358111	BOD.PSX 600 120V BED	base chassis psx600
	358112	DEC.PSX 600 BED	top cover psx600
	356592	NT-RG.PM600 120/240V	mains transformer 120/240V
	348341	FEDERLEISTE 3POL CE100-	connector female 3-pole
	348341	FEDERLEISTE 3POL CE100-	connector female 3-pole
		813438 PCBAR#PM 600	pcb assy mixing console
CN001	349105	MESSERLST. 20POL	connector male 20-pin
CN003	348488	FEDERLEISTE 6POL 2.54MM	connector female 6-pole
CN004	348488	FEDERLEISTE 6POL 2.54MM	connector female 6-pole

170101		PSX 600 120V		
Pos. Nr.	Best. Nr.	Bezeichnung		Description
Ref. No.	Part No.			
CN005	348488	FEDERLEISTE 6POL 2.54MM		connector female 6-pole
C0001	354031	KO-EL	470.000MF 10V	cap electrolytic 470uF/10V
C0002	354031	KO-EL	470.000MF 10V	cap electrolytic 470uF/10V
C0003	329021	KO-KER	0.10MF 100V 20%	cap ceramic 100nF
C0004	329021	KO-KER	0.10MF 100V 20%	cap ceramic 100nF
C001A	340522	KO-EL	10.000MF 35V	cap electrolytic 10uF/35
C001B	340522	KO-EL	10.000MF 35V	cap electrolytic 10uF/35
C001C	340522	KO-EL	10.000MF 35V	cap electrolytic 10uF/35
C001D	340522	KO-EL	10.000MF 35V	cap electrolytic 10uF/35
C001E	340522	KO-EL	10.000MF 35V	cap electrolytic 10uF/35
C001F	340522	KO-EL	10.000MF 35V	cap electrolytic 10uF/35
C002A	340522	KO-EL	10.000MF 35V	cap electrolytic 10uF/35
C002B	340522	KO-EL	10.000MF 35V	cap electrolytic 10uF/35
C002C	340522	KO-EL	10.000MF 35V	cap electrolytic 10uF/35
C002D	340522	KO-EL	10.000MF 35V	cap electrolytic 10uF/35
C002E	340522	KO-EL	10.000MF 35V	cap electrolytic 10uF/35
C002F	340522	KO-EL	10.000MF 35V	cap electrolytic 10uF/35
C003A	345461	KO-KER	680.0PF 100V 10%	cap ceramic 680pF
C003B	345461	KO-KER	680.0PF 100V 10%	cap ceramic 680pF
C003C	345461	KO-KER	680.0PF 100V 10%	cap ceramic 680pF
C003D	345461	KO-KER	680.0PF 100V 10%	cap ceramic 680pF
C003E	345461	KO-KER	680.0PF 100V 10%	cap ceramic 680pF
C003F	345461	KO-KER	680.0PF 100V 10%	cap ceramic 680pF
C004A	343530	KO-EL	47.000MF 50V	cap electrolytic 47uF/50V
C004B	343530	KO-EL	47.000MF 50V	cap electrolytic 47uF/50V
C004C	343530	KO-EL	47.000MF 50V	cap electrolytic 47uF/50V
C004D	343530	KO-EL	47.000MF 50V	cap electrolytic 47uF/50V
C004E	343530	KO-EL	47.000MF 50V	cap electrolytic 47uF/50V
C004F	343530	KO-EL	47.000MF 50V	cap electrolytic 47uF/50V
C005A	343530	KO-EL	47.000MF 50V	cap electrolytic 47uF/50V
C005B	343530	KO-EL	47.000MF 50V	cap electrolytic 47uF/50V
C005C	343530	KO-EL	47.000MF 50V	cap electrolytic 47uF/50V
C005D	343530	KO-EL	47.000MF 50V	cap electrolytic 47uF/50V
C005E	343530	KO-EL	47.000MF 50V	cap electrolytic 47uF/50V
C005F	343530	KO-EL	47.000MF 50V	cap electrolytic 47uF/50V
C006A	345461	KO-KER	680.0PF 100V 10%	cap ceramic 680pF
C006B	345461	KO-KER	680.0PF 100V 10%	cap ceramic 680pF
C006C	345461	KO-KER	680.0PF 100V 10%	cap ceramic 680pF
C006D	345461	KO-KER	680.0PF 100V 10%	cap ceramic 680pF
C006E	345461	KO-KER	680.0PF 100V 10%	cap ceramic 680pF
C006F	345461	KO-KER	680.0PF 100V 10%	cap ceramic 680pF
C007A	345461	KO-KER	680.0PF 100V 10%	cap ceramic 680pF
C007B	345461	KO-KER	680.0PF 100V 10%	cap ceramic 680pF
C007C	345461	KO-KER	680.0PF 100V 10%	cap ceramic 680pF
C007D	345461	KO-KER	680.0PF 100V 10%	cap ceramic 680pF
C007E	345461	KO-KER	680.0PF 100V 10%	cap ceramic 680pF
C007F	345461	KO-KER	680.0PF 100V 10%	cap ceramic 680pF
C008A	301543	KO-KER	330.0PF 500V 10%	cap ceramic 330pF
C008B	301543	KO-KER	330.0PF 500V 10%	cap ceramic 330pF
C008C	301543	KO-KER	330.0PF 500V 10%	cap ceramic 330pF
C008D	301543	KO-KER	330.0PF 500V 10%	cap ceramic 330pF
C008E	301543	KO-KER	330.0PF 500V 10%	cap ceramic 330pF

170101		PSX 600 120V				
Pos. Nr.	Best. Nr.	Bezeichnung			Description	
Ref. No.	Part No.					
C008F	301543	KO-KER	330.0PF	500V 10%	cap ceramic 330pF	
C009A	354031	KO-EL	470.000MF	10V	cap electrolytic 470uF/10V	
C009B	354031	KO-EL	470.000MF	10V	cap electrolytic 470uF/10V	
C009C	354031	KO-EL	470.000MF	10V	cap electrolytic 470uF/10V	
C009D	354031	KO-EL	470.000MF	10V	cap electrolytic 470uF/10V	
C009E	354031	KO-EL	470.000MF	10V	cap electrolytic 470uF/10V	
C009F	354031	KO-EL	470.000MF	10V	cap electrolytic 470uF/10V	
C010A	301543	KO-KER	330.0PF	500V 10%	cap ceramic 330pF	
C010B	301543	KO-KER	330.0PF	500V 10%	cap ceramic 330pF	
C010C	301543	KO-KER	330.0PF	500V 10%	cap ceramic 330pF	
C010D	301543	KO-KER	330.0PF	500V 10%	cap ceramic 330pF	
C010E	301543	KO-KER	330.0PF	500V 10%	cap ceramic 330pF	
C010F	301543	KO-KER	330.0PF	500V 10%	cap ceramic 330pF	
C011A	346841	KO-EL	47.000MF	16V	cap electrolytic 47uF/16V	
C011B	346841	KO-EL	47.000MF	16V	cap electrolytic 47uF/16V	
C011C	346841	KO-EL	47.000MF	16V	cap electrolytic 47uF/16V	
C011D	346841	KO-EL	47.000MF	16V	cap electrolytic 47uF/16V	
C011E	346841	KO-EL	47.000MF	16V	cap electrolytic 47uF/16V	
C011F	346841	KO-EL	47.000MF	16V	cap electrolytic 47uF/16V	
C012A	342932	KO-FOL	0.015MF	100V 5%	cap mylar 15nF	
C012B	342932	KO-FOL	0.015MF	100V 5%	cap mylar 15nF	
C012C	342932	KO-FOL	0.015MF	100V 5%	cap mylar 15nF	
C012D	342932	KO-FOL	0.015MF	100V 5%	cap mylar 15nF	
C012E	342932	KO-FOL	0.015MF	100V 5%	cap mylar 15nF	
C012F	342932	KO-FOL	0.015MF	100V 5%	cap mylar 15nF	
C013A	342934	KO-FOL	0.033MF	100V 5%	cap mylar 33nF	
C013B	342934	KO-FOL	0.033MF	100V 5%	cap mylar 33nF	
C013C	342934	KO-FOL	0.033MF	100V 5%	cap mylar 33nF	
C013D	342934	KO-FOL	0.033MF	100V 5%	cap mylar 33nF	
C013E	342934	KO-FOL	0.033MF	100V 5%	cap mylar 33nF	
C013F	342934	KO-FOL	0.033MF	100V 5%	cap mylar 33nF	
C014A	342932	KO-FOL	0.015MF	100V 5%	cap mylar 15nF	
C014B	342932	KO-FOL	0.015MF	100V 5%	cap mylar 15nF	
C014C	342932	KO-FOL	0.015MF	100V 5%	cap mylar 15nF	
C014D	342932	KO-FOL	0.015MF	100V 5%	cap mylar 15nF	
C014E	342932	KO-FOL	0.015MF	100V 5%	cap mylar 15nF	
C014F	342932	KO-FOL	0.015MF	100V 5%	cap mylar 15nF	
C015A	342932	KO-FOL	0.015MF	100V 5%	cap mylar 15nF	
C015B	342932	KO-FOL	0.015MF	100V 5%	cap mylar 15nF	
C015C	342932	KO-FOL	0.015MF	100V 5%	cap mylar 15nF	
C015D	342932	KO-FOL	0.015MF	100V 5%	cap mylar 15nF	
C015E	342932	KO-FOL	0.015MF	100V 5%	cap mylar 15nF	
C015F	342932	KO-FOL	0.015MF	100V 5%	cap mylar 15nF	
C016A	342934	KO-FOL	0.033MF	100V 5%	cap mylar 33nF	
C016B	342934	KO-FOL	0.033MF	100V 5%	cap mylar 33nF	
C016C	342934	KO-FOL	0.033MF	100V 5%	cap mylar 33nF	
C016D	342934	KO-FOL	0.033MF	100V 5%	cap mylar 33nF	
C016E	342934	KO-FOL	0.033MF	100V 5%	cap mylar 33nF	
C016F	342934	KO-FOL	0.033MF	100V 5%	cap mylar 33nF	
C017A	342932	KO-FOL	0.015MF	100V 5%	cap mylar 15nF	
C017B	342932	KO-FOL	0.015MF	100V 5%	cap mylar 15nF	
C017C	342932	KO-FOL	0.015MF	100V 5%	cap mylar 15nF	

170101		PSX 600 120V				
Pos. Nr.	Best. Nr.	Bezeichnung			Description	
Ref. No.	Part No.					
C017D	342932	KO-FOL	0.015MF	100V 5%	cap mylar 15nF	
C017E	342932	KO-FOL	0.015MF	100V 5%	cap mylar 15nF	
C017F	342932	KO-FOL	0.015MF	100V 5%	cap mylar 15nF	
C018A	340523	KO-EL	22.000MF	16V	cap electrolytic 22uF/16V	
C018B	340523	KO-EL	22.000MF	16V	cap electrolytic 22uF/16V	
C018C	340523	KO-EL	22.000MF	16V	cap electrolytic 22uF/16V	
C018D	340523	KO-EL	22.000MF	16V	cap electrolytic 22uF/16V	
C018E	340523	KO-EL	22.000MF	16V	cap electrolytic 22uF/16V	
C018F	340523	KO-EL	22.000MF	16V	cap electrolytic 22uF/16V	
C019A	301519	KO-KER	10.0PF	500V 10%	cap ceramic 10pF	
C019B	301519	KO-KER	10.0PF	500V 10%	cap ceramic 10pF	
C019C	301519	KO-KER	10.0PF	500V 10%	cap ceramic 10pF	
C019D	301519	KO-KER	10.0PF	500V 10%	cap ceramic 10pF	
C019E	301519	KO-KER	10.0PF	500V 10%	cap ceramic 10pF	
C019F	301519	KO-KER	10.0PF	500V 10%	cap ceramic 10pF	
C020A	340523	KO-EL	22.000MF	16V	cap electrolytic 22uF/16V	
C020B	340523	KO-EL	22.000MF	16V	cap electrolytic 22uF/16V	
C020C	340523	KO-EL	22.000MF	16V	cap electrolytic 22uF/16V	
C020D	340523	KO-EL	22.000MF	16V	cap electrolytic 22uF/16V	
C020E	340523	KO-EL	22.000MF	16V	cap electrolytic 22uF/16V	
C020F	340523	KO-EL	22.000MF	16V	cap electrolytic 22uF/16V	
C0200	340524	KO-EL	100.000MF	16V	cap electrolytic 100uF/16V	
C0201	340524	KO-EL	100.000MF	16V	cap electrolytic 100uF/16V	
C0202	301558	KO-KER	33.0PF	100V 2%	cap ceramic 33pF	
C0203	301558	KO-KER	33.0PF	100V 2%	cap ceramic 33pF	
C0204	340524	KO-EL	100.000MF	16V	cap electrolytic 100uF/16V	
C0205	340524	KO-EL	100.000MF	16V	cap electrolytic 100uF/16V	
C0206	335787	KO-KER	15.0PF	100V 2%	cap ceramic 15pF	
C0207	335787	KO-KER	15.0PF	100V 2%	cap ceramic 15pF	
C0208	301558	KO-KER	33.0PF	100V 2%	cap ceramic 33pF	
C0209	301558	KO-KER	33.0PF	100V 2%	cap ceramic 33pF	
C021A	340523	KO-EL	22.000MF	16V	cap electrolytic 22uF/16V	
C021B	340523	KO-EL	22.000MF	16V	cap electrolytic 22uF/16V	
C021C	340523	KO-EL	22.000MF	16V	cap electrolytic 22uF/16V	
C021D	340523	KO-EL	22.000MF	16V	cap electrolytic 22uF/16V	
C021E	340523	KO-EL	22.000MF	16V	cap electrolytic 22uF/16V	
C021F	340523	KO-EL	22.000MF	16V	cap electrolytic 22uF/16V	
C0210	340523	KO-EL	22.000MF	16V	cap electrolytic 22uF/16V	
C0211	340523	KO-EL	22.000MF	16V	cap electrolytic 22uF/16V	
C0212	342937	KO-FOL	1.000MF	63V 5%	cap mylar 1uF	
C0213	342937	KO-FOL	1.000MF	63V 5%	cap mylar 1uF	
C0214	344105	KO-FOL	0.027MF	100V 5%	cap mylar 27nF	
C0215	344105	KO-FOL	0.027MF	100V 5%	cap mylar 27nF	
C0216	340244	KO-FOL	0.330MF	63V 5%	cap mylar 330nF	
C0217	340244	KO-FOL	0.330MF	63V 5%	cap mylar 330nF	
C0218	337181	KO-FOL	0.010MF	100V 5%	cap mylar 10nF	
C0219	337181	KO-FOL	0.010MF	100V 5%	cap mylar 10nF	
C022A	301530	KO-KER	100.0PF	500V 10%	cap ceramic 100pF	
C022B	301530	KO-KER	100.0PF	500V 10%	cap ceramic 100pF	
C022C	301530	KO-KER	100.0PF	500V 10%	cap ceramic 100pF	
C022D	301530	KO-KER	100.0PF	500V 10%	cap ceramic 100pF	
C022E	301530	KO-KER	100.0PF	500V 10%	cap ceramic 100pF	

170101		PSX 600 120V			
Pos. Nr.	Best. Nr.	Bezeichnung		Description	
Ref. No.	Part No.				
C022F	301530	KO-KER	100.0PF 500V 10%	cap ceramic 100pF	
C0220	354958	KO-FOL	0.180MF 63V 5%	cap mylar 180nF	
C0221	354958	KO-FOL	0.180MF 63V 5%	cap mylar 180nF	
C0222	327393	KO-FOL	4700.000PF 63V 5%	cap mylar 4700pF	
C0223	327393	KO-FOL	4700.000PF 63V 5%	cap mylar 4700pF	
C0224	344109	KO-FOL	0.056MF 63V 5%	cap mylar 56nF	
C0225	344109	KO-FOL	0.056MF 63V 5%	cap mylar 56nF	
C0226	327391	KO-FOL	1500.000PF 100V 5%	cap mylar 1500pF	
C0227	327391	KO-FOL	1500.000PF 100V 5%	cap mylar 1500pF	
C0228	354957	KO-FOL	0.039MF 100V 5%	cap mylar 39nF	
C0229	354957	KO-FOL	0.039MF 100V 5%	cap mylar 39nF	
C023A	340523	KO-EL	22.000MF 16V	cap electrolytic 22uF/16V	
C023B	340523	KO-EL	22.000MF 16V	cap electrolytic 22uF/16V	
C023C	340523	KO-EL	22.000MF 16V	cap electrolytic 22uF/16V	
C023D	340523	KO-EL	22.000MF 16V	cap electrolytic 22uF/16V	
C023E	340523	KO-EL	22.000MF 16V	cap electrolytic 22uF/16V	
C023F	340523	KO-EL	22.000MF 16V	cap electrolytic 22uF/16V	
C0230	343397	KO-FOL	1000.000PF 100V2.5%	cap mylar 1nF	
C0231	343397	KO-FOL	1000.000PF 100V2.5%	cap mylar 1nF	
C0232	344104	KO-FOL	0.018MF 100V 5%	cap mylar 18nF	
C0233	344104	KO-FOL	0.018MF 100V 5%	cap mylar 18nF	
C0234	328365	KO-FOL	560.000PF 100V 5%	cap mylar 560pF	
C0235	328365	KO-FOL	560.000PF 100V 5%	cap mylar 560pF	
C0236	337181	KO-FOL	0.010MF 100V 5%	cap mylar 10nF	
C0237	337181	KO-FOL	0.010MF 100V 5%	cap mylar 10nF	
C0238	300050	KO-FOL	330.000PF 100V 5%	cap mylar 330pF	
C0239	300050	KO-FOL	330.000PF 100V 5%	cap mylar 330pF	
C024A	340520	KO-EL	1.000MF 50V	cap electrolytic 1uF/50V	
C024B	340520	KO-EL	1.000MF 50V	cap electrolytic 1uF/50V	
C024C	340520	KO-EL	1.000MF 50V	cap electrolytic 1uF/50V	
C024D	340520	KO-EL	1.000MF 50V	cap electrolytic 1uF/50V	
C024E	340520	KO-EL	1.000MF 50V	cap electrolytic 1uF/50V	
C024F	340520	KO-EL	1.000MF 50V	cap electrolytic 1uF/50V	
C0240	301530	KO-KER	100.0PF 500V 10%	cap ceramic 100pF	
C0241	301530	KO-KER	100.0PF 500V 10%	cap ceramic 100pF	
C0242	340524	KO-EL	100.000MF 16V	cap electrolytic 100uF/16V	
C0243	340524	KO-EL	100.000MF 16V	cap electrolytic 100uF/16V	
C0244	345461	KO-KER	680.0PF 100V 10%	cap ceramic 680pF	
C0245	345461	KO-KER	680.0PF 100V 10%	cap ceramic 680pF	
C0246	345461	KO-KER	680.0PF 100V 10%	cap ceramic 680pF	
C0247	345461	KO-KER	680.0PF 100V 10%	cap ceramic 680pF	
C0248	345461	KO-KER	680.0PF 100V 10%	cap ceramic 680pF	
C0249	345461	KO-KER	680.0PF 100V 10%	cap ceramic 680pF	
C025A	329021	KO-KER	0.10MF 100V 20%	cap ceramic 100nF	
C025B	329021	KO-KER	0.10MF 100V 20%	cap ceramic 100nF	
C025C	329021	KO-KER	0.10MF 100V 20%	cap ceramic 100nF	
C025D	329021	KO-KER	0.10MF 100V 20%	cap ceramic 100nF	
C025E	329021	KO-KER	0.10MF 100V 20%	cap ceramic 100nF	
C025F	329021	KO-KER	0.10MF 100V 20%	cap ceramic 100nF	
C0250	345461	KO-KER	680.0PF 100V 10%	cap ceramic 680pF	
C0251	345461	KO-KER	680.0PF 100V 10%	cap ceramic 680pF	
C0252	329021	KO-KER	0.10MF 100V 20%	cap ceramic 100nF	

170101		PSX 600 120V				
Pos. Nr.	Best. Nr.	Bezeichnung			Description	
Ref. No.	Part No.					
C0253	301558	KO-KER	33.0PF	100V 2%	cap ceramic 33pF	
C0254	340523	KO-EL	22.000MF	16V	cap electrolytic 22uF/16V	
C0255	335787	KO-KER	15.0PF	100V 2%	cap ceramic 15pF	
C0256	340524	KO-EL	100.000MF	16V	cap electrolytic 100uF/16V	
C0257	345461	KO-KER	680.0PF	100V 10%	cap ceramic 680pF	
C0258	345461	KO-KER	680.0PF	100V 10%	cap ceramic 680pF	
C0259	329021	KO-KER	0.10MF	100V 20%	cap ceramic 100nF	
C0260	340524	KO-EL	100.000MF	16V	cap electrolytic 100uF/16V	
C0261	335787	KO-KER	15.0PF	100V 2%	cap ceramic 15pF	
C0262	340523	KO-EL	22.000MF	16V	cap electrolytic 22uF/16V	
C0263	335787	KO-KER	15.0PF	100V 2%	cap ceramic 15pF	
C0264	301558	KO-KER	33.0PF	100V 2%	cap ceramic 33pF	
C0265	340524	KO-EL	100.000MF	16V	cap electrolytic 100uF/16V	
C0266	345461	KO-KER	680.0PF	100V 10%	cap ceramic 680pF	
C0267	345461	KO-KER	680.0PF	100V 10%	cap ceramic 680pF	
C0268	345461	KO-KER	680.0PF	100V 10%	cap ceramic 680pF	
C0269	345461	KO-KER	680.0PF	100V 10%	cap ceramic 680pF	
C027A	343532	KO-EL	100.000MF	25V	cap electrolytic 100uF/25V	
C027B	343532	KO-EL	100.000MF	25V	cap electrolytic 100uF/25V	
C027C	343532	KO-EL	100.000MF	25V	cap electrolytic 100uF/25V	
C0270	301558	KO-KER	33.0PF	100V 2%	cap ceramic 33pF	
C0271	301558	KO-KER	33.0PF	100V 2%	cap ceramic 33pF	
C0272	340523	KO-EL	22.000MF	16V	cap electrolytic 22uF/16V	
C0273	340523	KO-EL	22.000MF	16V	cap electrolytic 22uF/16V	
C0274	340523	KO-EL	22.000MF	16V	cap electrolytic 22uF/16V	
C0275	329021	KO-KER	0.10MF	100V 20%	cap ceramic 100nF	
C0276	345461	KO-KER	680.0PF	100V 10%	cap ceramic 680pF	
C0277	345461	KO-KER	680.0PF	100V 10%	cap ceramic 680pF	
C0278	301558	KO-KER	33.0PF	100V 2%	cap ceramic 33pF	
C0279	301558	KO-KER	33.0PF	100V 2%	cap ceramic 33pF	
C028A	343532	KO-EL	100.000MF	25V	cap electrolytic 100uF/25V	
C028B	343532	KO-EL	100.000MF	25V	cap electrolytic 100uF/25V	
C028C	343532	KO-EL	100.000MF	25V	cap electrolytic 100uF/25V	
C0280	345461	KO-KER	680.0PF	100V 10%	cap ceramic 680pF	
C0281	345461	KO-KER	680.0PF	100V 10%	cap ceramic 680pF	
C0282	329021	KO-KER	0.10MF	100V 20%	cap ceramic 100nF	
C0283	340523	KO-EL	22.000MF	16V	cap electrolytic 22uF/16V	
C0284	301558	KO-KER	33.0PF	100V 2%	cap ceramic 33pF	
C0285	340523	KO-EL	22.000MF	16V	cap electrolytic 22uF/16V	
C0286	340523	KO-EL	22.000MF	16V	cap electrolytic 22uF/16V	
C0288	329021	KO-KER	0.10MF	100V 20%	cap ceramic 100nF	
C0289	340523	KO-EL	22.000MF	16V	cap electrolytic 22uF/16V	
C029A	329021	KO-KER	0.10MF	100V 20%	cap ceramic 100nF	
C029B	329021	KO-KER	0.10MF	100V 20%	cap ceramic 100nF	
C029C	329021	KO-KER	0.10MF	100V 20%	cap ceramic 100nF	
C0290	301558	KO-KER	33.0PF	100V 2%	cap ceramic 33pF	
C0291	301558	KO-KER	33.0PF	100V 2%	cap ceramic 33pF	
C0292	340523	KO-EL	22.000MF	16V	cap electrolytic 22uF/16V	
C0293	340523	KO-EL	22.000MF	16V	cap electrolytic 22uF/16V	
C0294	329021	KO-KER	0.10MF	100V 20%	cap ceramic 100nF	
C0295	340523	KO-EL	22.000MF	16V	cap electrolytic 22uF/16V	
C0296	301558	KO-KER	33.0PF	100V 2%	cap ceramic 33pF	

170101		PSX 600 120V			
Pos. Nr.	Best. Nr.	Bezeichnung			Description
Ref. No.	Part No.				
C0297	301558	KO-KER	33.0PF	100V 2%	cap ceramic 33pF
C0298	340523	KO-EL	22.000MF	16V	cap electrolytic 22uF/16V
C0299	340523	KO-EL	22.000MF	16V	cap electrolytic 22uF/16V
C030A	329021	KO-KER	0.10MF	100V 20%	cap ceramic 100nF
C030B	329021	KO-KER	0.10MF	100V 20%	cap ceramic 100nF
C030C	329021	KO-KER	0.10MF	100V 20%	cap ceramic 100nF
C0300	340524	KO-EL	100.000MF	16V	cap electrolytic 100uF/16V
C0301	329021	KO-KER	0.10MF	100V 20%	cap ceramic 100nF
C0302	329021	KO-KER	0.10MF	100V 20%	cap ceramic 100nF
C0303	301566	KO-KER	2200.0PF	100V 10%	cap ceramic 2200pF
C0304	345461	KO-KER	680.0PF	100V 10%	cap ceramic 680pF
C0305	345461	KO-KER	680.0PF	100V 10%	cap ceramic 680pF
C031A	329021	KO-KER	0.10MF	100V 20%	cap ceramic 100nF
C031B	329021	KO-KER	0.10MF	100V 20%	cap ceramic 100nF
C031C	329021	KO-KER	0.10MF	100V 20%	cap ceramic 100nF
C032A	329021	KO-KER	0.10MF	100V 20%	cap ceramic 100nF
C032B	329021	KO-KER	0.10MF	100V 20%	cap ceramic 100nF
C032C	329021	KO-KER	0.10MF	100V 20%	cap ceramic 100nF
C0323	329021	KO-KER	0.10MF	100V 20%	cap ceramic 100nF
C033A	329021	KO-KER	0.10MF	100V 20%	cap ceramic 100nF
C033B	329021	KO-KER	0.10MF	100V 20%	cap ceramic 100nF
C033C	329021	KO-KER	0.10MF	100V 20%	cap ceramic 100nF
C034A	329021	KO-KER	0.10MF	100V 20%	cap ceramic 100nF
C034B	329021	KO-KER	0.10MF	100V 20%	cap ceramic 100nF
C034C	329021	KO-KER	0.10MF	100V 20%	cap ceramic 100nF
C035A	329021	KO-KER	0.10MF	100V 20%	cap ceramic 100nF
C035B	329021	KO-KER	0.10MF	100V 20%	cap ceramic 100nF
C035C	329021	KO-KER	0.10MF	100V 20%	cap ceramic 100nF
C035D	329021	KO-KER	0.10MF	100V 20%	cap ceramic 100nF
C035E	329021	KO-KER	0.10MF	100V 20%	cap ceramic 100nF
C035F	329021	KO-KER	0.10MF	100V 20%	cap ceramic 100nF
C0350	343532	KO-EL	100.000MF	25V	cap electrolytic 100uF/25V
C0351	343532	KO-EL	100.000MF	25V	cap electrolytic 100uF/25V
C0352	329021	KO-KER	0.10MF	100V 20%	cap ceramic 100nF
C0353	329021	KO-KER	0.10MF	100V 20%	cap ceramic 100nF
C0354	329021	KO-KER	0.10MF	100V 20%	cap ceramic 100nF
C0355	329021	KO-KER	0.10MF	100V 20%	cap ceramic 100nF
C0356	329021	KO-KER	0.10MF	100V 20%	cap ceramic 100nF
C0357	329021	KO-KER	0.10MF	100V 20%	cap ceramic 100nF
C0358	329021	KO-KER	0.10MF	100V 20%	cap ceramic 100nF
C0359	329021	KO-KER	0.10MF	100V 20%	cap ceramic 100nF
C0360	329021	KO-KER	0.10MF	100V 20%	cap ceramic 100nF
C0361	329021	KO-KER	0.10MF	100V 20%	cap ceramic 100nF
C0362	329021	KO-KER	0.10MF	100V 20%	cap ceramic 100nF
C0363	329021	KO-KER	0.10MF	100V 20%	cap ceramic 100nF
C0364	329021	KO-KER	0.10MF	100V 20%	cap ceramic 100nF
C0365	329021	KO-KER	0.10MF	100V 20%	cap ceramic 100nF
C0366	329021	KO-KER	0.10MF	100V 20%	cap ceramic 100nF
C0367	329021	KO-KER	0.10MF	100V 20%	cap ceramic 100nF
C0370	329021	KO-KER	0.10MF	100V 20%	cap ceramic 100nF
C0371	329021	KO-KER	0.10MF	100V 20%	cap ceramic 100nF
C0372	329021	KO-KER	0.10MF	100V 20%	cap ceramic 100nF

170101		PSX 600 120V			
Pos. Nr.	Best. Nr.	Bezeichnung			Description
Ref. No.	Part No.				
C0373	329021	KO-KER	0.10MF	100V 20%	cap ceramic 100nF
C0376	329021	KO-KER	0.10MF	100V 20%	cap ceramic 100nF
C0377	329021	KO-KER	0.10MF	100V 20%	cap ceramic 100nF
C0378	329021	KO-KER	0.10MF	100V 20%	cap ceramic 100nF
C0379	329021	KO-KER	0.10MF	100V 20%	cap ceramic 100nF
C0380	340523	KO-EL	22.000MF	16V	cap electrolytic 22uF/16V
C0381	340523	KO-EL	22.000MF	16V	cap electrolytic 22uF/16V
C0382	343530	KO-EL	47.000MF	50V	cap electrolytic 47uF/50V
C0400	340523	KO-EL	22.000MF	16V	cap electrolytic 22uF/16V
C0402	340521	KO-EL	2.200MF	50V	cap electrolytic 2.2uF/50V
C0403	340521	KO-EL	2.200MF	50V	cap electrolytic 2.2uF/50V
C050A	345461	KO-KER	680.0PF	100V 10%	cap ceramic 680pF
C050B	345461	KO-KER	680.0PF	100V 10%	cap ceramic 680pF
C051A	345461	KO-KER	680.0PF	100V 10%	cap ceramic 680pF
C051B	345461	KO-KER	680.0PF	100V 10%	cap ceramic 680pF
C052A	345461	KO-KER	680.0PF	100V 10%	cap ceramic 680pF
C052B	345461	KO-KER	680.0PF	100V 10%	cap ceramic 680pF
C053A	345461	KO-KER	680.0PF	100V 10%	cap ceramic 680pF
C053B	345461	KO-KER	680.0PF	100V 10%	cap ceramic 680pF
C054A	306059	KO-KER	3.9PF	500V0.25	cap ceramic 3.9pF
C054B	306059	KO-KER	3.9PF	500V0.25	cap ceramic 3.9pF
C055A	306059	KO-KER	3.9PF	500V0.25	cap ceramic 3.9pF
C055B	306059	KO-KER	3.9PF	500V0.25	cap ceramic 3.9pF
C056A	306059	KO-KER	3.9PF	500V0.25	cap ceramic 3.9pF
C056B	306059	KO-KER	3.9PF	500V0.25	cap ceramic 3.9pF
C057A	306059	KO-KER	3.9PF	500V0.25	cap ceramic 3.9pF
C057B	306059	KO-KER	3.9PF	500V0.25	cap ceramic 3.9pF
C058A	354031	KO-EL	470.000MF	10V	cap electrolytic 470uF/10V
C058B	354031	KO-EL	470.000MF	10V	cap electrolytic 470uF/10V
C059A	354031	KO-EL	470.000MF	10V	cap electrolytic 470uF/10V
C059B	354031	KO-EL	470.000MF	10V	cap electrolytic 470uF/10V
C060A	340523	KO-EL	22.000MF	16V	cap electrolytic 22uF/16V
C060B	340523	KO-EL	22.000MF	16V	cap electrolytic 22uF/16V
C061A	340523	KO-EL	22.000MF	16V	cap electrolytic 22uF/16V
C061B	340523	KO-EL	22.000MF	16V	cap electrolytic 22uF/16V
C062A	342932	KO-FOL	0.015MF	100V 5%	cap mylar 15nF
C062B	342932	KO-FOL	0.015MF	100V 5%	cap mylar 15nF
C063A	342932	KO-FOL	0.015MF	100V 5%	cap mylar 15nF
C063B	342932	KO-FOL	0.015MF	100V 5%	cap mylar 15nF
C064A	342934	KO-FOL	0.033MF	100V 5%	cap mylar 33nF
C064B	342934	KO-FOL	0.033MF	100V 5%	cap mylar 33nF
C065A	342934	KO-FOL	0.033MF	100V 5%	cap mylar 33nF
C065B	342934	KO-FOL	0.033MF	100V 5%	cap mylar 33nF
C066A	342932	KO-FOL	0.015MF	100V 5%	cap mylar 15nF
C066B	342932	KO-FOL	0.015MF	100V 5%	cap mylar 15nF
C067A	342932	KO-FOL	0.015MF	100V 5%	cap mylar 15nF
C067B	342932	KO-FOL	0.015MF	100V 5%	cap mylar 15nF
C068A	342932	KO-FOL	0.015MF	100V 5%	cap mylar 15nF
C068B	342932	KO-FOL	0.015MF	100V 5%	cap mylar 15nF
C069A	342932	KO-FOL	0.015MF	100V 5%	cap mylar 15nF
C069B	342932	KO-FOL	0.015MF	100V 5%	cap mylar 15nF
C070A	342934	KO-FOL	0.033MF	100V 5%	cap mylar 33nF

170101		PSX 600 120V				
Pos. Nr.	Best. Nr.	Bezeichnung			Description	
Ref. No.	Part No.					
C070B	342934	KO-FOL	0.033MF	100V 5%	cap mylar 33nF	
C071A	342934	KO-FOL	0.033MF	100V 5%	cap mylar 33nF	
C071B	342934	KO-FOL	0.033MF	100V 5%	cap mylar 33nF	
C072A	342932	KO-FOL	0.015MF	100V 5%	cap mylar 15nF	
C072B	342932	KO-FOL	0.015MF	100V 5%	cap mylar 15nF	
C073A	342932	KO-FOL	0.015MF	100V 5%	cap mylar 15nF	
C073B	342932	KO-FOL	0.015MF	100V 5%	cap mylar 15nF	
C074A	340523	KO-EL	22.000MF	16V	cap electrolytic 22uF/16V	
C074B	340523	KO-EL	22.000MF	16V	cap electrolytic 22uF/16V	
C075A	340523	KO-EL	22.000MF	16V	cap electrolytic 22uF/16V	
C075B	340523	KO-EL	22.000MF	16V	cap electrolytic 22uF/16V	
C076A	301519	KO-KER	10.0PF	500V 10%	cap ceramic 10pF	
C076B	301519	KO-KER	10.0PF	500V 10%	cap ceramic 10pF	
C077A	301519	KO-KER	10.0PF	500V 10%	cap ceramic 10pF	
C077B	301519	KO-KER	10.0PF	500V 10%	cap ceramic 10pF	
C078A	340523	KO-EL	22.000MF	16V	cap electrolytic 22uF/16V	
C078B	340523	KO-EL	22.000MF	16V	cap electrolytic 22uF/16V	
C079A	340523	KO-EL	22.000MF	16V	cap electrolytic 22uF/16V	
C079B	340523	KO-EL	22.000MF	16V	cap electrolytic 22uF/16V	
C080A	340523	KO-EL	22.000MF	16V	cap electrolytic 22uF/16V	
C080B	340523	KO-EL	22.000MF	16V	cap electrolytic 22uF/16V	
C081A	340523	KO-EL	22.000MF	16V	cap electrolytic 22uF/16V	
C081B	340523	KO-EL	22.000MF	16V	cap electrolytic 22uF/16V	
C082A	340523	KO-EL	22.000MF	16V	cap electrolytic 22uF/16V	
C082B	340523	KO-EL	22.000MF	16V	cap electrolytic 22uF/16V	
C083A	340523	KO-EL	22.000MF	16V	cap electrolytic 22uF/16V	
C083B	340523	KO-EL	22.000MF	16V	cap electrolytic 22uF/16V	
C084A	301530	KO-KER	100.0PF	500V 10%	cap ceramic 100pF	
C084B	301530	KO-KER	100.0PF	500V 10%	cap ceramic 100pF	
C085A	301530	KO-KER	100.0PF	500V 10%	cap ceramic 100pF	
C085B	301530	KO-KER	100.0PF	500V 10%	cap ceramic 100pF	
C086A	340523	KO-EL	22.000MF	16V	cap electrolytic 22uF/16V	
C086B	340523	KO-EL	22.000MF	16V	cap electrolytic 22uF/16V	
C087A	340523	KO-EL	22.000MF	16V	cap electrolytic 22uF/16V	
C087B	340523	KO-EL	22.000MF	16V	cap electrolytic 22uF/16V	
C088A	343532	KO-EL	100.000MF	25V	cap electrolytic 100uF/25V	
C089A	343532	KO-EL	100.000MF	25V	cap electrolytic 100uF/25V	
C090A	329021	KO-KER	0.10MF	100V 20%	cap ceramic 100nF	
C091A	329021	KO-KER	0.10MF	100V 20%	cap ceramic 100nF	
C092A	329021	KO-KER	0.10MF	100V 20%	cap ceramic 100nF	
C093A	329021	KO-KER	0.10MF	100V 20%	cap ceramic 100nF	
C094A	329021	KO-KER	0.10MF	100V 20%	cap ceramic 100nF	
C095A	329021	KO-KER	0.10MF	100V 20%	cap ceramic 100nF	
C108A	329021	KO-KER	0.10MF	100V 20%	cap ceramic 100nF	
C108B	329021	KO-KER	0.10MF	100V 20%	cap ceramic 100nF	
C110A	340520	KO-EL	1.000MF	50V	cap electrolytic 1uF/50V	
C110B	340520	KO-EL	1.000MF	50V	cap electrolytic 1uF/50V	
C111A	340520	KO-EL	1.000MF	50V	cap electrolytic 1uF/50V	
C111B	340520	KO-EL	1.000MF	50V	cap electrolytic 1uF/50V	
C112A	329021	KO-KER	0.10MF	100V 20%	cap ceramic 100nF	
C112B	329021	KO-KER	0.10MF	100V 20%	cap ceramic 100nF	
D001A	301254	DIODE 1N 4148	AXIAL		diode 1N 4148	

170101		PSX 600 120V		
Pos. Nr.	Best. Nr.	Bezeichnung		Description
Ref. No.	Part No.			
D001B	301254	DIODE 1N 4148	AXIAL	diode 1N 4148
D001C	301254	DIODE 1N 4148	AXIAL	diode 1N 4148
D001D	301254	DIODE 1N 4148	AXIAL	diode 1N 4148
D001E	301254	DIODE 1N 4148	AXIAL	diode 1N 4148
D001F	301254	DIODE 1N 4148	AXIAL	diode 1N 4148
D002A	301254	DIODE 1N 4148	AXIAL	diode 1N 4148
D002B	301254	DIODE 1N 4148	AXIAL	diode 1N 4148
D002C	301254	DIODE 1N 4148	AXIAL	diode 1N 4148
D002D	301254	DIODE 1N 4148	AXIAL	diode 1N 4148
D002E	301254	DIODE 1N 4148	AXIAL	diode 1N 4148
D002F	301254	DIODE 1N 4148	AXIAL	diode 1N 4148
D004A	301254	DIODE 1N 4148	AXIAL	diode 1N 4148
D004B	301254	DIODE 1N 4148	AXIAL	diode 1N 4148
D004C	301254	DIODE 1N 4148	AXIAL	diode 1N 4148
D004D	301254	DIODE 1N 4148	AXIAL	diode 1N 4148
D004E	301254	DIODE 1N 4148	AXIAL	diode 1N 4148
D004F	301254	DIODE 1N 4148	AXIAL	diode 1N 4148
D005A	354004	LED GN 3MM	LOW CURRENT	led green
D005B	354004	LED GN 3MM	LOW CURRENT	led green
D005C	354004	LED GN 3MM	LOW CURRENT	led green
D005D	354004	LED GN 3MM	LOW CURRENT	led green
D005E	354004	LED GN 3MM	LOW CURRENT	led green
D005F	354004	LED GN 3MM	LOW CURRENT	led green
D006A	354003	LED RT 3MM	LOW CURRENT	led red
D006B	354003	LED RT 3MM	LOW CURRENT	led red
D006C	354003	LED RT 3MM	LOW CURRENT	led red
D006D	354003	LED RT 3MM	LOW CURRENT	led red
D006E	354003	LED RT 3MM	LOW CURRENT	led red
D006F	354003	LED RT 3MM	LOW CURRENT	led red
D007A	301254	DIODE 1N 4148	AXIAL	diode 1N 4148
D007B	301254	DIODE 1N 4148	AXIAL	diode 1N 4148
D007C	301254	DIODE 1N 4148	AXIAL	diode 1N 4148
D007D	301254	DIODE 1N 4148	AXIAL	diode 1N 4148
D007E	301254	DIODE 1N 4148	AXIAL	diode 1N 4148
D007F	301254	DIODE 1N 4148	AXIAL	diode 1N 4148
D008A	301254	DIODE 1N 4148	AXIAL	diode 1N 4148
D008B	301254	DIODE 1N 4148	AXIAL	diode 1N 4148
D008C	301254	DIODE 1N 4148	AXIAL	diode 1N 4148
D008D	301254	DIODE 1N 4148	AXIAL	diode 1N 4148
D008E	301254	DIODE 1N 4148	AXIAL	diode 1N 4148
D008F	301254	DIODE 1N 4148	AXIAL	diode 1N 4148
D0200	354003	LED RT 3MM	LOW CURRENT	led red
D0201	354003	LED RT 3MM	LOW CURRENT	led red
D0202	328788	DIODZ BZX 55C	5V1 0.50W	diode zener 5V1
D0203	354004	LED GN 3MM	LOW CURRENT	led green
D0204	354004	LED GN 3MM	LOW CURRENT	led green
D0205	329511	DIODZ BZX 55C	2V4 0.50W	diode zener 2V4
D0206	301254	DIODE 1N 4148	AXIAL	diode 1N 4148
D0207	354003	LED RT 3MM	LOW CURRENT	led red
D0208	354004	LED GN 3MM	LOW CURRENT	led green
D0209	354003	LED RT 3MM	LOW CURRENT	led red
D0210	354003	LED RT 3MM	LOW CURRENT	led red

170101		PSX 600 120V		
Pos. Nr.	Best. Nr.	Bezeichnung		Description
Ref. No.	Part No.			
D0400	301254	DIODE 1N 4148	AXIAL	diode 1N 4148
D0401	301254	DIODE 1N 4148	AXIAL	diode 1N 4148
D0402	301254	DIODE 1N 4148	AXIAL	diode 1N 4148
D0403	301254	DIODE 1N 4148	AXIAL	diode 1N 4148
D0404	354004	LED GN 3MM	LOW CURRENT	led green
D0405	354004	LED GN 3MM	LOW CURRENT	led green
D0406	354004	LED GN 3MM	LOW CURRENT	led green
D0407	354004	LED GN 3MM	LOW CURRENT	led green
D0408	354004	LED GN 3MM	LOW CURRENT	led green
D0409	354004	LED GN 3MM	LOW CURRENT	led green
D0410	354004	LED GN 3MM	LOW CURRENT	led green
D0411	354004	LED GN 3MM	LOW CURRENT	led green
D0412	354004	LED GN 3MM	LOW CURRENT	led green
D0413	354004	LED GN 3MM	LOW CURRENT	led green
D0414	354004	LED GN 3MM	LOW CURRENT	led green
D0415	354004	LED GN 3MM	LOW CURRENT	led green
D0416	354005	LED GE 3MM	LOW CURRENT	led yellow
D0417	354005	LED GE 3MM	LOW CURRENT	led yellow
D0418	354005	LED GE 3MM	LOW CURRENT	led yellow
D0419	354005	LED GE 3MM	LOW CURRENT	led yellow
D050A	301254	DIODE 1N 4148	AXIAL	diode 1N 4148
D050B	301254	DIODE 1N 4148	AXIAL	diode 1N 4148
D051A	301254	DIODE 1N 4148	AXIAL	diode 1N 4148
D051B	301254	DIODE 1N 4148	AXIAL	diode 1N 4148
D052A	301254	DIODE 1N 4148	AXIAL	diode 1N 4148
D052B	301254	DIODE 1N 4148	AXIAL	diode 1N 4148
D053A	301254	DIODE 1N 4148	AXIAL	diode 1N 4148
D053B	301254	DIODE 1N 4148	AXIAL	diode 1N 4148
D054A	301254	DIODE 1N 4148	AXIAL	diode 1N 4148
D054B	301254	DIODE 1N 4148	AXIAL	diode 1N 4148
D055A	301254	DIODE 1N 4148	AXIAL	diode 1N 4148
D055B	301254	DIODE 1N 4148	AXIAL	diode 1N 4148
D056A	354004	LED GN 3MM	LOW CURRENT	led green
D056B	354004	LED GN 3MM	LOW CURRENT	led green
D057A	354003	LED RT 3MM	LOW CURRENT	led red
D057B	354003	LED RT 3MM	LOW CURRENT	led red
E0400	356745	RELAIS M4-24H		relay 24V
I001A	327197	IC NE 5532 P	2FACH OP	IC NE 5532 N
I001B	327197	IC NE 5532 P	2FACH OP	IC NE 5532 N
I001C	327197	IC NE 5532 P	2FACH OP	IC NE 5532 N
I002A	331340	IC TL 072 CP	2FACH OP	IC TL 072 CP
I002B	331340	IC TL 072 CP	2FACH OP	IC TL 072 CP
I002C	331340	IC TL 072 CP	2FACH OP	IC TL 072 CP
I003A	327197	IC NE 5532 P	2FACH OP	IC NE 5532 N
I003B	327197	IC NE 5532 P	2FACH OP	IC NE 5532 N
I003C	327197	IC NE 5532 P	2FACH OP	IC NE 5532 N
I004A	343502	IC LM 2901 N		IC LM 2901
I004B	343502	IC LM 2901 N		IC LM 2901
I004C	343502	IC LM 2901 N		IC LM 2901
I0200	354933	IC NJM 2068 D	DUAL IN	IC NJM 2068
I0201	327197	IC NE 5532 P	2FACH OP	IC NE 5532 N
I0202	354931	IC NJM 072 BL	SINGLE IN	IC NJM 072

170101		PSX 600 120V		
Pos. Nr.	Best. Nr.			
Ref. No.	Part No.	Bezeichnung		Description
I0203	354931	IC NJM 072 BL	SINGLE IN	IC NJM 072
I0204	354931	IC NJM 072 BL	SINGLE IN	IC NJM 072
I0205	354931	IC NJM 072 BL	SINGLE IN	IC NJM 072
I0206	354931	IC NJM 072 BL	SINGLE IN	IC NJM 072
I0207	354931	IC NJM 072 BL	SINGLE IN	IC NJM 072
I0208	354931	IC NJM 072 BL	SINGLE IN	IC NJM 072
I0209	354931	IC NJM 072 BL	SINGLE IN	IC NJM 072
I0210	354934	IC NJM 2068 L	SINGLE IN	IC NJM 2068 L
I0211	327197	IC NE 5532 P	2FACH OP	IC NE 5532 N
I0212	327197	IC NE 5532 P	2FACH OP	IC NE 5532 N
I0213	327197	IC NE 5532 P	2FACH OP	IC NE 5532 N
I0214	331340	IC TL 072 CP	2FACH OP	IC TL 072 CP
I0215	344864	IC NJM 4556 AD	2-FACH OP	IC NJM 4556 D
I0216	331340	IC TL 072 CP	2FACH OP	IC TL 072 CP
I0217	331340	IC TL 072 CP	2FACH OP	IC TL 072 CP
I0218	327197	IC NE 5532 P	2FACH OP	IC NE 5532 N
I0400	331340	IC TL 072 CP	2FACH OP	IC TL 072 CP
I0401	343502	IC LM 2901 N		IC LM 2901
I0402	343502	IC LM 2901 N		IC LM 2901
I0403	343502	IC LM 2901 N		IC LM 2901
I0404	343502	IC LM 2901 N		IC LM 2901
I050A	327197	IC NE 5532 P	2FACH OP	IC NE 5532 N
I051A	327197	IC NE 5532 P	2FACH OP	IC NE 5532 N
I052A	332985	IC TL 074 CN		IC TL 074 CN
I053A	327197	IC NE 5532 P	2FACH OP	IC NE 5532 N
I054A	327197	IC NE 5532 P	2FACH OP	IC NE 5532 N
I055A	343502	IC LM 2901 N		IC LM 2901
JS01A	354000	BUCHSE-FL. XLR 3POL	SW	xlr connector female
JS01B	354000	BUCHSE-FL. XLR 3POL	SW	xlr connector female
JS01C	354000	BUCHSE-FL. XLR 3POL	SW	xlr connector female
JS01D	354000	BUCHSE-FL. XLR 3POL	SW	xlr connector female
JS01E	354000	BUCHSE-FL. XLR 3POL	SW	xlr connector female
JS01F	354000	BUCHSE-FL. XLR 3POL	SW	xlr connector female
JS019	354001	BUCHSE-KOAXIAL-STEREO		phone jack stereo
JS02A	354001	BUCHSE-KOAXIAL-STEREO		phone jack stereo
JS02B	354001	BUCHSE-KOAXIAL-STEREO		phone jack stereo
JS02C	354001	BUCHSE-KOAXIAL-STEREO		phone jack stereo
JS02D	354001	BUCHSE-KOAXIAL-STEREO		phone jack stereo
JS02E	354001	BUCHSE-KOAXIAL-STEREO		phone jack stereo
JS02F	354001	BUCHSE-KOAXIAL-STEREO		phone jack stereo
JS200	354001	BUCHSE-KOAXIAL-STEREO		phone jack stereo
JS201	354001	BUCHSE-KOAXIAL-STEREO		phone jack stereo
JS202	354001	BUCHSE-KOAXIAL-STEREO		phone jack stereo
JS203	354001	BUCHSE-KOAXIAL-STEREO		phone jack stereo
JS204	354001	BUCHSE-KOAXIAL-STEREO		phone jack stereo
JS205	354001	BUCHSE-KOAXIAL-STEREO		phone jack stereo
JS206	354002	BUCHSE-CINCH	4X CINCH	connector cinch
JS207	354001	BUCHSE-KOAXIAL-STEREO		phone jack stereo
JS50A	354001	BUCHSE-KOAXIAL-STEREO		phone jack stereo
JS50B	354001	BUCHSE-KOAXIAL-STEREO		phone jack stereo
JS51A	354001	BUCHSE-KOAXIAL-STEREO		phone jack stereo
JS51B	354001	BUCHSE-KOAXIAL-STEREO		phone jack stereo

170101		PSX 600 120V		
Pos. Nr.	Best. Nr.			
Ref. No.	Part No.	Bezeichnung		Description
Q001A	343536	TRANS 2SA 1084 E	TO 92	transistor 2SA 1084 E
Q001B	343536	TRANS 2SA 1084 E	TO 92	transistor 2SA 1084 E
Q001C	343536	TRANS 2SA 1084 E	TO 92	transistor 2SA 1084 E
Q001D	343536	TRANS 2SA 1084 E	TO 92	transistor 2SA 1084 E
Q001E	343536	TRANS 2SA 1084 E	TO 92	transistor 2SA 1084 E
Q001F	343536	TRANS 2SA 1084 E	TO 92	transistor 2SA 1084 E
Q002A	301184	TRANS BC 550 C		transistor BC 550 B
Q002B	301184	TRANS BC 550 C		transistor BC 550 B
Q002C	301184	TRANS BC 550 C		transistor BC 550 B
Q002D	301184	TRANS BC 550 C		transistor BC 550 B
Q002E	301184	TRANS BC 550 C		transistor BC 550 B
Q002F	301184	TRANS BC 550 C		transistor BC 550 B
Q003A	343536	TRANS 2SA 1084 E	TO 92	transistor 2SA 1084 E
Q003B	343536	TRANS 2SA 1084 E	TO 92	transistor 2SA 1084 E
Q003C	343536	TRANS 2SA 1084 E	TO 92	transistor 2SA 1084 E
Q003D	343536	TRANS 2SA 1084 E	TO 92	transistor 2SA 1084 E
Q003E	343536	TRANS 2SA 1084 E	TO 92	transistor 2SA 1084 E
Q003F	343536	TRANS 2SA 1084 E	TO 92	transistor 2SA 1084 E
Q004A	301184	TRANS BC 550 C		transistor BC 550 B
Q004B	301184	TRANS BC 550 C		transistor BC 550 B
Q004C	301184	TRANS BC 550 C		transistor BC 550 B
Q004D	301184	TRANS BC 550 C		transistor BC 550 B
Q004E	301184	TRANS BC 550 C		transistor BC 550 B
Q004F	301184	TRANS BC 550 C		transistor BC 550 B
Q0200	301184	TRANS BC 550 C		transistor BC 550 B
Q0201	301184	TRANS BC 550 C		transistor BC 550 B
Q0203	330264	TRANS J 111		transistor J 111 A
Q0204	330264	TRANS J 111		transistor J 111 A
Q0205	330264	TRANS J 111		transistor J 111 A
Q0206	330264	TRANS J 111		transistor J 111 A
Q0207	301184	TRANS BC 550 C		transistor BC 550 B
Q0208	301184	TRANS BC 550 C		transistor BC 550 B
Q0209	306928	TRANS BC 560 C		transistor BC 560 C
Q0210	307150	TRANS BC 337-25	TO 92	transistor BC 337-25
Q0400	306928	TRANS BC 560 C		transistor BC 560 C
Q0401	306928	TRANS BC 560 C		transistor BC 560 C
R0375	340299	WI-SI 2.20 OHM 0.30W 5%		safety resistor 2.20 Ohm
R0376	340299	WI-SI 2.20 OHM 0.30W 5%		safety resistor 2.20 Ohm
S0002	354006	SCHALTER-RAST 2XUM		switch 2pdt
S0009	354006	SCHALTER-RAST 2XUM		switch 2pdt
S0010	354006	SCHALTER-RAST 2XUM		switch 2pdt
S0201	354008	SCHALTER-TAST 2XUM		switch 2pdt momentary
S0202	354008	SCHALTER-TAST 2XUM		switch 2pdt momentary
S0203	354008	SCHALTER-TAST 2XUM		switch 2pdt momentary
S0204	354008	SCHALTER-TAST 2XUM		switch 2pdt momentary
VR01A	352323	P-DREH 5KOHM LOG NEG XX		pot 5k XX
VR01B	352323	P-DREH 5KOHM LOG NEG XX		pot 5k XX
VR01C	352323	P-DREH 5KOHM LOG NEG XX		pot 5k XX
VR01D	352323	P-DREH 5KOHM LOG NEG XX		pot 5k XX
VR01E	352323	P-DREH 5KOHM LOG NEG XX		pot 5k XX
VR01F	352323	P-DREH 5KOHM LOG NEG XX		pot 5k XX
VR012	352328	P-DREH 20KOHM LOG POS K		pot 20k K

170101		PSX 600 120V			
Pos. Nr.	Best. Nr.	Bezeichnung		Description	
Ref. No.	Part No.				
VR015	352328	P-DREH	20KOHM LOG POS K	pot 20k K	
VR018	354262	P-SHIB	10KOHM LOG POS A	fader 10k A	
VR02A	352324	P-DREH	50KOHM LIN B	pot 50k B	
VR02B	352324	P-DREH	50KOHM LIN B	pot 50k B	
VR02C	352324	P-DREH	50KOHM LIN B	pot 50k B	
VR02D	352324	P-DREH	50KOHM LIN B	pot 50k B	
VR02E	352324	P-DREH	50KOHM LIN B	pot 50k B	
VR02F	352324	P-DREH	50KOHM LIN B	pot 50k B	
VR020	352328	P-DREH	20KOHM LOG POS K	pot 20k K	
VR022	354414	P-SHIB	10KOHM SELEKT.AUS	fader 10k A / selected	
VR023	354414	P-SHIB	10KOHM SELEKT.AUS	fader 10k A / selected	
VR03A	352324	P-DREH	50KOHM LIN B	pot 50k B	
VR03B	352324	P-DREH	50KOHM LIN B	pot 50k B	
VR03C	352324	P-DREH	50KOHM LIN B	pot 50k B	
VR03D	352324	P-DREH	50KOHM LIN B	pot 50k B	
VR03E	352324	P-DREH	50KOHM LIN B	pot 50k B	
VR03F	352324	P-DREH	50KOHM LIN B	pot 50k B	
VR04A	352324	P-DREH	50KOHM LIN B	pot 50k B	
VR04B	352324	P-DREH	50KOHM LIN B	pot 50k B	
VR04C	352324	P-DREH	50KOHM LIN B	pot 50k B	
VR04D	352324	P-DREH	50KOHM LIN B	pot 50k B	
VR04E	352324	P-DREH	50KOHM LIN B	pot 50k B	
VR04F	352324	P-DREH	50KOHM LIN B	pot 50k B	
VR05A	354262	P-SHIB	10KOHM LOG POS A	fader 10k A	
VR05B	354262	P-SHIB	10KOHM LOG POS A	fader 10k A	
VR05C	354262	P-SHIB	10KOHM LOG POS A	fader 10k A	
VR05D	354262	P-SHIB	10KOHM LOG POS A	fader 10k A	
VR05E	354262	P-SHIB	10KOHM LOG POS A	fader 10k A	
VR05F	354262	P-SHIB	10KOHM LOG POS A	fader 10k A	
VR06A	352327	P-DREH	2X 10KOHM AC	pot 2x10k AC	
VR06B	352327	P-DREH	2X 10KOHM AC	pot 2x10k AC	
VR06C	352327	P-DREH	2X 10KOHM AC	pot 2x10k AC	
VR06D	352327	P-DREH	2X 10KOHM AC	pot 2x10k AC	
VR06E	352327	P-DREH	2X 10KOHM AC	pot 2x10k AC	
VR06F	352327	P-DREH	2X 10KOHM AC	pot 2x10k AC	
VR07A	352328	P-DREH	20KOHM LOG POS K	pot 20k K	
VR07B	352328	P-DREH	20KOHM LOG POS K	pot 20k K	
VR07C	352328	P-DREH	20KOHM LOG POS K	pot 20k K	
VR07D	352328	P-DREH	20KOHM LOG POS K	pot 20k K	
VR07E	352328	P-DREH	20KOHM LOG POS K	pot 20k K	
VR07F	352328	P-DREH	20KOHM LOG POS K	pot 20k K	
VR08A	352328	P-DREH	20KOHM LOG POS K	pot 20k K	
VR08B	352328	P-DREH	20KOHM LOG POS K	pot 20k K	
VR08C	352328	P-DREH	20KOHM LOG POS K	pot 20k K	
VR08D	352328	P-DREH	20KOHM LOG POS K	pot 20k K	
VR08E	352328	P-DREH	20KOHM LOG POS K	pot 20k K	
VR08F	352328	P-DREH	20KOHM LOG POS K	pot 20k K	
VR201	354930	P-SHIB	2X 10KOHM LIN B	fader 2x10k B	
VR202	354930	P-SHIB	2X 10KOHM LIN B	fader 2x10k B	
VR203	354930	P-SHIB	2X 10KOHM LIN B	fader 2x10k B	
VR204	354930	P-SHIB	2X 10KOHM LIN B	fader 2x10k B	
VR205	354930	P-SHIB	2X 10KOHM LIN B	fader 2x10k B	

170101		PSX 600 120V		
Pos. Nr.	Best. Nr.			
Ref. No.	Part No.	Bezeichnung		Description

VR206	354930	P-SHIB 2X 10KOHM LIN	B	fader 2x10k B
VR207	354930	P-SHIB 2X 10KOHM LIN	B	fader 2x10k B
VR208	354262	P-SHIB 10KOHM LOG POS	A	fader 10k A
VR209	352329	P-DREH 2X 20KOHM LOG POS	K	pot 2x20k K
VR210	352329	P-DREH 2X 20KOHM LOG POS	K	pot 2x20k K
VR211	354263	P-SHIB 2X 10KOHM LOG POS	A	fader 2x10k A
VR212	354263	P-SHIB 2X 10KOHM LOG POS	A	fader 2x10k A
VR50A	352330	P-DREH 2X 5KOHM LOG POS	XX	pot 2x5k XX
VR50B	352330	P-DREH 2X 5KOHM LOG POS	XX	pot 2x5k XX
VR51A	352331	P-DREH 2X 50KOHM LIN	B	pot 2x50k B
VR51B	352331	P-DREH 2X 50KOHM LIN	B	pot 2x50k B
VR52A	352331	P-DREH 2X 50KOHM LIN	B	pot 2x50k B
VR52B	352331	P-DREH 2X 50KOHM LIN	B	pot 2x50k B
VR53A	352331	P-DREH 2X 50KOHM LIN	B	pot 2x50k B
VR53B	352331	P-DREH 2X 50KOHM LIN	B	pot 2x50k B
VR54A	354263	P-SHIB 2X 10KOHM LOG POS	A	fader 2x10k A
VR54B	354263	P-SHIB 2X 10KOHM LOG POS	A	fader 2x10k A
VR55A	352327	P-DREH 2X 10KOHM	AC	pot 2x10k AC
VR55B	352327	P-DREH 2X 10KOHM	AC	pot 2x10k AC
VR56A	352328	P-DREH 20KOHM LOG POS	K	pot 20k K
VR56B	352328	P-DREH 20KOHM LOG POS	K	pot 20k K
VR57A	352328	P-DREH 20KOHM LOG POS	K	pot 20k K
VR57B	352328	P-DREH 20KOHM LOG POS	K	pot 20k K

841968		PCBAR#PM 600 100V		pcb assy power amp
--------	--	-------------------	--	--------------------

CN-FX	330269	FL.STECKER	6.3/0.8	connector 6.3mm faston
CNAC1	343516	FL.STECKER	4.8/0.5	connector 4.8mm faston
CNAC2	343516	FL.STECKER	4.8/0.5	connector 4.8mm faston
CNDC+	330269	FL.STECKER	6.3/0.8	connector 6.3mm faston
CNDC-	330269	FL.STECKER	6.3/0.8	connector 6.3mm faston
CNGND	343516	FL.STECKER	4.8/0.5	connector 4.8mm faston
CNGN1	330269	FL.STECKER	6.3/0.8	connector 6.3mm faston
CNS12	354306	STIFTLEISTE	16POL	connector male 16-pin
CN001	349105	MESSERLST.	20POL	connector male 20-pin
CN002	348334	STIFTLEISTE	3POL MLSS	connector male 3-pin
CN008	348334	STIFTLEISTE	3POL MLSS	connector male 3-pin
CN010	330269	FL.STECKER	6.3/0.8	connector 6.3mm faston
CN011	330269	FL.STECKER	6.3/0.8	connector 6.3mm faston
CN012	330269	FL.STECKER	6.3/0.8	connector 6.3mm faston
CN013	330269	FL.STECKER	6.3/0.8	connector 6.3mm faston
CN018	341937	MESSERLST.	4POL	connector male 4-pin
CN18X	341937	MESSERLST.	4POL	connector male 4-pin
C0001	342923	KO-FOL	0.220MF 63V 5%	cap mylar 220nF
C0002	307445	KO-EL	10.000MF 35V	cap electrolytic 10uF/35V
C0003	342923	KO-FOL	0.220MF 63V 5%	cap mylar 220nF
C0005	329021	KO-KER	0.10MF 100V 20%	cap ceramic 100nF
C0006	329021	KO-KER	0.10MF 100V 20%	cap ceramic 100nF
C0007	343530	KO-EL	47.000MF 50V	cap electrolytic 47uF/50V
C0008	329021	KO-KER	0.10MF 100V 20%	cap ceramic 100nF
C0009	342923	KO-FOL	0.220MF 63V 5%	cap mylar 220nF
C0010	342923	KO-FOL	0.220MF 63V 5%	cap mylar 220nF

170101		PSX 600 120V			
Pos. Nr.	Best. Nr.	Bezeichnung			Description
Ref. No.	Part No.				
C0011	354926	KO-EL	6800.000MF	80V 20%	cap electrolytic 6800uF/80V
C0012	354926	KO-EL	6800.000MF	80V 20%	cap electrolytic 6800uF/80V
C0013	301491	KO-EL	100.000MF	50V	cap electrolytic 100uF/50V
C0014	301491	KO-EL	100.000MF	50V	cap electrolytic 100uF/50V
C0016	329021	KO-KER	0.10MF	100V 20%	cap ceramic 100nF
C0017	329021	KO-KER	0.10MF	100V 20%	cap ceramic 100nF
C0018	356661	KO-EL	2200.000MF	35V	cap electrolytic 2200uF/35V
C0019	356661	KO-EL	2200.000MF	35V	cap electrolytic 2200uF/35V
C0020	342923	KO-FOL	0.220MF	63V 5%	cap mylar 220nF
C0021	337237	KO-FOL	0.047MF	100V 5%	cap mylar 47nF
C0022	337237	KO-FOL	0.047MF	100V 5%	cap mylar 47nF
C0023	342936	KO-FOL	0.150MF	63V 5%	cap mylar 150nF
C0024	342936	KO-FOL	0.150MF	63V 5%	cap mylar 150nF
C0025	344105	KO-FOL	0.027MF	100V 5%	cap mylar 27nF
C0026	344109	KO-FOL	0.056MF	63V 5%	cap mylar 56nF
C0027	341276	KO-FOL	0.012MF	100V 5%	cap mylar 12nF
C0028	341276	KO-FOL	0.012MF	100V 5%	cap mylar 12nF
C0029	344105	KO-FOL	0.027MF	100V 5%	cap mylar 27nF
C0030	329021	KO-KER	0.10MF	100V 20%	cap ceramic 100nF
C0031	329021	KO-KER	0.10MF	100V 20%	cap ceramic 100nF
C0032	341714	KO-SO	0.10MF	275V 20% K	safety cap 100nF/275V
C0033	344109	KO-FOL	0.056MF	63V 5%	cap mylar 56nF
C0036	329021	KO-KER	0.10MF	100V 20%	cap ceramic 100nF
C0037	329021	KO-KER	0.10MF	100V 20%	cap ceramic 100nF
C0038	301478	KO-EL	22.000MF	63V	cap electrolytic 22uF/63V
C0039	301478	KO-EL	22.000MF	63V	cap electrolytic 22uF/63V
C0040	329021	KO-KER	0.10MF	100V 20%	cap ceramic 100nF
C0041	329021	KO-KER	0.10MF	100V 20%	cap ceramic 100nF
C0042	343534	KO-EL	1000.000MF	16V	cap electrolytic 1000uF/16V
C0043	343534	KO-EL	1000.000MF	16V	cap electrolytic 1000uF/16V
C0044	341920	KO-EL	470.000MF	63V	cap electrolytic 470uF/63V
C0045	329021	KO-KER	0.10MF	100V 20%	cap ceramic 100nF
C0046	301524	KO-KER	47.0PF	500V 10%	cap ceramic 47pF
C0047	343530	KO-EL	47.000MF	50V	cap electrolytic 47uF/50V
C0048	307445	KO-EL	10.000MF	35V	cap electrolytic 10uF/35V
C0049	343532	KO-EL	100.000MF	25V	cap electrolytic 100uF/25V
C0050	329021	KO-KER	0.10MF	100V 20%	cap ceramic 100nF
C0051	329021	KO-KER	0.10MF	100V 20%	cap ceramic 100nF
C0052	329021	KO-KER	0.10MF	100V 20%	cap ceramic 100nF
C0100	301558	KO-KER	33.0PF	100V 2%	cap ceramic 33pF
C0101	301558	KO-KER	33.0PF	100V 2%	cap ceramic 33pF
C0102	301478	KO-EL	22.000MF	63V	cap electrolytic 22uF/63V
C0103	301558	KO-KER	33.0PF	100V 2%	cap ceramic 33pF
C0104	335787	KO-KER	15.0PF	100V 2%	cap ceramic 15pF
C0105	301458	KO-EL	2.200MF	63V	cap electrolytic 2.2uF/63V
C0106	327390	KO-FOL	470.000PF	100V 5%	cap mylar 470pF
C0107	340988	KO-FOL	0.470MF	63V 5%	cap mylar 470nF
C0108	301530	KO-KER	100.0PF	500V 10%	cap ceramic 100pF
C0109	343532	KO-EL	100.000MF	25V	cap electrolytic 100uF/25V
C0110	343532	KO-EL	100.000MF	25V	cap electrolytic 100uF/25V
C0111	342923	KO-FOL	0.220MF	63V 5%	cap mylar 220nF
C0112	343532	KO-EL	100.000MF	25V	cap electrolytic 100uF/25V

170101		PSX 600 120V			
Pos. Nr.	Best. Nr.	Bezeichnung		Description	
Ref. No.	Part No.				
C0113	343532	KO-EL	100.000MF	25V	cap electrolytic 100uF/25V
C0114	329021	KO-KER	0.10MF	100V 20%	cap ceramic 100nF
C0115	329021	KO-KER	0.10MF	100V 20%	cap ceramic 100nF
C0116	343532	KO-EL	100.000MF	25V	cap electrolytic 100uF/25V
C0117	351994	KO-KER	120.0PF	500V 2%	cap ceramic 120pF
C0118	351994	KO-KER	120.0PF	500V 2%	cap ceramic 120pF
C0119	301458	KO-EL	2.200MF	63V	cap electrolytic 2.2uF/63V
C0120	356605	KO-FOL	0.100MF	250V 5%	cap mylar 100nF
C0123	301519	KO-KER	10.0PF	500V 10%	cap ceramic 10pF
C0124	301519	KO-KER	10.0PF	500V 10%	cap ceramic 10pF
C0125	301474	KO-EL	22.000MF	16V BIP	cap bip electr. 22uF/16V
C0126	329021	KO-KER	0.10MF	100V 20%	cap ceramic 100nF
C0127	329021	KO-KER	0.10MF	100V 20%	cap ceramic 100nF
C0128	329021	KO-KER	0.10MF	100V 20%	cap ceramic 100nF
C0129	329021	KO-KER	0.10MF	100V 20%	cap ceramic 100nF
C0300	301558	KO-KER	33.0PF	100V 2%	cap ceramic 33pF
C0301	301558	KO-KER	33.0PF	100V 2%	cap ceramic 33pF
C0302	301478	KO-EL	22.000MF	63V	cap electrolytic 22uF/63V
C0303	301558	KO-KER	33.0PF	100V 2%	cap ceramic 33pF
C0304	335787	KO-KER	15.0PF	100V 2%	cap ceramic 15pF
C0305	301458	KO-EL	2.200MF	63V	cap electrolytic 2.2uF/63V
C0306	327390	KO-FOL	470.000PF	100V 5%	cap mylar 470pF
C0307	340988	KO-FOL	0.470MF	63V 5%	cap mylar 470nF
C0308	301530	KO-KER	100.0PF	500V 10%	cap ceramic 100pF
C0309	343532	KO-EL	100.000MF	25V	cap electrolytic 100uF/25V
C0310	343532	KO-EL	100.000MF	25V	cap electrolytic 100uF/25V
C0311	342923	KO-FOL	0.220MF	63V 5%	cap mylar 220nF
C0312	343532	KO-EL	100.000MF	25V	cap electrolytic 100uF/25V
C0313	343532	KO-EL	100.000MF	25V	cap electrolytic 100uF/25V
C0314	329021	KO-KER	0.10MF	100V 20%	cap ceramic 100nF
C0315	329021	KO-KER	0.10MF	100V 20%	cap ceramic 100nF
C0316	343532	KO-EL	100.000MF	25V	cap electrolytic 100uF/25V
C0317	351994	KO-KER	120.0PF	500V 2%	cap ceramic 120pF
C0318	351994	KO-KER	120.0PF	500V 2%	cap ceramic 120pF
C0319	301458	KO-EL	2.200MF	63V	cap electrolytic 2.2uF/63V
C0320	356605	KO-FOL	0.100MF	250V 5%	cap mylar 100nF
C0323	301519	KO-KER	10.0PF	500V 10%	cap ceramic 10pF
C0324	301519	KO-KER	10.0PF	500V 10%	cap ceramic 10pF
C0325	301474	KO-EL	22.000MF	16V BIP	cap bip electr. 22uF/16V
C0326	329021	KO-KER	0.10MF	100V 20%	cap ceramic 100nF
C0327	329021	KO-KER	0.10MF	100V 20%	cap ceramic 100nF
C0328	329021	KO-KER	0.10MF	100V 20%	cap ceramic 100nF
C0329	329021	KO-KER	0.10MF	100V 20%	cap ceramic 100nF
D0001	301254	DIODE 1N 4148	AXIAL		diode 1N 4148
D0002	304360	DIODE 1N 4007	GEGURTET		diode 1N 4002
D0003	301254	DIODE 1N 4148	AXIAL		diode 1N 4148
D0004	301254	DIODE 1N 4148	AXIAL		diode 1N 4148
D0005	301254	DIODE 1N 4148	AXIAL		diode 1N 4148
D0006	301254	DIODE 1N 4148	AXIAL		diode 1N 4148
D0007	301254	DIODE 1N 4148	AXIAL		diode 1N 4148
D0008	301254	DIODE 1N 4148	AXIAL		diode 1N 4148
D0010	301254	DIODE 1N 4148	AXIAL		diode 1N 4148

170101		PSX 600 120V		
Pos. Nr.	Best. Nr.			Description
Ref. No.	Part No.	Bezeichnung		
D0011	301254	DIODE 1N 4148	AXIAL	diode 1N 4148
D0012	301254	DIODE 1N 4148	AXIAL	diode 1N 4148
D0013	304360	DIODE 1N 4007	GEGURTET	diode 1N 4002
D0014	301254	DIODE 1N 4148	AXIAL	diode 1N 4148
D0015	301254	DIODE 1N 4148	AXIAL	diode 1N 4148
D0016	304360	DIODE 1N 4007	GEGURTET	diode 1N 4002
D0017	304360	DIODE 1N 4007	GEGURTET	diode 1N 4002
D0018	304360	DIODE 1N 4007	GEGURTET	diode 1N 4002
D0019	304360	DIODE 1N 4007	GEGURTET	diode 1N 4002
D0020	304360	DIODE 1N 4007	GEGURTET	diode 1N 4002
D0021	304360	DIODE 1N 4007	GEGURTET	diode 1N 4002
D0022	304360	DIODE 1N 4007	GEGURTET	diode 1N 4002
D0023	304360	DIODE 1N 4007	GEGURTET	diode 1N 4002
D0024	304360	DIODE 1N 4007	GEGURTET	diode 1N 4002
D0025	304360	DIODE 1N 4007	GEGURTET	diode 1N 4002
D0026	304992	DIODZ BZX 55C	6V8 0.50W	diode zener 6V8
D0027	304360	DIODE 1N 4007	GEGURTET	diode 1N 4002
D0028	354928	DIODZ 1N 5363B	30V 5.00W	diode zener 30V/5W
D0100	301254	DIODE 1N 4148	AXIAL	diode 1N 4148
D0101	301254	DIODE 1N 4148	AXIAL	diode 1N 4148
D0102	301254	DIODE 1N 4148	AXIAL	diode 1N 4148
D0104	329511	DIODZ BZX 55C	2V4 0.50W	diode zener 2V4
D0105	309450	DIODZ BZX 55C	15V 0.50W	diode zener 15V
D0106	309450	DIODZ BZX 55C	15V 0.50W	diode zener 15V
D0107	301254	DIODE 1N 4148	AXIAL	diode 1N 4148
D0108	301254	DIODE 1N 4148	AXIAL	diode 1N 4148
D0109	301254	DIODE 1N 4148	AXIAL	diode 1N 4148
D0110	301254	DIODE 1N 4148	AXIAL	diode 1N 4148
D0111	307916	DIODZ BZX 55C	7V5 0.50W	diode zener 7V5
D0112	307916	DIODZ BZX 55C	7V5 0.50W	diode zener 7V5
D0113	301254	DIODE 1N 4148	AXIAL	diode 1N 4148
D0114	304360	DIODE 1N 4007	GEGURTET	diode 1N 4002
D0115	304360	DIODE 1N 4007	GEGURTET	diode 1N 4002
D0116	301254	DIODE 1N 4148	AXIAL	diode 1N 4148
D0117	301254	DIODE 1N 4148	AXIAL	diode 1N 4148
D0300	301254	DIODE 1N 4148	AXIAL	diode 1N 4148
D0301	301254	DIODE 1N 4148	AXIAL	diode 1N 4148
D0302	301254	DIODE 1N 4148	AXIAL	diode 1N 4148
D0304	329511	DIODZ BZX 55C	2V4 0.50W	diode zener 2V4
D0305	309450	DIODZ BZX 55C	15V 0.50W	diode zener 15V
D0306	309450	DIODZ BZX 55C	15V 0.50W	diode zener 15V
D0307	301254	DIODE 1N 4148	AXIAL	diode 1N 4148
D0308	301254	DIODE 1N 4148	AXIAL	diode 1N 4148
D0309	301254	DIODE 1N 4148	AXIAL	diode 1N 4148
D0310	301254	DIODE 1N 4148	AXIAL	diode 1N 4148
D0311	307916	DIODZ BZX 55C	7V5 0.50W	diode zener 7V5
D0312	307916	DIODZ BZX 55C	7V5 0.50W	diode zener 7V5
D0313	301254	DIODE 1N 4148	AXIAL	diode 1N 4148
D0314	304360	DIODE 1N 4007	GEGURTET	diode 1N 4002
D0315	304360	DIODE 1N 4007	GEGURTET	diode 1N 4002
D0316	301254	DIODE 1N 4148	AXIAL	diode 1N 4148
D0317	301254	DIODE 1N 4148	AXIAL	diode 1N 4148

170101		PSX 600 120V	
Pos. Nr.	Best. Nr.		
Ref. No.	Part No.	Bezeichnung	Description
E0001	356656	RELAIS 845-N-2C-S-24VDC	relay 24V
E0100	354859	RELAIS 793-P-1C-S-24V DC	relay 24V
E0300	354859	RELAIS 793-P-1C-S-24V DC	relay 24V
F0001	302583	SICHER T 1.6 A 250V	fuse 1.6A slow blow
F0002	302583	SICHER T 1.6 A 250V	fuse 1.6A slow blow
F0003	343375	SICHER T 12.5 A 250V US	fuse 12.5A slow blow US
H0001	343456	DICKS-NETZW. 8PIN 2%	res.network 8x4k7
H0003	343456	DICKS-NETZW. 8PIN 2%	res.network 8x4k7
H0101	343457	DICKS-NETZW. 8PIN 2%	res.network 8x10k
H0301	343457	DICKS-NETZW. 8PIN 2%	res.network 8x10k
I0001	332985	IC TL 074 CN	IC TL 074 CN
I0004	354199	IC SPNG.REG. LM 317 T	IC LM 317 voltage regulator
I0005	354929	IC SPNG.REG. LM 337 T	IC LM 337 voltage regulator
I0006	309719	IC SPNG.REG. LM 340T05	IC MC 7805 C
I0100	327197	IC NE 5532 P 2FACH OP	IC NE 5532 N
I0101	327197	IC NE 5532 P 2FACH OP	IC NE 5532 N
I0102	307421	IC CA 3080 E OTA	IC CA 3080 E
I0103	354919	IC OP 97 FP	IC OP 97
I0104	332985	IC TL 074 CN	IC TL 074 CN
I0300	327197	IC NE 5532 P 2FACH OP	IC NE 5532 N
I0301	327197	IC NE 5532 P 2FACH OP	IC NE 5532 N
I0302	307421	IC CA 3080 E OTA	IC CA 3080 E
I0303	354919	IC OP 97 FP	IC OP 97
I0304	332985	IC TL 074 CN	IC TL 074 CN
JS001	338835	STECKER-KALTGERÄTE	connector male mains
L0001	354450	DROSSEL 150.00UH/0.70A	inductor 150uH
L0100	348592	FILTERSP. 2.50UH/0.004OHM	coil 2.5uH
L0300	348592	FILTERSP. 2.50UH/0.004OHM	coil 2.5uH
Q0001	306928	TRANS BC 560 C	transistor BC 560 C
Q0002	306928	TRANS BC 560 C	transistor BC 560 C
Q0003	306928	TRANS BC 560 C	transistor BC 560 C
Q0004	306928	TRANS BC 560 C	transistor BC 560 C
Q0005	306928	TRANS BC 560 C	transistor BC 560 C
Q0006	301236	TRANS BD 241 B	transistor BD 241 B
Q0007	348422	TRANS MPSA 42	transistor MPSA 42
Q0008	307150	TRANS BC 337-25 TO 92	transistor BC 337-25
Q0009	301184	TRANS BC 550 C	transistor BC 550 B
Q0010	307150	TRANS BC 337-25 TO 92	transistor BC 337-25
Q0011	307150	TRANS BC 337-25 TO 92	transistor BC 337-25
Q0012	348591	TRANS BC 618 DARL. TO 92	transistor BC 618
Q0013	307150	TRANS BC 337-25 TO 92	transistor BC 337-25
Q0023	348591	TRANS BC 618 DARL. TO 92	transistor BC 618
Q0100	348421	TRANS 2N 3906	transistor 2N 3906
Q0101	335763	TRANS 2N 3904	transistor 2N 3904
Q0103	330264	TRANS J 111	transistor J 111 A
Q0104	335763	TRANS 2N 3904	transistor 2N 3904
Q0105	348421	TRANS 2N 3906	transistor 2N 3906
Q0106	348422	TRANS MPSA 42	transistor MPSA 42
Q0107	348423	TRANS MPSA 92	transistor MPSA 92
Q0108	335763	TRANS 2N 3904	transistor 2N 3904
Q0109	348421	TRANS 2N 3906	transistor 2N 3906
Q0110	348422	TRANS MPSA 42	transistor MPSA 42

170101		PSX 600 120V	
Pos. Nr.	Best. Nr.		
Ref. No.	Part No.	Bezeichnung	Description
Q0111	348423	TRANS MPSA 92	transistor MPSA 92
Q0112	335763	TRANS 2N 3904	transistor 2N 3904
Q0113	348421	TRANS 2N 3906	transistor 2N 3906
Q0114	335763	TRANS 2N 3904	transistor 2N 3904
Q0115	348421	TRANS 2N 3906	transistor 2N 3906
Q0116	338869	TRANS MJE 350	transistor MJE 350
Q0117	338868	TRANS MJE 340	transistor MJE 340
Q0118	348409	TRANS 2SC 4793	transistor 2SC 4793
Q0119	348421	TRANS 2N 3906	transistor 2N 3906
Q0120	335763	TRANS 2N 3904	transistor 2N 3904
Q0121	335763	TRANS 2N 3904	transistor 2N 3904
Q0122	348421	TRANS 2N 3906	transistor 2N 3906
Q0123	328887	TRANS MJE 15030	trans. MJE 15030
Q0124	328888	TRANS MJE 15031	trans. MJE 15031
Q0125	328889	TRANS MJ 15003	trans. MJ 15003
Q0126	328890	TRANS MJ 15004	trans. MJ 15004
Q0127	328889	TRANS MJ 15003	trans. MJ 15003
Q0128	328890	TRANS MJ 15004	trans. MJ 15004
Q0135	348422	TRANS MPSA 42	transistor MPSA 42
Q0136	348423	TRANS MPSA 92	transistor MPSA 92
Q0137	348423	TRANS MPSA 92	transistor MPSA 92
Q0138	348422	TRANS MPSA 42	transistor MPSA 42
Q0139	307911	TRANS BF 393	transistor BF 391
Q0140	307911	TRANS BF 393	transistor BF 391
Q0141	348423	TRANS MPSA 92	transistor MPSA 92
Q0142	348423	TRANS MPSA 92	transistor MPSA 92
Q0143	348421	TRANS 2N 3906	transistor 2N 3906
Q0144	348421	TRANS 2N 3906	transistor 2N 3906
Q0145	335763	TRANS 2N 3904	transistor 2N 3904
Q0300	348421	TRANS 2N 3906	transistor 2N 3906
Q0301	335763	TRANS 2N 3904	transistor 2N 3904
Q0303	330264	TRANS J 111	transistor J 111 A
Q0304	335763	TRANS 2N 3904	transistor 2N 3904
Q0305	348421	TRANS 2N 3906	transistor 2N 3906
Q0306	348422	TRANS MPSA 42	transistor MPSA 42
Q0307	348423	TRANS MPSA 92	transistor MPSA 92
Q0308	335763	TRANS 2N 3904	transistor 2N 3904
Q0309	348421	TRANS 2N 3906	transistor 2N 3906
Q0310	348422	TRANS MPSA 42	transistor MPSA 42
Q0311	348423	TRANS MPSA 92	transistor MPSA 92
Q0312	335763	TRANS 2N 3904	transistor 2N 3904
Q0313	348421	TRANS 2N 3906	transistor 2N 3906
Q0314	335763	TRANS 2N 3904	transistor 2N 3904
Q0315	348421	TRANS 2N 3906	transistor 2N 3906
Q0316	338869	TRANS MJE 350	transistor MJE 350
Q0317	338868	TRANS MJE 340	transistor MJE 340
Q0318	348409	TRANS 2SC 4793	transistor 2SC 4793
Q0319	348421	TRANS 2N 3906	transistor 2N 3906
Q0320	335763	TRANS 2N 3904	transistor 2N 3904
Q0321	335763	TRANS 2N 3904	transistor 2N 3904
Q0322	348421	TRANS 2N 3906	transistor 2N 3906
Q0323	328887	TRANS MJE 15030	trans. MJE 15030

170101		PSX 600 120V		
Pos. Nr.	Best. Nr.			
Ref. No.	Part No.	Bezeichnung	Description	

Q0324	328888	TRANS MJE 15031	trans. MJE 15031	
Q0325	328889	TRANS MJ 15003	trans. MJ 15003	
Q0326	328890	TRANS MJ 15004	trans. MJ 15004	
Q0327	328889	TRANS MJ 15003	trans. MJ 15003	
Q0328	328890	TRANS MJ 15004	trans. MJ 15004	
Q0335	348422	TRANS MPSA 42	transistor MPSA 42	
Q0336	348423	TRANS MPSA 92	transistor MPSA 92	
Q0337	348423	TRANS MPSA 92	transistor MPSA 92	
Q0338	348422	TRANS MPSA 42	transistor MPSA 42	
Q0339	307911	TRANS BF 393	transistor BF 391	
Q0340	307911	TRANS BF 393	transistor BF 391	
Q0341	348423	TRANS MPSA 92	transistor MPSA 92	
Q0342	348423	TRANS MPSA 92	transistor MPSA 92	
Q0343	348421	TRANS 2N 3906	transistor 2N 3906	
Q0344	348421	TRANS 2N 3906	transistor 2N 3906	
Q0345	335763	TRANS 2N 3904	transistor 2N 3904	
R0037	348490	WI-SO NTC K 164/100K/J	safety component NTC	
R0065	348550	WI-SO NTC 10 OHM K	safety resistor 10 Ohm	
R0185	348456	WI-DR 2X 0.22 OHM 5.00W 5%	resistor 2x0.22 Ohm 5watt	
R0188	348456	WI-DR 2X 0.22 OHM 5.00W 5%	resistor 2x0.22 Ohm 5watt	
R0208	348593	WI-SO NTC K 164/2.2K	safety component NTC	
R0209	348593	WI-SO NTC K 164/2.2K	safety component NTC	
R0223	348590	WI-DR 8.20 OHM 4.00W 5%	resistor 8.20 Ohm 4watt	
R0227	341713	WI-DR 4.70 OHM 4.00W 5%	resistor 4.70 Ohm 4watt	
R0385	348456	WI-DR 2X 0.22 OHM 5.00W 5%	resistor 2x0.22 Ohm 5watt	
R0388	348456	WI-DR 2X 0.22 OHM 5.00W 5%	resistor 2x0.22 Ohm 5watt	
R0408	348593	WI-SO NTC K 164/2.2K	safety component NTC	
R0409	348593	WI-SO NTC K 164/2.2K	safety component NTC	
R0423	348590	WI-DR 8.20 OHM 4.00W 5%	resistor 8.20 Ohm 4watt	
R0427	341713	WI-DR 4.70 OHM 4.00W 5%	resistor 4.70 Ohm 4watt	
S0001	354927	SCHALTER-NETZ	switch mains	
VR100	348486	WI-TRI 47.00 KOHM LIN	pot trim 47k Ohm lin	
VR101	348674	WI-TRI 250.00 OHM LIN	pot trim 220 Ohm lin	
VR300	348486	WI-TRI 47.00 KOHM LIN	pot trim 47k Ohm lin	
VR301	348674	WI-TRI 250.00 OHM LIN	pot trim 220 Ohm lin	
00050	303576	SICHER-HALTE-FEDER	fuse clip	
00055	328390	SICHER-HALTER FAU	fuse holder	
00060	343376	SICHER-HALTER-KAPPE FEK	cap fuse carrier	

804388	PCB--*PM 1000	N 4	pcb assy effects
--------	---------------	-----	------------------

C 001	340520	KO-EL 1.000MF 50V	cap electrolytic 1uF/50V
C 003	340523	KO-EL 22.000MF 16V	cap electrolytic 22uF/16V
C 005	340520	KO-EL 1.000MF 50V	cap electrolytic 1uF/50V
C 007	342923	KO-FOL 0.220MF 63V 5%	cap mylar 220nF
C 008	340520	KO-EL 1.000MF 50V	cap electrolytic 1uF/50V
C 012	340520	KO-EL 1.000MF 50V	cap electrolytic 1uF/50V
C 015	340522	KO-EL 10.000MF 35V	cap electrolytic 10uF/35
C 016	340522	KO-EL 10.000MF 35V	cap electrolytic 10uF/35
C 019	346841	KO-EL 47.000MF 16V	cap electrolytic 47uF/16V
C 020	346841	KO-EL 47.000MF 16V	cap electrolytic 47uF/16V
C 021	346841	KO-EL 47.000MF 16V	cap electrolytic 47uF/16V

170101		PSX 600 120V		
Pos. Nr.	Best. Nr.			
Ref. No.	Part No.	Bezeichnung		Description
C 023	342933	KO-FOL	0.022MF 100V 5%	cap mylar 22nF
C 025	340520	KO-EL	1.000MF 50V	cap electrolytic 1uF/50V
C 027	340520	KO-EL	1.000MF 50V	cap electrolytic 1uF/50V
C 030	340520	KO-EL	1.000MF 50V	cap electrolytic 1uF/50V
C 031	340524	KO-EL	100.000MF 16V	cap electrolytic 100uF/16V
C 032	340524	KO-EL	100.000MF 16V	cap electrolytic 100uF/16V
C 035	346841	KO-EL	47.000MF 16V	cap electrolytic 47uF/16V
C 041	340524	KO-EL	100.000MF 16V	cap electrolytic 100uF/16V
C 046	340521	KO-EL	2.200MF 50V	cap electrolytic 2.2uF/50V
CN001	342982	STIFTLISTE	2X 5POL	connector male 2x5-pin
CN002	354230	STIFTLISTE	6POL TSW-106	connector male 6-pin
CN003	354230	STIFTLISTE	6POL TSW-106	connector male 6-pin
CN004	354230	STIFTLISTE	6POL TSW-106	connector male 6-pin
CN005	341937	MESSERLST.	4POL	connector male 4-pin
CN006	341937	MESSERLST.	4POL	connector male 4-pin
CN007	329022	FL.STECKER	6.3/0.8	connector 6.3mm faston
D 003	348492	DISPLAY LED	TDSR 3150 HELL.	display TDSR 3150 G+H
D 004	348492	DISPLAY LED	TDSR 3150 HELL.	display TDSR 3150 G+H
D 005	348492	DISPLAY LED	TDSR 3150 HELL.	display TDSR 3150 G+H
D 006	348492	DISPLAY LED	TDSR 3150 HELL.	display TDSR 3150 G+H
IC005	351726	IC MC	34064	IC MC 34064
X 001	354231	QUARZ	8.1920MHZ HC-49-U4	crystal 8.192mhz

MEMO