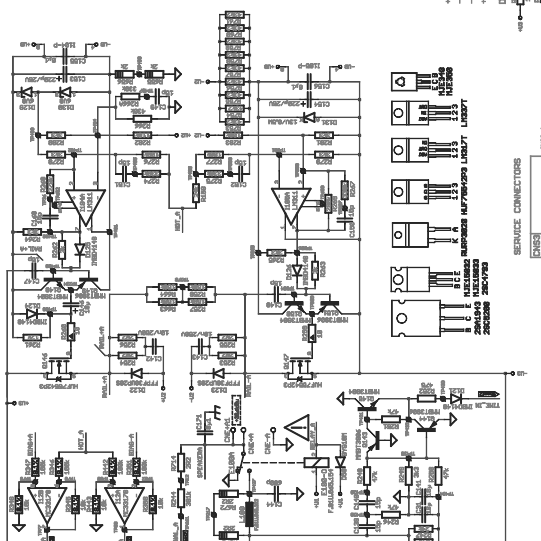


ALTERATIONS REVISION		F-01U.066-901
NO.	DATE	
BY	CHKD	
1		3/4
CIRCUIT DIAGRAM		2-
EVI AUDIO		



**RESISTOR IDENTIFICATION**

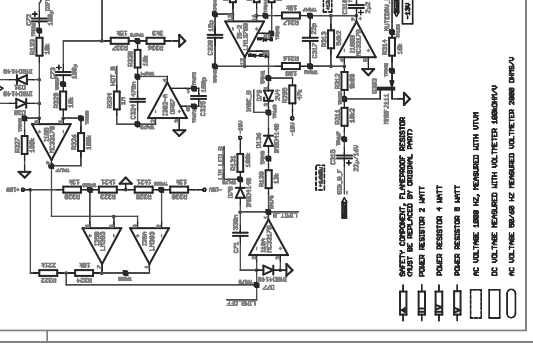
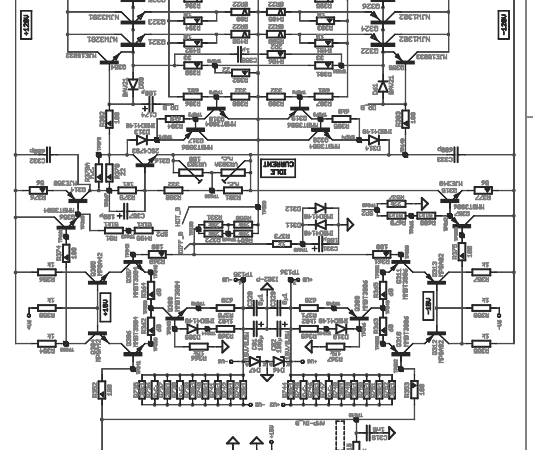
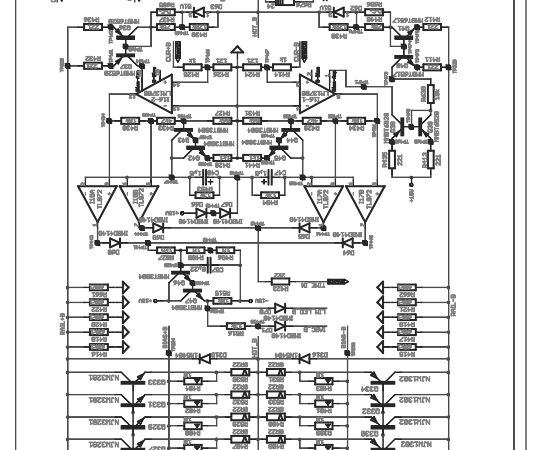
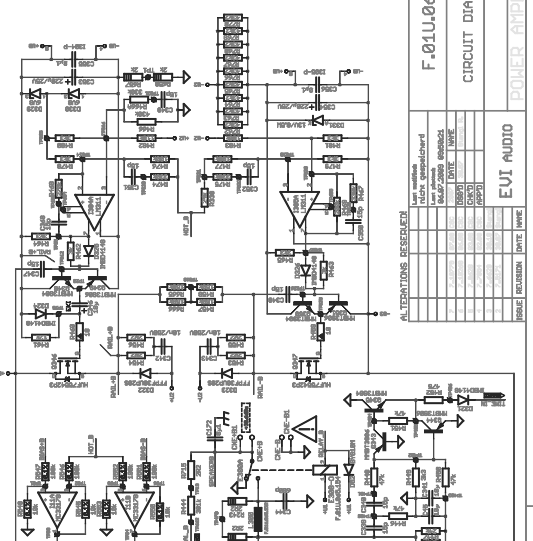
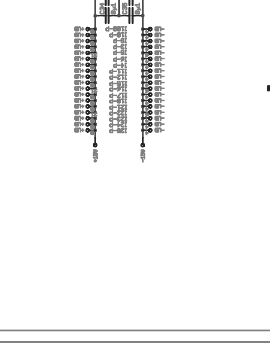
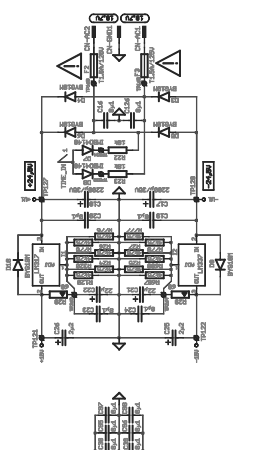
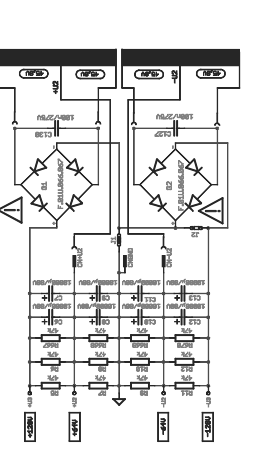
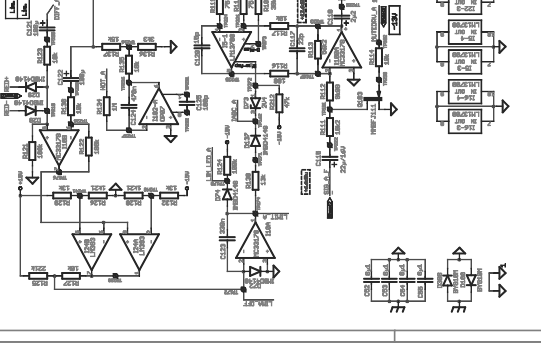
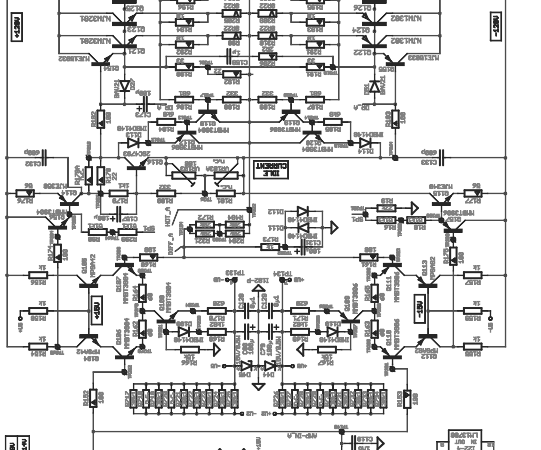
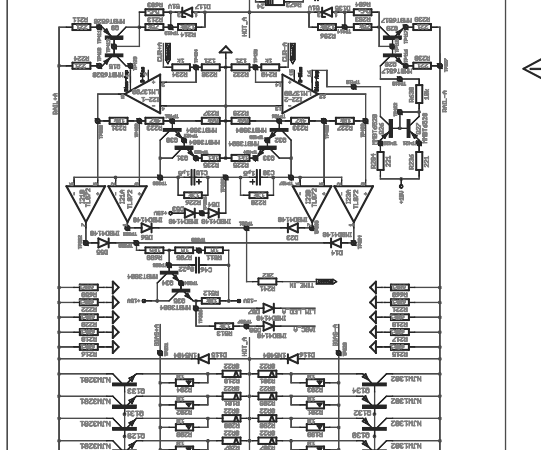
1	RESISTOR	100K
2	RESISTOR	100K
3	RESISTOR	100K
4	RESISTOR	100K
5	RESISTOR	100K
6	RESISTOR	100K
7	RESISTOR	100K

**RESISTOR IDENTIFICATION**

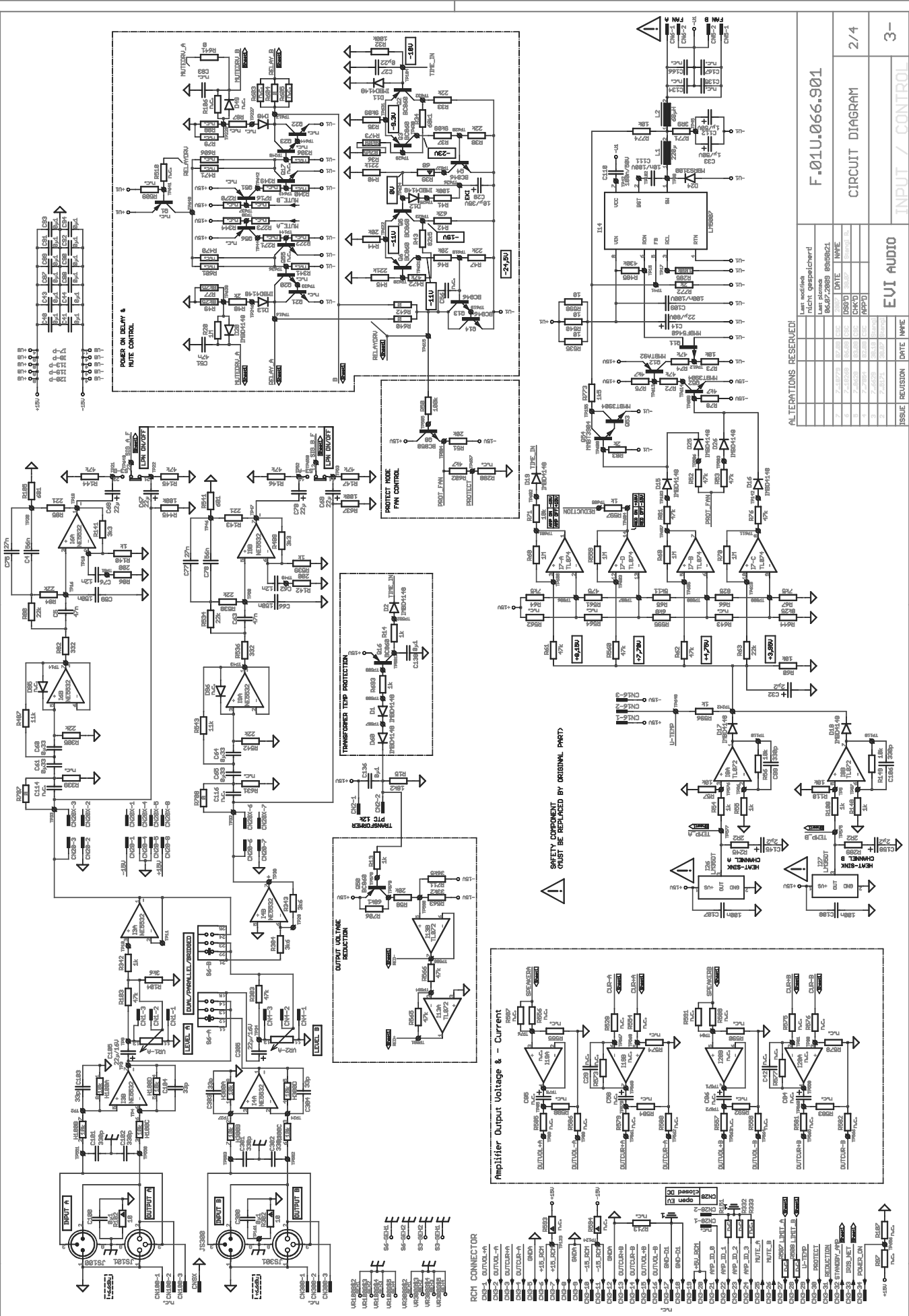
1	RESISTOR	100K
2	RESISTOR	100K
3	RESISTOR	100K
4	RESISTOR	100K
5	RESISTOR	100K
6	RESISTOR	100K
7	RESISTOR	100K

**RESISTOR IDENTIFICATION**

1	RESISTOR	100K
2	RESISTOR	100K
3	RESISTOR	100K
4	RESISTOR	100K
5	RESISTOR	100K
6	RESISTOR	100K
7	RESISTOR	100K



- SAFETY COMPONENT, PLATED COPPER RESISTOR MUST BE REPLACED BY ORIGINAL PART
- POWER RESISTOR 2 1/2W
- POWER RESISTOR 4 1/2W
- POWER RESISTOR 8 1/2W
- 10K VOLTAGE RESISTOR WITH MULTIMETER 2000VDC/40V
- 10K VOLTAGE RESISTOR WITH MULTIMETER 2000VDC/40V
- 10K VOLTAGE RESISTOR WITH MULTIMETER 2000VDC/40V



ALTERATIONS RESERVED!

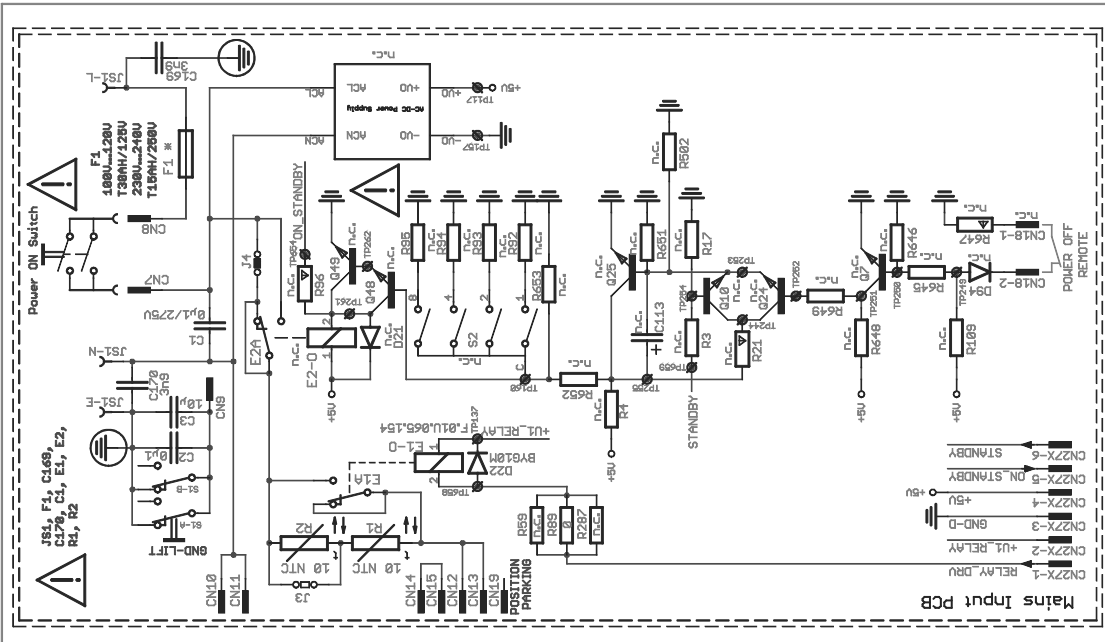
ISSUE	REVISION	DATE	NAME
1	1	2008-08-21	LEON
2	1	2008-08-21	LEON
3	1	2008-08-21	LEON
4	1	2008-08-21	LEON
5	1	2008-08-21	LEON
6	1	2008-08-21	LEON
7	1	2008-08-21	LEON
8	1	2008-08-21	LEON
9	1	2008-08-21	LEON
10	1	2008-08-21	LEON

F.01U.066.901

CIRCUIT DIAGRAM 2/4

EVI AUDIO

INPUT / CONTROL 3-



SAFETY COMPONENT (MUST BE REPLACED BY ORIGINAL PART)

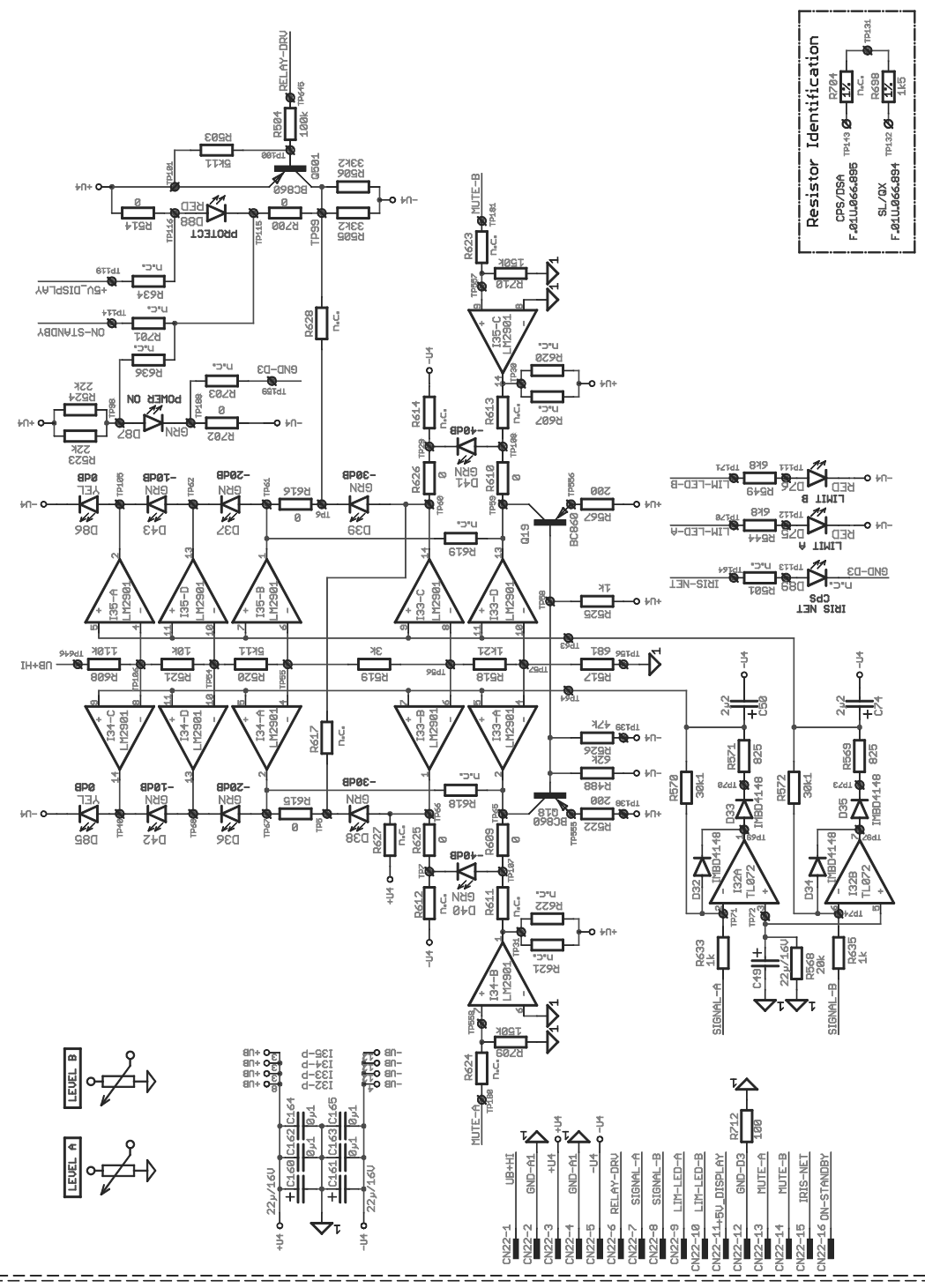
**Resistor Identification**

TP128	R694	1k5	SL/0 120M
TP126	R695	1k2	CPS/DSA 120M
TP126	R696	1k2	F.1U.066.897
TP126	R697	1k2	SL/0 400-900M
TP126	R698	1k2	F.1U.078.907
TP126	R699	1k2	CPS/DSA 400-900M
TP128	R698	1k2	SL/0 400-900M
TP128	R697	1k2	F.1U.078.906

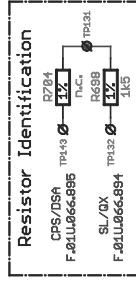
ALTERATIONS RESERVED!

Last modified:		nicht gespeichert!	
Last checked:		06.07.2009 09:50:21	
7	7.-18/279	02.08	DSC
6	7.-18/248	06.08	DSC
5	7.-18/208	03.08	DSC
4	7.-7954	02.08	DSC
3	7.-6623	30.10	Stand!
2	7.-5171	30.07	Stand!
ISSUE	REVISION	DATE	NAME
<b>EVI AUDIO</b>			
		Mains Input PCB	
		POWER OFF REMOTE	
		Circuit Diagram	
		3/4	
		F.01U.066.901	

Component	QTY	Part Number
D38	1	LED GRN
D39	1	LED GRN
D40	1	LED YEL
D41	1	LED GRN
D42	1	LED GRN
D43	1	LED RED
D44	1	LED GRN
D45	1	LED GRN
D46	1	LED GRN
D47	1	LED GRN
D48	1	LED GRN
D49	1	LED RED
D50	1	LED GRN
D51	1	LED BLUE
D52	1	LED BLUE
D53	1	LED BLUE
D54	1	LED BLUE
D55	1	LED BLUE
D56	1	LED BLUE
D57	1	LED BLUE
D58	1	LED BLUE
D59	1	LED BLUE
D60	1	LED BLUE
D61	1	LED BLUE
D62	1	LED BLUE
D63	1	LED BLUE
D64	1	LED BLUE
D65	1	LED BLUE
D66	1	LED BLUE
D67	1	LED BLUE
D68	1	LED BLUE
D69	1	LED BLUE
D70	1	LED BLUE
D71	1	LED BLUE
D72	1	LED BLUE
D73	1	LED BLUE
D74	1	LED BLUE
D75	1	LED BLUE
D76	1	LED BLUE
D77	1	LED BLUE
D78	1	LED BLUE
D79	1	LED BLUE
D80	1	LED BLUE
D81	1	LED BLUE
D82	1	LED BLUE
D83	1	LED BLUE
D84	1	LED BLUE
D85	1	LED BLUE
D86	1	LED BLUE
D87	1	LED BLUE
D88	1	LED BLUE
D89	1	LED BLUE
D90	1	LED BLUE
D91	1	LED BLUE
D92	1	LED BLUE
D93	1	LED BLUE
D94	1	LED BLUE
D95	1	LED BLUE
D96	1	LED BLUE
D97	1	LED BLUE
D98	1	LED BLUE
D99	1	LED BLUE
D100	1	LED BLUE



ALTERATIONS RESERVED



LED Signal Display & Level Control

Last modified/ nicht gespeichert					
Last plotted/ 06.07.2009 09:50:21					
			DATE	NAME	
7	7-4.0278	97.081	CSC	D8G'D	Standt. R.
6	7-4.0268	96.081	CSC	CHK'D	APP'D
5	7-4.0229	93.081	CSC	CHK'D	APP'D
4	7-2864	92.081	CSC	CHK'D	APP'D
3	7-4.6229	88.081	Standt.		
2	7-0571	88.081	Standt.		

F.01U.066.901

CIRCUIT DIAGRAM

4/4

EVI AUDIO

DISPLAY PCB

3-

ISSUE	REVISION	DATE	NAME