



**Electro-Voice®**

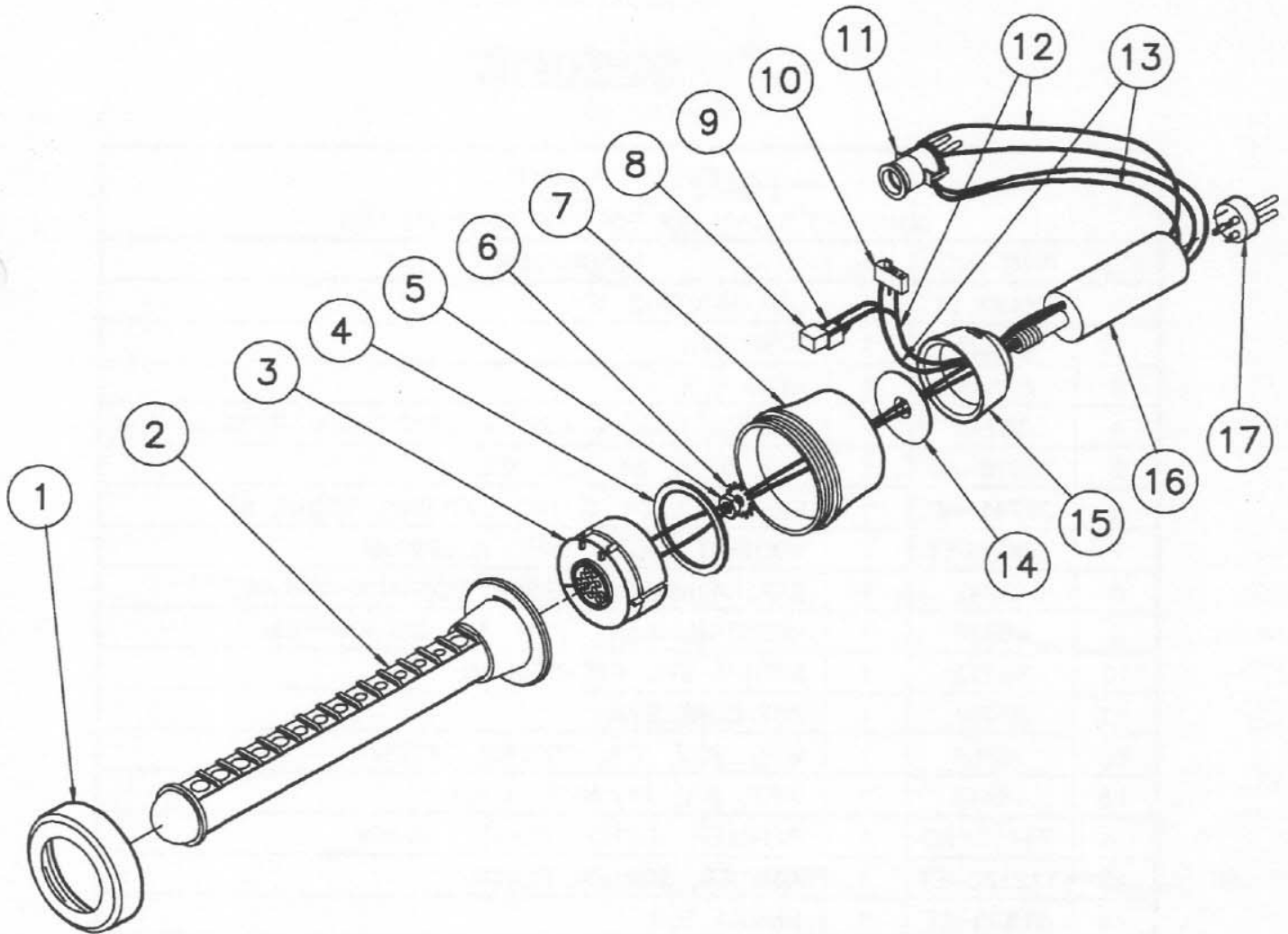
TELEX/EVI Audio

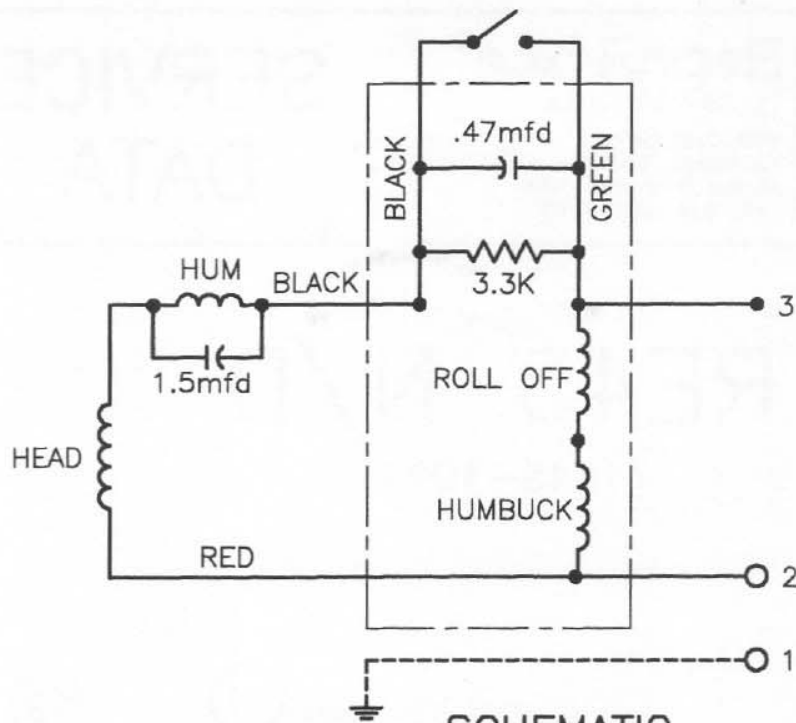
600 Cecil Street  
Buchanan, Michigan 49107  
Phone: 616-695-6831  
FAX: 616-695-4743

# SERVICE DATA

## RE45 N/D

(1645-1011)





SCHEMATIC

## PARTS LIST

QUANTITIES SHOWN ARE FOR ONE COMPLETE UNIT

ITEM	PART NO'S	QTY.	DESCRIPTION
1	72420 ET	1	CAP, HOUSING, STL
2	81523	1	TUBE S/A
3	81524	1	HEAD S/A
4	38749	1	GASKET, 1.45" x 1.20" x .050" THICK, RUBBER, BLK
5	20376-AE	1	NUT, 5/16-24, HEX, STL
6	38741-AE	1	WASHER, LOCK, 5/16", EXTERNAL TOOTH, STL
7	72421-ET	1	HOUSING, MICROPHONE, ALUMINUM
8	42742	1	CAP, .47mfd, PANASONIC ECQ-V1H-474-JL
9	46828	1	RESISTOR, 3.3K, 1/8W, 5%, CARBON FILM
10	56172	1	SWITCH, SML #JS-8750-01
11	83784	1	POT CORE S/A
12	16506	1	WIRE, #32, STR. COPPER, GREEN
13	16449	1	WIRE, #32, HOOKUP, BLACK
14	72419-RD	1	RETAINER, SWITCH, PLASTIC, BLACK
15	T72180-ET	1	ADAPTER, SCREEN, PLASTIC
16	81525-ET	1	HANDLE S/A
17	A17162	1	INSERT, CONNECTOR, A3M, 3 PIN, HIROSE
18	323-0953	1	STAND CLAMP (NOT SHOWN)
19	71220	1	GRIP, HAND (NOT SHOWN)
20	72434	1	SCREEN, WIND, FOAM (NOT SHOWN)