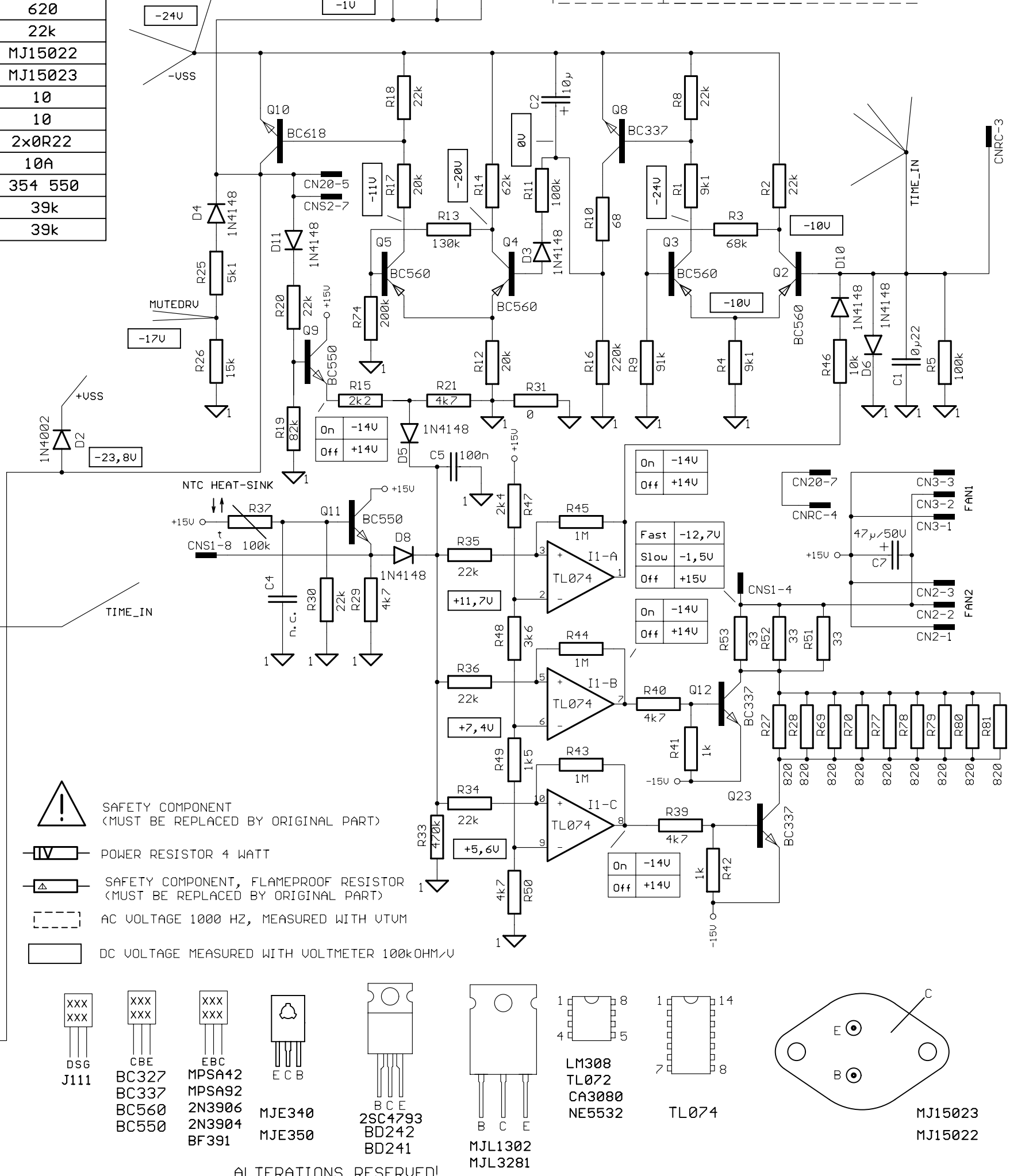


Component	* 450 W	600 W
C11 / C12	4700µ/100V	6800µ/100V
C13 / C14	4700µ/100V	6800µ/100V
R175 / R375	680	620
R176 / R376	680	620
R180 / R380	27k	22k
Q133 / Q325	n.c.	MJ15022
Q134 / Q323	n.c.	MJ15023
R198 / R199	n.c.	10
R386 / R387	n.c.	10
R197 / R385	n.c.	2x0R22
F3	8A	18A
T1	354 549	354 550
R127-R136	33k	39k
R327-R336	33k	39k



**SAFETY COMPONENT (MUST BE REPLACED BY ORIGINAL PART)**

**POWER RESISTOR 4 WATT**

**SAFETY COMPONENT, FLAMEPROOF RESISTOR (MUST BE REPLACED BY ORIGINAL PART)**

**AC VOLTAGE 1000 Hz, MEASURED WITH VTVM**

**DC VOLTAGE MEASURED WITH VOLTMETER 100kOHM-V**

**ALTERATIONS RESERVED!**

REV	DATE	NAME	LANG
B	16-99,17-99	02,99	CSC
A	42-98	05,98	Lang

**EUI AUDIO**

**84172D**

**CIRCUIT DIAGRAM**

**354 563**

**S900 / S1200**