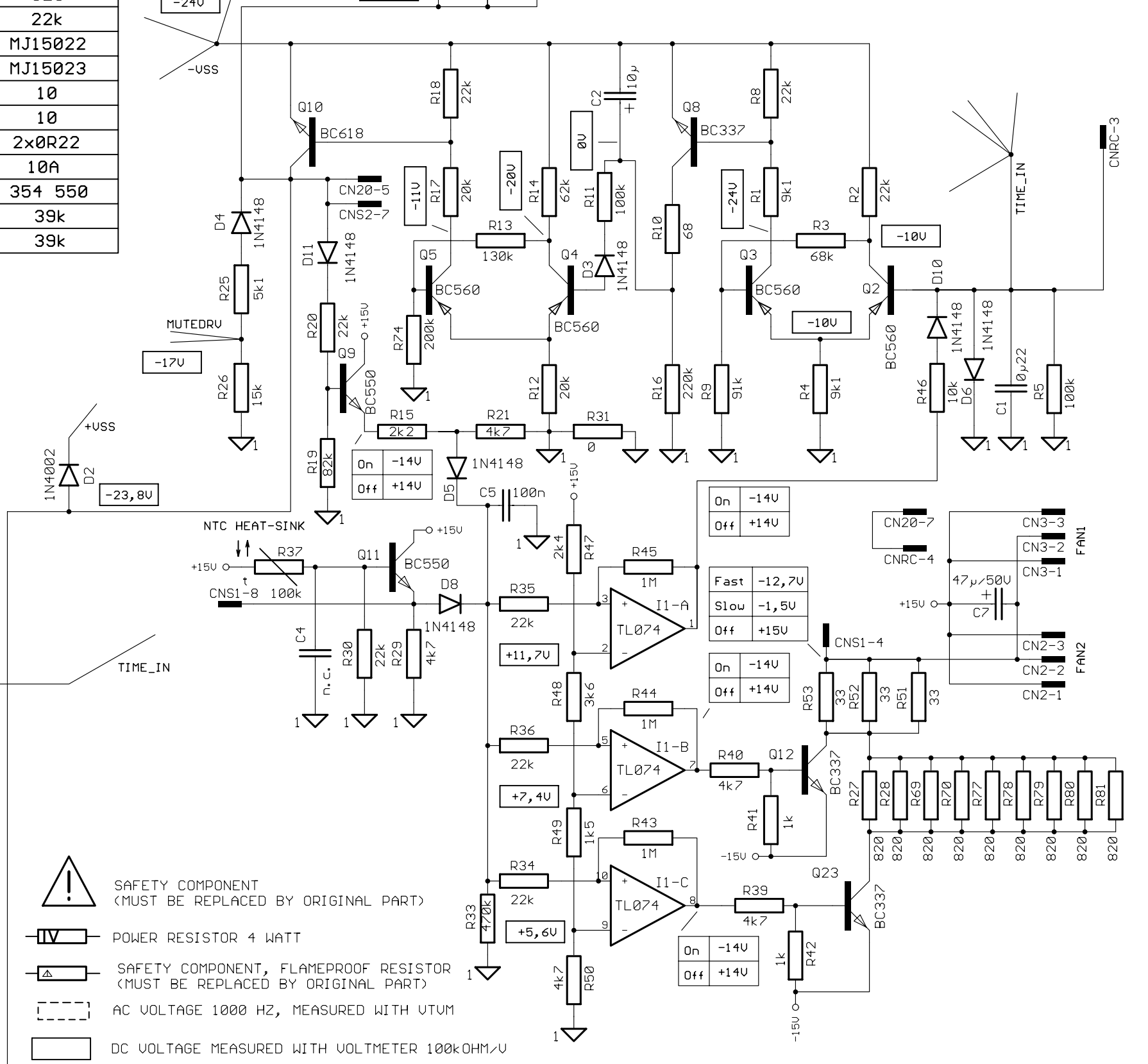


Component	* 450 W	600 W
C11 / C12	4700µ/100V	6800µ/100V
C13 / C14	4700µ/100V	6800µ/100V
R175 / R375	680	620
R176 / R376	680	620
R180 / R380	27k	22k
Q133 / Q325	n.c.	MJ15022
Q134 / Q323	n.c.	MJ15023
R198 / R199	n.c.	10
R386 / R387	n.c.	10
R197 / R385	n.c.	2xR22
F3	8A	18A
T1	354 549	354 550
R127-R136	33k	39k
R327-R336	33k	39k



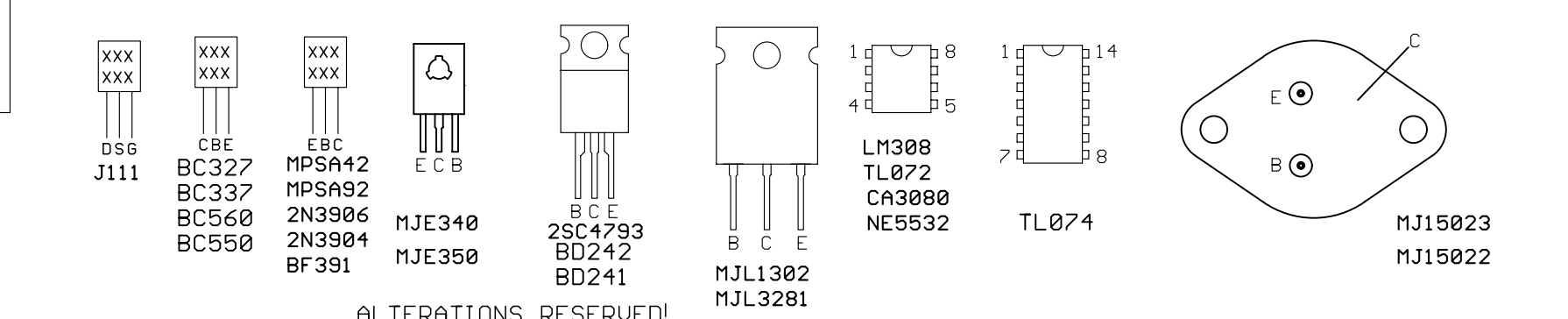
SAFETY COMPONENT (MUST BE REPLACED BY ORIGINAL PART)

POWER RESISTOR 4 WATT

SAFETY COMPONENT, FLAMEPROOF RESISTOR (MUST BE REPLACED BY ORIGINAL PART)

AC VOLTAGE 1000 Hz, MEASURED WITH VTVM

DC VOLTAGE MEASURED WITH VOLTMETER 100kOHM-V



ALTERATIONS RESERVED!		Last modified: 05.03.2002 11:23:44	
		Last plotted: 05.03.2002 11:38:04	
DSG'D	DATE	NAME	Lang
CHK'D			
APP'D			
B	16-09-17-99	02-99	CSC
A	42-98	05-98	Lang

ISSUE REVISION DATE NAME

84172D

CIRCUIT DIAGRAM

354 563
S900 / S1200