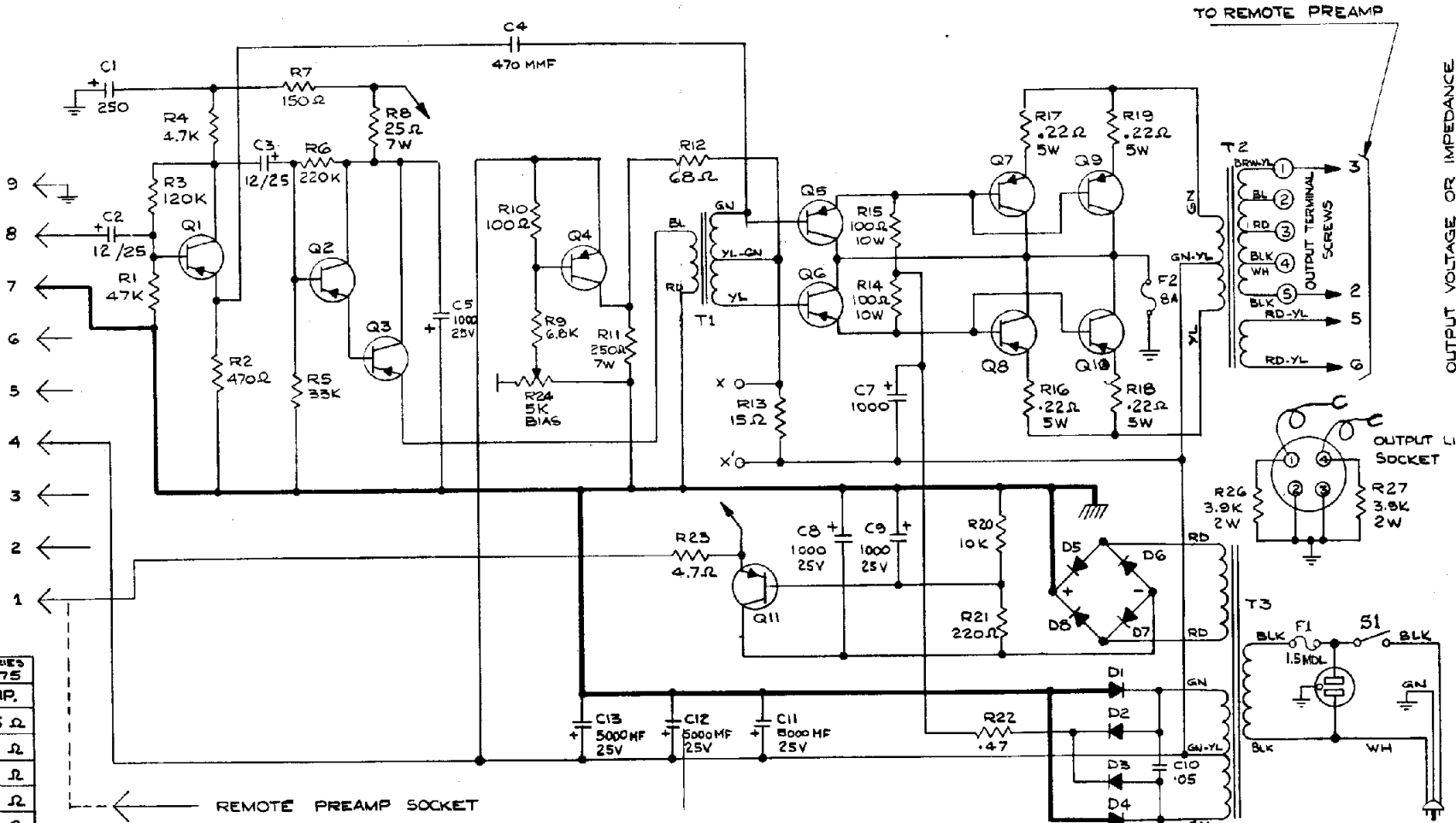


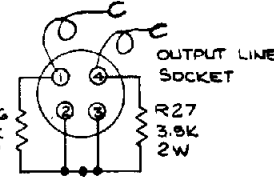
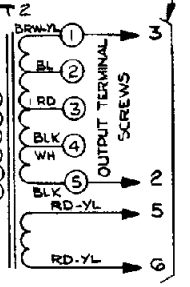


FRONT PANEL "H" IS TO BE USED WITH
REMOTE PREAMP ONLY.
OTHER FRONT PANELS WITH A CHOICE
OF BUILT IN PREAMP. ARE AVAILABLE.



TO REMOTE PREAMP

OUTPUT VOLTAGE OR IMPEDANCE
IS ADJUSTED BY CONNECTING THE TWO
JUMPERS WIRES OF THE OUTPUT SOCKET
ON THE OUTPUT TERMINAL SCREWS AS
INDICATED IN THE OUTPUT CHART.



CONSUMPTION: NO SIGNAL: 0.32 AMP
FULL SIGNAL: 1.32 AMP

MODEL LT	OUTPUT TAPS	OUTPUT VOLTS	SERIES 1075 # IMP.
	1-2	5	0.5 Ω
	3-4	10	2 Ω
	2-3	15	4 Ω
	1-3	20	6 Ω
	2-4	25	8 Ω
	1-4	30	16 Ω
	4-5	40	25 Ω
	3-5	50	40 Ω
	2-5	65	60 Ω
	1-5	70	65 Ω

* CLOSEST STANDARD VALUES

3		TITRE		POWER AMPLIFIER	
2		DATE		MODEL LT SERIES 1075	
1		DATE		ELECTRO VOX	
REV.		DESCRIPTION PRÉCÉDENTE		DESIGN No. B-9380-A	
		APPRO. DATE		DRAWING No.	