



THE REAL SOUND

SERVICE MANUAL

for

Eltax AVR-200

Type: 11006

Eltax AVR-250

Type: 11007

Eltax A/S.
Drejervej 2
DK 7490 Aulum
Denmark

Tel.: +45 9641 1500

Fax sales.: +45 9641 1501

www.eltax.com @: info@eltax.com

Sparepart:

World Wide
Eltax Service DK
Tel.: +45 9641 1599
Fax.: +45 9641 1598
@: Service@eltax.com

United Kingdom
Eltax UK
Tel.: +44(0)1327860789
Fax.: +44(0)1327861058
@: uk@eltax.com

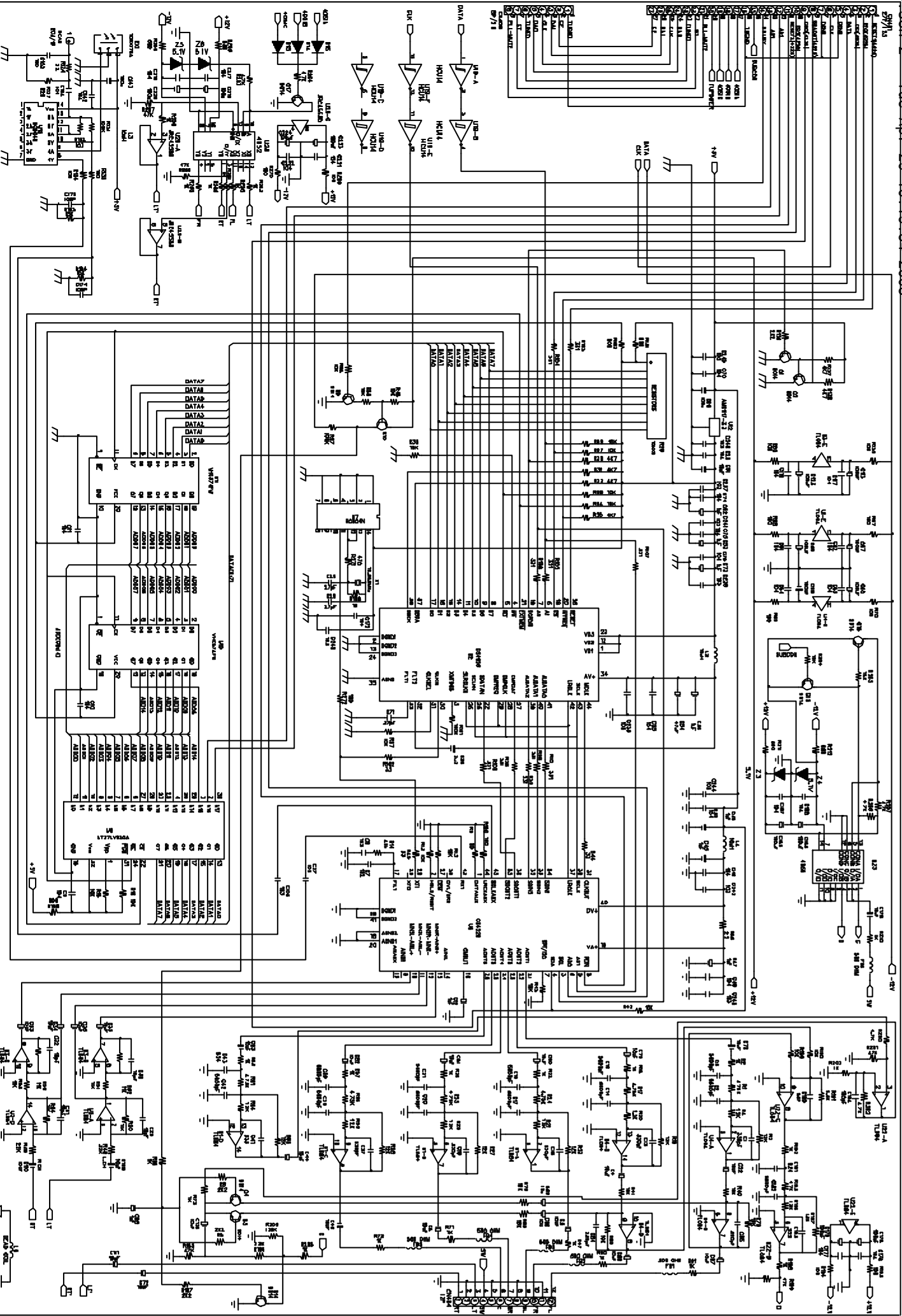
Deutschland
Eltax Deutschland
Tel.: +49(0)461 28080
Fax.: +49(0)461 29966
@: deutschland@eltax.com

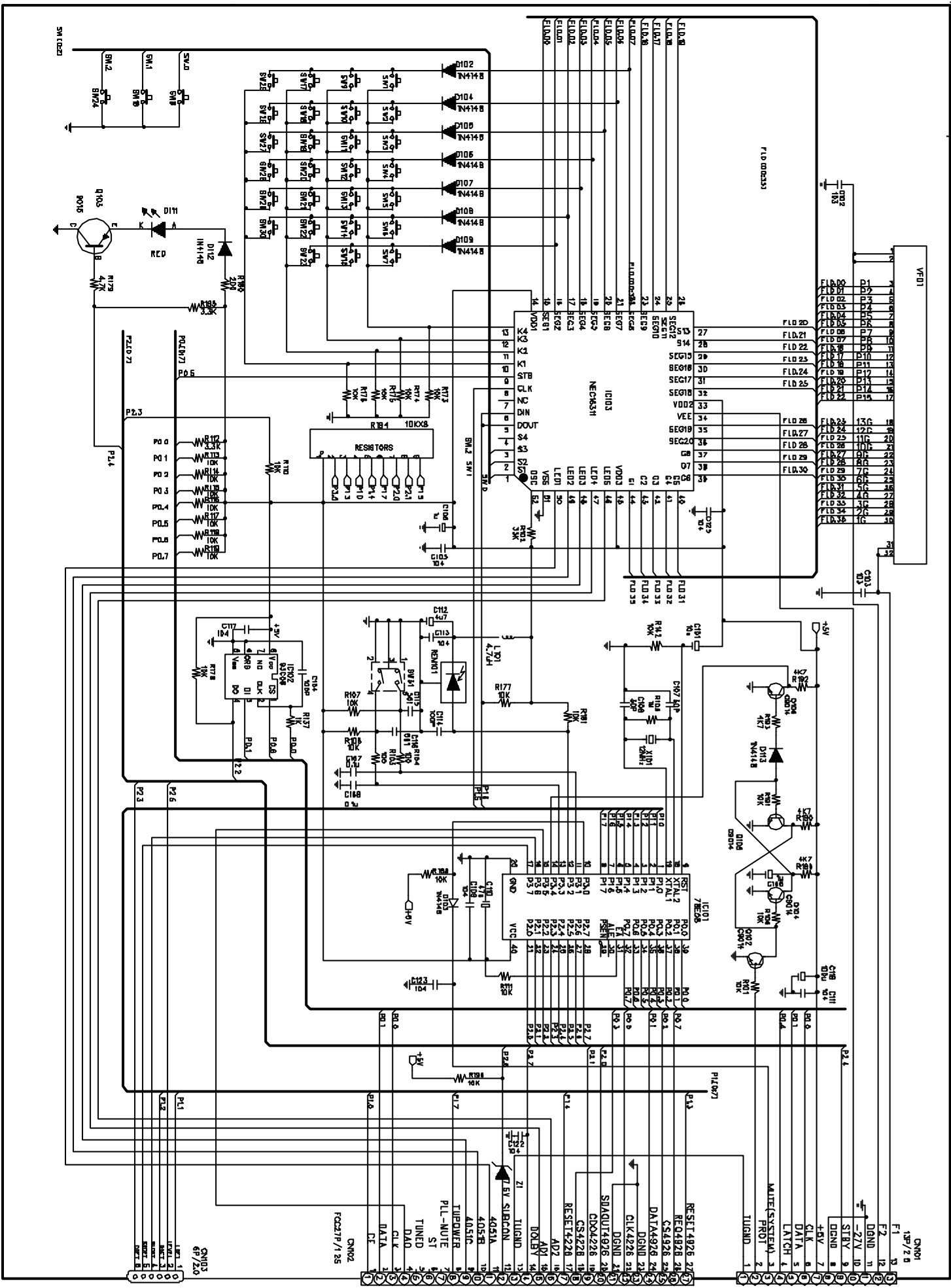
France
Eltax France
Tel.: +33(0)466 680626
Fax.: +33(0)466 680636
@: france@eltax.com

Belgium
Eltax Benelux
Tel.: +32(0)2 354 53 63
Fax.: +32(0)2 351 03 96
@: benelux@eltax.com

Nederland
Eltax Benelux
Tel.: +32(0)2 354 53 63
Fax.: +32(0)2 351 03 96
@: benelux@eltax.com

29/4/03





6

5

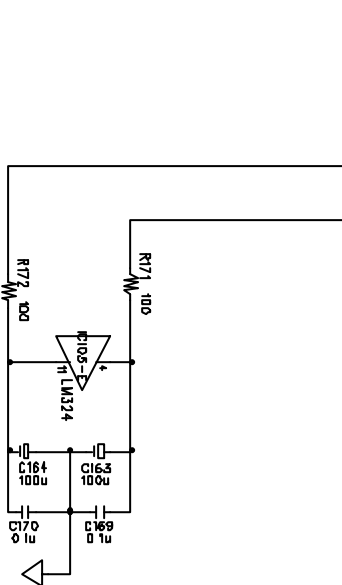
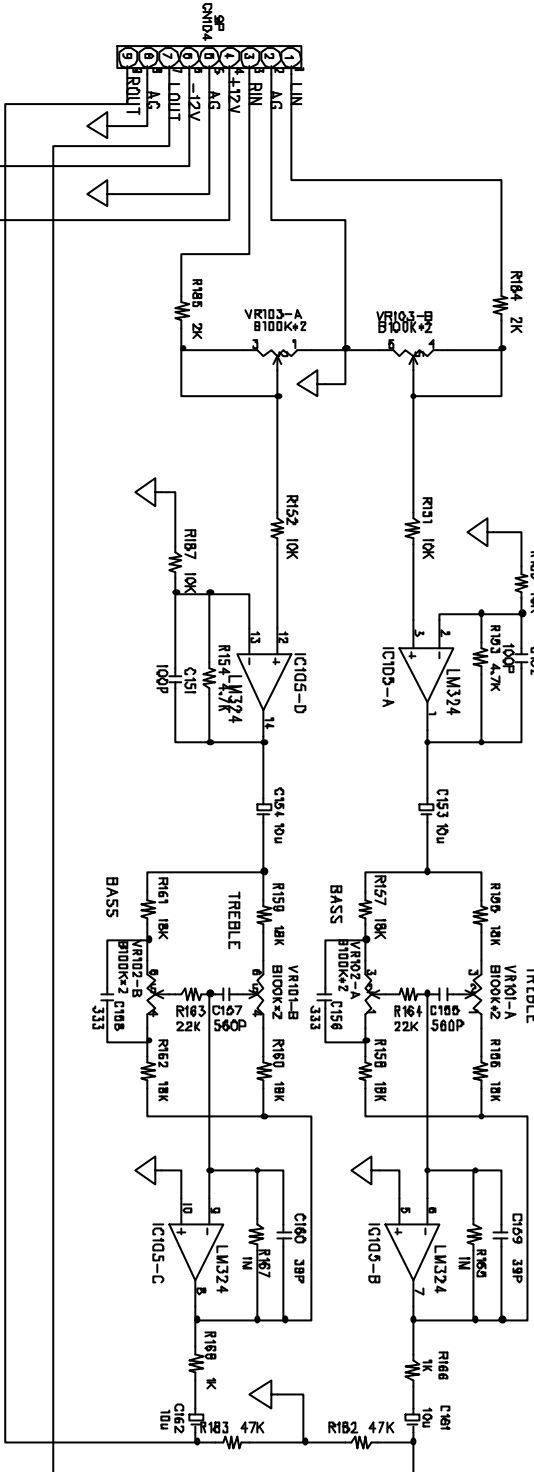
4

3

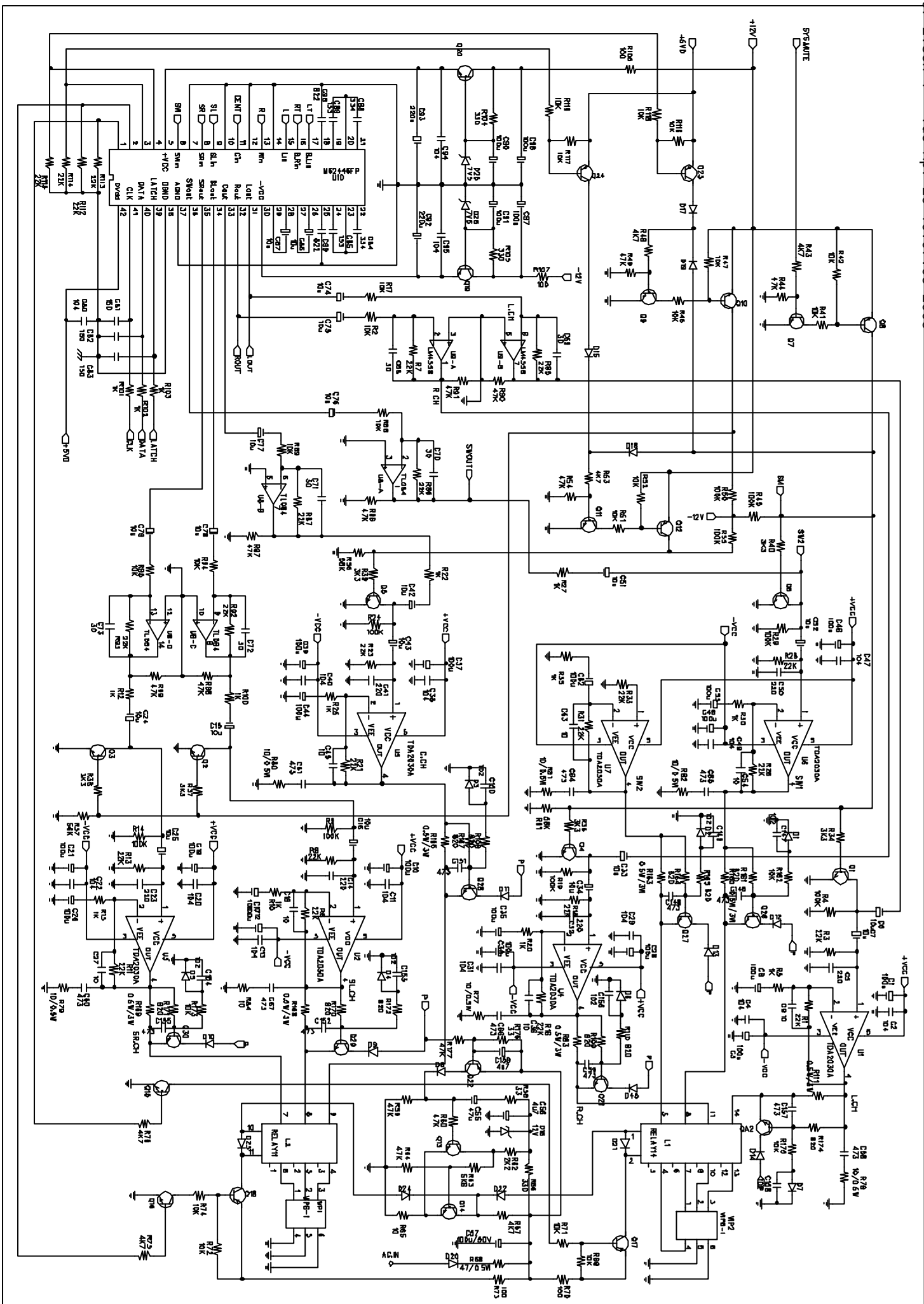
2

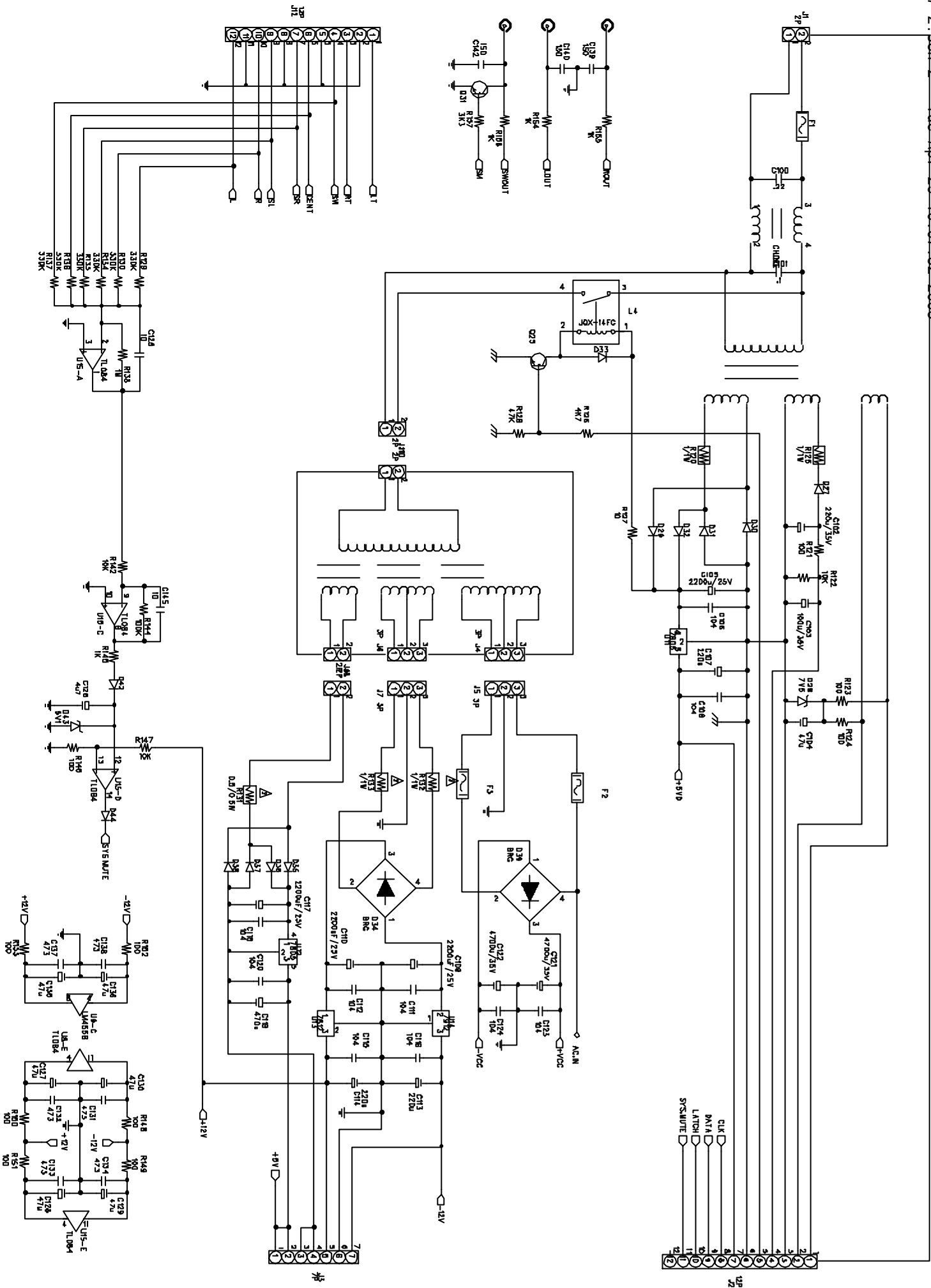
1

REVISION RECORD			
LTR	EQD NO	APPROVED	DATE



COMPANY:		DATE:	
TITLE:		DATE:	
DRAWN	DATE:	CODE:	SIZE:
CHECKED:	DATE:	QUALITY CONTROL:	DATE:
RELEASED:	DATE:	SCALE:	SHEET: OF





Sparepart List.

Online order form at:

<http://www.eltax.com/dealerarea/spareparts/orderform.php>

Item no.	Type
11006	Eltax AV-receiver AVR-200, silver - EU-II
16018	Remote Control AVR-200, silver
11007	Eltax AV-receiver AVR-250, silver - EU-II
16019	Remote Control AVR-250, silver

When ordering spareparts please indicate the serial number of the equipment.