

Service manual



HOME THEATER SYSTEM

Bill of Material

Model No:	HT5002	Product code:	70150023281
Version:	A	Page:	1/11
Customer:	KB	Customer No:	RZ-9500AVD

Model		DVD Amplifier			Valid Date:
Series No	Material No	Part Name	Specification	Qty	Material location
1	10513101811	door	HT3101	1	
2	10615101831	mirror of door	HT5101	1	
3	20215302002	botom	HT5302-WJ01-02	1	
4	20315101811	top cover	HT5101	1	
5	20415002031	back panel	RZ-9500AVD-MG06-01	1	HT5301-WJ03-02
6	209020306W1	screw	3*6PB	4	decoding board (4)
7	209020308W1	screw	3*8PB	9	I/O jack (8) SCART (1)
8	209060304W1	screw	3*4PWB	7	back panel (3) radiator(4)
9	209060306W1	screw	3*6PWB	10	front panel (3) top cover (7)
10	209060308Z1	screw	3*8PWB	2	
11	209100308W1	screw	3*8PWM	2	
12	21401310101	Front foot cusion	17.8*11.8*6.5mm	2	
13	21401510101	Rear foot cusion	Φ20*3.5mm	2	
14	22101310102	AM antenna	HT3101	1	
15	22101310103	FM antenna	HT3101	1	
16	22114009001	Insulated PCS	140*90mm	1	
17	30420506001	Screen shield wire	L=60mm-5Pin-2.54mm-2.0mm	1	
18	30430912001	AV signal wire	L=1.2M	1	
19	30442405171	optical soft wire	HT5302-LJ19-02 (L=170mm/6mm)	1	
20	30445200122	insert ware wire	L=120mm-5Pin-2.0mm	1	
21	30445254091	insert ware wire	L=90mm-5Pin-2.54mm-2.0mm	1	
22	30446200062	insert ware wire	L=60mm-6Pin-2.0mm-28#	1	
23	30451150007	power cord	1.5 (+0.39) M-7.92mm/0.75mm2	1	
24	32200007151	battery	7号	2	

25	32912080001	bundle	80mm	4	
26	40101500201	gift box	RZ-9500AVD-MG15-01 (614*304*366mm)	1	
27	40211500201	series no label	RZ-9500AVD-MG02-01 (25*5mm)	1	
28	40311500201	manual	RZ-9500AVD-MG01-01 (A4)	1	
29	40341500201	warranty card	RZ-9500AVD-MG12-01 (A4)	1	
31	40434024002	PE bag	340*240mm PE04	1	
32	40452045002	PE bag	520*450mm PE04	1	
33	40501310101	polyfoam	HT3101	2	
36	40601520101	inner carton	HTS-551-MG03-01 (475*105*345mm)	1	
37	50415002101	remote	RZ-9500AVD-MG10-01	1	
38	50425101101	loader	8804	1	
39	50425303101	optical head	OPA-681PHS (Arima)	1	
40	504SM103104	small size speaker assy	SM103	1	
40-1	101SM103811	front shell	SM103-SJ05-01	5	
40-2	104SM103811	rearshell	SM103-SJ01-01	5	
40-3	209010310B1	screw	3*10PA	20	
40-4	209060308Z1	screw	3*8PWB	20	
40-5	209060410Z1	screw	4*10PWB	5	
40-6	21201500201	brand	RZ-9500AVD-MG11-01 (SANSUI)	5	
40-7	212SM103801	net cover	SM103-WJ14-01	5	
40-9	21711900301	cusion	Φ19*3mm	5	
40-10	30410300302	wire	L=3M	4	
40-11	30410800302	wire	L=8M	2	
40-12	30412012401	red and black wire	120mm	5	
40-13	3177WP22021	wire nip	WP2-22	5	
40-18	50413101112	speaker	H027504-02	5	
41	504SS100107	subwoofer	SS100	1	
42	50815002001	front panel assy	RZ-9500AVD	1	
42-1	10115102811	front panel	HT5102-SJ05-01	1	

42-2	10713103812	volume button	HT3103	1	
42-3	10715101811	power key	HT5101-SJ07-01	1	
42-4	10715101812	four digital key	HT5101-SJ07-02	1	
42-5	10715101813	open/close key	HT5101-SJ07-03	1	
42-6	11015002831	mirrorof the panel	RZ-9500AVD-MG16-01	1	
42-8	12313001831	PVC label	PLS-3101-MG18-01	1	
42-9	12315102801	PVC label	SHC-XD510-MG18-01	1	
42-10	209020308W1	screw	3*8PB	8	
42-11	21610020001	pyrocondensation pipe	Φ2mm	1	LED
42-12	21610040001	pyrocondensation pipe	Φ4mm	2	
42-13	21610250001	pyrocondensation pipe	Φ25mm	1	
42-14	30231310101	power switch	KDC-A10-10B (8A/128A/20mm)	1	
42-15	30442405214	soft wire	L=210mm-24pin-0.5mm (6mm)	1	
42-16	30451036001	power connect wire	360mm-7.92mmVH	1	
42-17	30511603021	light diode	Φ3mm	1	LED1
42-18	51115002M01	front panel assy	HT5202-ZC04-02	1	
42-18-1	21721015101	cusion	10*15*10mm	2	VFD
42-18-2	21720808111	cusion	8*8*11.5mm	1	
42-18-3	30211310101	touch switch	PK-A06-P3 (L=5mm)	5	SW1,SW2,SW26,SW27,SW29
42-18-4	30444200241	insert ware wire	L=240mm-4Pin-2.0mm	1	
42-18-5	31081010104	electrolyze capacitor	100uF-10V-Z (Φ5*5mm/D=2.0mm)	2	C703,C707
42-18-6	31618027002	VFD screen	VFD18-027-B	1	VFD705
42-18-7	3250511QS01	remote head	GP1UX511QS	1	REM701
42-18-8	51115002S01	front panel label assy	HT5202-ZC04-02 (USB)	1	
42-18-8-1	30122405001	label socket	24pin-0.5mm	1	CN4
42-18-8-2	30315202033	PCB board	HT5202-ZC04-02 (B)	1	
42-18-8-3	30711021AJ1	label resistor	1KΩ-1/10W-J-0603	1	R754
42-18-8-4	30711031AJ1	label resistor	10KΩ-1/10W-J-0603	8	R745,R749,R748,R738,R702-705,
42-18-8-5	30715631AJ1	label resistor	56KΩ-1/10W-J-0603	1	R739

42-18-8-6	31111010501	label capacitor	100PF-50V-K-0603	3	C711,C712,C713
42-18-8-7	31111020501	label capacitor	1000PF-50V-K-0603	1	C705
42-18-8-8	31111040502	label capacitor	0.1uF-50V-Z-0603	2	C704,C706
42-18-8-9	31243041481	label diode	1N4148-1206	2	D114,D115
42-18-8-10	3140PT63111	IC	PT6311 (QFP-52PIN)	1	IC701
42-19	52213103M01	coding switch assy	HT3103-ZC01-02	1	
42-19-1	30221310101	coding switch assy		1	SW1
42-19-2	30120420001	socket	4pin-2.0mm	1	CN2
42-19-3	52213103S01	coding switch label assy	HT3103-ZC01-02	1	
43	51515000M01	decoding board assy	HT3103-ZC01-02	1	
43-1	209060306W1	screw	3*6PWB	9	
43-2	209060308Z1	screw	3*8PWB	1	
43-3	209060310W1	screw	3*10PWB	4	IC
43-4	21201310101	amplifier board bracket	HT3101	2	
43-5	21201310102	radiator bracket	HT3101	1	
43-7	22101310105	mica pcs	18*13mm	1	FEP16DT
43-8	22101310106	insulated pipe	Φ3mm	1	FEP16DT
43-9	30110279201	power socket	2Pin-7.92mm	2	CON1,CON2
43-12	30601310301	transformer	EC35/130W-L=250UH (THT2827)	1	TR1
43-13	308130002J1	carbon resistor	30Ω-2W-J	1	R55
43-14	308133401J1	carbon resistor	330KΩ-1W-J	1	R54
43-15	308168301J1	carbon resistor	68KΩ-1W-J	1	R4
43-16	308247103J1	metal film resistor	470Ω-3W-J	1	R61
43-17	308302703F1	metal film resistor	0.27Ω-3W-J	1	R48
43-18	30885R00001	heat agile resistor	5Ω	1	VDR1
43-33	313110N60C1	mos pipe	10N60C	1	H2
43-34	3140078L051	IC	78L05 (TO-92)	1	U30
43-35	31400PC8171	light lotus	PC817	1	PH1
43-36	31400TL4311	IC	TL431 (1%) TO-92	1	IC2

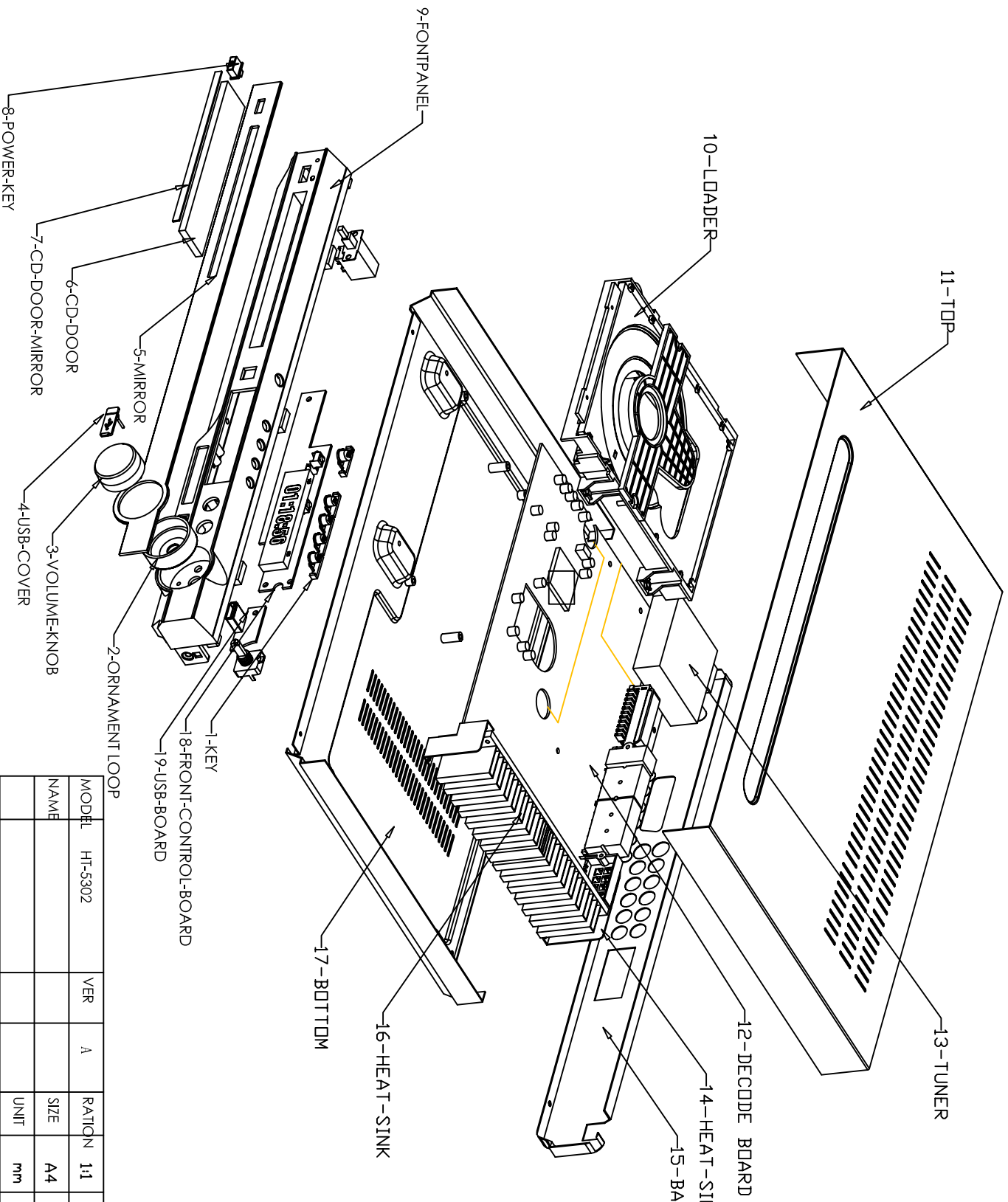
43-37	314FAN75541	IC (PWM)	FAN7554	1	IC1
43-38	314TDA89471	IC (POWER)	TDA8947J (SOT243-1)	2	U5,U24
43-39	31728413012	AV output jack	AV1-8.4-13S	1	JR2
43-40	31728413045	AV output jack	AV4-8.4-13D	1	JR3
43-41	31728413066	AV output jack	AV6-8.4-13D	1	JR1
43-42	3177WP12111	12 chip wire nip	WP12-11C	1	WP1
43-43	317B2104212	SCART output jack	RC-2104A	1	S1
43-44	31802503151	insurance pipe	T3.15A-250V (VDE/UL)	1	FUSE1
43-45	31902200101	insurance pipe socket		2	
43-46	32101310101	chip radiator	HT3101	2	
43-47	32101310103	main radiator	HT3101-WJ21-02	1	
43-48	32402000002	magnetic pearl	3.5*4*1.3	1	D25
43-49	32402050001	magnetic pearl	50Ω (DIP)	2	FB1,FB2
43-50	32403060001	power filter	60mH*2 (DIP)	1	L3
43-53-1	31081000166	electrolyze capacitor	10uF-16V-Z (Φ4*5mm/D=2.5mm)	2	EC16,EC22
43-53-2	31081000167	electrolyze capacitor	10uF-16V-Z (Φ5*11mm/D=5mm)	31	EC25,EC27,EC28,EC32-35,EC37-43,EC45,EC47,EC48, EC53,EC54,EC56,EC60,EC61,EC70-77,C229
43-53-3	3108101016C	electrolyze capacitor	100uF-16V-Z (Φ5*11mm/D=5mm)	12	EC1-3,EC12-15,EC23,EC36,EC58,C86,C233
43-53-4	3108101016D	electrolyze capacitor	100uF-16V-Z (Φ6.3*5mm/D=2.5mm)	6	EC4,EC7,EC9,EC17,EC10,EC26,
43-53-5	31081010355	electrolyze capacitor	100uF-35V-Z (Φ6.3*11mm/D=5mm)	2	C227,C228
43-53-6	31081020164	electrolyze capacitor	1000uF-16V-Z (Φ10*17mm/D=5mm)	2	C223,C234
43-53-7	31081R00502	electrolyze capacitor	1uF-50V-Z (Φ5*11mm/D=5mm)	2	C216,C215
43-53-8	31082200165	electrolyze capacitor	22uF-16V-Z (Φ5*11mm/D=5mm)	6	EC30,EC31,EC50,EC90,C203,C207
43-53-9	31082210168	electrolyze capacitor	220uF-16V-Z (Φ6.3*11mm/D=5mm)	8	EC5,EC8,EC11,EC29,EC49,EC62,C208,C204
43-53-10	31082210253	electrolyze capacitor	220uF-25V-Z (Φ8*12mm/D=5mm)	2	C226,C230
43-53-11	31084700166	electrolyze capacitor	47uF-16V-Z (Φ5*11mm/D=5mm)	4	EC44,EC46,EC63,C236
43-53-12	31084700167	electrolyze capacitor	47uF-16V-Z (Φ5*5mm/D=2.5mm)	5	EC18,EC19,EC20,EC21,C224,
43-53-13	31084700503	electrolyze capacitor	47uF-50V-Z (Φ6.3*11mm/D=5mm)	1	C214
43-53-14	31084710163	electrolyze capacitor	470uF-16V-Z (Φ8*12mm/D=5mm)	1	EC6

43-53-15	31084710252	electrolyze capacitor	470uF-25V-Z (Φ8*14mm/D=5mm)	5	C209,C210,C211,C212,C213
43-53-16	31084710353	electrolyze capacitor	470uF-35V-Z (Φ10*17mm/D=5mm)	1	C206
43-53-17	31310085502	audion	8550C (TO-92C)	9	Q3,Q14,Q15,Q18,Q19,Q27,Q31,Q32,Q33
43-53-18	31310C80502	audion	C8050 (TO-92C)	4	Q4,Q5,Q11,Q12
43-53-19	51515000S01	decoding board label assy	HT3103-ZC01-02	1	
43-53-19-1	30122405001	label socket	24pin-0.5mm	2	CN8,CN4
43-53-19-2	30313103072	PCB	HT3103-ZC01-02 (B)	1	
43-53-19-3	30710001AJ1	label resistor	0Ω-1/10W-J-0603	10	R35,R43,R60,R100,R63,R73,R304,R305,R313,R312
43-53-19-4	30711001AJ1	label resistor	10Ω-1/10W-J-0603	4	R244,R10,R17,R18
43-53-19-5	30711011AJ1	label resistor	100Ω-1/10W-J-0603	13	R31,R67,R79,R136,R137,R152,R161,R173,R310,R311,R85,R83,R167
43-53-19-6	30711021AF1	label resistor	1KΩ-F-0603	5	R96,R256,R247,R249,R254
43-53-19-7	30711021AJ1	label resistor	1KΩ-1/10W-J-0603	29	R11,R20,R58,R66,R68,R70,R71,R78,R82,R186,R198,R199,R201,R297
					R204-207,R220,R240,R251,R281-288,
43-53-19-8	30711031AJ1	label resistor	10KΩ-1/10W-J-0603	43	R7,R8,R39,R45,R50,R59,R64,R69,R81,R124,R128,R130,R132,R135,R140,
					R149,R153,R160,R162,R166,R168,R172,R174,R182,R183,R210,R211,R216,
					R217,R242,R274-276,R278-280,R289,R290,R306,R307,R316,R317,R243
43-53-19-9	30711041AJ1	label resistor	100KΩ-1/10W-J-0603	5	R38,R188,R196,R194,R195,
43-53-19-10	30711221AF1	label resistor	1.2KΩ-1/10W-F-0603	3	R33,R108,R125
43-53-19-11	30711511AJ1	label resistor	150Ω-1/10W-J-0603	3	R102,R103,R104
43-53-19-12	30711521AJ1	label resistor	1.5KΩ-1/10W-J-0603	1	R23
43-53-19-13	30711541AJ1	label resistor	150KΩ-1/10W-J-0603	3	R29,R93,R97
43-53-19-14	30711811AJ1	label resistor	180Ω-1/10W-J-0603	2	R80,R115
43-53-19-15	30711R01AJ1	label resistor	1Ω-1/10W-J-0603	1	R92
43-53-19-16	30712011AJ1	label resistor	200Ω-1/10W-J-0603	1	R133
43-53-19-17	30712021AJ1	label resistor	2KΩ-1/10W-J-0603	13	R88,R99,R147,R150,R151,R155,R184,R185,R197,R200,R222,R223,R239
43-53-19-18	30712031AJ1	label resistor	20KΩ-1/10W-J-0603	8	R253,R28,R123,R148,R159,R165,R171,R134
43-53-19-19	307322014J1	label resistor	22Ω-1/4W-J-1206	1	R32
43-53-19-20	30712201AJ1	label resistor	22Ω-1/10W-J-0603	6	R3,R5,R6,R202,R203,R9
43-53-19-21	30712211AJ1	label resistor	220Ω-1/10W-J-0603	4	R180,R191,R252,R255

43-53-19-22	30712221AJ1	label resistor	2.2K Ω -1/10W-J-0603	5	R19,R40,R42,R122,R187
43-53-19-23	30712231AJ1	label resistor	22K Ω -1/10W-J-0603	8	R208,R209,R212,R213,R214,R215,R221,R246
43-53-19-24	30712R21AJ1	label resistor	2.2 Ω -1/10W-J-0603	2	R1,R2
43-53-19-25	30713031AJ1	label resistor	30K Ω -1/10W-J-0603	8	R138,R139,R143,R144,R156,R157,R176,R177
43-53-19-26	30713301AJ1	label resistor	33 Ω -1/10W-J-0603	13	R12,R16,R21,R74,R226,R227,R228,R229,R230,R231,R232,R233,R234
43-53-19-27	30713311AJ1	label resistor	330 Ω -1/10W-J-0603	1	R76
43-53-19-28	30713331AF1	label resistor	33K Ω -1/10W-F-0603	1	R36
43-53-19-29	30713631AF1	label resistor	36K Ω -F-0603	3	R178,R179,R241
43-53-19-30	30713931AJ1	label resistor	39K Ω -1/10W-J-0603	10	R120,R131,R145,R158,R164,R170,R235,R236,R237,R238
43-53-19-31	30714711AJ1	label resistor	470 Ω -1/10W-J-0603	17	R121,R141,R142,R154,R163,R169,R175,R181,R189,R248,R250
					R192,R218,R219,R295,R300,R296
43-53-19-32	30714721AJ1	label resistor	4.7K Ω -1/10W-J-0603	13	R44,R46,R47,R56,R57,R65,R107,R113,R114,R118,R119,R298,R299
43-53-19-33	30714741AJ1	label resistor	470K Ω -1/10W-J-0603	2	R98,R87
43-53-19-34	30715121AJ1	label resistor	5.1K Ω -1/10W-J-0603	2	R24,R25
43-53-19-35	30715611AJ1	label resistor	560 Ω -1/10W-J-0603	1	R30
43-53-19-36	30715621AJ1	label resistor	5.6K Ω -J-0603	2	R90,R95
43-53-19-37	30715R11AJ1	label resistor	5.1 Ω -1/10W-J-0603	2	R41,R34,
43-53-19-38	30716811AJ1	label resistor	680 Ω -1/10W-J-0603	3	R105,R308,R309
43-53-19-39	30716821AJ1	label resistor	6.8K Ω -1/10W-J-0603	4	R291,R292,R293,R294
43-53-19-40	30717501AJ1	label resistor	75 Ω -1/10W-J-0603	3	R101,R302,R106
43-53-19-41	30717521AJ1	label resistor	7.5K Ω -1/10W-J-0603	1	R127
43-53-19-42	30719101AJ1	label resistor	91 Ω -1/10W-J-0603	2	R77,R111
43-53-19-43	307300014J1	label resistor	0 Ω -1/4W-J-1206	1	R53
43-53-19-44	307320114J1	label resistor	200 Ω -1/4W-J-1206	2	R86,R257
43-53-19-45	30732R214J1	label resistor	2.2 Ω -1/4W-J-1206	8	R14,R15,R22,R26,R27,R126,R129,R146
43-53-19-46	307347114J1	label resistor	470 Ω -1/4W-J-1206	2	R89,R94
43-53-19-47	30734R714J1	label resistor	4.7 Ω -1/4W-J-1206	3	R245,R263,D18
43-53-19-48	307375014J1	label resistor	75 Ω -1/4W-J-1206	7	R109,R110,R116,R117,R260,R261,R262
43-53-19-49	3091031A081	label arrange resistor	10K Ω *4-1/10W-J-0603	1	RN6


43-53-19-50	3093301A081	label arrange resistor	33Ω*4-1/10W-J-0603	4	RN2,RN3,RN4,RN5
43-53-19-51	3094721A081	label arrange resistor	4.7KΩ*4-1/10W-J-0603	1	RN1
43-53-19-52	31111000502	label capacitor	10PF-50V-J-0603	8	C40,C49,C50,C55,C56,C243,C246,C240
43-53-19-53	31111010502	label capacitor	100PF-50V-J-0603	22	C13,C29,54,C58,C60,C61,C66,C70,C73,C76,C79,C94,C109,C110
					C241,C244,C247,C114-116,C135,C136
43-53-19-54	31111020501	label capacitor	1000PF-50V-K-0603	26	C33,C34,C139,C146,C148-153,C162-C165,C170-173,C186,C188,C195-200
43-53-19-55	31111030501	label capacitor	0.01uF-50V-Z-0603	9	BC85,BC84,C14,C15,C182,C183,C145,C87,C225
43-53-19-56	31111040502	label capacitor	0.1uF-50V-Z-0603	114	BC1-8,BC10-46,C46-48,BC51-54,BC57-76,BC80-83,C11,C17,C31,C35,C36,C39,C41,C43
					C62,C64,C88,C89,C90,C91,C92,C95-96,C99,C118,C119,C138,C140,C147,C141,C154,
					C166,C167,C176,C177,C179,C180,C189,C193,C231,C232,C235,C237,C238
43-53-19-57	31111050161	label capacitor	1uF-16V-Z-0603	7	C7,C16,C187,C19,C67,C181,C249
43-53-19-58	31111510501	label capacitor	150PF-50V-K-0603	8	C156,C157,C158,C159,C160,C161,C174,C175
43-53-19-59	31112230501	label capacitor	0.022uF-50V-Z-0603	2	C169,C168
43-53-19-60	31112240631	label capacitor	0.22uF-6.3V-Z-0603	7	C178,C205,C103,C248,C107,C143,C144
43-53-19-61	31113000501	label capacitor	30PF-50V-J-0603	5	C120,C129,C130,C131,C134
43-53-19-62	31113010501	label capacitor	300PF-50V-K-0603	3	C32,BC9,C93
43-53-19-63	31113300502	label capacitor	33PF-50V-J-0603	12	C1,C2,C3,C4,C82-85,BC86,C108,C37,C38
43-53-19-64	31113320501	label capacitor	3300PF-50V-K-0603	2	C191,C190
43-53-19-65	31114700502	label capacitor	47PF-50V-J-0603	11	C9,C8,C100,C102,C106,C121,C126,C127,C128,C132,C133
43-53-19-66	31114710501	label capacitor	470PF-50V-K-0603	7	C69,C72,C75,C78,C81,C122,C125
43-53-19-67	31114720501	label capacitor	4700PF-50V-K-0603	2	C44,C42
43-53-19-68	31114730503	label capacitor	0.047uF-50V-Z-0603	6	C184,C65,C219,C221,C218,C220
43-53-19-69	31115610501	label capacitor	560PF-50V-K-0603	1	C98
43-53-19-70	31116810501	label capacitor	680PF-50V-K-0603	5	C12,C21,C22,C23,C24
43-53-19-71	31116830251	label capacitor	0.068uF-25V-Z-0603	1	C10
43-53-19-72	31118200501	label capacitor	82PF-50V-K-0603	1	C101
43-53-19-73	31118210501	label capacitor	820PF-50V-K-0603	11	C30,C63,C68,C71,C74,C77,C80,C111,C112,C124,C123
43-53-19-74	31126840501	label capacitor	0.68uF-50V-Z-0805	2	C201,C202
43-53-19-75	31213051201	label stable diode	5.1V-1/2W-1206	3	D22,D13,ZD1

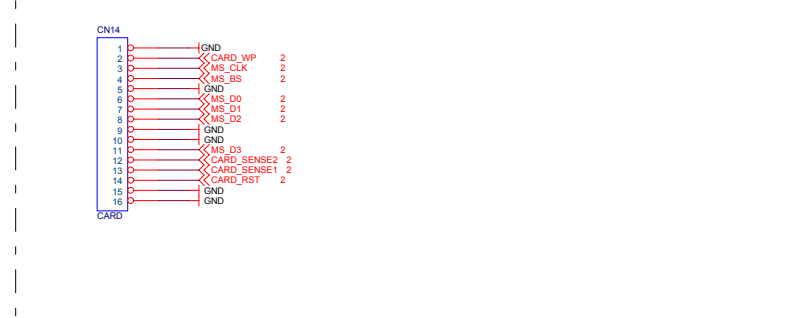
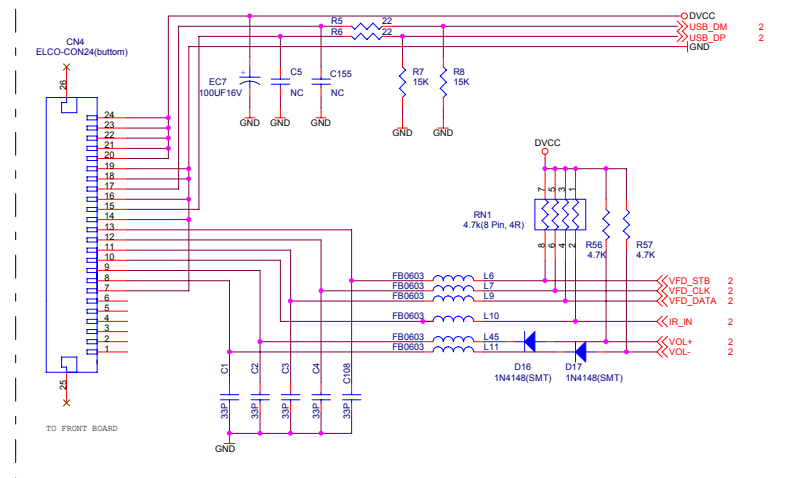
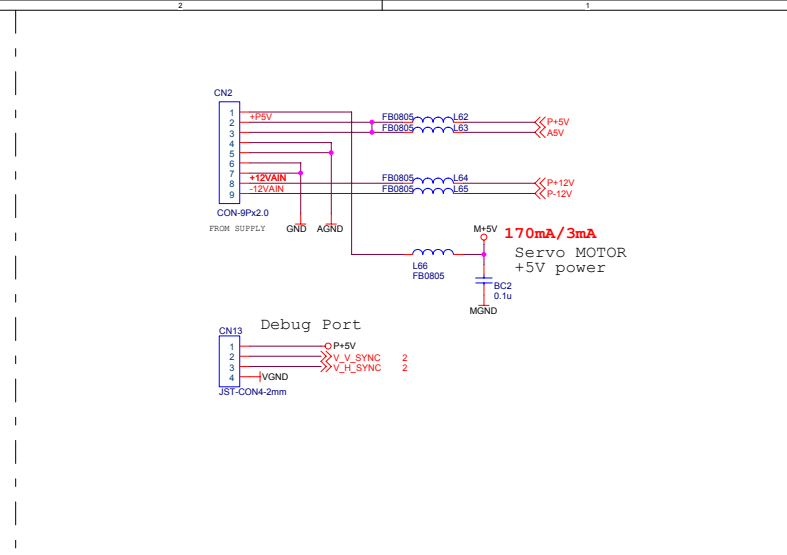
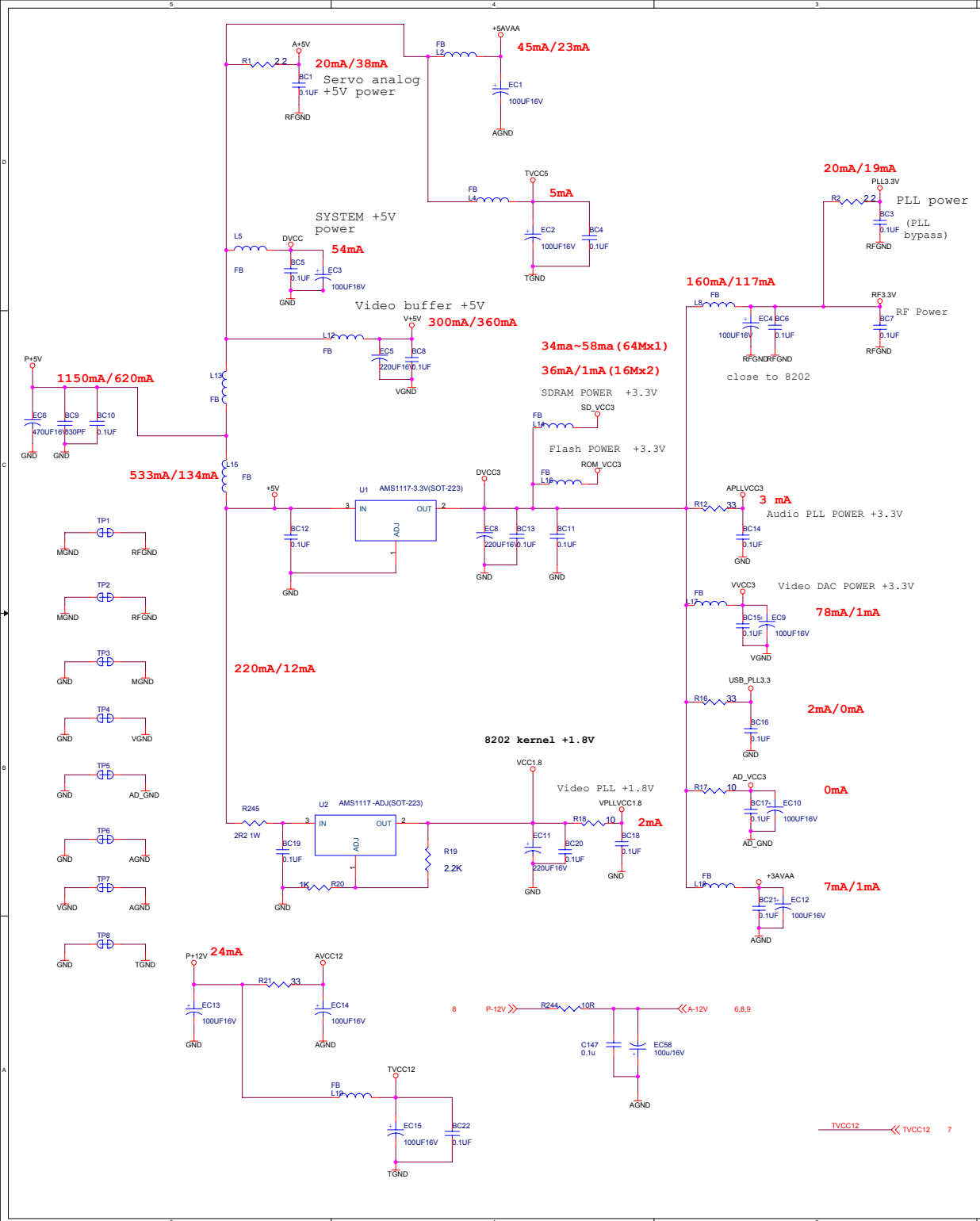
43-53-19-76	31213075121	label stable diode	7.5V-1/2W-1206	1	D12
43-53-19-77	31213120121	label stable diode	12V-1/2W-1206	1	D29
43-53-19-78	31241A800V1	label diode	RS1K-1A800V DO-214AC	3	D8,D10,D11
43-53-19-79	31243040041	label diode	1N4004 (DO-214AC)	1	D28
43-53-19-80	31243041481	label diode	1N4148-1206	17	D1-7,D19,D20,D21,D9,D26,D27,D14-17
43-53-19-81	3131SB11322	label audion	2SB1132 (SOT-89)	2	Q8,Q9
43-53-19-82	31322N39042	label audion	2N3904 (SOT-23C)	19	Q6,Q7,Q10,Q13,Q16,Q17,Q21,Q24-26,Q28-30,Q34-39,
43-53-19-83	31322N39062	label audion	2N3906 (SOT-23C)	4	Q1,Q20,Q22,Q23
43-53-19-84	314016400B1	IC (SDRAM)	IS42S16400B (64M-7)	1	U7
43-53-19-85	31408281DE1	IC (DSP)	SPHE8281DE	1	U3
43-53-19-86	3140CE28261	IC (DA)	CE2826 (6CH) SSOP-28	1	U10
43-53-19-87	31439VF0881	IC (FLASH)	SST39VF088-70 (8M/TSOP-48)	1	U4
43-53-19-88	31474HC2441	IC	74HC244 (SOT339-1)	1	U21
43-53-19-89	31474HC3741	IC	74HC374 (SOT339-1)	1	U20
43-53-19-90	31474HC4051	IC	74HC4052 M96 (SOP)	2	U25,U12
43-53-19-91	314AM5668S1	IC	AM5668 SSOPH-28	1	U9
43-53-19-92	314AMS11171	IC	AMS1117-3.3V (TO-223)	1	U1
43-53-19-93	314AMS11172	IC (DC-DC)	AMS1117-ADJ (TO-223)	1	U2
43-53-19-94	314AT24C021	IC (EEPROM)	AT24C02	1	U6
43-53-19-95	314NJM45581	IC	NJM4558E (SO-8)	10	U11,U13,U14,U17,U26,U18,U19,U27,U28,U29
43-53-19-96	32027000332	label crystal shack	27MHz-33P-30PPM-X49S-SMD	1	XT1
43-53-19-97	32402160101	label magnetic pearl	600Ω-200mA-0603	36	L1,L6,L7,L9,L10,L11,L26-39,L42,L43,L45-58
43-53-19-98	32402242R01	label magnetic pearl	42Ω-4A-0805	19	L2,L4,L5,L8,L12-19,L40,L62,L63,L64,L65,L66,L72
43-53-19-99	32408210003	label inductance	10uH-50mA-0805	2	L20,L21
43-53-19-100	3240821R002	label inductance	1uH-50mA-0805	7	L22,L23,L24,L25,L73,L74,L75
44	51613101081	receiver box (RDS)	YST936-D1C2	1	



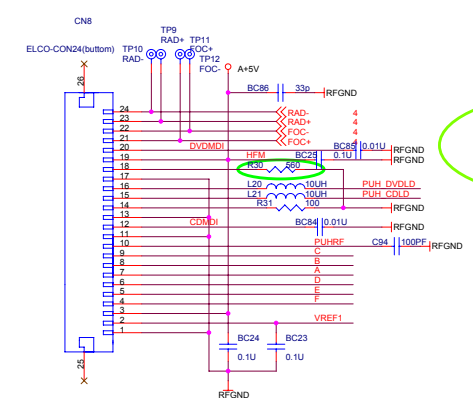
19	USB-BOARD
18	FRONT-CONTROL-BOARD
17	BOTTOM
16	HEAT-SINK
15	BACK-PANEL
14	HEAT-SINK-BRACKET
13	TUNER
12	DECODE BOARD
11	TOP
10	LOADER
9	FRONT-PANEL
8	POWER-KEY
7	CD-DOOR-MIRROR
6	CD-DOOR
5	MIRROR
4	USB-COVER
3	VOLUME-KNOB
2	ORNAMENT LOOP
1	KEY

MODEL HT-5302 VER A RATION 1:1

NAME	SIZE	A4
UNIT	mm	
VIEW 		



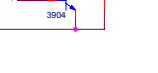
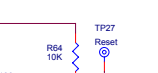
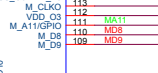
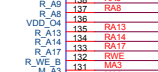
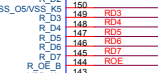
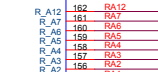
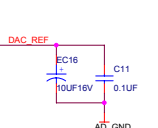
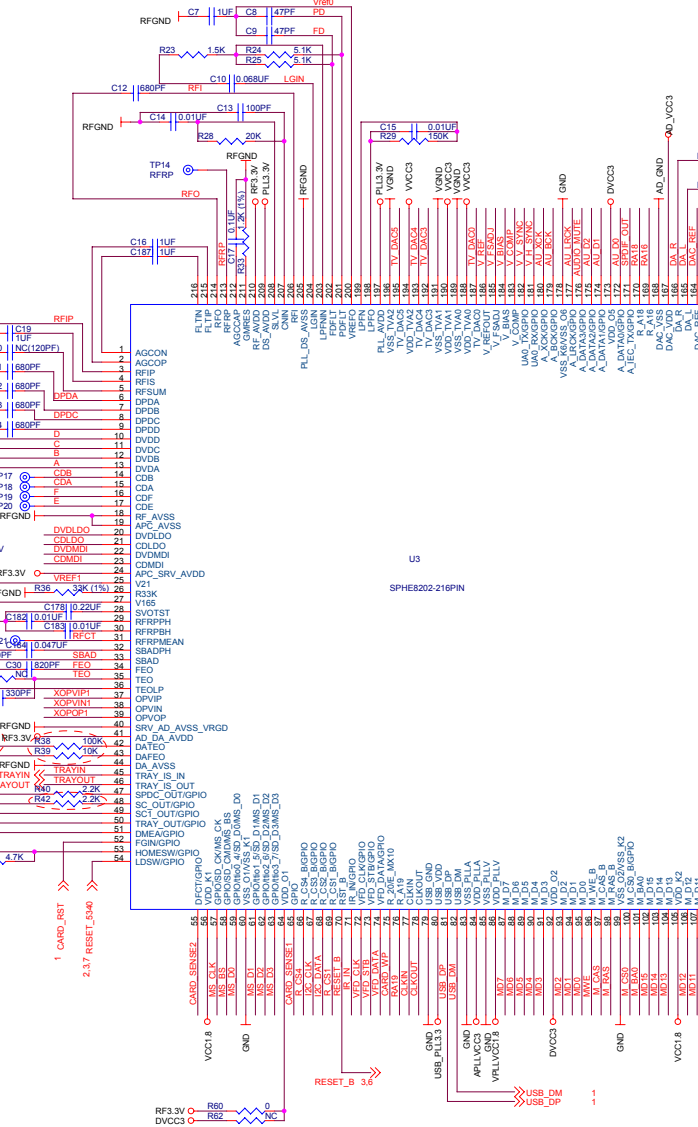
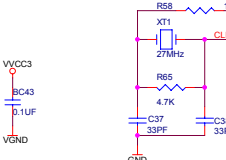
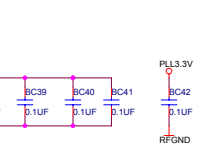
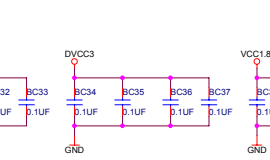
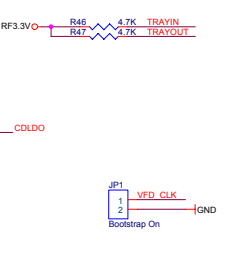
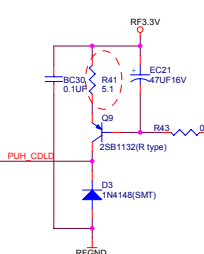
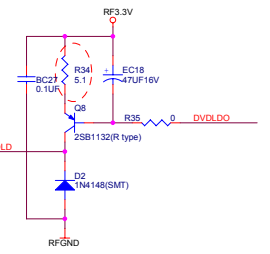
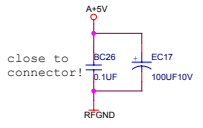
HT5301-2C01-02原理图		深圳兆驰多媒体有限公司	
设计:	日期:	ShenZhen MTC Co., Ltd. S/F, BenYuan Mansion, No.6015, Shennan Ave., Shenzhen City, China	
审核:	日期:	Title Power & Connector	
批准:	日期:	Size Document Number	Rev 1.0
		C HT5301#ZC010.DSN	Date: Saturday, March 04, 2006 Sheet 1 of 13



Hitachi Bottom CONTACT

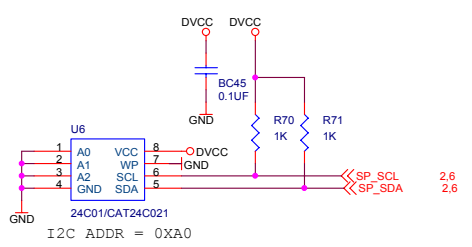
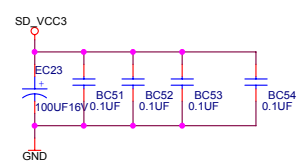
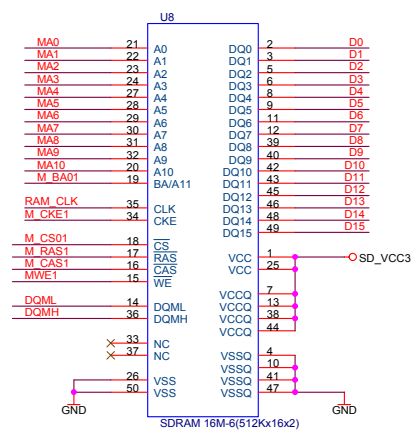
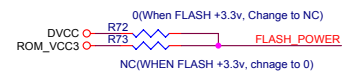
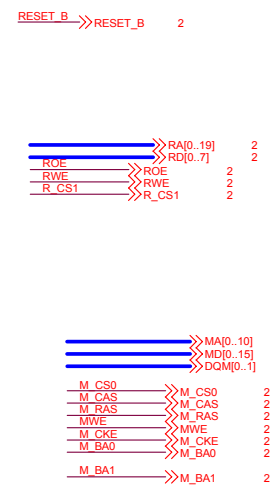
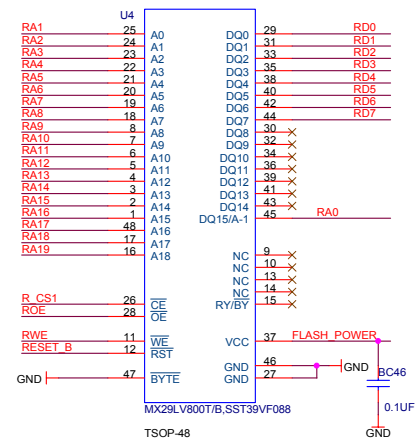
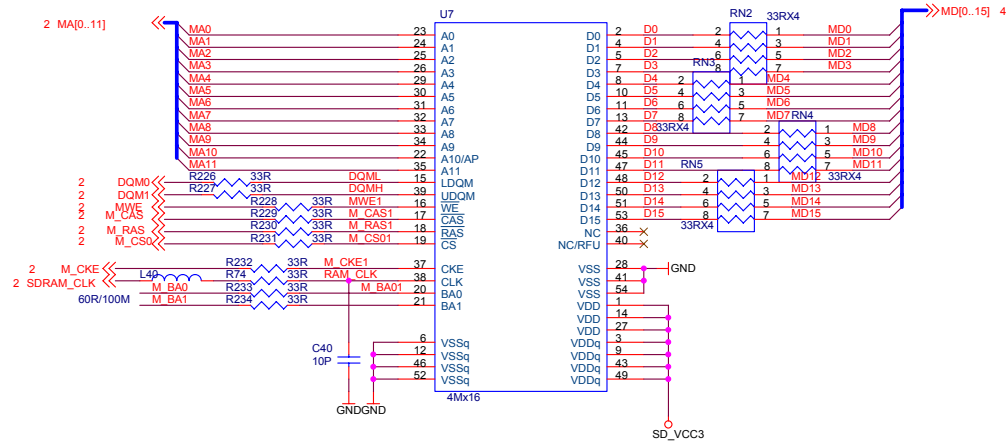
R30	ARIMA	OTHER
	560R	100R

	AM5668	AT5660
OPU	R39	R38
Arima	10K	100K
Others	33K	68K



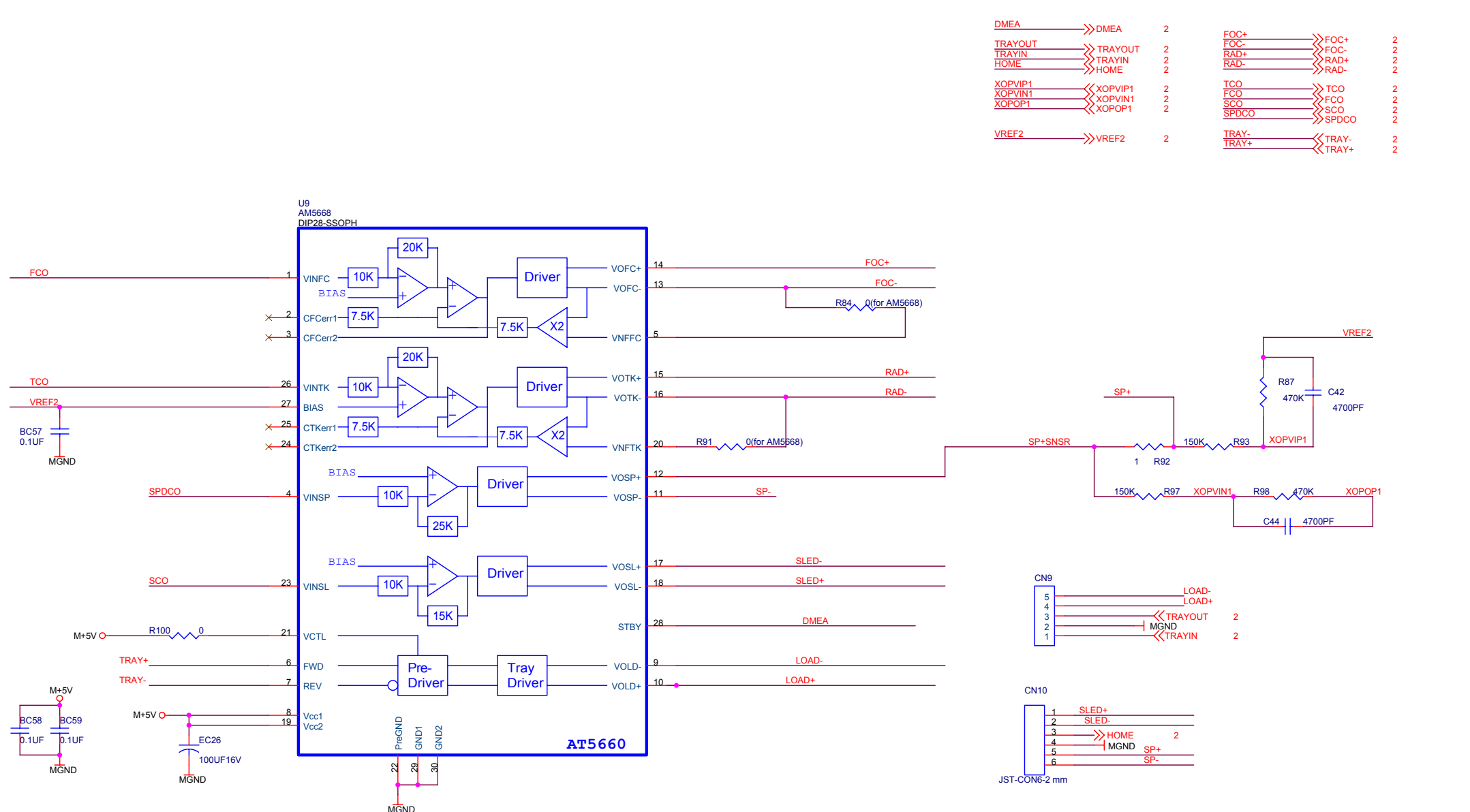
- RA0_191 3
- RD0_71 3
- ROE 3
- RWE 3
- RC_S1 3
- RC_S4 3
- RC_S4 3
- AU_LRCK 6
- AU_BCK 6
- AU_XCK 6
- SPOIF_OUT 6
- TV_DAC5 5
- TV_DAC3 5
- TV_DAC2 5
- TV_DAC0 5
- TV_DAC0 5
- V_BIAS 5
- V_COMP 5
- V_REF 5
- V_FSN1 5
- V_V_SYNC 5
- V_H_SYNC 1
- XOPV1P1 4
- XOPV1N1 4
- XOPV1P1 4
- XOPV1N1 4
- VFD_DATA 1
- VFD_STB 1
- IR_IN 1
- VFD_CLK 1
- AU_D0 6
- AU_D1 6
- AUDIO_MUTE 6
- AUDIO_MUTE 6
- SP_SDA 3.6
- SP_SCL 3.6
- MD0_151 3
- MA0_101 3
- MDM0_11 3
- M_CS0 3
- M_CAS 3
- M_RAS 3
- MWE 3
- M_BA0 3
- SP_OKE 1
- VOL+ 1
- VOL- 1
- SDRAM_CLK 3
- DVCC3 3
- MA11 1
- M_BA1 1
- MS_CLK 1
- MS_BS 1
- MS_D0 1
- MS_D1 1
- MS_D2 1
- MS_D3 1
- MS_D4 1
- MS_D5 1
- MS_D6 1
- MS_D7 1
- MS_D8 1
- MS_D9 1
- MS_D10 1
- MS_D11 1
- MS_D12 1
- MS_D13 1
- MS_D14 1
- MS_D15 1
- MS_D16 1
- MS_D17 1
- MS_D18 1
- MS_D19 1
- MS_D20 1
- MS_D21 1
- MS_D22 1
- MS_D23 1
- MS_D24 1
- MS_D25 1
- MS_D26 1
- MS_D27 1
- MS_D28 1
- MS_D29 1
- MS_D30 1
- MS_D31 1
- MS_D32 1
- MS_D33 1
- MS_D34 1
- MS_D35 1
- MS_D36 1
- MS_D37 1
- MS_D38 1
- MS_D39 1
- MS_D40 1
- MS_D41 1
- MS_D42 1
- MS_D43 1
- MS_D44 1
- MS_D45 1
- MS_D46 1
- MS_D47 1
- MS_D48 1
- MS_D49 1
- MS_D50 1
- MS_D51 1
- MS_D52 1
- MS_D53 1
- MS_D54 1
- MS_D55 1
- MS_D56 1
- MS_D57 1
- MS_D58 1
- MS_D59 1
- MS_D60 1
- MS_D61 1
- MS_D62 1
- MS_D63 1
- MS_D64 1
- MS_D65 1
- MS_D66 1
- MS_D67 1
- MS_D68 1
- MS_D69 1
- MS_D70 1
- MS_D71 1
- MS_D72 1
- MS_D73 1
- MS_D74 1
- MS_D75 1
- MS_D76 1
- MS_D77 1
- MS_D78 1
- MS_D79 1
- MS_D80 1
- MS_D81 1
- MS_D82 1
- MS_D83 1
- MS_D84 1
- MS_D85 1
- MS_D86 1
- MS_D87 1
- MS_D88 1
- MS_D89 1
- MS_D90 1
- MS_D91 1
- MS_D92 1
- MS_D93 1
- MS_D94 1
- MS_D95 1
- MS_D96 1
- MS_D97 1
- MS_D98 1
- MS_D99 1
- MS_D100 1
- MS_D101 1
- MS_D102 1
- MS_D103 1
- MS_D104 1
- MS_D105 1
- MS_D106 1
- MS_D107 1
- MS_D108 1
- MS_D109 1
- MS_D110 1
- MS_D111 1
- MS_D112 1
- MS_D113 1
- MS_D114 1
- MS_D115 1
- MS_D116 1
- MS_D117 1
- MS_D118 1
- MS_D119 1
- MS_D120 1
- MS_D121 1
- MS_D122 1
- MS_D123 1
- MS_D124 1
- MS_D125 1
- MS_D126 1
- MS_D127 1
- MS_D128 1
- MS_D129 1
- MS_D130 1
- MS_D131 1
- MS_D132 1
- MS_D133 1
- MS_D134 1
- MS_D135 1
- MS_D136 1
- MS_D137 1
- MS_D138 1
- MS_D139 1
- MS_D140 1
- MS_D141 1
- MS_D142 1
- MS_D143 1
- MS_D144 1
- MS_D145 1
- MS_D146 1
- MS_D147 1
- MS_D148 1
- MS_D149 1
- MS_D150 1
- MS_D151 1
- MS_D152 1
- MS_D153 1
- MS_D154 1
- MS_D155 1
- MS_D156 1
- MS_D157 1
- MS_D158 1
- MS_D159 1
- MS_D160 1
- MS_D161 1
- MS_D162 1
- MS_D163 1
- MS_D164 1
- MS_D165 1
- MS_D166 1
- MS_D167 1
- MS_D168 1
- MS_D169 1
- MS_D170 1
- MS_D171 1
- MS_D172 1
- MS_D173 1
- MS_D174 1
- MS_D175 1
- MS_D176 1
- MS_D177 1
- MS_D178 1
- MS_D179 1
- MS_D180 1
- MS_D181 1
- MS_D182 1
- MS_D183 1
- MS_D184 1
- MS_D185 1
- MS_D186 1
- MS_D187 1
- MS_D188 1
- MS_D189 1
- MS_D190 1
- MS_D191 1
- MS_D192 1
- MS_D193 1
- MS_D194 1
- MS_D195 1
- MS_D196 1
- MS_D197 1
- MS_D198 1
- MS_D199 1
- MS_D200 1

深圳兆驰多媒体有限公司

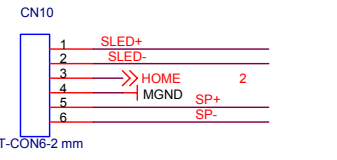


深圳兆驰多媒体有限公司

Title		
ROM/FLASH/Memory		
Size	Document Number	Rev
	HT5301-ZC01-02	1.0
Date:	Saturday, March 04, 2006	Sheet 3 of 13

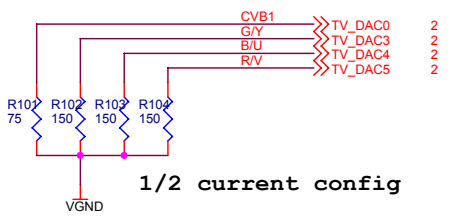


DMEA	>>>DMEA	2	FOC+	>>>FOC+	2
TRAYOUT	>>>TRAYOUT	2	FOC-	>>>FOC-	2
TRAYIN	>>>TRAYIN	2	RAD+	>>>RAD+	2
HOME	>>>HOME	2	RAD-	>>>RAD-	2
XOPVIP1	>>>XOPVIP1	2	TCO	>>>TCO	2
XOPVIN1	>>>XOPVIN1	2	FCO	>>>FCO	2
XOPOP1	>>>XOPOP1	2	SCO	>>>SCO	2
			SPDCO	>>>SPDCO	2
VREF2	>>>VREF2	2	TRAY-	>>>TRAY-	2
			TRAY+	>>>TRAY+	2

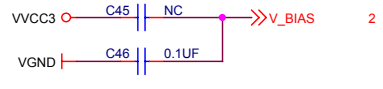


深圳兆驰多媒体有限公司

Title		
Motor-Driver		
Size	Document Number	Rev
B	HT5301-ZC01-02	1.0
Date:	Saturday, March 04, 2006	Sheet 4 of 13

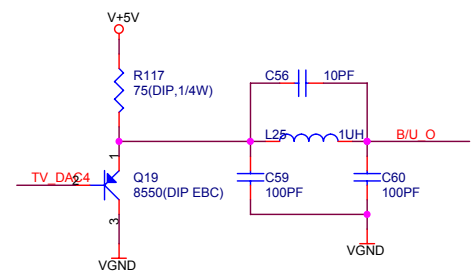
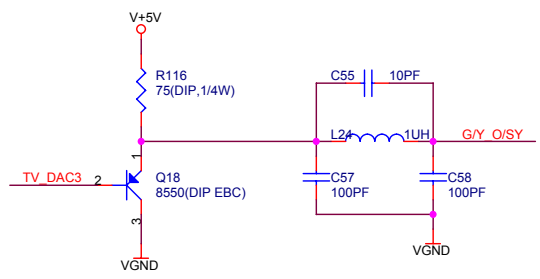
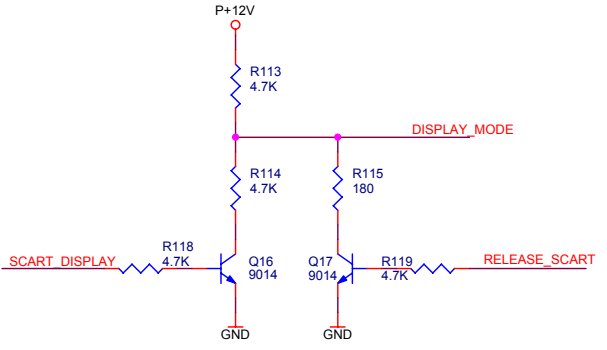
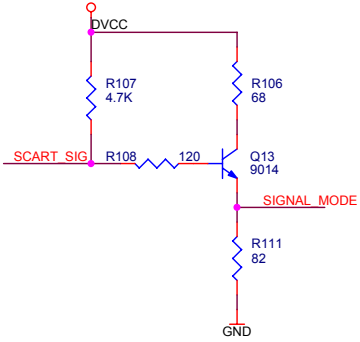
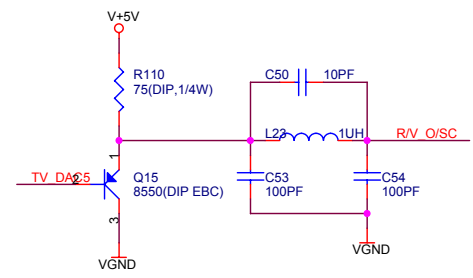
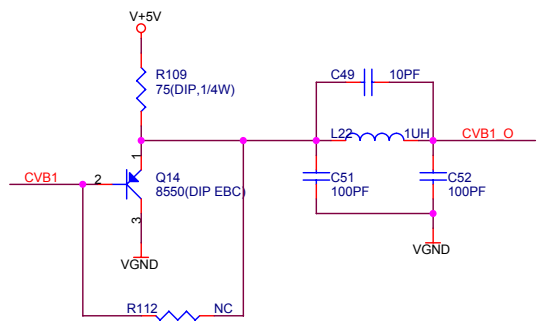


1/2 current config



1/2 current config

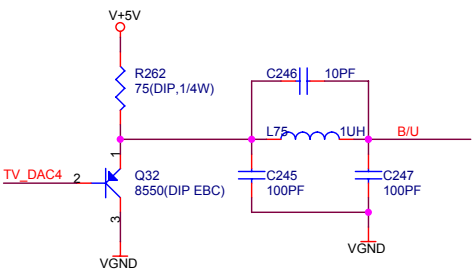
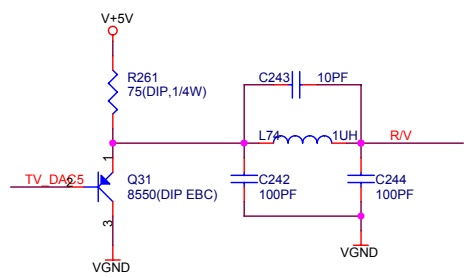
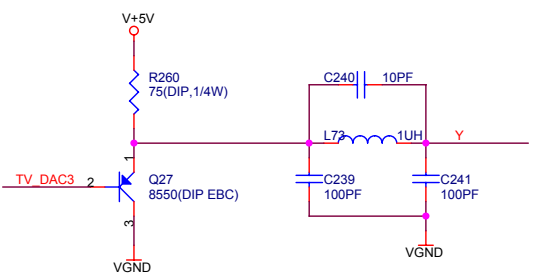
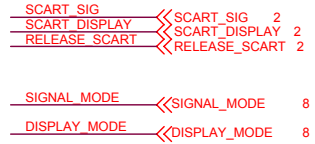
TV0	TV3	TV4	TV5
CVB	Y	Cb	Cr
CVB	Y (S-Video)	CVB	C (S-Video)
CVB	G	B	R



RELEASE_SCART	DISPLAY_MODE
0	Not RELEASE
1	RELEASE

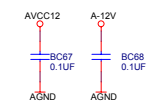
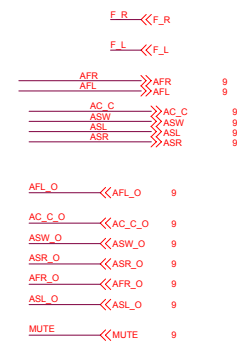
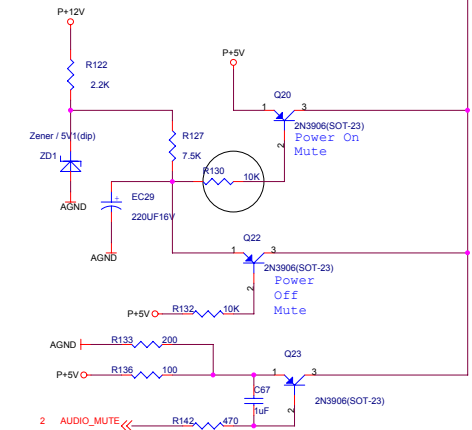
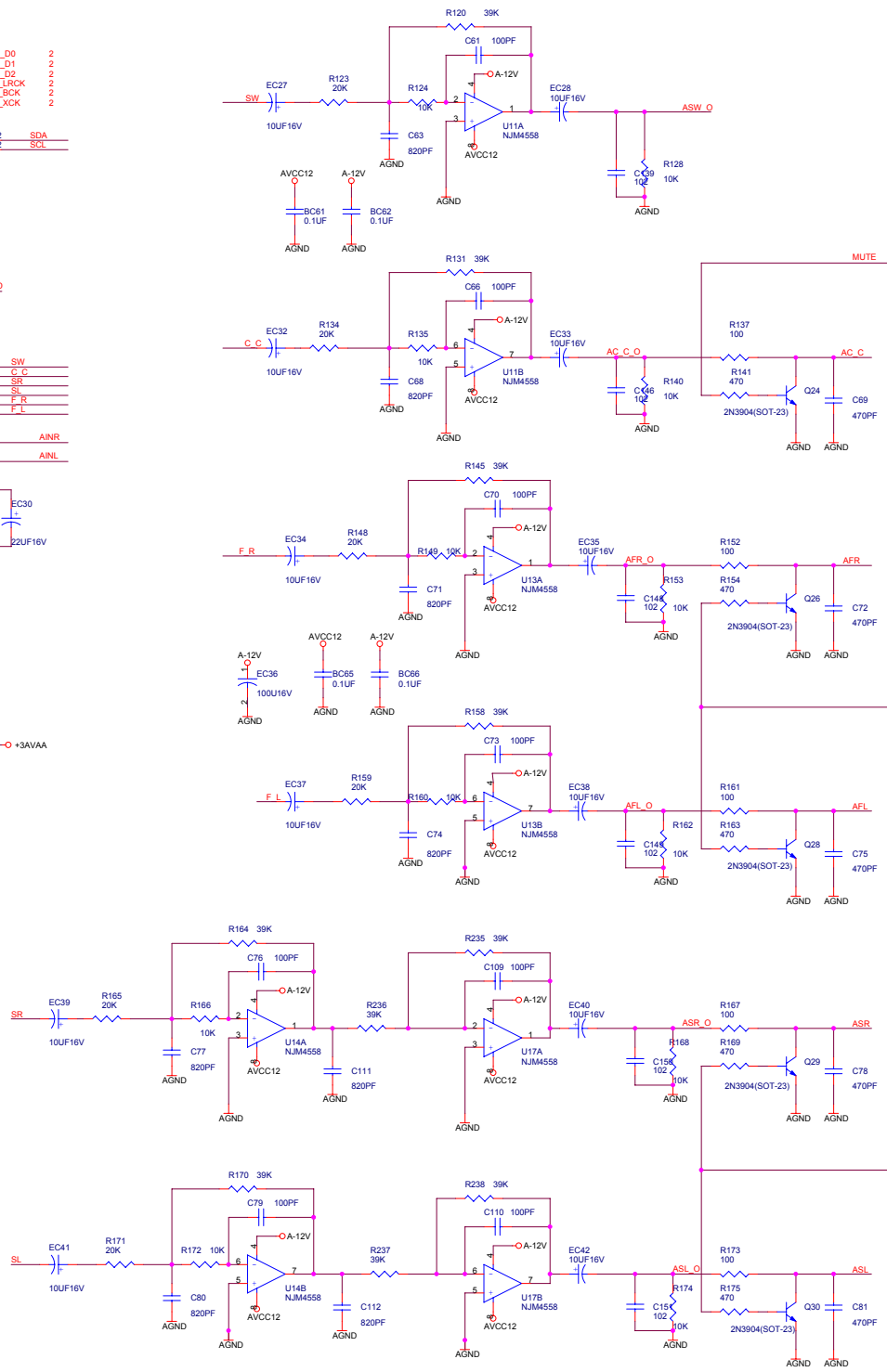
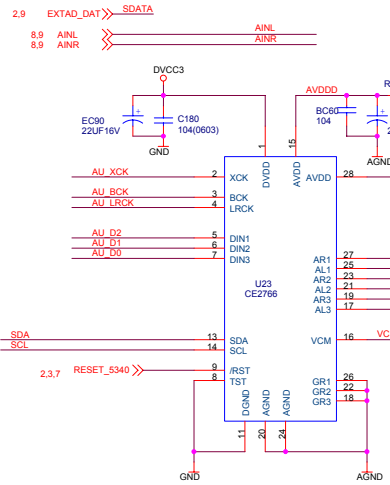
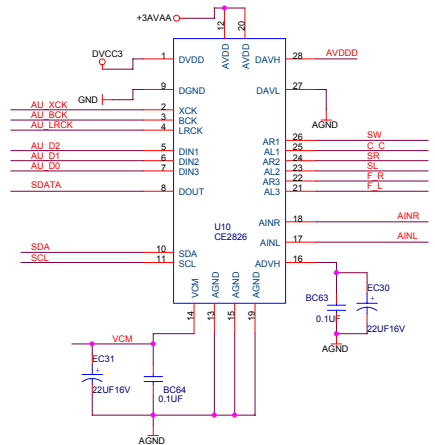
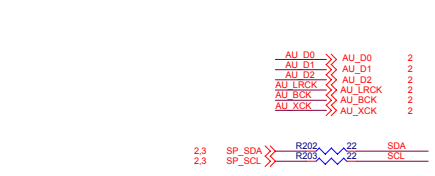
SCART_SIG	SIGNAL_MODE
0	0V (CVBS)
1	3V (RGB)

SCART_DISPLAY	DISPLAY_MODE
1	12V (9.5V--12V 4:3)
0	6V (5V--8V 16:9)



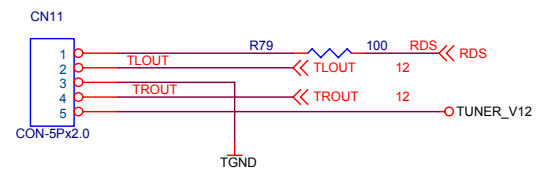
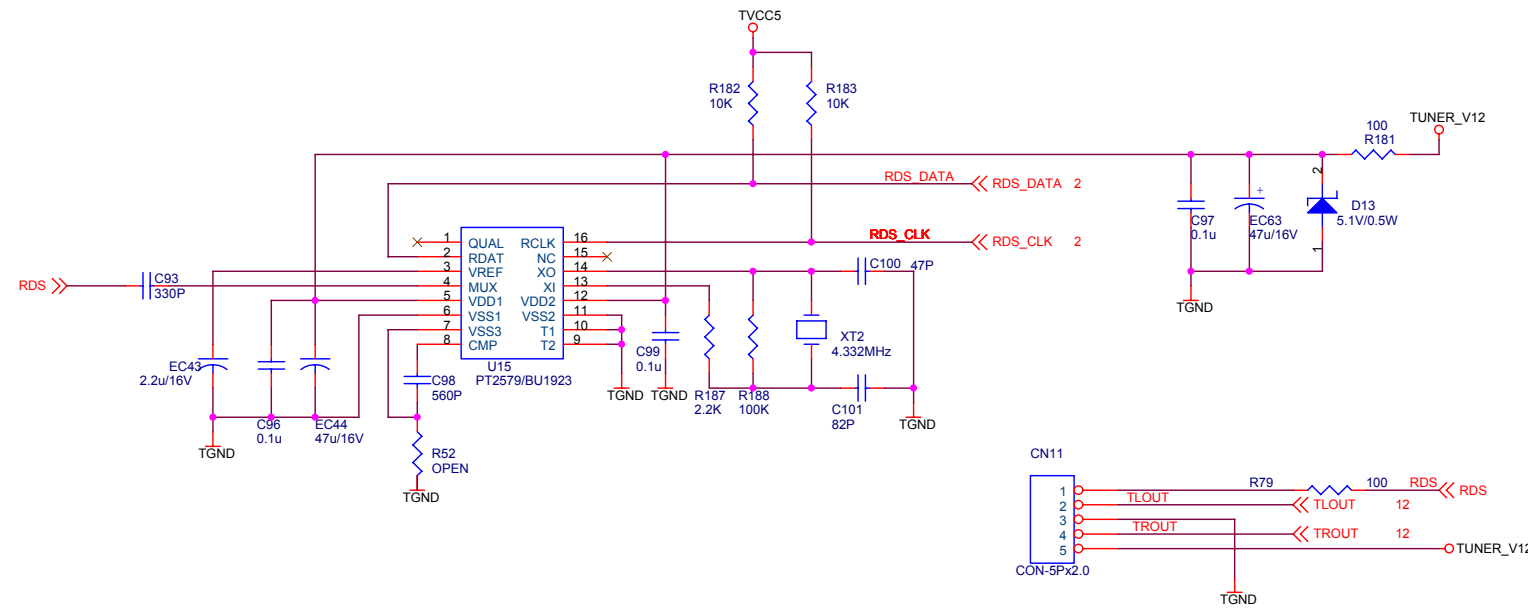
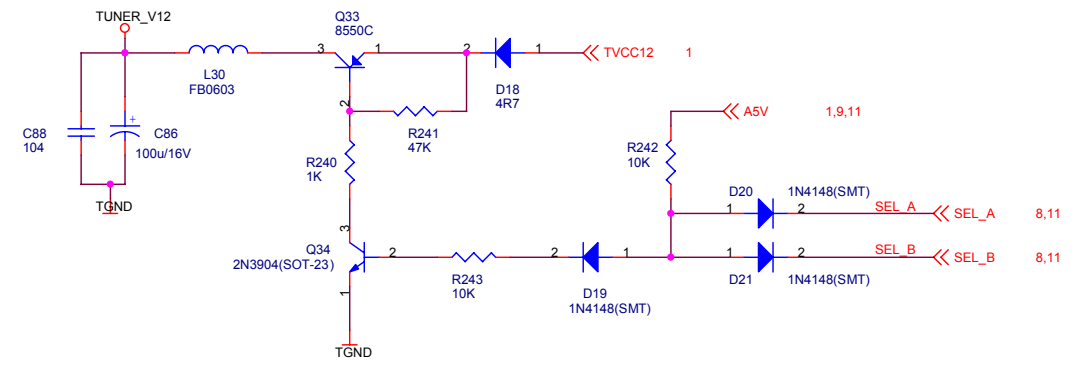
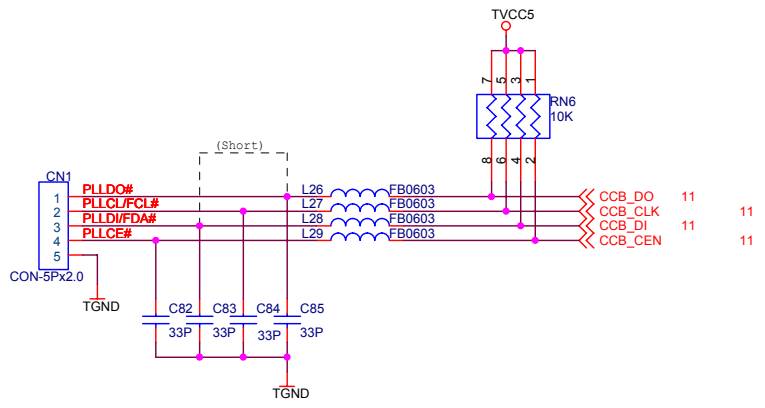
深圳兆驰多媒体有限公司

Title		
Video Buffer		
Size	Document Number	Rev
B	HT5301-ZC01-02	1.0
Date:	Saturday, March 04, 2006	Sheet 5 of 13



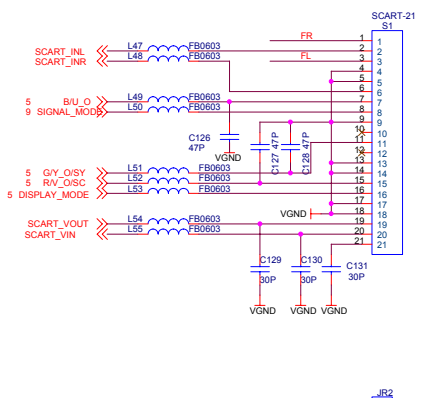
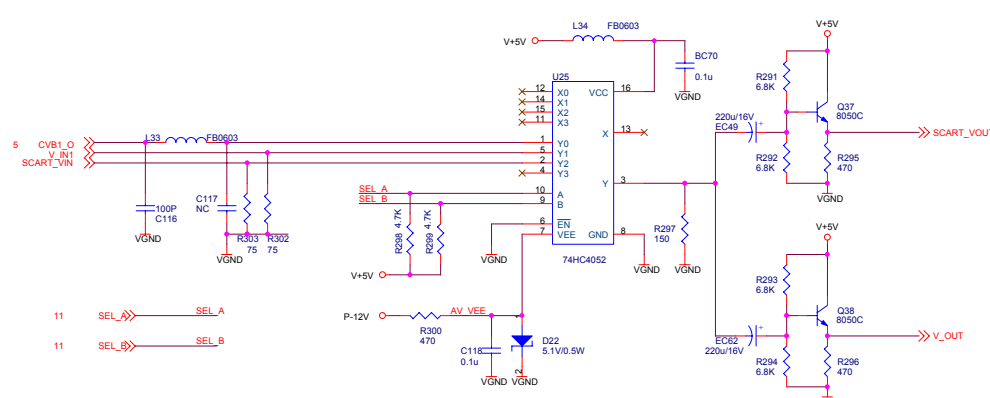
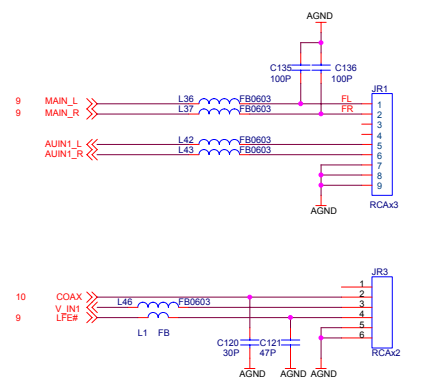
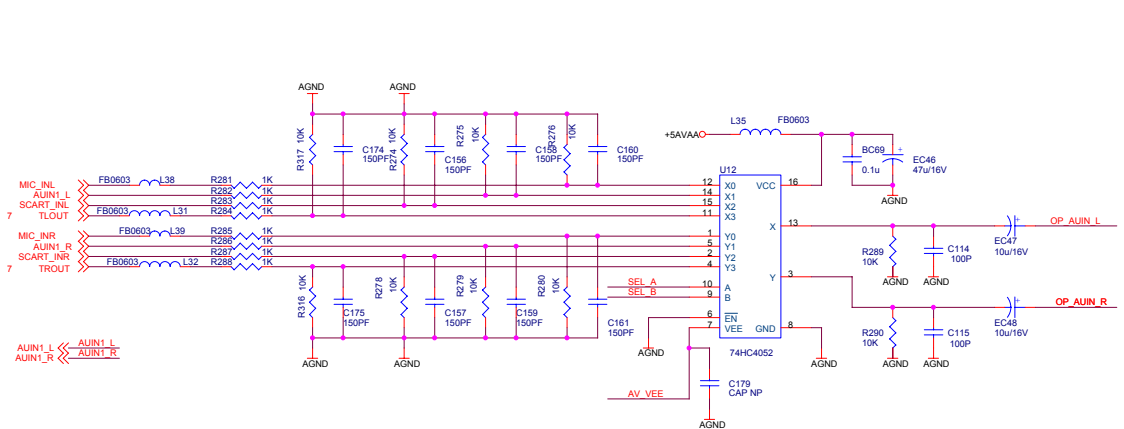
深圳兆驰多媒体有限公司

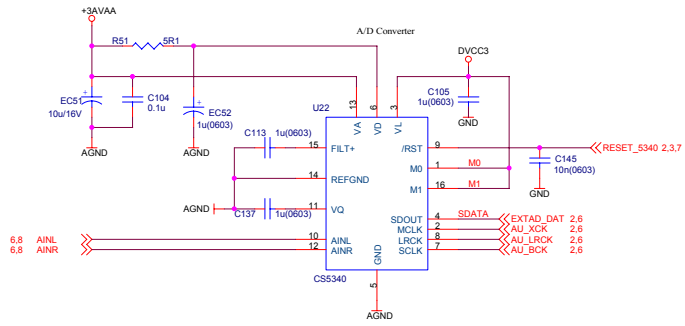
File Audio Filter		
Size	Document Number HTS301-2C01-02	Rev 1.0
Date	Saturday, March 04, 2006	Sheet 6 of 13



深圳兆驰多媒体有限公司

Title		
Tuner		
Size	Document Number	Rev
	HT5301-ZC01-02	1.0
Date:	Saturday, March 04, 2006	Sheet 7 of 13



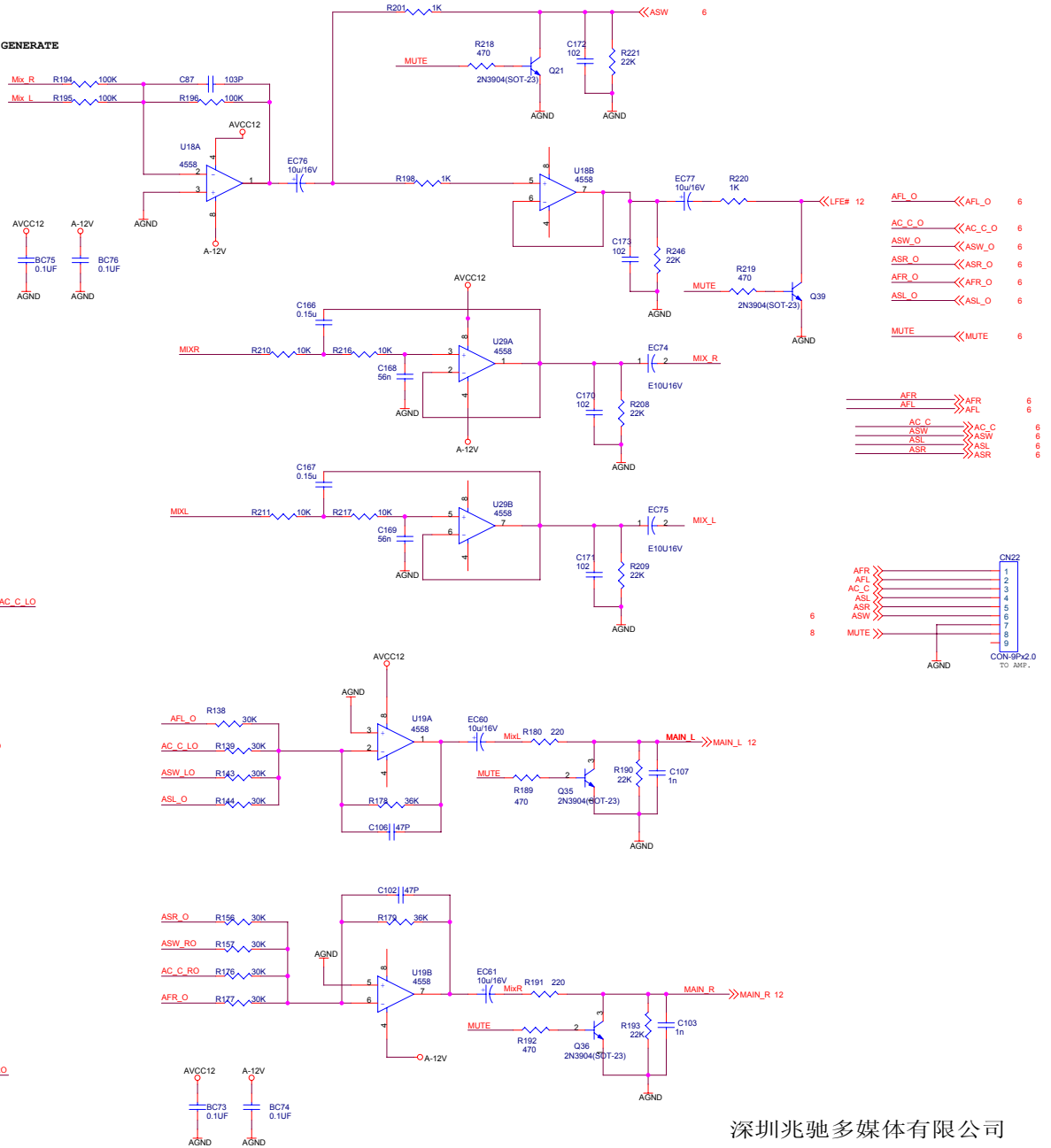


6.8 AINL
6.8 AINR

MI	MO	MODE
0	0	Clock Master, Single Speed
0	1	Clock Master, Double Speed
1	0	Clock Master, Quad Speed
1	1	Clock Slave, All Speed
SDATA		Sign-->12C; Low-->1L

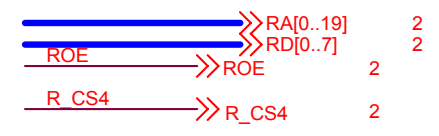
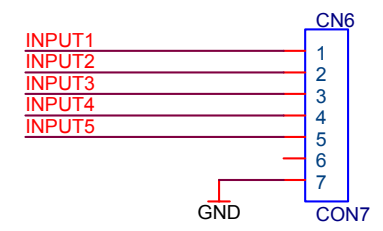
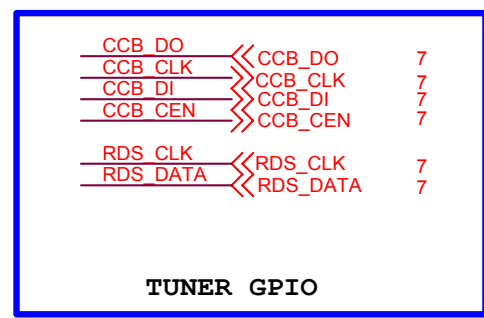
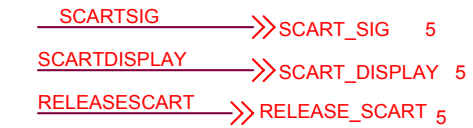
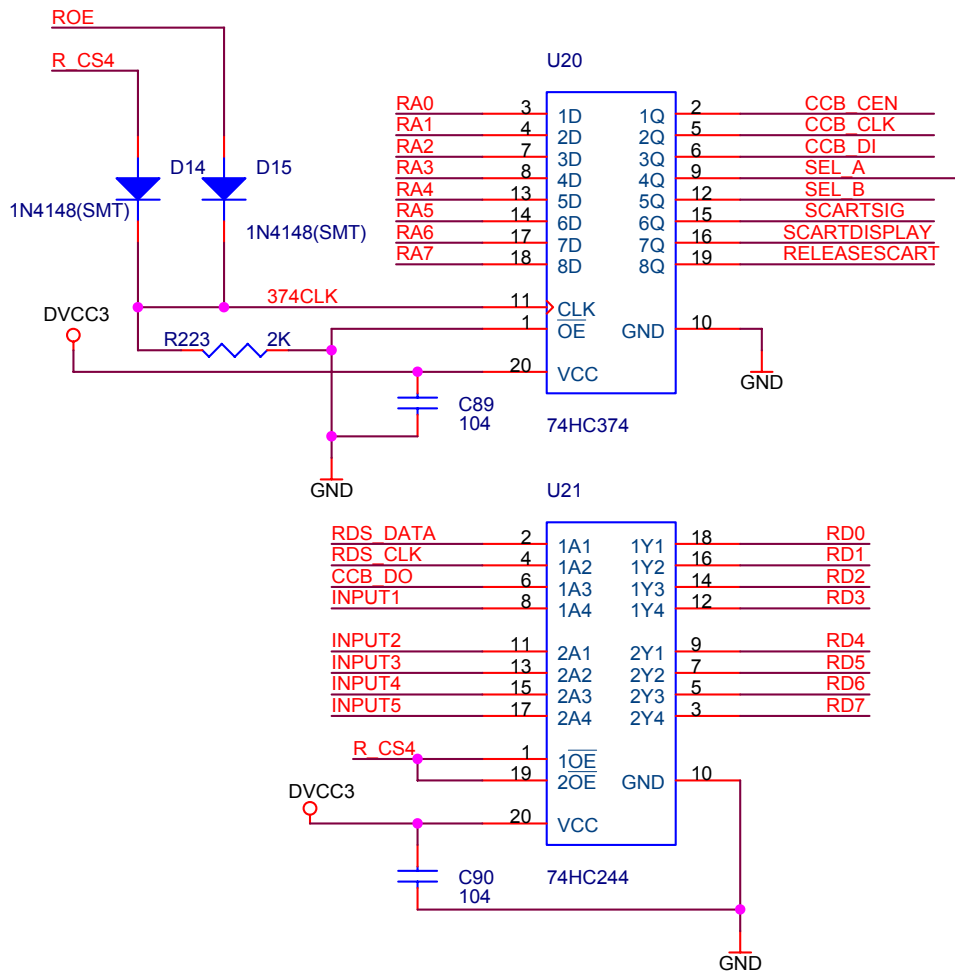


LFE GENERATE



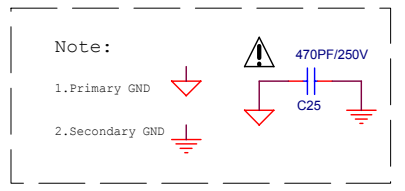
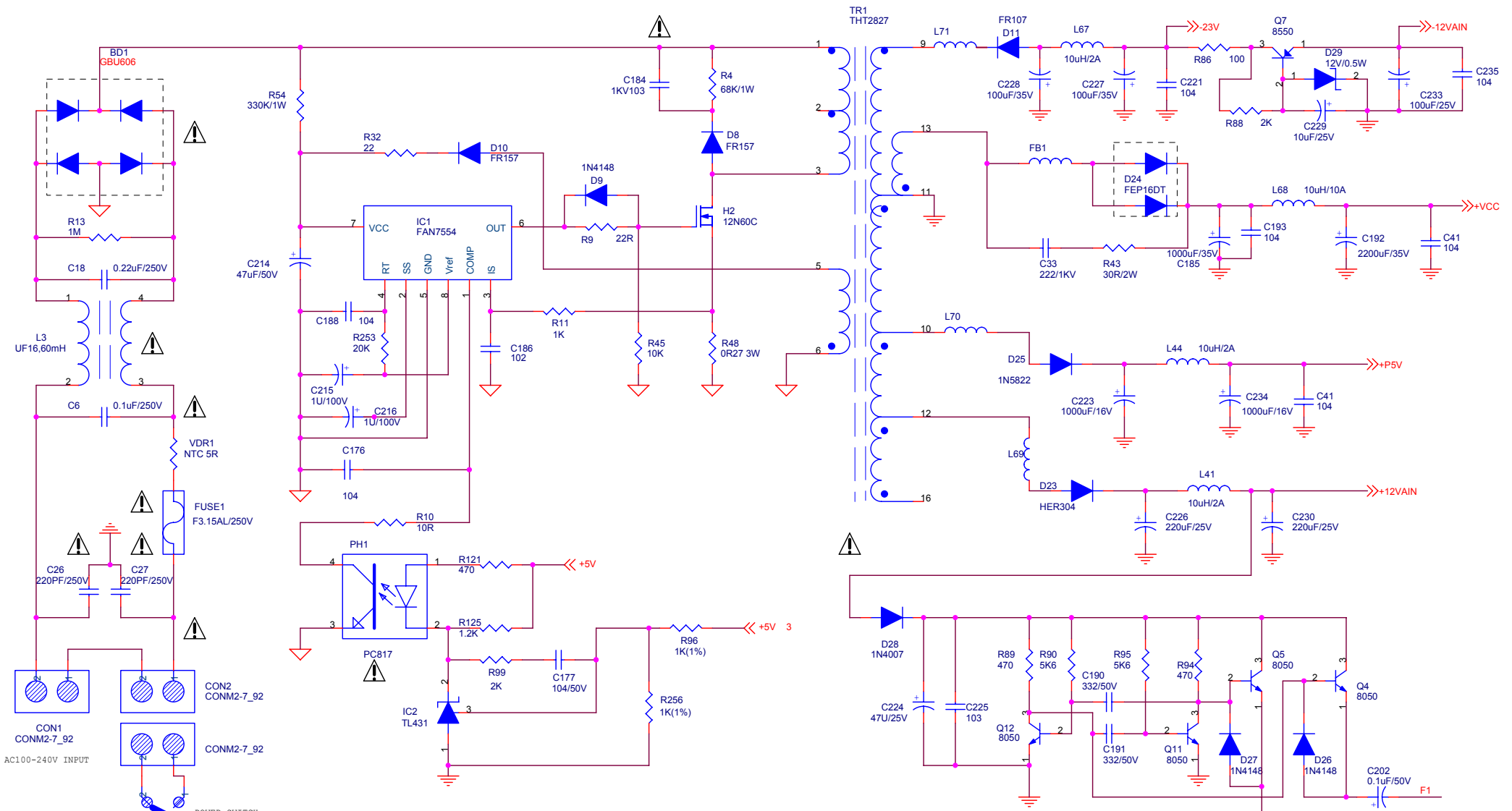
深圳兆驰多媒体有限公司

Title External ADC		
Size	Document Number HTS301-2C01-02	Rev 1.0
Date	Saturday, March 04, 2006	Sheet 9 of 13



深圳兆驰多媒体有限公司

Title		
ROM BUS		
Size	Document Number	Rev
	HT5301-ZC01-02	1.0
Date:	Saturday, March 04, 2006	Sheet 11 of 13



⚠ Adjacent to the relevant component denoting specific component shall be replaced only by the component specified in the circuit for safety reasons.

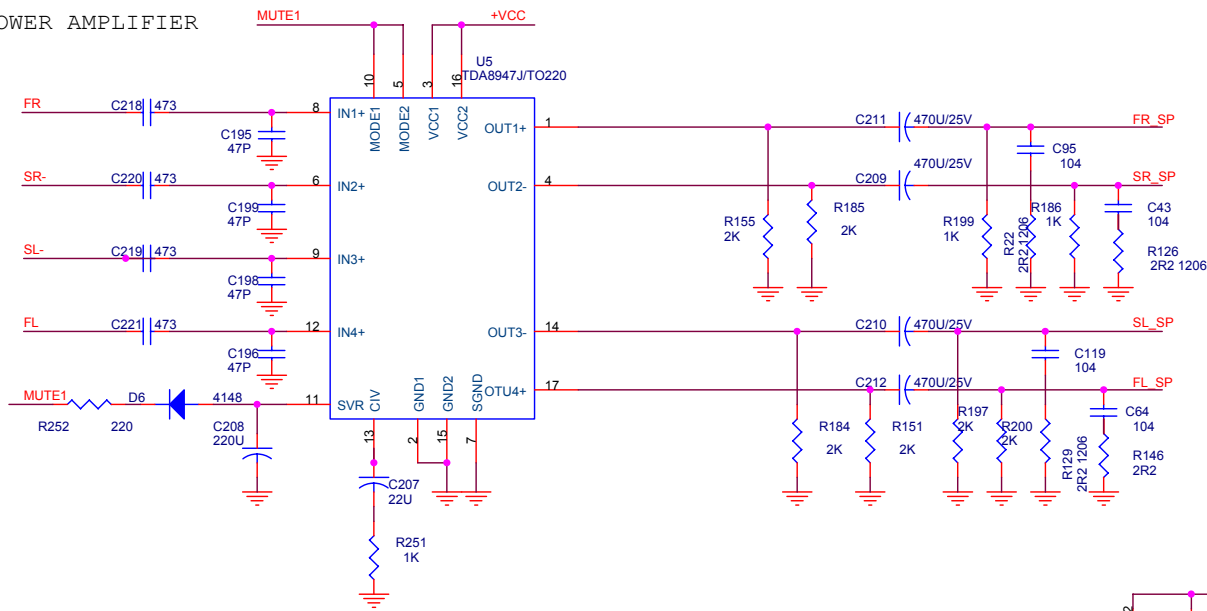
Note: Damage requiring service, unplug this product from the wall outlet and refer servicing to qualified service personnel.

When replacement parts are required, be sure the service technician has used replacement parts specified by the manufacturer or have the same characteristics as the original parts.

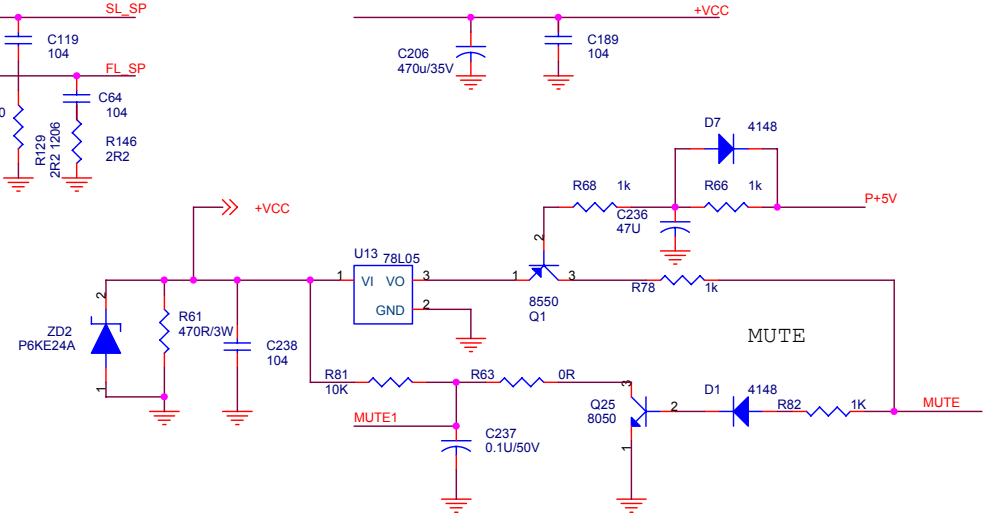
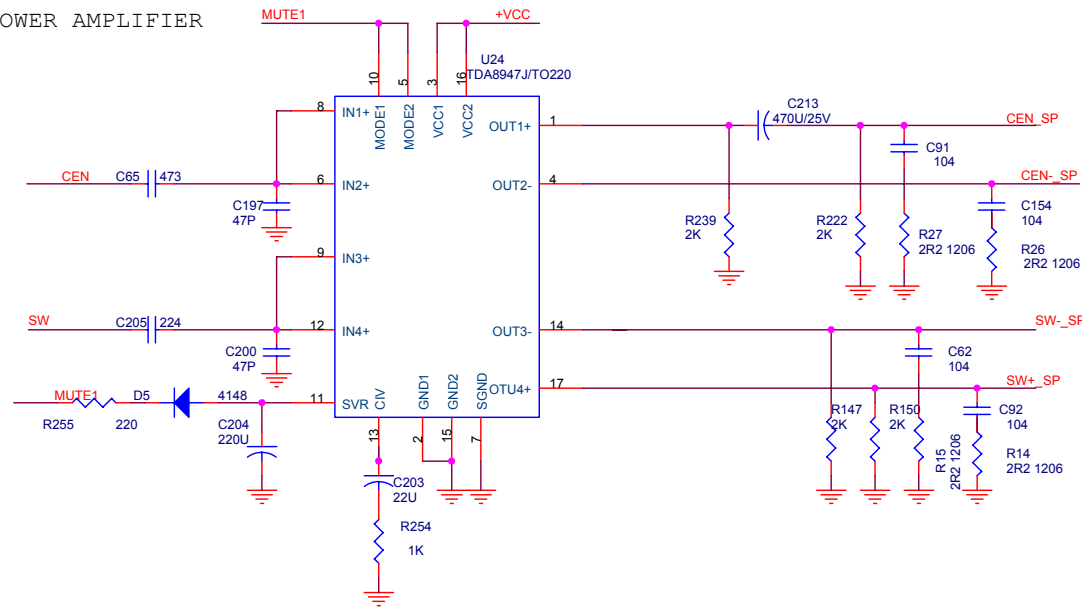
Unauthorized substitutions may result in fire, electric shock, or other hazards.

Title		
Supply for Amp.		
Size	Document Number	Rev
B	HT5301-ZC01-02	1.0
Date:	Saturday, March 04, 2006	Sheet 12 of 13

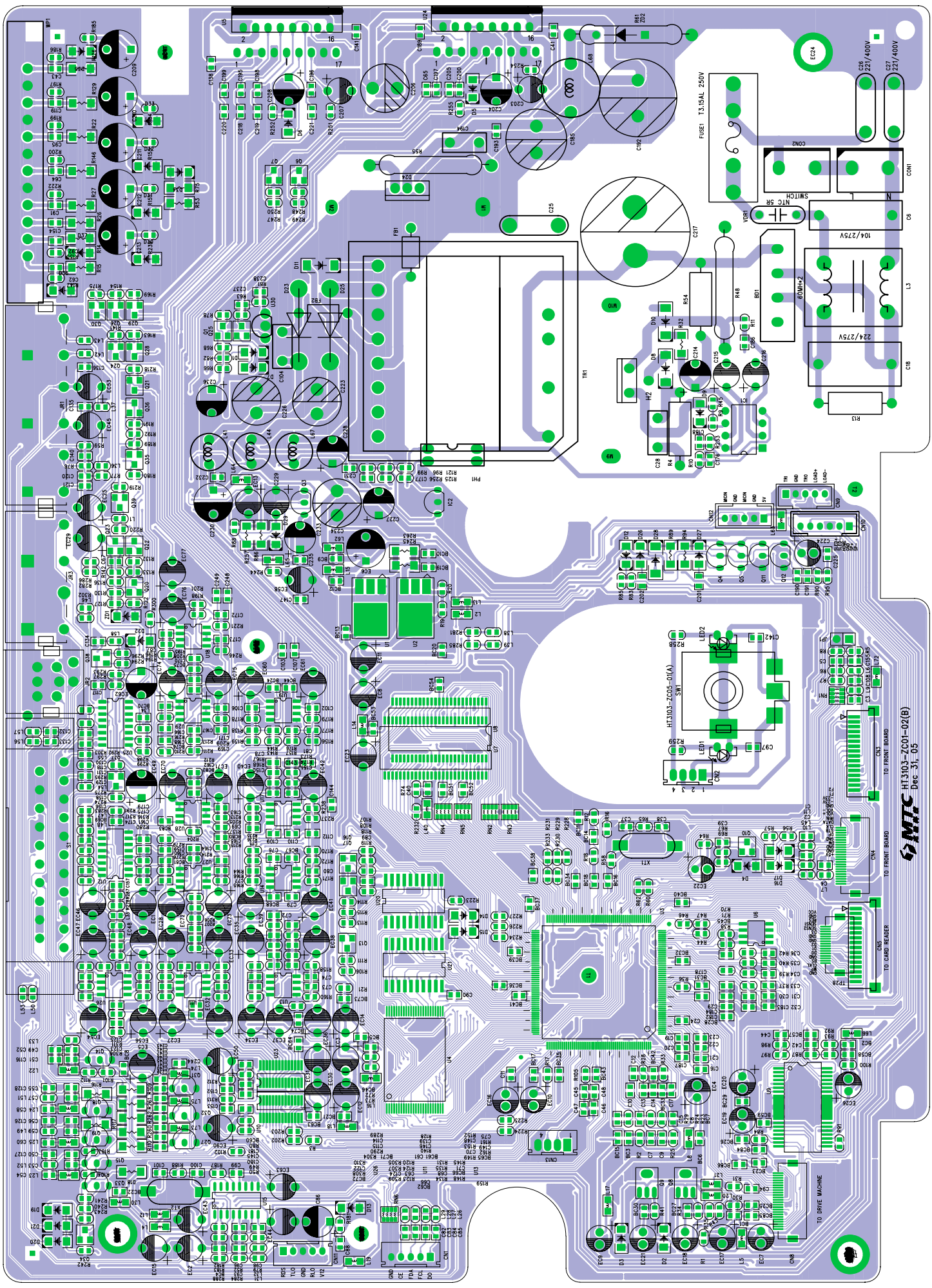
POWER AMPLIFIER



POWER AMPLIFIER



Title	<Title>	
Size	Document Number	Rev
B	HT5301-ZC01-02	<RevCode>
Date:	Saturday, March 04, 2006	Sheet 13 of 13



MTC HI3103-ZC01-02(B)
Dec 31, 05

TO FRONT BOARD

TO FRONT BOARD

TO CARD HEADER

CNG

TO DRIVE MACHINE

TO FRONT BOARD

TO FRONT BOARD

