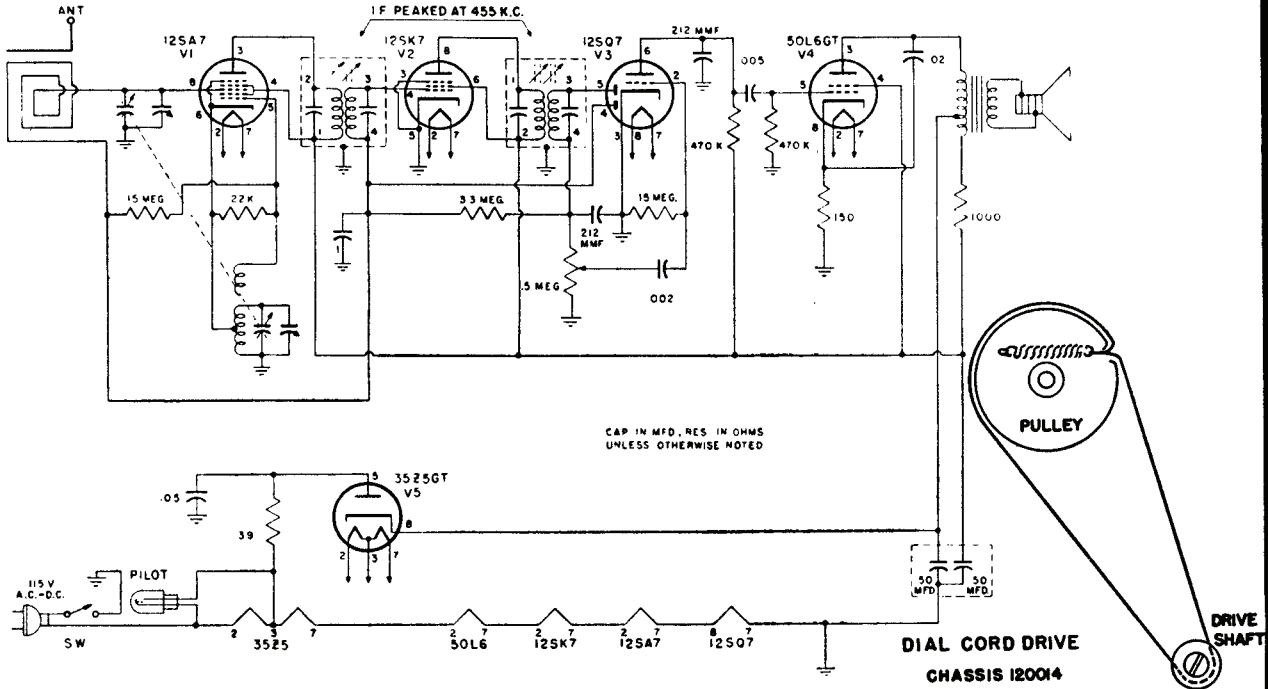


# MANUAL OF 1950 MOST-OFTEN-NEEDED RADIO DIAGRAMS

## Emerson Radio

MODELS: 581, 594, 595

CHASSIS MODELS: 120014A, 120071A



### INSTRUCTIONS FOR VOLTAGE AND RESISTANCE READINGS

1. Voltage readings are in d.c. volts and resistance readings in ohms unless otherwise specified.
2. All measurements made with voltohmmyst.
3. Socket connections are shown as bottom views.
4. Measured values are from socket pin to common negative, unless otherwise specified.
5. Line voltage maintained at 117 volts for voltage readings.
6. Nominal tolerance on component values makes possible a variation of  $\pm 15\%$  in voltage and resistance readings.
7. Volume control at maximum with no signal applied, for voltage measurements.

### VOLTAGE READINGS

SYMBOL	TUBE	PIN 1	PIN 2	PIN 3	PIN 4	PIN 5	PIN 6	PIN 7	PIN 8
V1	12SA7GT	0	24 AC	95	95	-13	0	12 AC	-2
V2	12SK7GT	0	36 AC	0	-2	0	95	24 AC	95
V3	12SQ7GT	0	-1	0	-2	-5	55	0	12 AC
V4	50L6GT	NC	90 AC	110	95	0	NC	36 AC	6
V5	35Z5GT	NC	117 AC	112 AC	114	110 AC	NC	90 AC	114

### RESISTANCE READINGS

SYMBOL	TUBE	PIN 1	PIN 2	PIN 3	PIN 4	PIN 5	PIN 6	PIN 7	PIN 8
V1	12SA7GT	0	48	1K*	1K*	24K	0	32	3 Meg.
V2	12SK7GT	0	60	0	3 Meg.	0	1K*	48	1K*
V3	12SQ7GT	0	15 Meg.	0	3 Meg.	.5 Meg.	540K*	0	32
V4	50L6GT	NC	110	160*	900*	.5 Meg.	NC	60	150
V5	35Z5GT	NC	148	145	0*	190	NC	110	0*

NC = no connection; K = kilohm; Meg. = megohm.

\* Readings taken to pin 8 of V5.