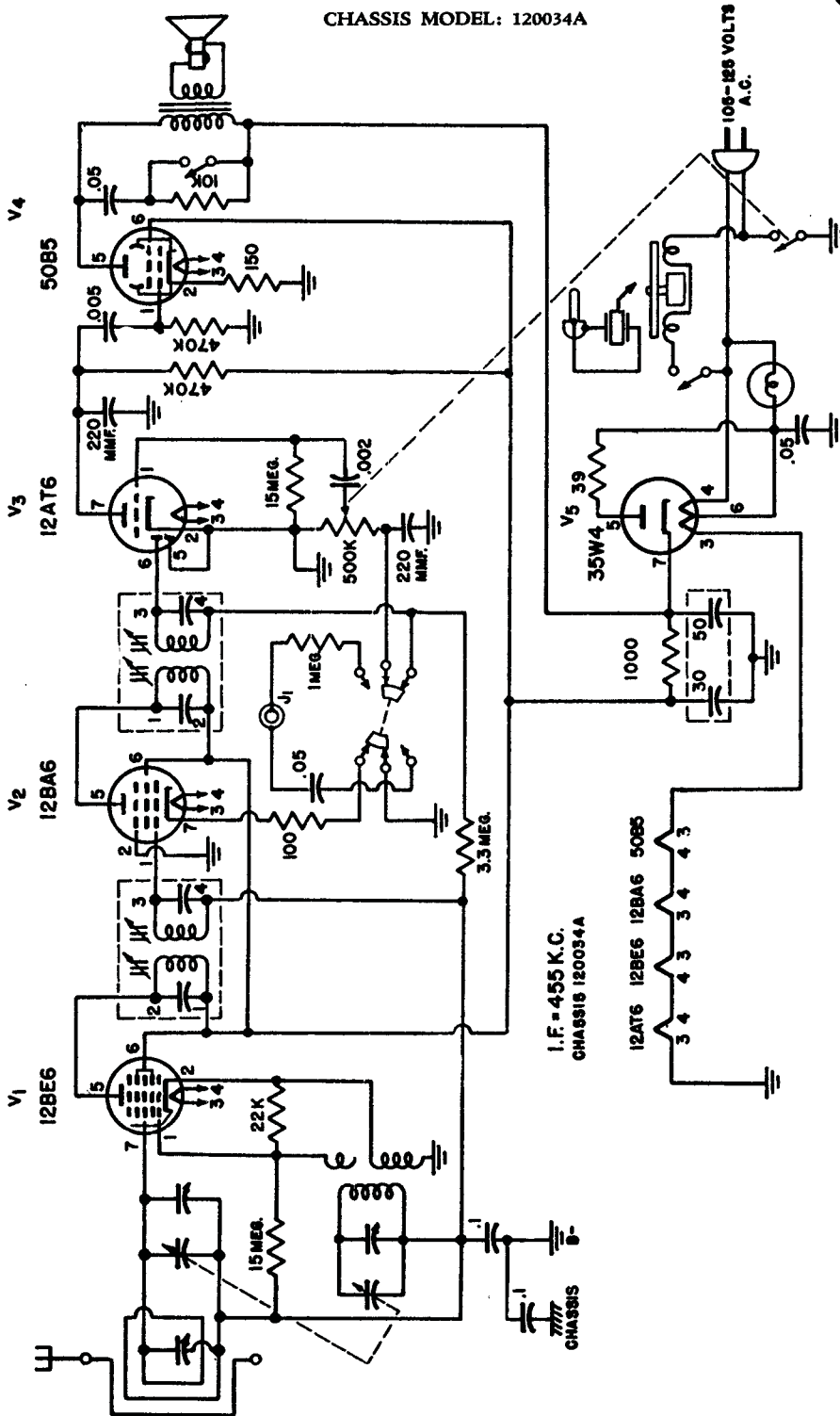


MANUAL OF 1950 MOST-OFTEN-NEEDED RADIO DIAGRAMS

Emerson Radio

MODELS: 579, 596

CHASSIS MODEL: 120034A

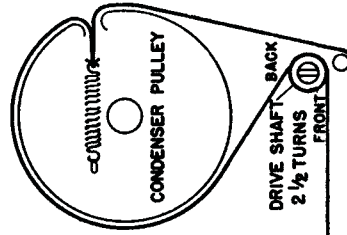


I.F. = 455 K.C.
CHASSIS 120034A

VOLTAGE READINGS

SYMBOL	TUBE	PIN 1	PIN 2	PIN 3	PIN 4	PIN 5	PIN 6	PIN 7
V1	12BE6	-4.5	0	25 A.C.	13 A.C.	95	96	-1
V2	12BA6	-1	0	25 A.C.	38 A.C.	95	96	4
V3	12AT6	-5	0	0	13 A.C.	0	-3	42
V4	50B5	0	6.5	82 A.C.	38 A.C.	107	96	NC
V5	35W4	0	0	82 A.C.	117 A.C.	110 A.C.	112 A.C.	115

D.c. voltage measurements are at 20,000 ohms-per-volt; a.c. voltages are measured at 1000 ohms-per-volt. Socket connections are shown as bottom viels. Values are measured from socket pin to common negative. Line voltage maintained at 117 volts for voltage readings. Volume control at maximum; radio-phonograph switch in radio position; no signal applied for voltage measurements. Nominal tolerance on component values makes possible a variation of $\pm 15\%$ in voltage and resistance readings.



DIAL CORD DRIVE

