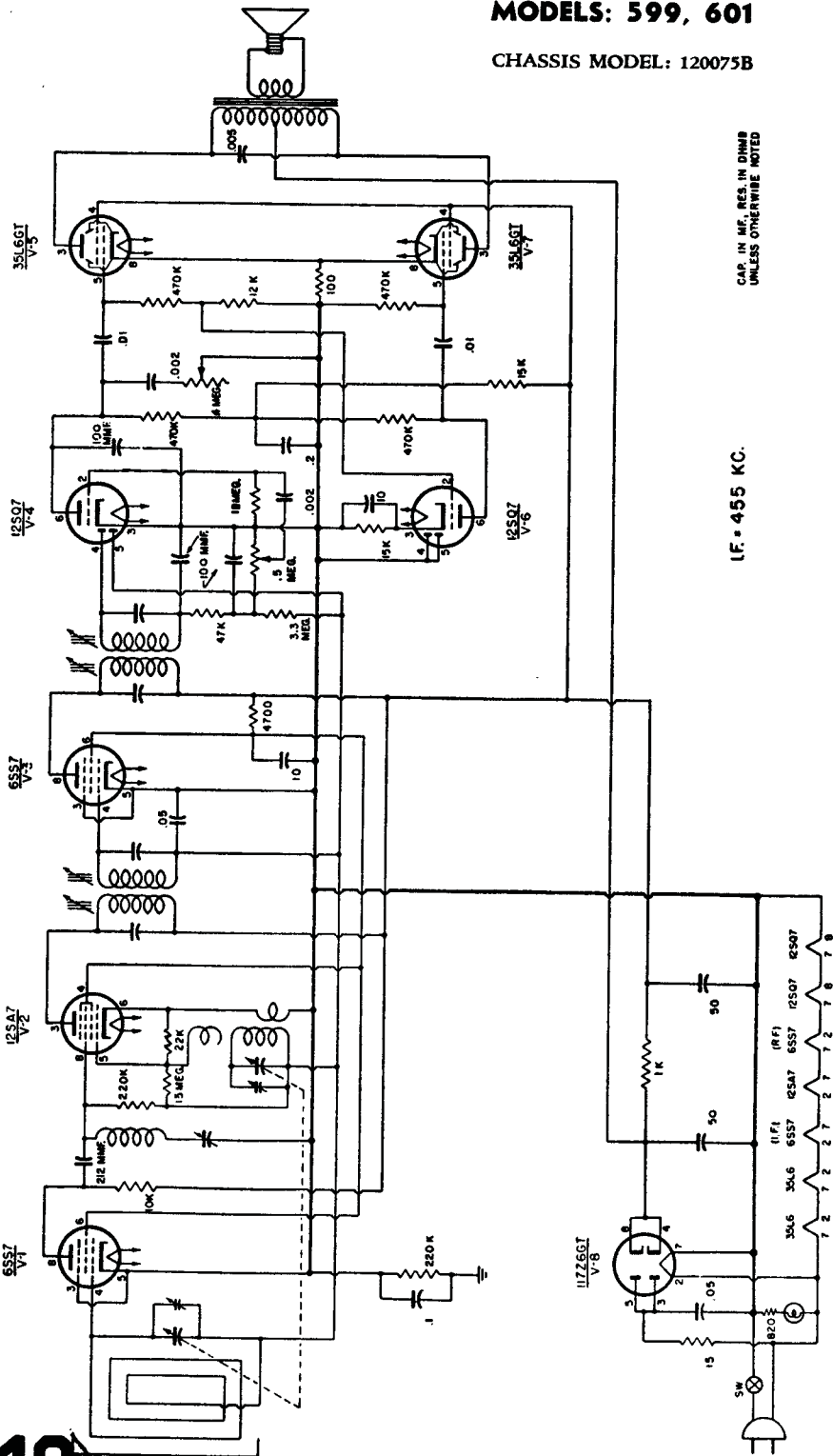
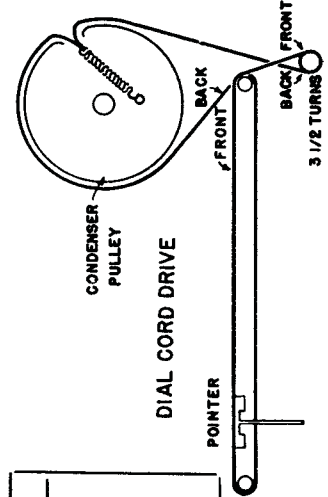


MANUAL OF 1950 MOST-OFTEN-NEEDED RADIO DIAGRAMS

Emerson Radio

MODELS: 599, 601

CHASSIS MODEL: 120075B



VOLTAGE READINGS

SYMBOL	TUBE	PIN 1	PIN 2	PIN 3	PIN 4	PIN 5	PIN 6	PIN 7	PIN 8
V1	6SS7	0	24AC	0	-1.2	0	64	29AC	54
V2	12SA7	0	41AC	98	64	-5	0	29AC	-1.5
V3	6SS7	0	48AC	0	-1.2	0	64	41AC	92
V4	12SQ7	0	-1	0	-4	0	58	0	12AC
V5	12SQ7	0	0	1.2	0	0	64	24AC	12AC
V6	35L6GT	0	48AC	120	100	0	96	83AC	7
V7	35L6GT	0	83AC	120	100	117AC	0	117AC	7
V8	117Z6GT	NC	117AC	117AC	125	NC	NC	0	125

All measurements made with voltohmmyst.
Socket connections are shown as bottom views.
Measured values are from socket pin to common negative, unless otherwise noted.
Line voltage maintained at 117 volts a.c. for voltage readings.