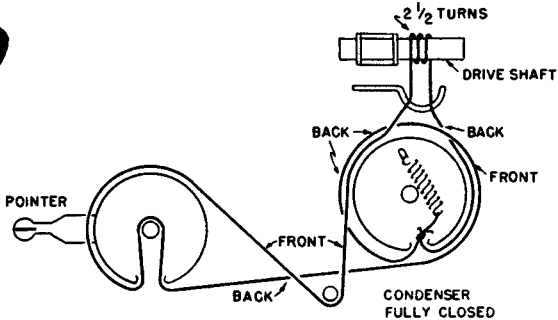
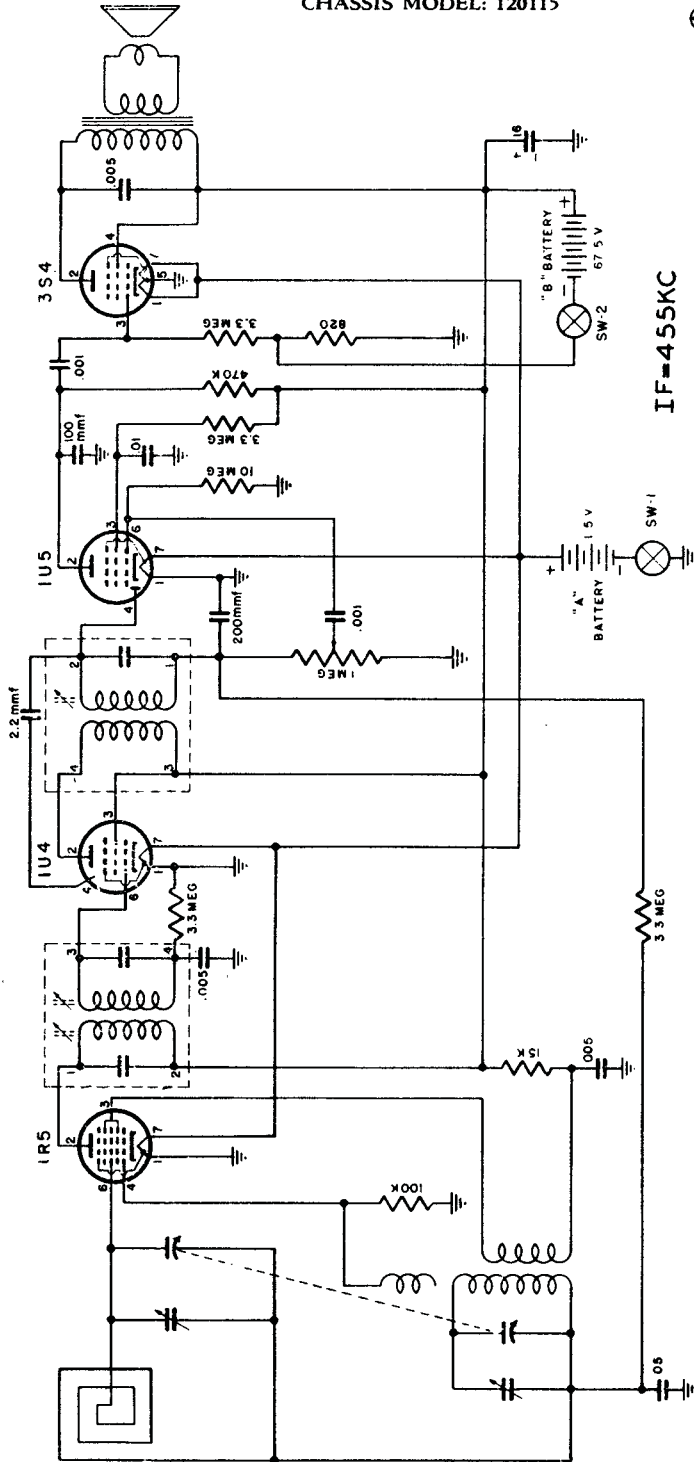


# Emerson Radio

**MODEL: 645**

CHASSIS MODEL: 120115



## CONDITIONS FOR VOLTAGE AND RESISTANCE READINGS

1. Voltage readings are + dc. volts, resistance readings are ohms unless otherwise noted.
2. All measurements made with voltohmmyst or equivalent.
3. Socket connections are shown as bottom views, with valves measured from socket pin to chassis.
4. No signal applied for voltage measurements.
5. Nominal tolerance on component valves makes possible a variation of  $\pm 15\%$  in readings.
6. On the voltage and resistance diagram, readings above line are voltage, valves below line indicate resistance. K= kilohms, MEG=megohms.
7. Valves marked \* measured to pin 4 of V-4 (B+).

