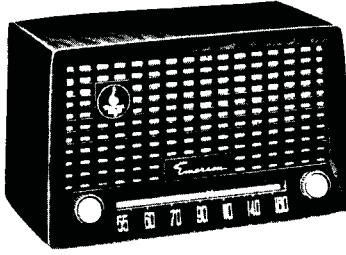


MANUAL OF 1950 MOST-OFTEN-NEEDED RADIO DIAGRAMS

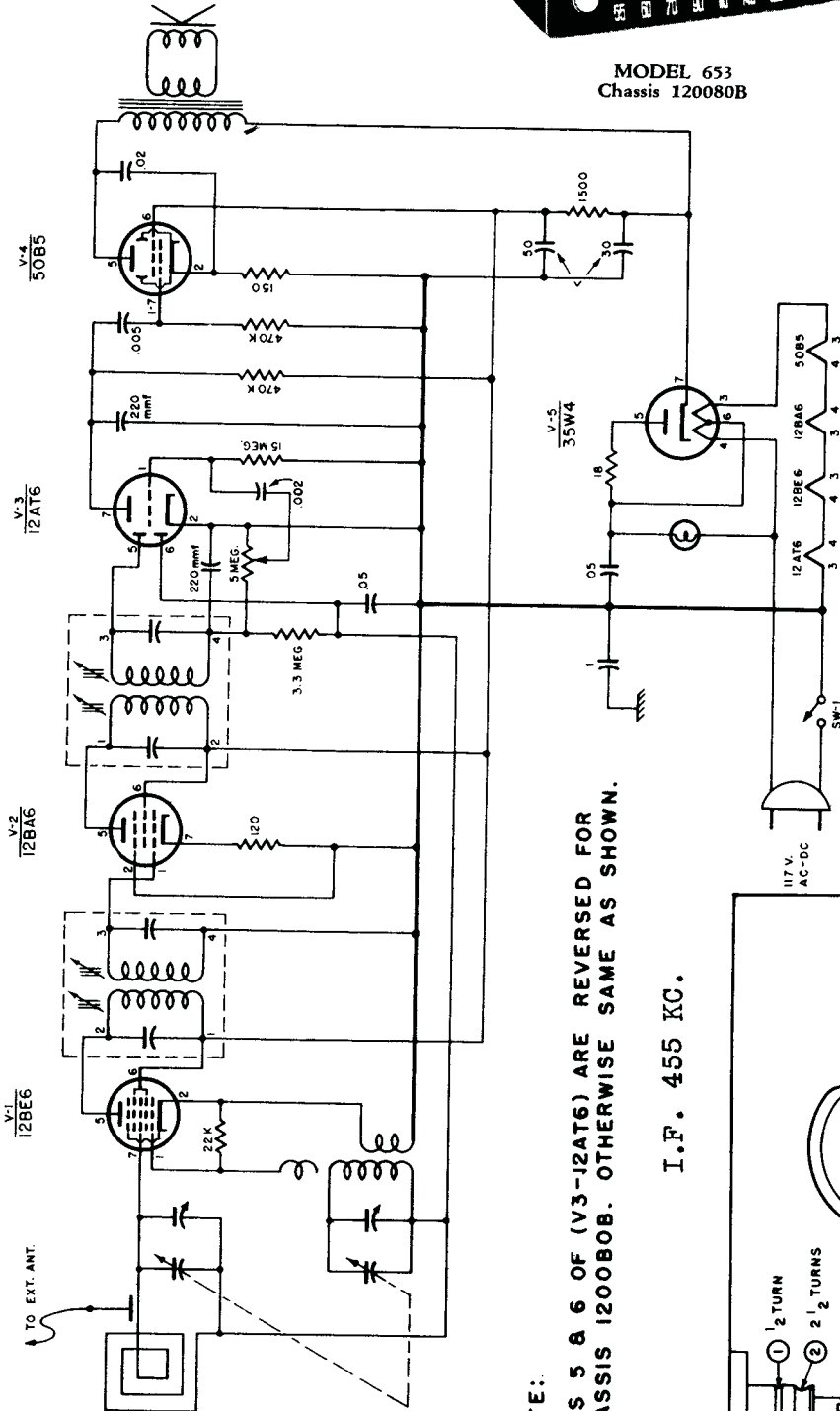
Emerson

MODELS: 652, 653

CHASSIS: 120032B, 120080B



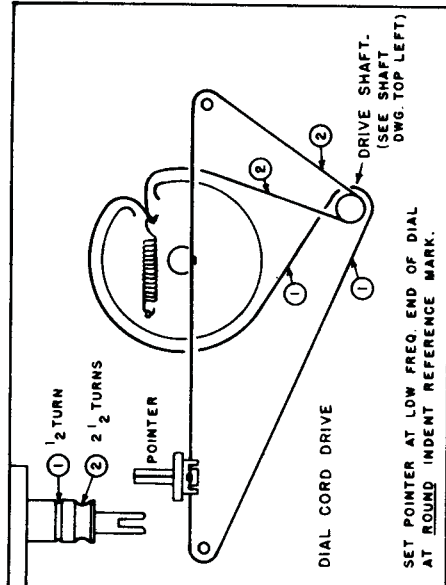
MODEL 653
Chassis 120080B



NOTE:

PINS 5 & 6 OF (V3-12AT6) ARE REVERSED FOR CHASSIS 120080B. OTHERWISE SAME AS SHOWN.

I.F. 455 KC.



DIAL CORD DRIVE
— FOR CHASSIS 120032B

VOLTAGE READINGS FOR CHASSIS 120032B AND 120080B

Symbol	TUBE	PIN 1	PIN 2	PIN 3	PIN 4	PIN 5	PIN 6	PIN 7
V1	12BE6	-6.2 DC	0	24 AC	11.5 AC	85 DC	85 DC	-0.5 DC
V2	12BA6	-4 DC	0	24 AC	37 AC	85 DC	85 DC	1.4 DC
V3	12AT6	0	0	0	11.5 AC	*-0.2 DC	*-0.5 DC	50 DC
V4	50B5	0	5 DC	86 AC	37 AC	115 DC	85 DC	0
V5	35W4	0	0	86 AC	117 AC	110 AC	112 AC	120 DC

RESISTANCE READINGS FOR CHASSIS 120032B AND 120080B

Symbol	TUBE	PIN 1	PIN 2	PIN 3	PIN 4	PIN 5	PIN 6	PIN 7
V1	12BE6	2400	0.6	25	13	300,000	300,000	3 meg.
V2	12BA6	20	0	25	38	300,000	300,000	120
V3	12AT6	15	0	0	13	*500,000	*3.5	700,000
V4	50B5	400,000	150	75	38	300,000	300,000	400,000
V5	35W4	Inf.	Inf.	75	100	95	95	300,000

*12AT6, Pin 5 is -0.5 in Chassis 120080B

*12AT6, Pin 6 is -0.2 in Chassis 120080B

*12AT6, Pin 6 is 500,000 in Chassis 120080B