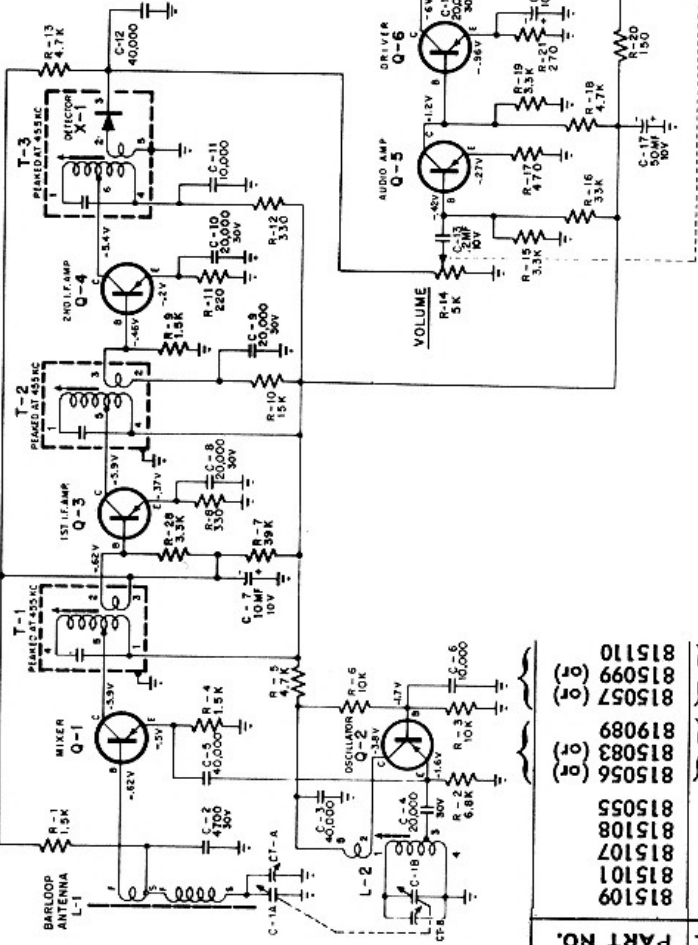
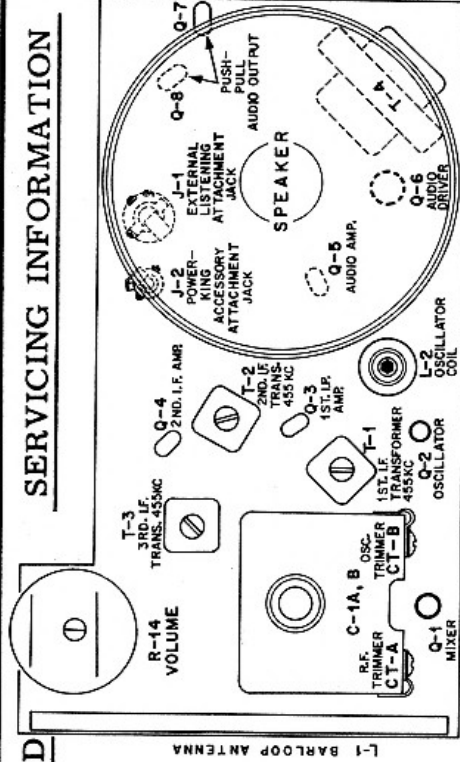


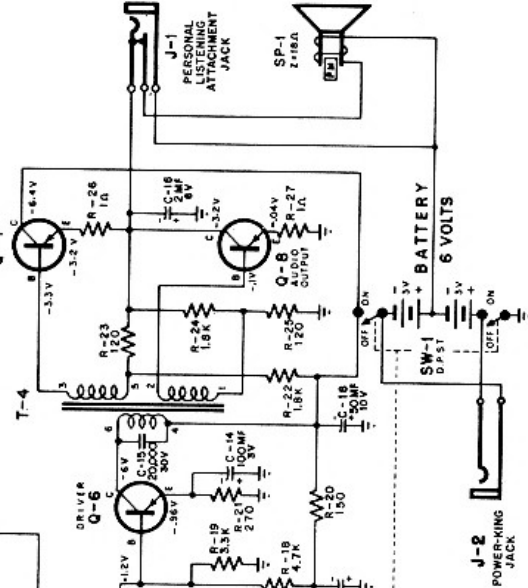
Emerson

MODELS:
 888 "TITAN"
 888 "GALAXY"
 CHASSIS: 120655

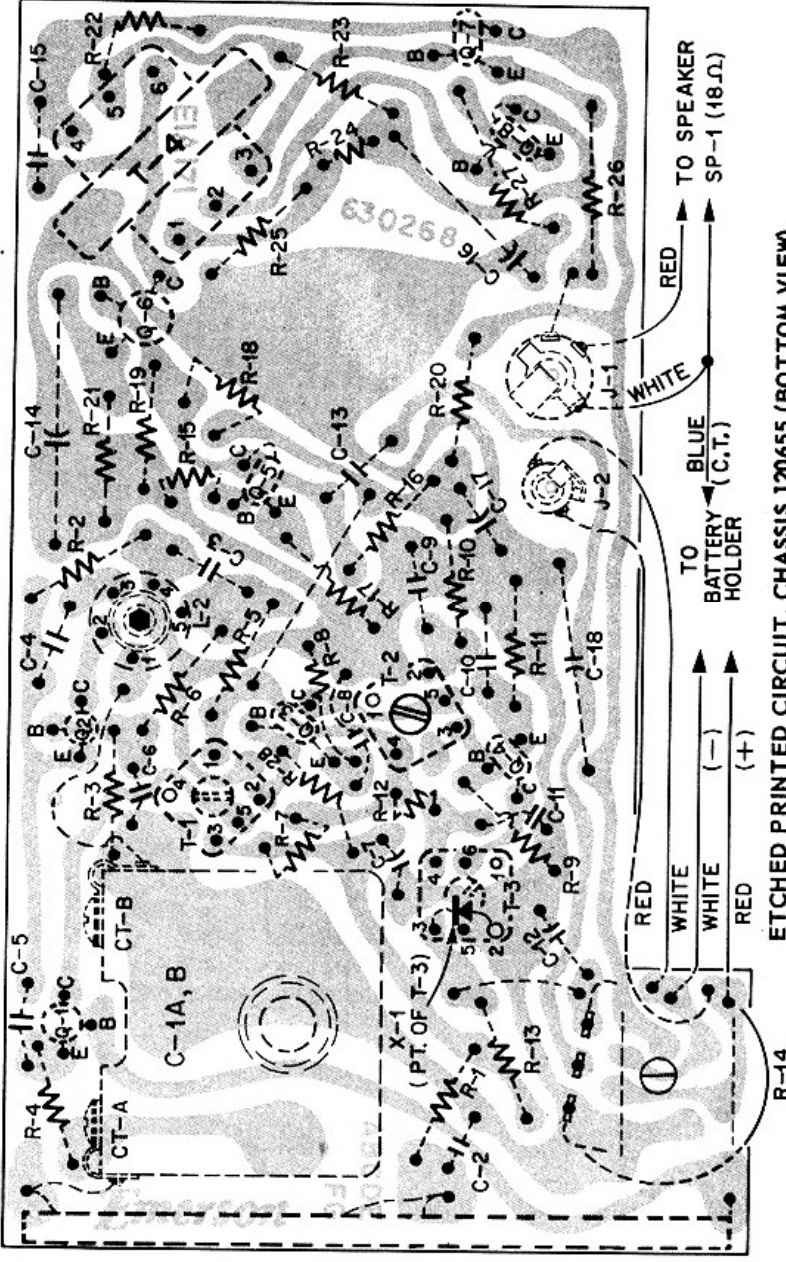


ALIGNMENT POINT LOCATION

CERAMIC CAPACITORS, CAPACITY IN PICOFARADS (PF) UNLESS NOTED.
 TUBULAR CAPACITORS, CAPACITY IN MICROFARADS.
 RESISTORS IN OHMS (K=1000 OHMS) AND 1/2 WATT.



SYMBOL	PART NO.
Q-1	815109
Q-2	815107
Q-3	815108
Q-4	815055
Q-5	815056
Q-6	815083 (or 815089)
Q-7	815057 (or 815110)



ETCHED PRINTED CIRCUIT, CHASSIS 120655 (BOTTOM VIEW)