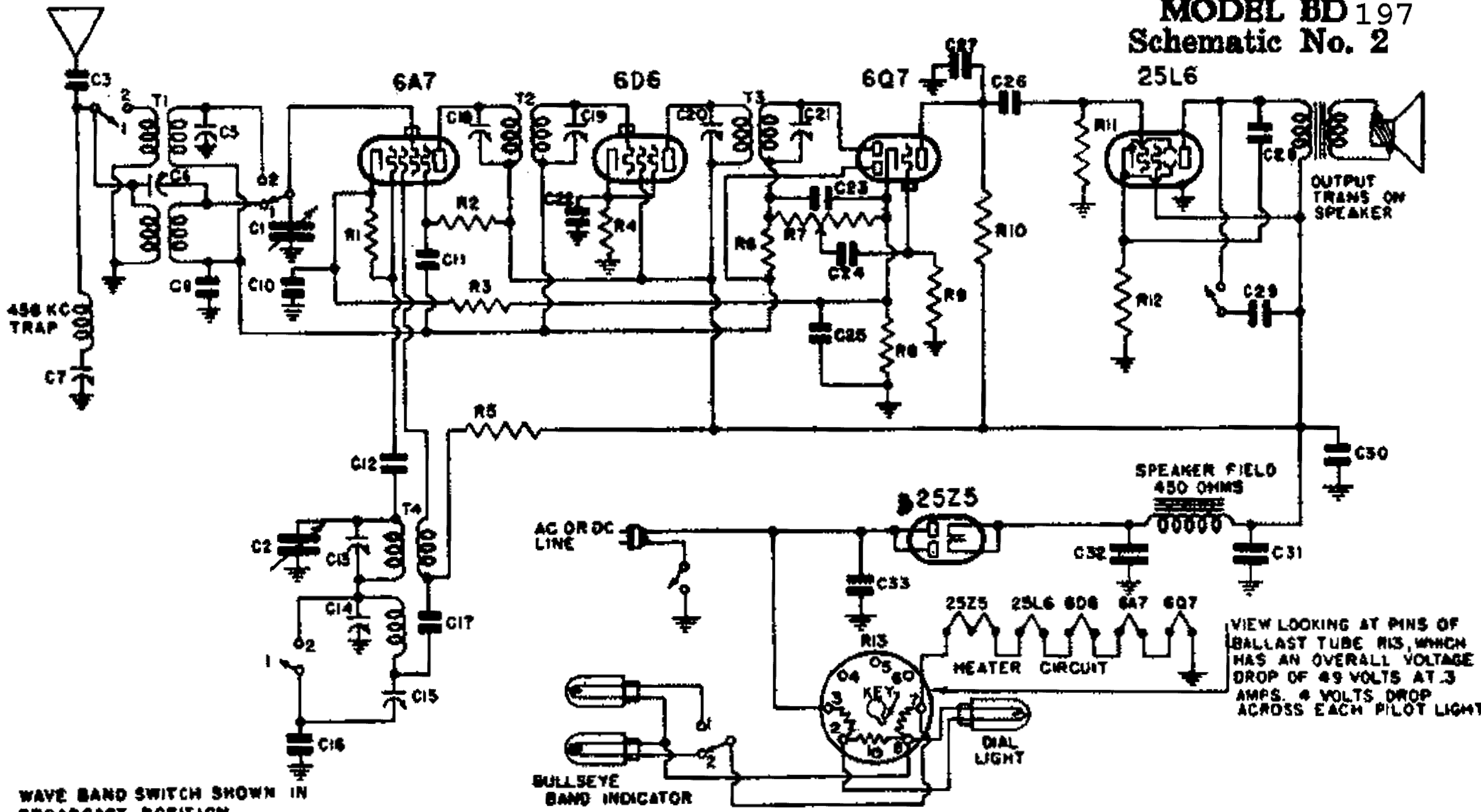


# MODEL BD 197 Schematic No. 2



WAVE BAND SWITCH SHOWN IN  
BROADCAST POSITION  
POSITION NO1 BROADCAST  
NO2 SHORT WAVE

**SCHEMATIC DIAGRAM**

1-F PEAKED AT 456 KC  
6 TUBE AC DC RECEIVER

VIEW LOOKING AT PINS OF  
BALLAST TUBE 25Z5, WHICH  
HAS AN OVERALL VOLTAGE  
DROP OF 49 VOLTS AT .3  
AMPS. 4 VOLTS DROP  
ACROSS EACH PILOT LIGHT