

# MANUAL OF 1941 MOST POPULAR SERVICE DIAGRAMS

## DL-330

CHASSIS MODEL: DL

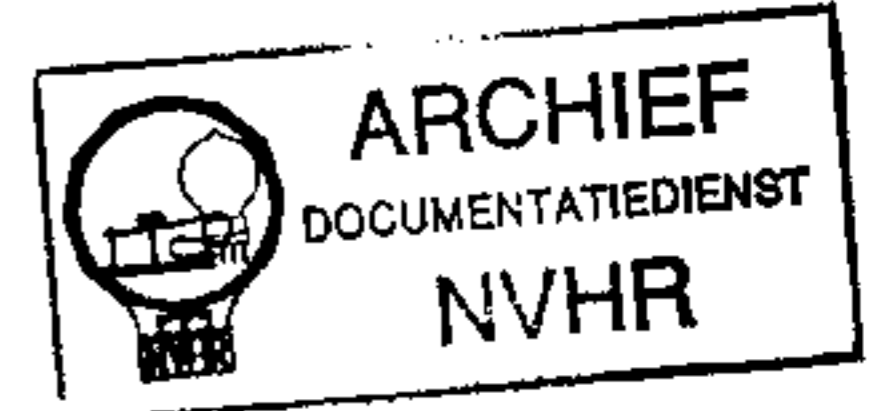
## DB-296, DB-301, DB-315 and DB-327

CHASSIS MODEL: DB

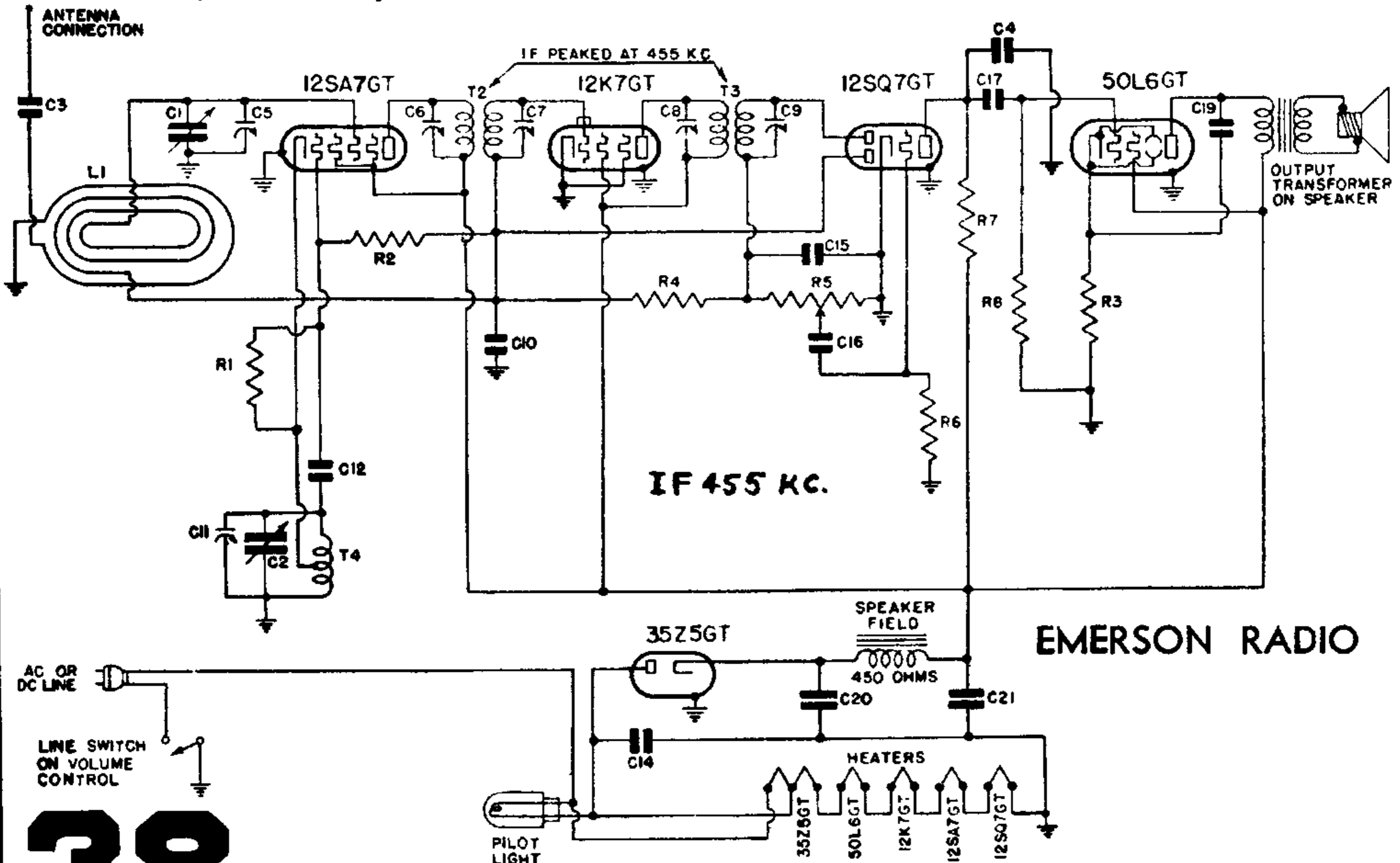
## DW-330A, DW-330B and DW-358

CHASSIS MODEL: DW

Ned. Ver. v. Historie v/d Ra



*Item	Part No.	DESCRIPTION
L1	7BW-179	Loop antenna assembly.....
T4	7BT-486A	Oscillator coil (DB1 and DL1).....
T4	7BT-486	Oscillator coil (DB, DL and DW).....
T2	7BT-545	Double-tuned 455 kc first i-f transformer (DB, DB1, DW).....
T2	7BT-488	Double-tuned 455 kc first i-f transformer (DL, DL1).....
T3	7BT-550B	Double-tuned 455 kc second i-f transformer (see production change No. 1).....
R1	LR-60	20,000 ohm 1/4 watt carbon resistor.....
R3	3FR-293	140 ohm 1/2 watt wire-wound resistor.....
R4	NNR-220	3 megohm 1/4 watt carbon resistor.....
R5	7LR-378	Volume control .5 megohm with line switch (DL, DL1).....
R5	7BR-363	Volume control .5 megohm with line switch (DB, DL1).....
R5	7WR-389	Volume control .5 megohm with line switch (DW).....
R6, R2	4XR-327	15 megohm 1/4 watt carbon resistor.....
R7, R8	KR-56	500,000 ohm 1/4 watt carbon resistor.....
R9	LR-61	200,000 ohm 1/4 watt carbon resistor (DB1 and DL1).....
C1, C2	7BC-445	Two-gang variable condenser (DB, DB1 and DW).....
	7BC-445A	Two-gang variable condenser (DL and DL1).....
C5, C11		Trimmers, part of variable condenser.
C6, C7, C8, C9		Trimmers, part of i-f transformers.
C10, C23	BC-12	0.05 mf, 200 volt tubular condenser (C23 used in DB1 and DL1).....
C14	LC-64	0.05 mf, 400 volt tubular condenser.....
C12, C15, C4	4XC-394A	0.00022 mf mica condenser.....
C16, C3	3HC-274	0.002 mf, 600 volt tubular condenser.....
C17, C19	6JC-425	0.024 mf, 400 volt tubular condenser.....
C20, C21	6JC-426C	Dual 20 mf, 150 volt dry electrolytic condenser.....
C22	3CC-302	0.15 mf, 200 volt tubular condenser (DB1 and DL1).....



EMERSON RADIO