

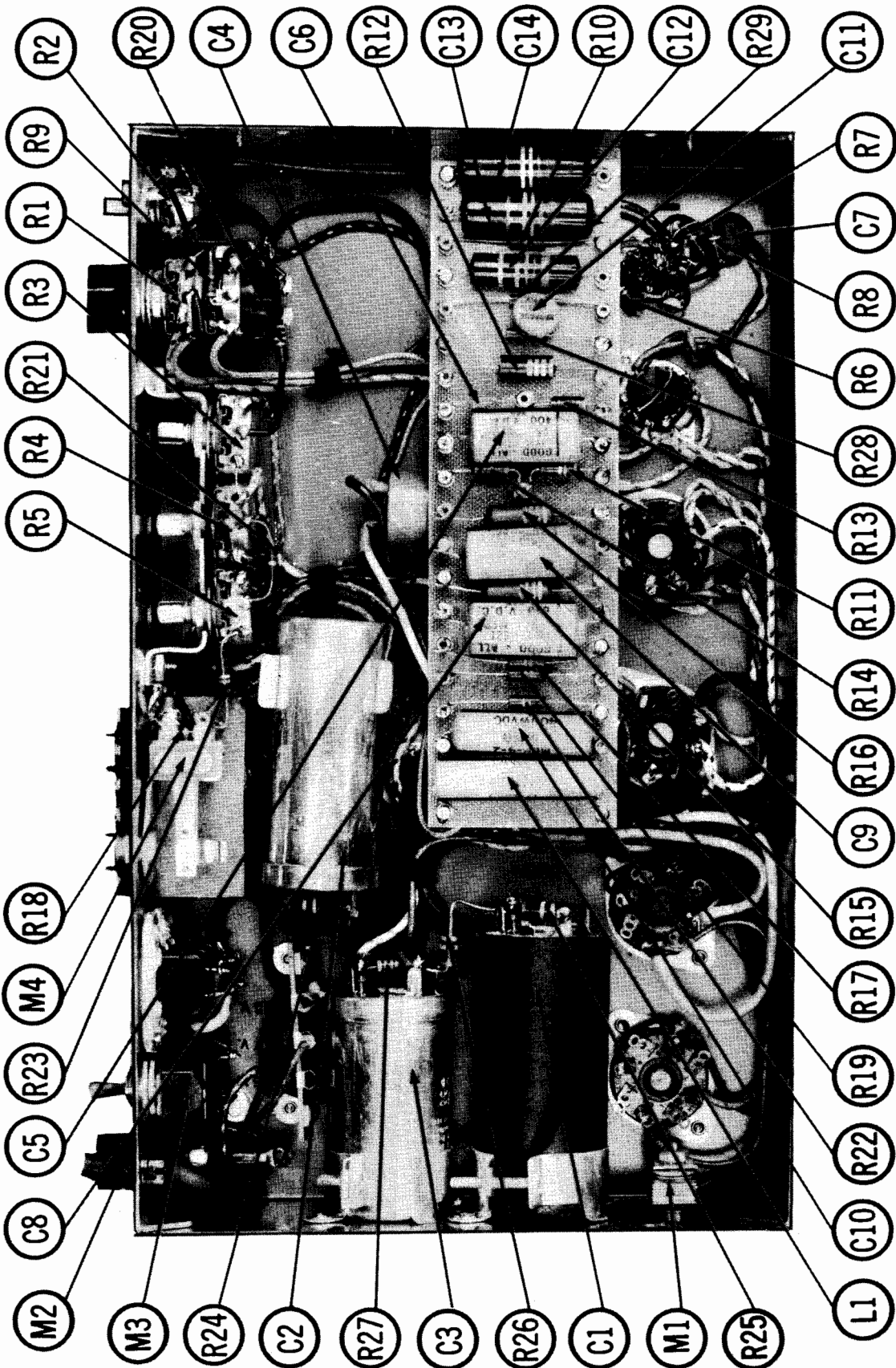
**FAIRCHILD
 MODEL 275**

TRADE NAME	Fairchild Model 275		
MANUFACTURER	Fairchild Recording Equipment Co., 10-40 45th Ave., Long Island City 1, N. Y.		
TYPE SET	AC Operated 65 Watt Audio Amplifier		
TUBES (Six)	Types 6AB4 AF Amplifier, 12AV7 AF Amp. - Phase Inv., (2) 6550 Output, (2) 5V4G Rectifier		
POWER SUPPLY	105-125 Volts AC - 50/60 Cycles	RATING	1.1 Amp. @ 117 Volts AC (130 Watts)

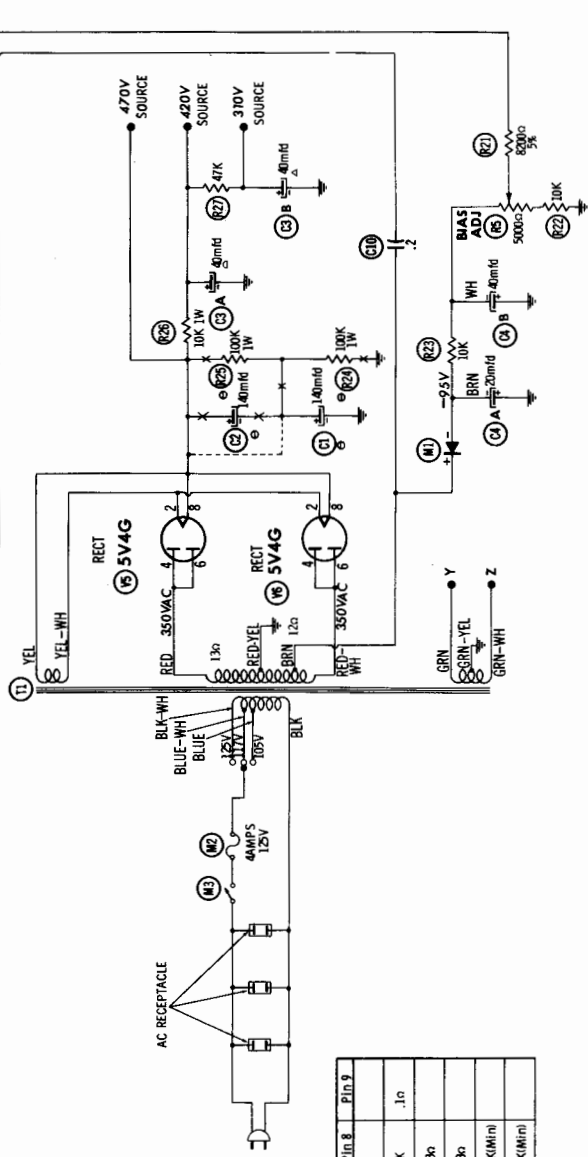
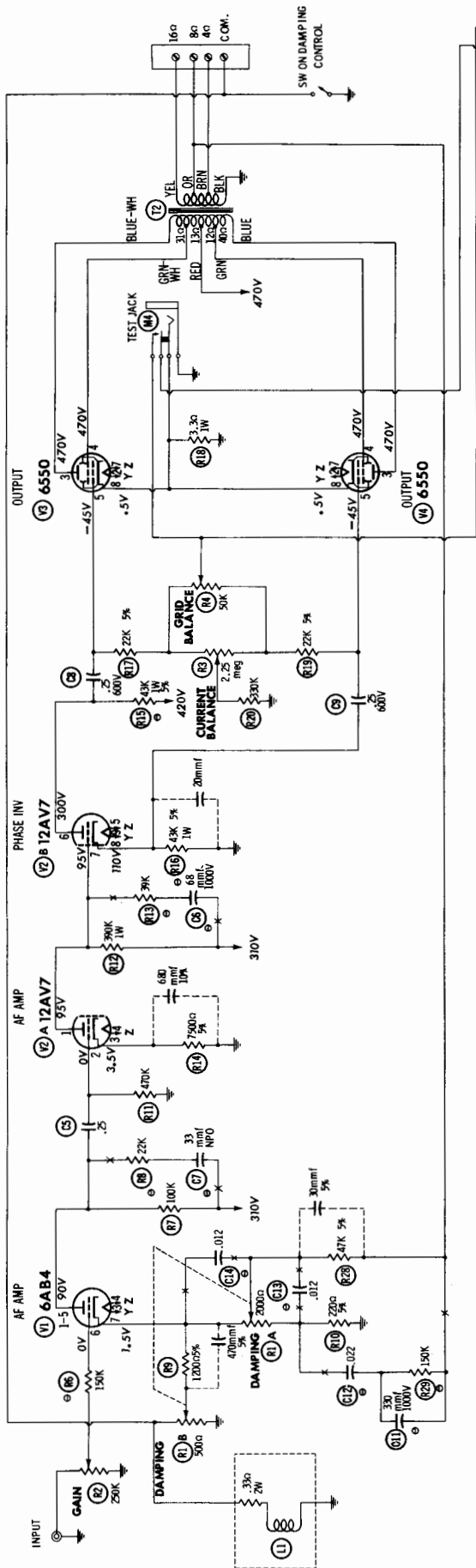
HOWARD W. SAMS & CO., INC. • Indianapolis 5, Indiana

The listing of any available replacement part herein does not constitute in any case a recommendation, warranty or guaranty by Howard W. Sams & Co., Inc., as to the quality and suitability of such replacement part. The numbers of these parts have been compiled from information furnished to Howard W. Sams & Co., Inc., by the manufacturers of

the particular type of replacement part listed. Reproduction or use, without express permission, of editorial or pictorial content, in any manner, is prohibited. No patent liability is assumed with respect to the use of the information contained herein. © 1957 Howard W. Sams & Co., Inc., Indianapolis 5, Indiana. Printed in U.S. of America



CHASSIS BOTTOM VIEW



1. DC voltage measurements taken with vacuum tube voltmeter.
2. AC volts measured at 1000 ohms per volt.
3. Socket connections are shown as bottom views.
4. Measured values are from socket pin to common negative.
5. Line voltage maintained at 117 volts for voltage readings.
6. Nominal tolerance of component values is as far as possible a minimum tolerance of 5% voltage and resistor readings.
7. All controls at minimum, proper output load connected.

SEE PARTS LIST FOR ALTERNATE VALUE OR APPLICATION

RESISTANCE READINGS

ITEM	TUBE	Pin 1	Pin 2	Pin 3	Pin 4	Pin 5	Pin 6	Pin 7	Pin 8	Pin 9
V1	6AB4	1157K	TP	.10	.10	1157K	150K	12000	43K	.10
V2	12AV7	1450K	470K	7500	.10	153K	1450K	43K	3.30	
V3	6550	TP	.10	1460	1130	40K	NC	.10	3.30	
V4	6550	TP	.10	1520	1120	40K	NC	.10	3.30	
V5	5V4G	NC	20K(Min)	NC	130	NC	130	NC	20K(Min)	
V6	5V4G	NC	20K(Min)	NC	120	NC	120	NC	20K(Min)	

† MEASURED FROM PIN 8 OF V6
 NC NO CONNECTION
 TP TIE POINT