

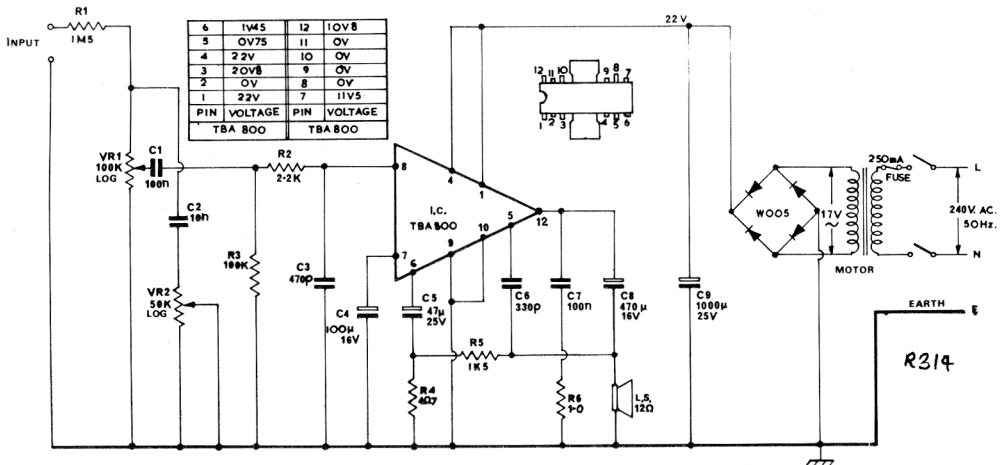
## FIDELITY

## Model HF45

**General Description:** A compact portable mono record player employing a fully automatic multi-speed record changer unit taking up to 6 records and using a crystal cartridge with turnover sapphire styli.

The pickup output is fed to a tone and volume control network and applied to the input terminals of an integrated circuit which contains the amplification circuitry. An audio output of 2W is delivered via a 12Ω p.m. loudspeaker.

Operating voltage for the I.C. is obtained from an overwind on the gramophone motor coil, converted to D.C. by means of a bridge rectifier. The unit operates from a 200-250V 50Hz A.C. mains supply. Power consumption is 35W.



(R314) CIRCUIT DIAGRAM — MODEL HF45