

2 CHANNELS SHOWN

PCB-371 CONTAINS 8 CHANNELS

PCB-372 CONTAINS 10 CHANNELS



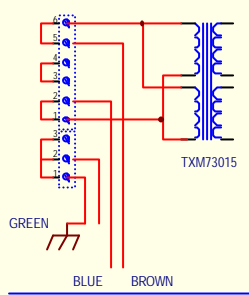
ASHTON ROAD, BREDBURY, STOCKPORT, CHESHIRE, SK6 2SR
 Telephone +44 (0) 161 494 5650 Fax +44 (0) 161 494 5651
 E-mail info@formula-sound.com Internet http://www.formula-sound.com

The copyright in this drawing and the intellectual property contained in the design is owned exclusively by FORMULA SOUND LIMITED
 Copying is forbidden without written consent

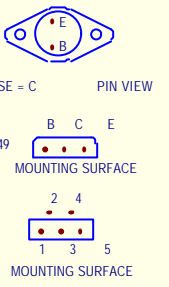
TITLE. QUE 8 / 10 INPUT PCB (PC371 / 2)

Date. 5-Dec-2002	Drg No. 737/A	Issue 2
Sheet 1 of 2	Drawn By. R.A.C.	

WIRING FOR 110 - 120V OPERATION



2N3772

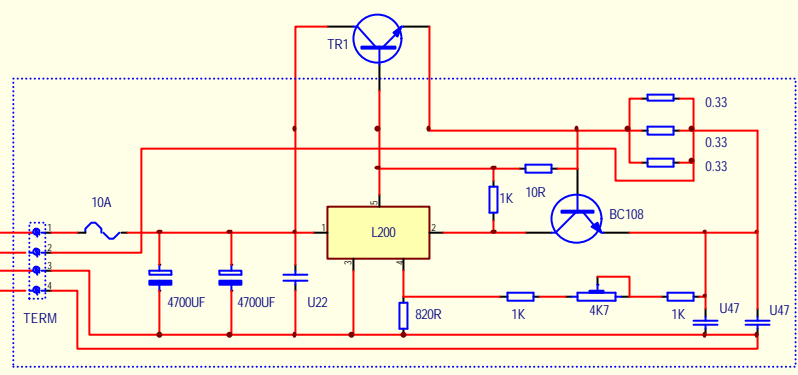
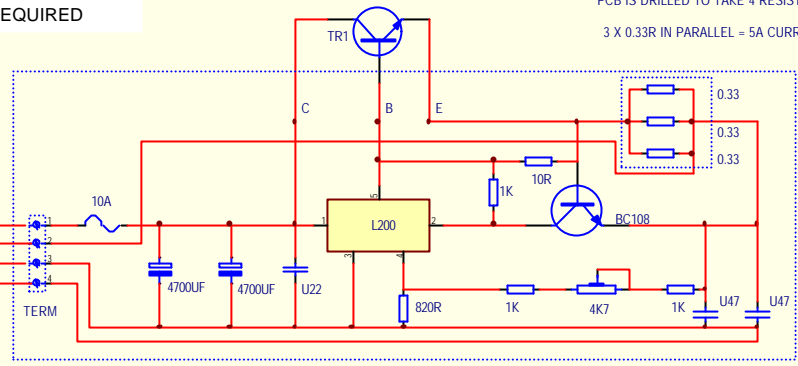
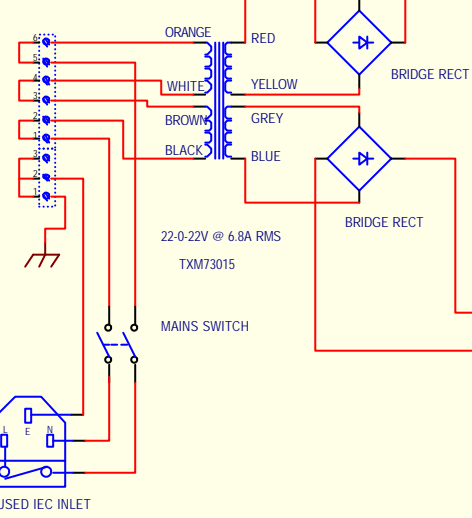


**POWERED DISTRIBUTION UNIT PSD4
IS FULLY COMPATABLE WITH
QUE 8 OR QUE 10 MIXERS AND THESE MAY
BE MIXED IN THE SAME SYSTEM IF REQUIRED**

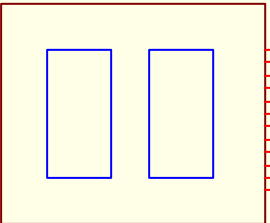
POWER TRANSISTOR MOUNTED ON HEAT SINK
TYPES MAY VARY DEPENDING ON APPLICATION

CURRENT LIMITING RESISTORS
VALUES MAY VARY DEPENDING ON APPLICATION
PCB IS DRILLED TO TAKE 4 RESISTORS IN PARALLEL
3 X 0.33R IN PARALLEL = 5A CURRENT LIMIT PSD4

WIRING FOR 220 - 240V OPERATION

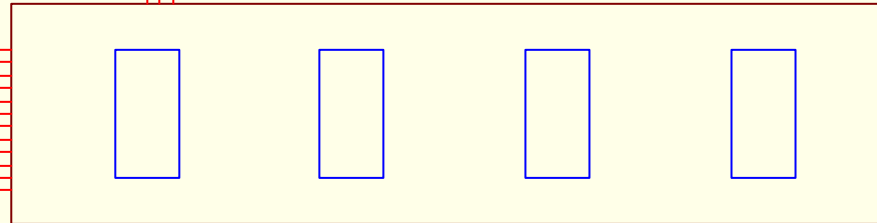


REAR PANEL CONNECTORS
PARALLEL CONNECTION



SIGNAL INPUT AND LINK TO OTHER PSD'S

+/- 18-20V TO FRONT CONNECTORS ONLY



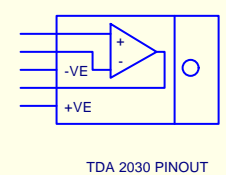
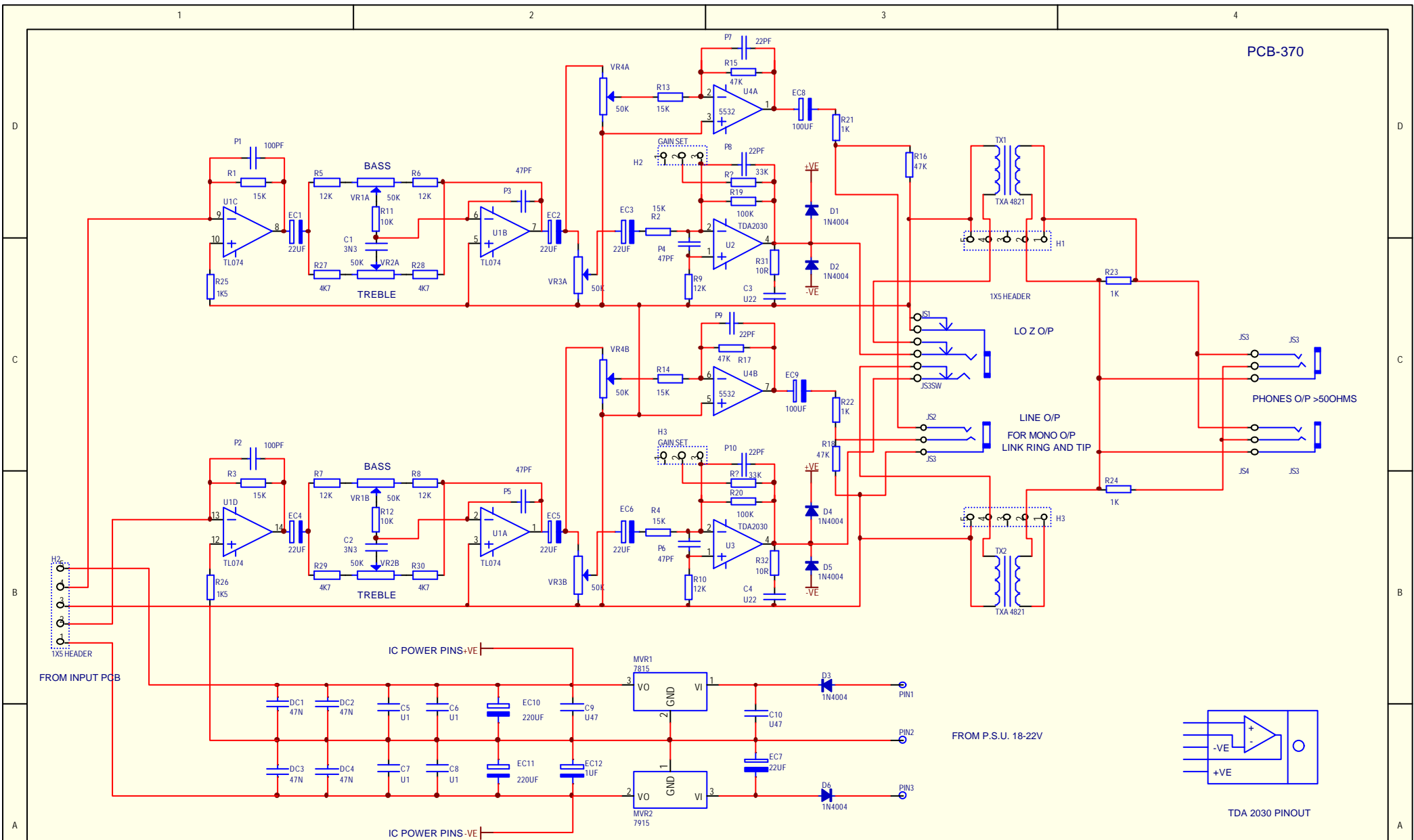
OUTPUTS TO QUE 8 - 10 MIXERS



ASHTON ROAD, BREDBURY, STOCKPORT, CHESHIRE, SK6 2SR
Telephone +44 (0) 161 494 5650 Fax +44 (0) 161 494 5651
E-mail info@formula-sound.com Internet http://www.formula-sound.com

The copyright in this drawing and the intellectual property contained
in the design is owned exclusively by FORMULA SOUND LIMITED
Copying in any form is forbidden without written consent

TITLE PSD 4 POWERED DISTRIBUTION UNIT QUE 8/10			
Date 5-Dec-2002	Drq No. 776	Issue 2	
Sheet 1	of 1	Drawn By R.A.C.	



ASHTON ROAD, BREDBURY, STOCKPORT, CHESHIRE, SK6 2SR
 Telephone +44 (0) 161 494 5650 Fax +44 (0) 161 494 5651
 E-mail info@formula-sound.com Internet http://www.formula-sound.com

The copyright in this drawing and the intellectual property contained in the design is owned exclusively by FORMULA SOUND LIMITED
 Copying is forbidden without written consent

TITLE. QUE 8 / 10 OUTPUT PCB WITH LINE OUT			
Date. 5-Dec-2002	Drg No. 738	Issue 2	
Sheet 2	of 2	Drawn By. R.A.C.	