

D

C

B

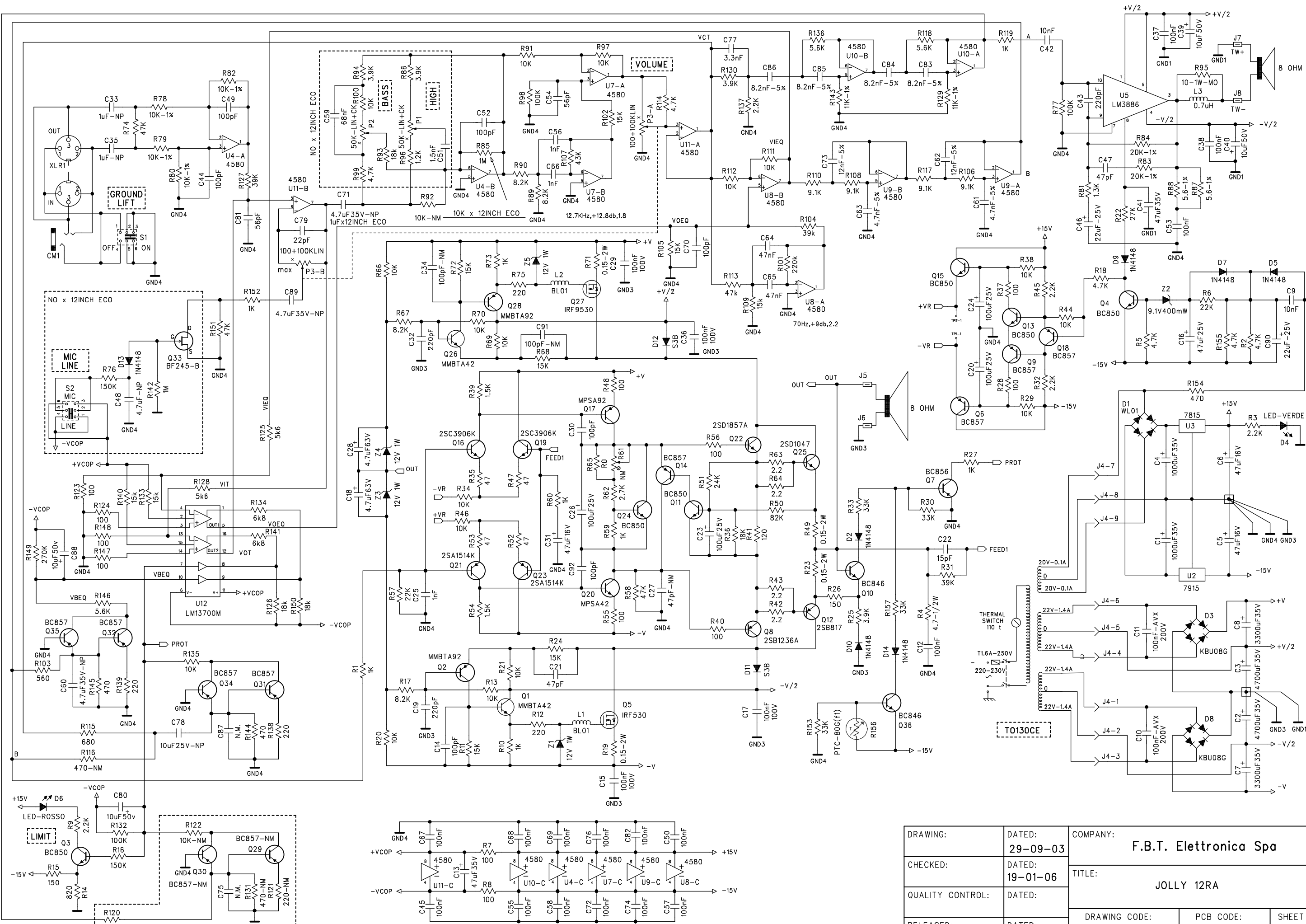
A

D

C

B

A



DRAWING:	DATED:	COMPANY:		
CHECKED:	DATED:	F.B.T. Elettronica Spa		
QUALITY CONTROL:	DATED:	TITLE:		
RELEASED:	DATED:	JOLLY 12RA		
		DRAWING CODE:	PCB CODE:	SHEET
		S018740000-01	19235-01	1 OF 1