

	20-03-00	F.B.T. Electronica Spa	
	26-09-00		
	07-05-02		
		TITLE: MAX9SA (preamp)	PCB Name: 13286-00
		CODE:	DRAWING NO:297-03

A

B

C

D

A

B

C

D

6

5

4

3

2

1

D

D

C

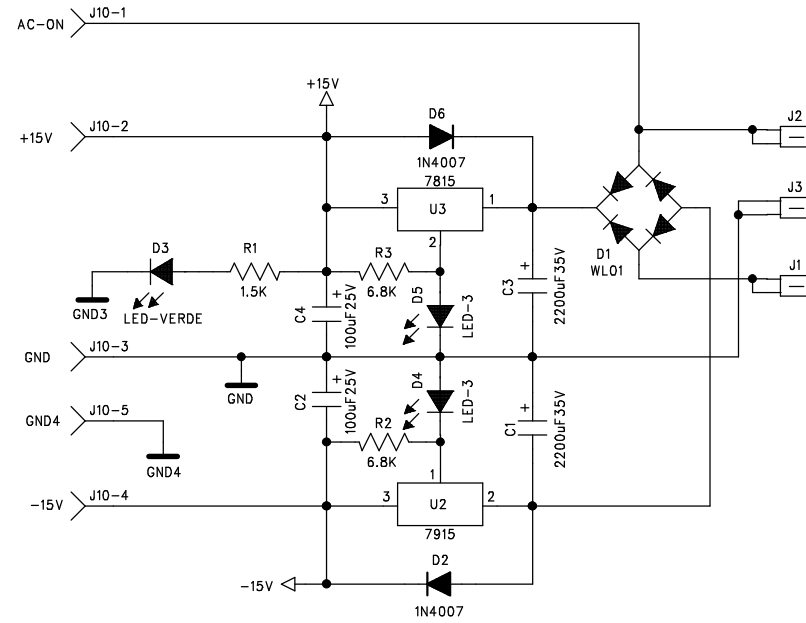
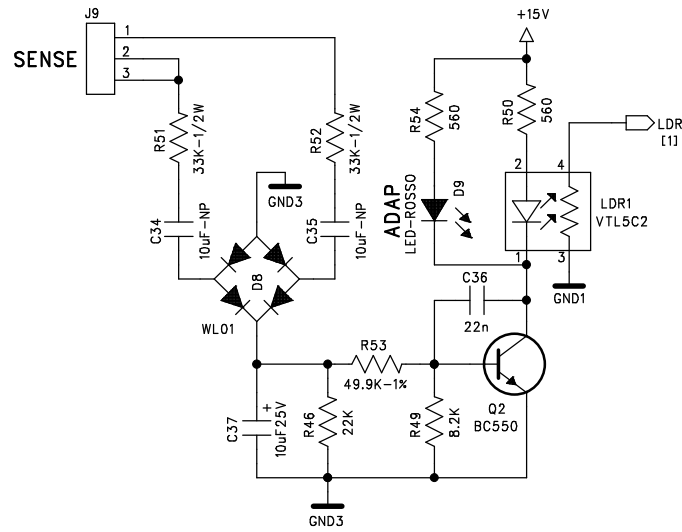
C

B

B

A

A



	20-03-00	COMPANY:	
	26-09-00	F.B.T. Electronica Spa	
	07-05-02	TITLE:	PCB Name:
		MAXX9SA (preamp)	13286-00
		SENSE POWER	SHEET 2 of 2
		CODE:	DRAWING NO:297-03

6

5

4

3

2

1

D

D

C

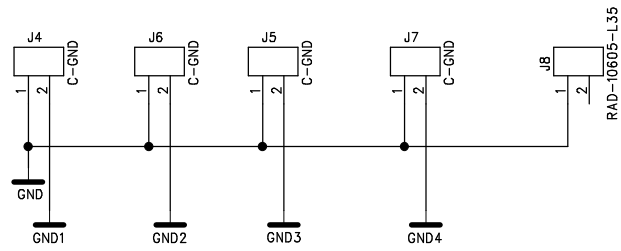
C

B

B

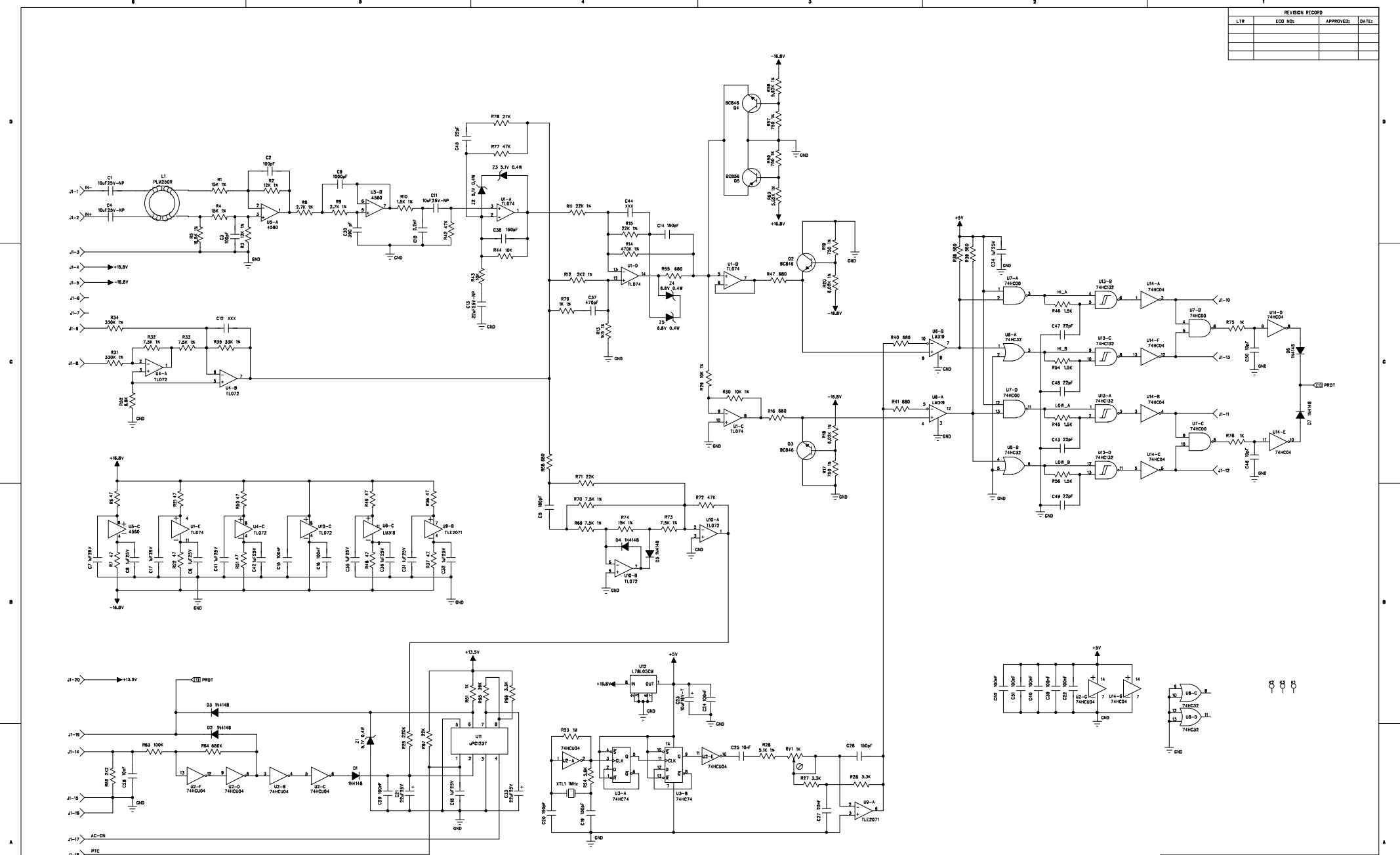
A

A



		COMPANY:	
		F.B.T. Electronica Spa	
		TITLE:	PCB Name:
			SHEET
		CODE:	DRAWING NO:

REVISION RECORD			
LTR	ECD NO:	APPROVED:	DATE:



COMPANY:		FBT Elettronica S.p.a.		
TITLE:		MaxX 9Sa/MaxX10Sa Pre-amplifier-Power Unit		
DRAWING:	DATE:	PCB NAME:	SIZE:	DRAWING:
	18/09/00	13141-01		297-03/296-03
CHECKED:	DATE:	RELEASED:	DATE:	SCALE:
SHEET: 1 OF 2				REV:

