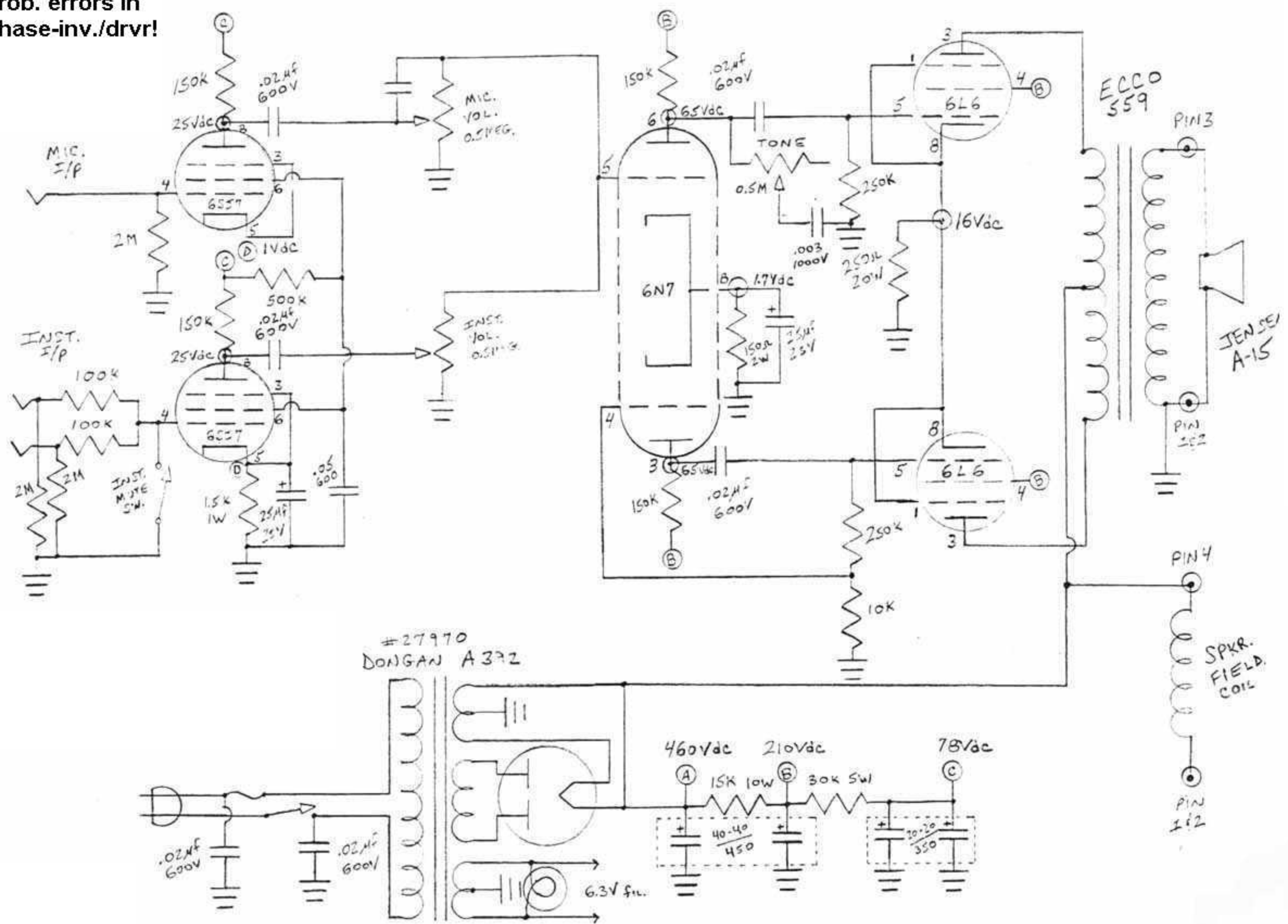


prob. errors in phase-inv./drvvr!



SCHEMATIC BY: JEFF BOBER - PRECISION AUDIO TAILORING