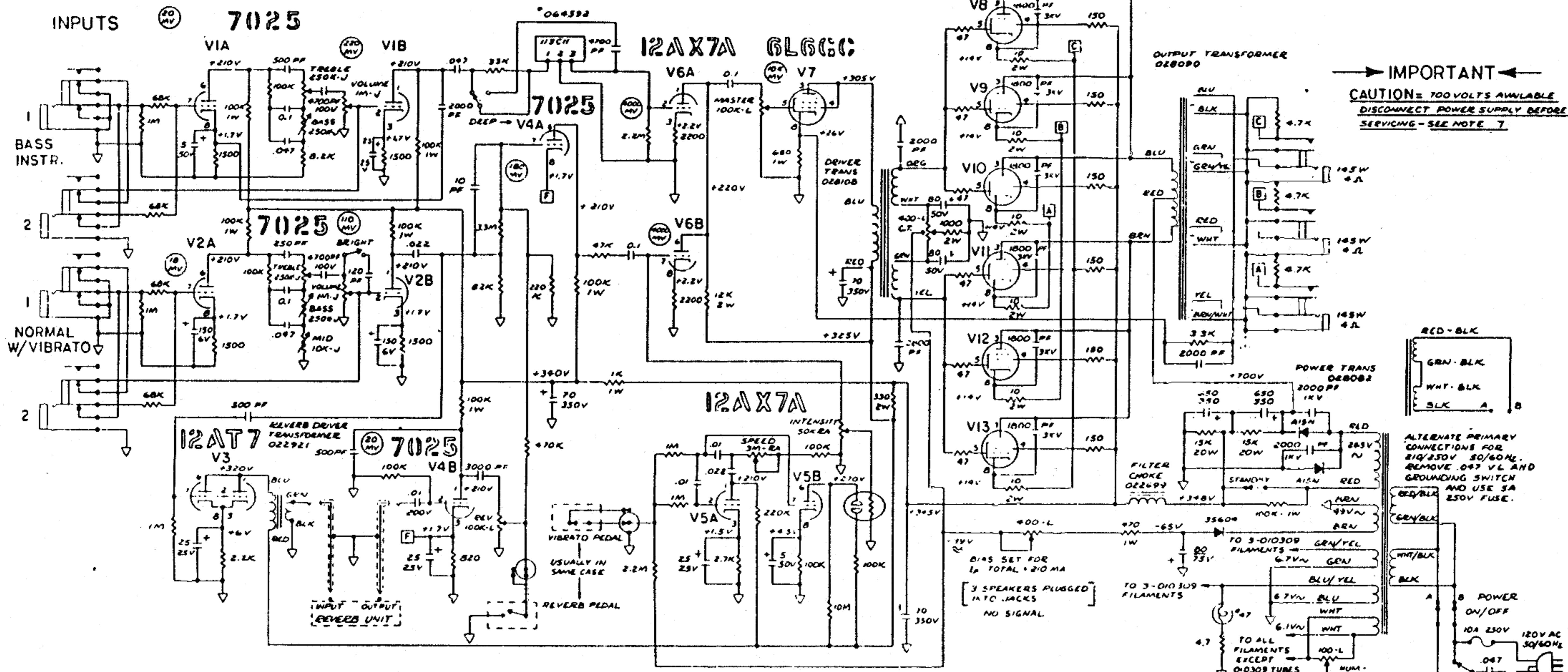


010309 (3)



IMPORTANT
 CAUTION - 700 VOLTS AVAILABLE
 DISCONNECT POWER SUPPLY BEFORE
 SERVICING - SEE NOTE 7

THE 010309 TUBES ARE SPECIAL
 DESIGN AND SELECTED TUNGSOIL
 6550 TUBES

7. BEFORE ATTEMPTING ANY SERVICING INSIDE CHASSIS BE SURE TO ALLOW AT LEAST 45 SECONDS AFTER POWER IS DISCONNECTED, FOR BLEEDERS TO REDUCE VOLTAGE, THEN TO BE MORE CERTAIN DISCHARGE EACH 650 MF CAPACITOR.
 8. (MV) DENOTES MV AT 500HZ FOR 445 WATTS OUTPUT (CONTROLS MAX).
 9. B+ AT 445 WATTS OUTPUT IS 350 VOLTS AND 320 VOLTS RESPECTIVELY.
 10. ALL CAPACITORS ARE IN MICROFARADS. 600V MIN.
 11. DC VOLTAGES READ TO CHASSIS WITH NO SPEAKERS CONNECTED (VIBRATO ON).
 12. ALL RESISTORS IN OHMS, 10%, 1/2 WATT, ALLEN BRADLEY.
 13. SAMPLES OF FIRST ARTICLE PARTS MUST BE APPROVED BY CBS ENGINEERING BEFORE STARTING PRODUCTION.
- NOTES UNLESS OTHERWISE SPECIFIED

-400 PS-