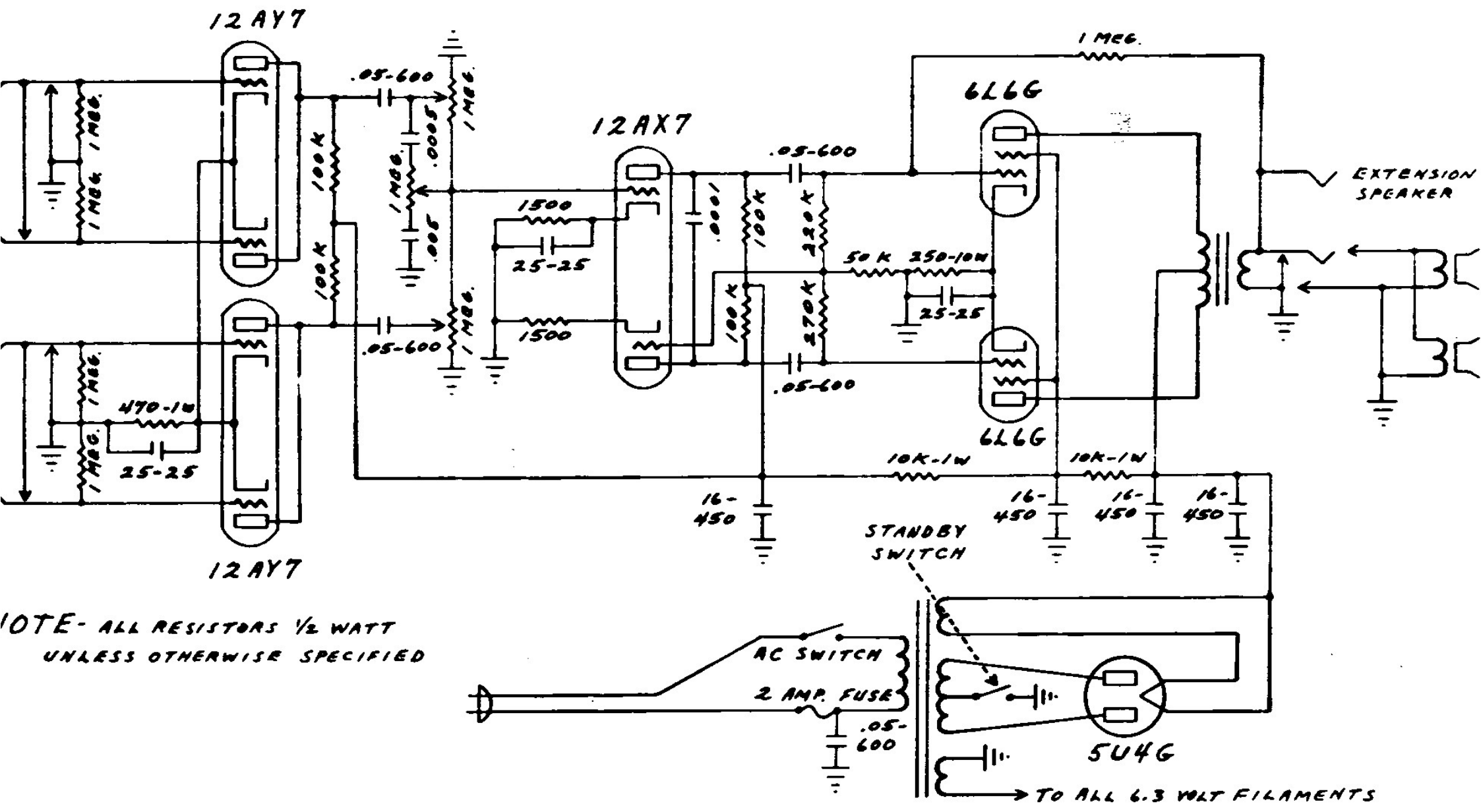


FENDER "SUPER-AMP" SCHEMATIC

MODEL 5D4

I-ED



NOTE- ALL RESISTORS 1/2 WATT
UNLESS OTHERWISE SPECIFIED

TO ALL 6.3 VOLT FILAMENTS