

FENDER "TREMOLUX" SCHEMATIC

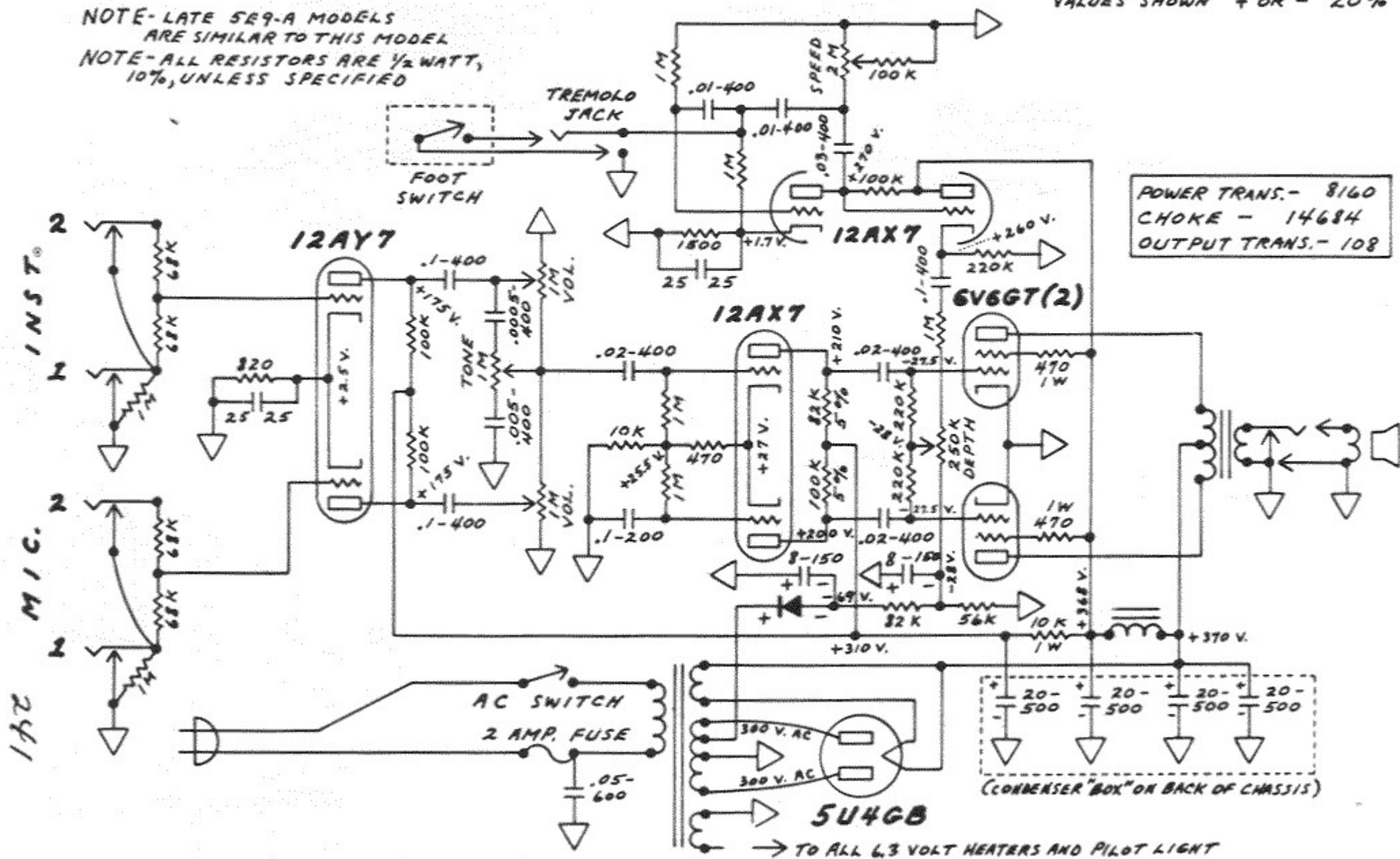
MODEL 5G9

NOTICE

VOLTAGES READ TO GROUND
WITH ELECTRONIC VOLTMETER
VALUES SHOWN + OR - 20%

NOTE - LATE 5G9-A MODELS
ARE SIMILAR TO THIS MODEL
NOTE - ALL RESISTORS ARE 1/2 WATT,
10%, UNLESS SPECIFIED

B-E1



POWER TRANS. - 8160
CHOKE - 14684
OUTPUT TRANS. - 108

(CONDENSER "BOX" ON BACK OF CHASSIS)

→ TO ALL 6.3 VOLT HEATERS AND PILOT LIGHT