


REVISIONS			
REV.	DESCRIPTION	DATE	APPROVED
A	PR328	26-OCT-98	RMP

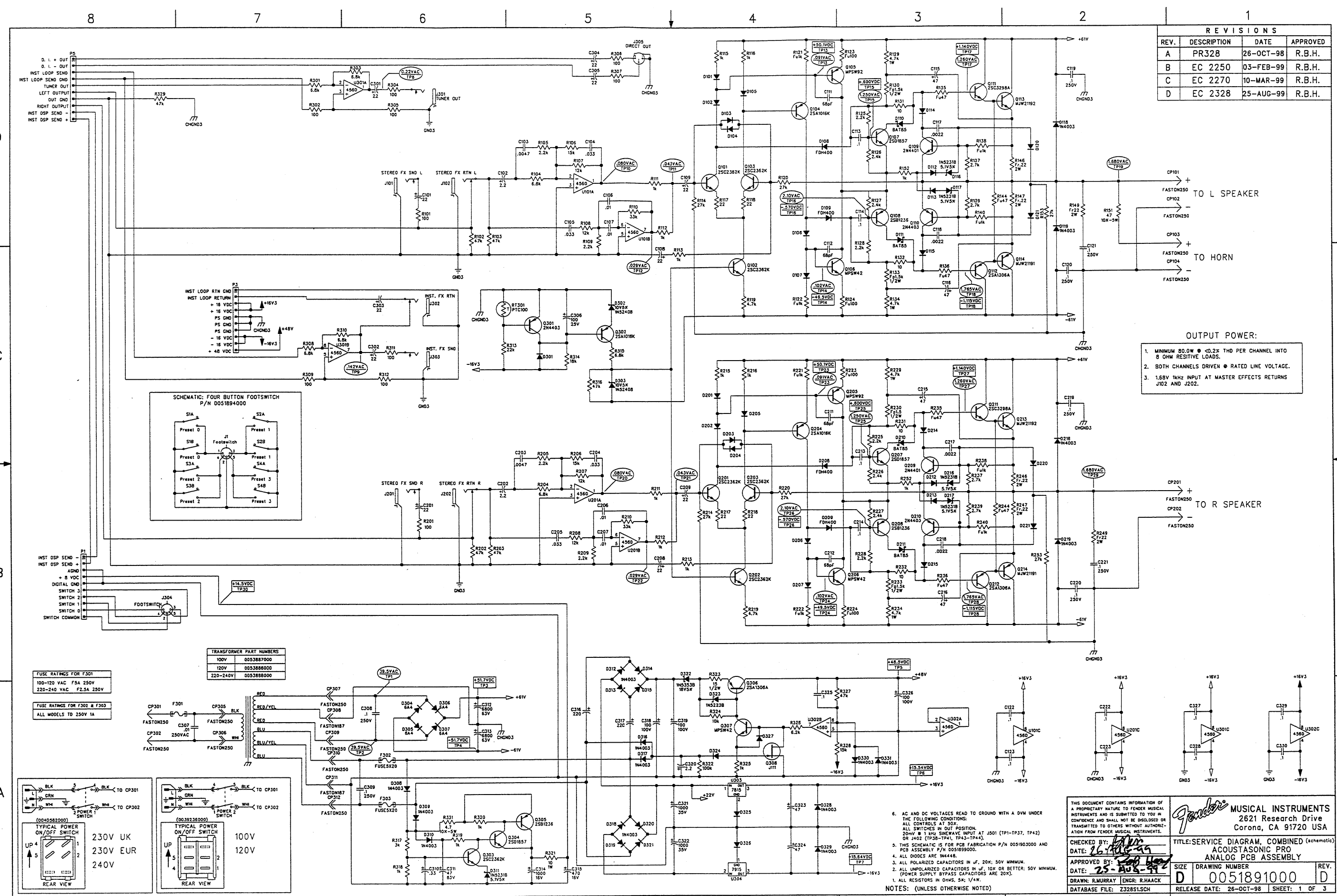
1. SEE SHEET 1 NOTES FOR:
 1) TEST CONDITIONS
 2) TEST POINT VALUES.
 3) LIST OF COMPONENTS STUFFED.

NOTES: (UNLESS OTHERWISE NOTED)

FILM/DWG: SERVICE DIAGRAM
 DATABASE: Z328P2.PCB DATE: 26-OCT-98

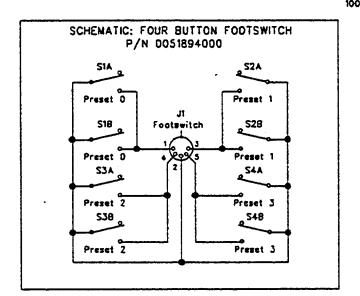
THIS DOCUMENT CONTAINS INFORMATION OF A PROPRIETARY NATURE TO FENDER MUSICAL INSTRUMENTS AND IS SUBMITTED TO YOU IN CONFIDENCE AND SHALL NOT BE DISCLOSED OR TRANSMITTED TO OTHERS WITHOUT AUTHORIZATION FROM FENDER MUSICAL INSTRUMENTS.		 MUSICAL INSTRUMENTS 2621 Research Drive Corona, CA 91720 USA	
CHECKED BY: <u>B. Davis</u> DATE: <u>23-OCT-98</u>		TITLE: SERVICE DIAGRAM, COMBINED (PCB assy) ACOUSTASONIC PRO DSP	
APPROVED BY: <u>R. Povinmire</u> DATE: <u>23-OCT-98</u>		SIZE B	DRAWING NUMBER 0051890000
DRAWN: R. Povinmire ENGR: R. Povinmire		RELEASE DATE: 26-OCT-98	REV. A
DATABASE FILE: Z328P2.PCB		SHEET 3 OF 3	

REVISIONS			
REV.	DESCRIPTION	DATE	APPROVED
A	PR328	26-OCT-98	R.B.H.
B	EC 2250	03-FEB-99	R.B.H.
C	EC 2270	10-MAR-99	R.B.H.
D	EC 2328	25-AUG-99	R.B.H.



OUTPUT POWER:

1. MINIMUM 80.0W @ $\pm 0.2\%$ THD PER CHANNEL INTO 8 OHM RESISTIVE LOADS.
2. BOTH CHANNELS DRIVEN @ RATED LINE VOLTAGE.
3. 1.68V 1kHz INPUT AT MASTER EFFECTS RETURNS J102 AND J202.

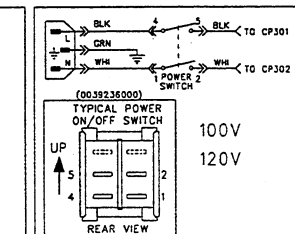
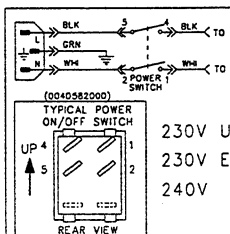


FUSE RATINGS FOR F301

100-120 VAC F5A 250V
220-240 VAC F2.5A 250V

TRANSFORMER PART NUMBERS

100V 0053887000
120V 0053888000
220-240V 0053888000



6. AC AND DC VOLTAGES READ TO GROUND WITH A DVM UNDER THE FOLLOWING CONDITIONS:
ALL SWITCHES IN OFF POSITION.
20mV @ 1 kHz SINEWAVE INPUT AT J501 (TP1-TP3, TP42) OR J402 (TP38-TP41, TP43-TP44).

7. THIS SCHEMATIC IS FOR PCB FABRICATION P/N 0051903000 AND PCB ASSEMBLY P/N 0051899000.

8. ALL DIODES ARE 1N4448.

9. ALL POLARIZED CAPACITORS IN μ F, 20K; 50V MINIMUM.

10. ALL UNPOLARIZED CAPACITORS IN μ F, 10K OR BETTER; 50V MINIMUM. (POWER SUPPLY BYPASS CAPACITORS ARE 20K).

11. ALL RESISTORS IN OHMS, Ω ; 1/4W.

NOTES: (UNLESS OTHERWISE NOTED)

THIS DOCUMENT CONTAINS INFORMATION OF A PROPRIETARY NATURE TO FENDER MUSICAL INSTRUMENTS AND IS SUBMITTED TO YOU IN CONFIDENCE AND SHALL NOT BE DISCLOSED OR TRANSMITTED TO OTHERS WITHOUT AUTHORIZATION FROM FENDER MUSICAL INSTRUMENTS.

Fender MUSICAL INSTRUMENTS
2621 Research Drive
Corona, CA 91720 USA

CHECKED BY: *[Signature]*
DATE: 26-10-98

APPROVED BY: *[Signature]*
DATE: 25-AUG-99

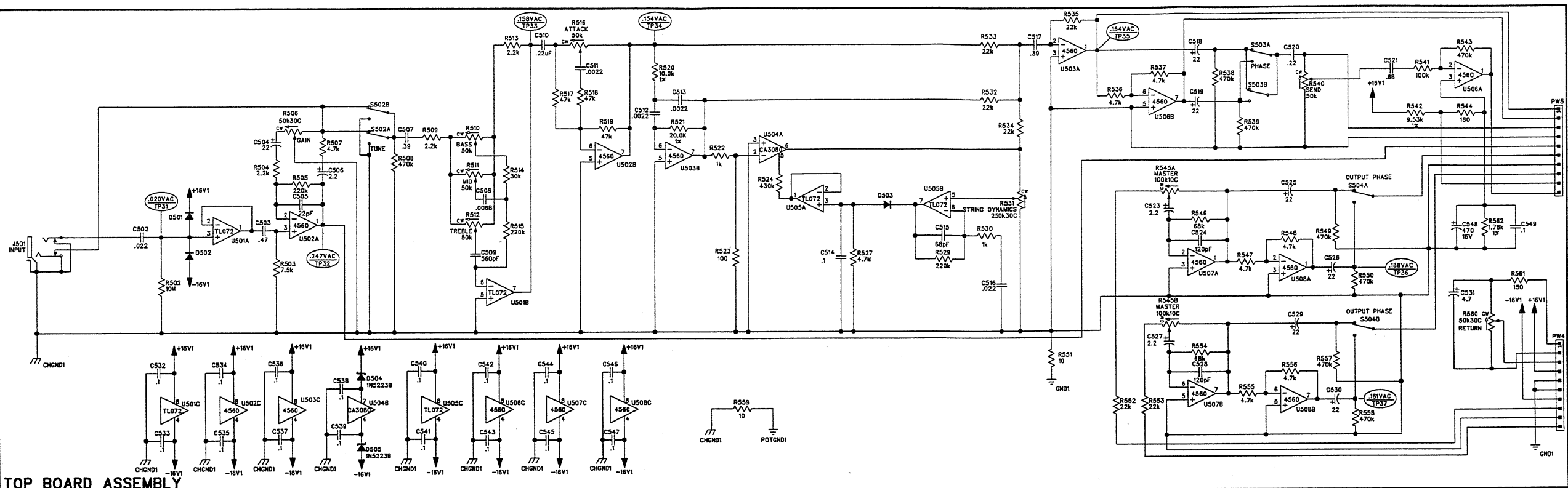
DRAWN: R.MURRAY ENGR: R.HAAK
DATABASE FILE: Z3285LSCH

TITLE: SERVICE DIAGRAM, COMBINED (schematic)
ACOUSTASONIC PRO
ANALOG PCB ASSEMBLY

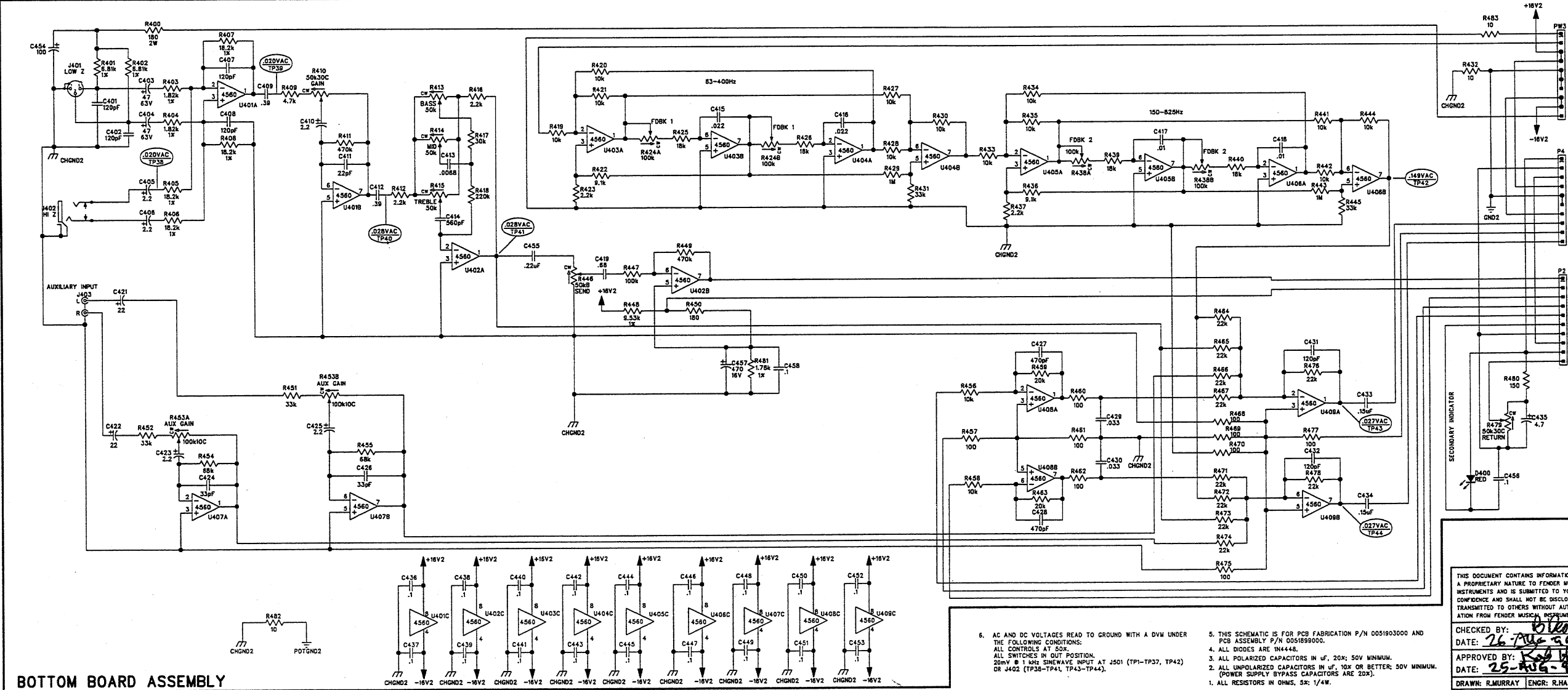
SIZE: D
DRAWING NUMBER: 0051891000
REV. D

RELEASE DATE: 26-OCT-98
SHEET: 1 OF 3

REVISIONS			
REV.	DESCRIPTION	DATE	APPROVED
A	PR328	26-OCT-98	R.B.H.
B	EC 2250	03-FEB-99	R.B.H.
C	EC 2270	10-MAR-99	R.B.H.
D	EC 2328	25-AUG-99	R.B.H.



TOP BOARD ASSEMBLY



BOTTOM BOARD ASSEMBLY

- D. L. + OUT
- D. L. - OUT
- INST LOOP SEND
- INST LOOP SEND GND
- TUNER OUT
- LEFT OUTPUT
- OUT GND
- RIGHT OUTPUT
- INST DSP SEND +
- INST DSP SEND -

- + 5 VDC (ADC)
- GND (ADC)
- INST FX RTN (ADC)
- + 16 VDC
- PS GND
- PS GND
- 16 VDC
- TO LEFT LEVEL CONTROL
- LEVEL CONTROL GND
- TO RIGHT LEVEL CONTROL

- INST LOOP RTN GND
- INST LOOP RETURN
- + 16 VDC
- + 16 VDC
- PS GND
- PS GND
- 16 VDC
- 16 VDC
- + 48 VDC

THIS DOCUMENT CONTAINS INFORMATION OF A PROPRIETARY NATURE TO FENDER MUSICAL INSTRUMENTS AND IS SUBMITTED TO YOU IN CONFIDENCE AND SHALL NOT BE DISCLOSED OR TRANSMITTED TO OTHERS WITHOUT AUTHORIZATION FROM FENDER MUSICAL INSTRUMENTS.		Fender MUSICAL INSTRUMENTS 2621 Research Drive Corona, CA 91720 USA	
CHECKED BY: <i>Oliver</i>	TITLE: SERVICE DIAGRAM, COMBINED (schematic)		
DATE: <i>26-Aug-99</i>	ACOUSTASONIC PRO ANALOG PCB ASSEMBLY		
APPROVED BY: <i>Rob Wood</i>	SIZE	DRAWING NUMBER	REV.
DATE: <i>25-AUG-99</i>	D	0051891000	D
DRAWN: R.MURRAY ENGR: R.HACK	RELEASE DATE: 28-OCT-98	SHEET: 2 OF 3	
DATABASE FILE: Z328SLSCH			

6. AC AND DC VOLTAGES READ TO GROUND WITH A DVM UNDER THE FOLLOWING CONDITIONS:
 ALL CONTROLS AT 50%.
 ALL SWITCHES IN OUT POSITION.
 20mV @ 1 kHz SINEWAVE INPUT AT J501 (TP1-TP3, TP42) OR J402 (TP35-TP41, TP43-TP44).

5. THIS SCHEMATIC IS FOR PCB FABRICATION P/N 0051903000 AND PCB ASSEMBLY P/N 0051899000.
 4. ALL DIODES ARE 1N4148.
 3. ALL POLARIZED CAPACITORS IN uF; 20% 50V MINIMUM.
 2. ALL UNPOLARIZED CAPACITORS IN uF; 10% OR BETTER; 50V MINIMUM. (POWER SUPPLY BYPASS CAPACITORS ARE 20%).
 1. ALL RESISTORS IN OHMS, 5% 1/4W.

NOTES: (UNLESS OTHERWISE NOTED)

8

7

6

5

4

3

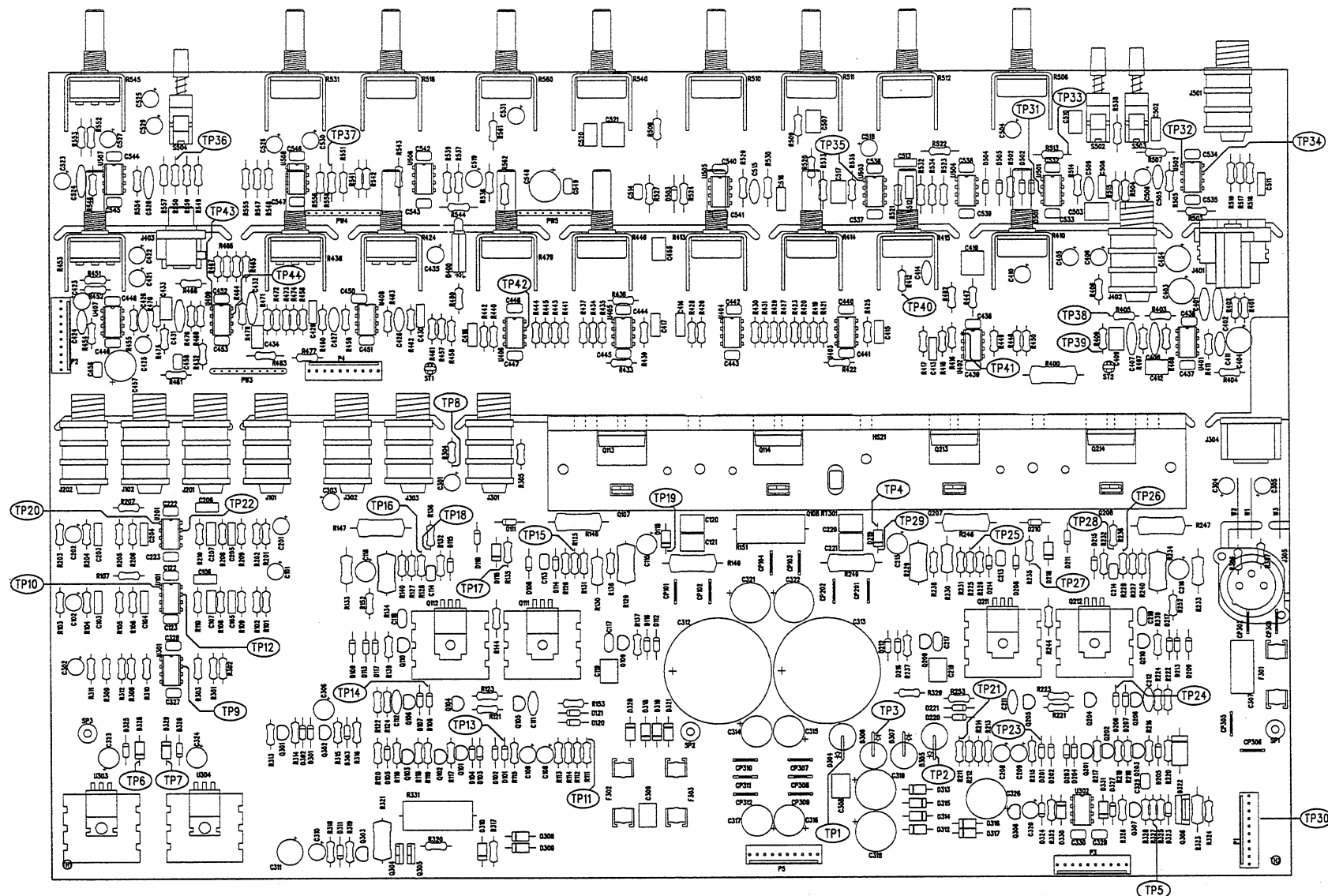
2

1

REVISIONS			
REV.	DESCRIPTION	DATE	APPROVED
A	PR328	26-OCT-98	R.B.H.
B	EC 2250	03-FEB-99	R.B.H.
C	EC 2270	10-MAR-99	R.B.H.
D	EC 2328	25-AUG-99	R.B.H.

D

D



C

C

B

B

A

A

FILM/DWG: SERVICE DIAGRAM
 DATABASE: Z328PLPCB DATE: 25-AUG-99

1. SEE SHEETS 1 & 2 FOR PRIMARY WIRING, TEST CONDITIONS AND TEST POINT VALUES.
 NOTES: (UNLESS OTHERWISE NOTED)

<small>THIS DOCUMENT CONTAINS INFORMATION OF A PROPRIETARY NATURE TO FENDER MUSICAL INSTRUMENTS AND IS SUBMITTED TO YOU IN CONFIDENCE AND SHALL NOT BE DISCLOSED OR TRANSMITTED TO OTHERS WITHOUT AUTHORIZATION FROM FENDER MUSICAL INSTRUMENTS.</small>			
CHECKED BY: <i>[Signature]</i> DATE: <i>16-08-99</i>		MUSICAL INSTRUMENTS 2621 Research Drive Corona, CA 91720 USA	
APPROVED BY: <i>[Signature]</i> DATE: <i>25-AUG-99</i>		TITLE: SERVICE DIAGRAM, COMBINED (PCB assy) ACOUSTASONIC PRO ANALOG PCB ASSEMBLY	
DRAWN: R.MURRAY DATABASE FILE: Z328PLPCB	R.RAACK RELEASE DATE: 26-OCT-98	SIZE: D DRAWING NUMBER: 0051891000	REV.: D SHEET 3 OF 3

8

7

6

5

4

3

2

1