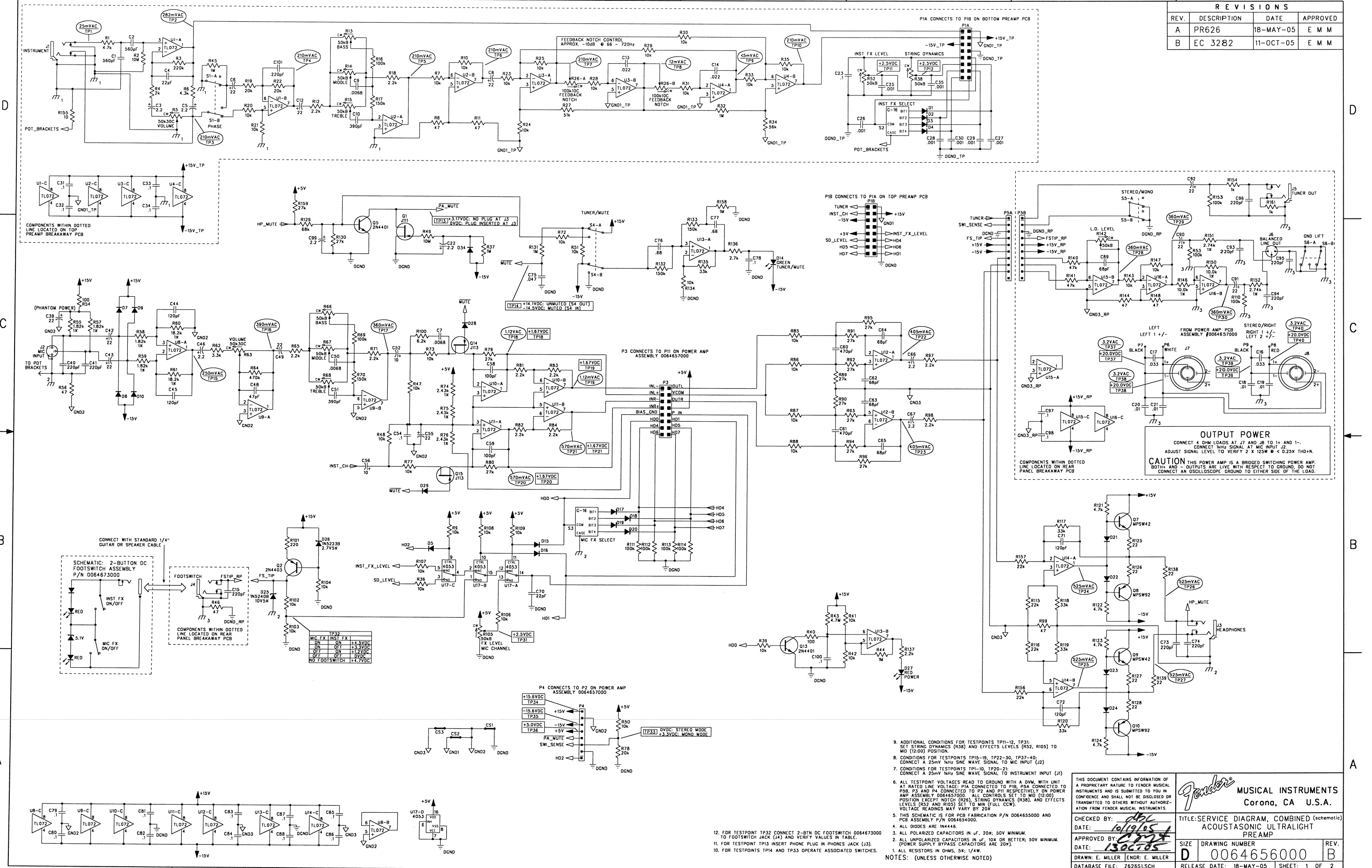


REVISIONS			
REV.	DESCRIPTION	DATE	APPROVED
A	PR626	18-MAY-05	E M M
B	EC 3282	11-OCT-05	E M M



OUTPUT POWER
 CONNECT 4 OHM LOADS AT J7 AND J8 TO 1+ AND 1-.
 CONNECT 1kHz SIGNAL AT MIC INPUT J2.
 ADJUST SIGNAL LEVEL TO VERIFY 2 x 125W @ < 0.25x THD+N.
CAUTION THIS POWER AMP IS A BRIDGED SWITCHING POWER AMP. BOTH + AND - OUTPUTS ARE LIVE WITH RESPECT TO GROUND. DO NOT CONNECT AN OSCILLOSCOPE GROUND TO EITHER SIDE OF THE LOAD.

THIS DOCUMENT CONTAINS INFORMATION OF A PROPRIETARY NATURE TO FENDER MUSICAL INSTRUMENTS AND IS SUBMITTED TO YOU IN CONFIDENCE AND SHALL NOT BE DISCLOSED OR TRANSMITTED TO OTHERS WITHOUT AUTHORIZATION FROM FENDER MUSICAL INSTRUMENTS.

Fender MUSICAL INSTRUMENTS
 Corona, CA U.S.A.

CHECKED BY: *ABL*
 DATE: 10/19/05
 APPROVED BY: *[Signature]*
 DATE: 12/07/05
 DRAWN: E. MILLER ENGR: E. MILLER
 DATABASE FILE: Z62651.SCH

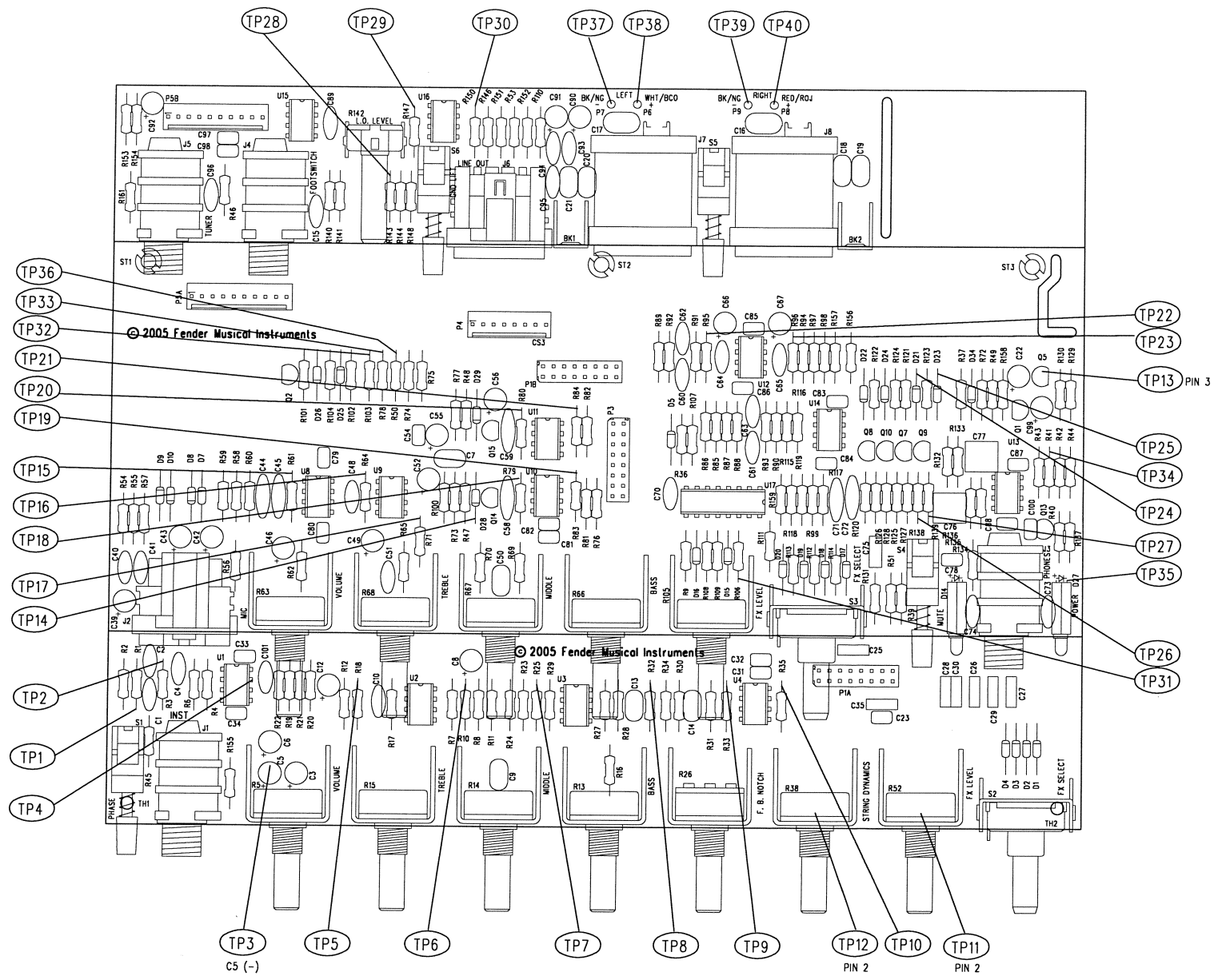
TITLE: SERVICE DIAGRAM, COMBINED (schematic)
 ACOUSTASONIC ULTRALIGHT
 PREAMP

SIZE: D DRAWING NUMBER: 0064656000
 REV. B
 RELEASE DATE: 18-MAY-05 SHEET: 1 OF 2

- ADDITIONAL CONDITIONS FOR TESTPOINTS TP11-12, TP31: SET STRING DYNAMICS (R38) AND EFFECTS LEVELS (R52, R105) TO MID (12:00) POSITION.
- CONDITIONS FOR TESTPOINTS TP15-19, TP22-30, TP37-40: CONNECT A 25mV 1kHz SINE WAVE SIGNAL TO MIC INPUT (J2)
- CONDITIONS FOR TESTPOINTS TP1-10, TP20-21: CONNECT A 25mV 1kHz SINE WAVE SIGNAL TO INSTRUMENT INPUT (J1)
- ALL TESTPOINT VOLTAGES READ TO GROUND WITH A DVM, WITH UNIT AT RATED LINE VOLTAGE; PIA CONNECTED TO P1B, P5A CONNECTED TO P5B, P3 AND P4 CONNECTED TO P2 AND P11 RESPECTIVELY ON POWER AMP ASSEMBLY 0064657000. ALL CONTROLS SET TO MID (12:00) POSITION EXCEPT NOTCH (R26), STRING DYNAMICS (R38), AND EFFECTS LEVELS (R52 AND R105) SET TO MIN (FULL CCW).
- THIS SCHEMATIC IS FOR PCB FABRICATION P/N 0064655000 AND PCB ASSEMBLY P/N 0064654000.
- ALL DIODES ARE 1N4448.
- ALL POLARIZED CAPACITORS IN μ F, 20K; 50V MINIMUM.
- ALL UNPOLARIZED CAPACITORS IN μ F, 10K OR BETTER; 50V MINIMUM. (POWER SUPPLY BYPASS CAPACITORS ARE 20K).
- ALL RESISTORS IN OHMS, 5K; 1/4W.

8 7 6 5 4 3 2 1

REVISIONS			
REV.	DESCRIPTION	DATE	APPROVED
A	PR 626	18-MAY-05	E M M
B	EC 3282	11-OCT-05	E M M



FILM/DWG: SERVICE DIAGRAM
 DATABASE: Z626P1.PCB DATE: 11-OCT-05

1. SEE SHEET 1 FOR TEST CONDITIONS AND TP VALUES.
 NOTES: (UNLESS OTHERWISE NOTED)

THIS DOCUMENT CONTAINS INFORMATION OF A PROPRIETARY NATURE TO FENDER MUSICAL INSTRUMENTS AND IS SUBMITTED TO YOU IN CONFIDENCE AND SHALL NOT BE DISCLOSED OR TRANSMITTED TO OTHERS WITHOUT AUTHORIZATION FROM FENDER MUSICAL INSTRUMENTS.		MUSICAL INSTRUMENTS Corona, CA U.S.A.	
CHECKED BY: <i>dlc</i> DATE: <i>10/19/05</i>		TITLE: SERVICE DIAGRAM, COMBINED (PCB assy) ACOUSTASONIC ULTRALIGHT PREAMP	
APPROVED BY: <i>[Signature]</i> DATE: <i>13 OCT 05</i>		SIZE: C	DRAWING NUMBER: 0064656000
DRAWN: E MILLER ENGR: E MILLER		RELEASE DATE: 18-MAY-05	REV. B
DATABASE FILE: Z626P1.PCB		SHEET 2 OF 2	

8 7 6 5 4 3 2 1