

REVISIONS			
REV.	DESCRIPTION	DATE	APPROVED
A	PR626	09-JUN-05	E M M
B	EC 3282	13-OCT-05	E M M
C	ICT-3698	29-AUG-06	H B K

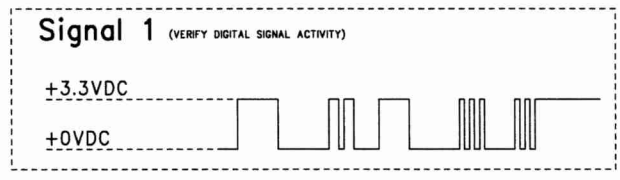
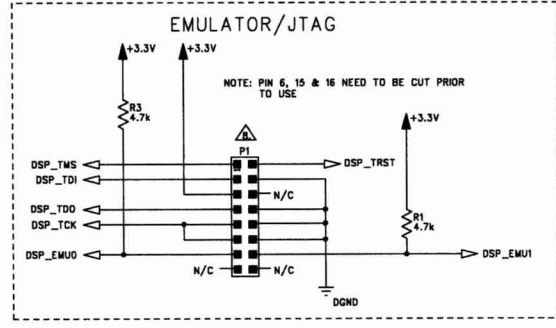
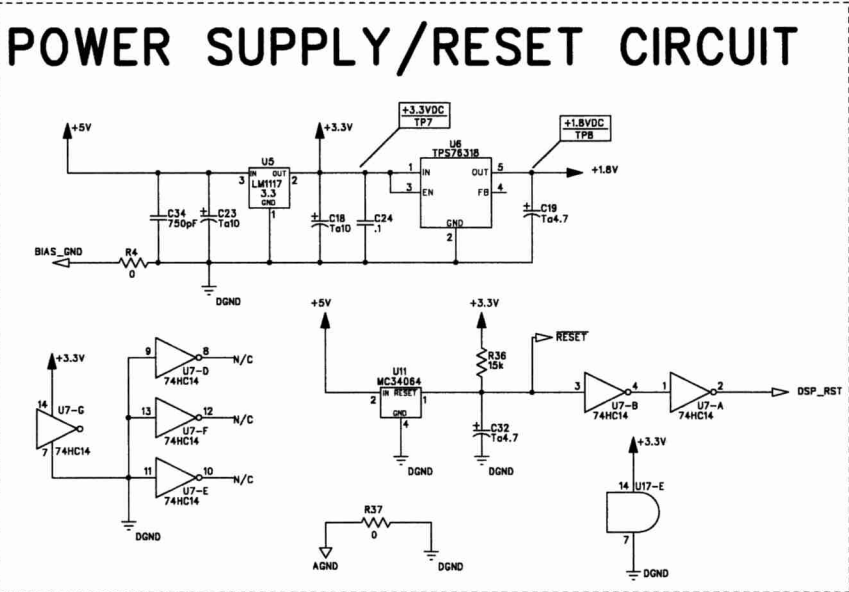
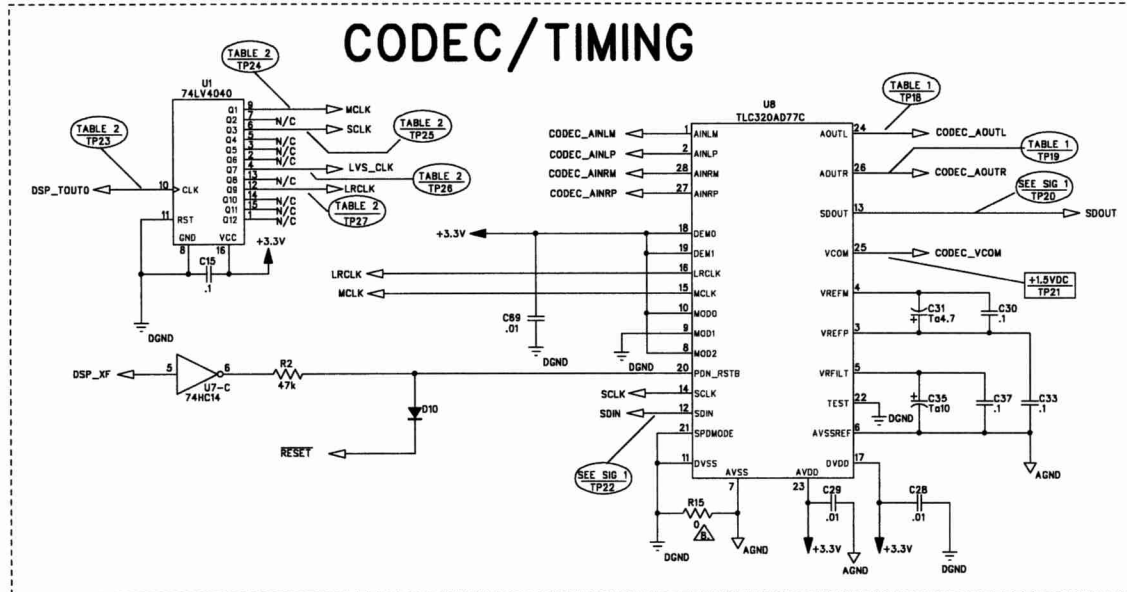
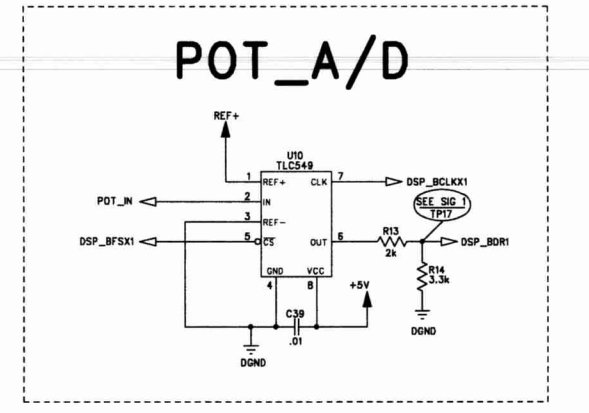
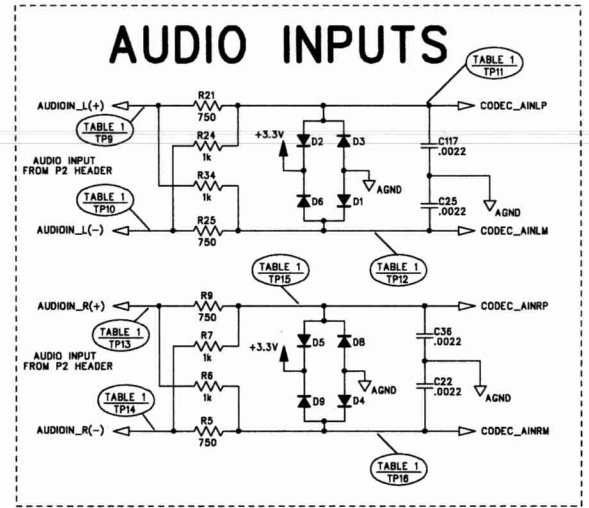
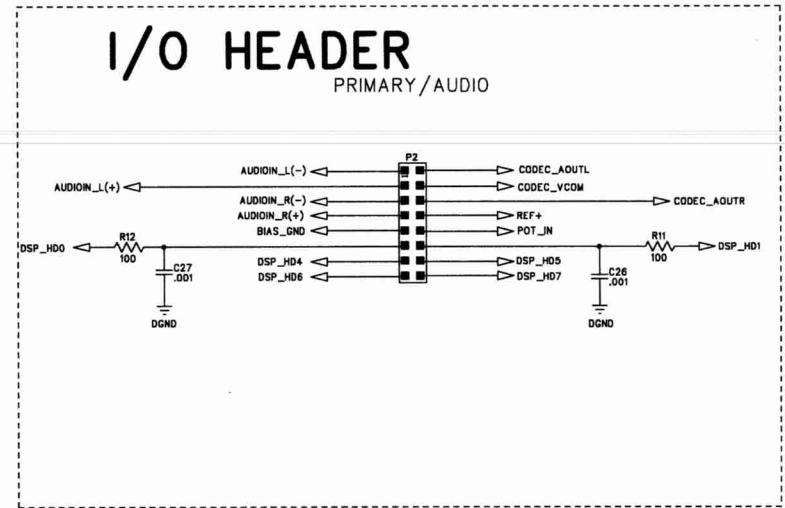
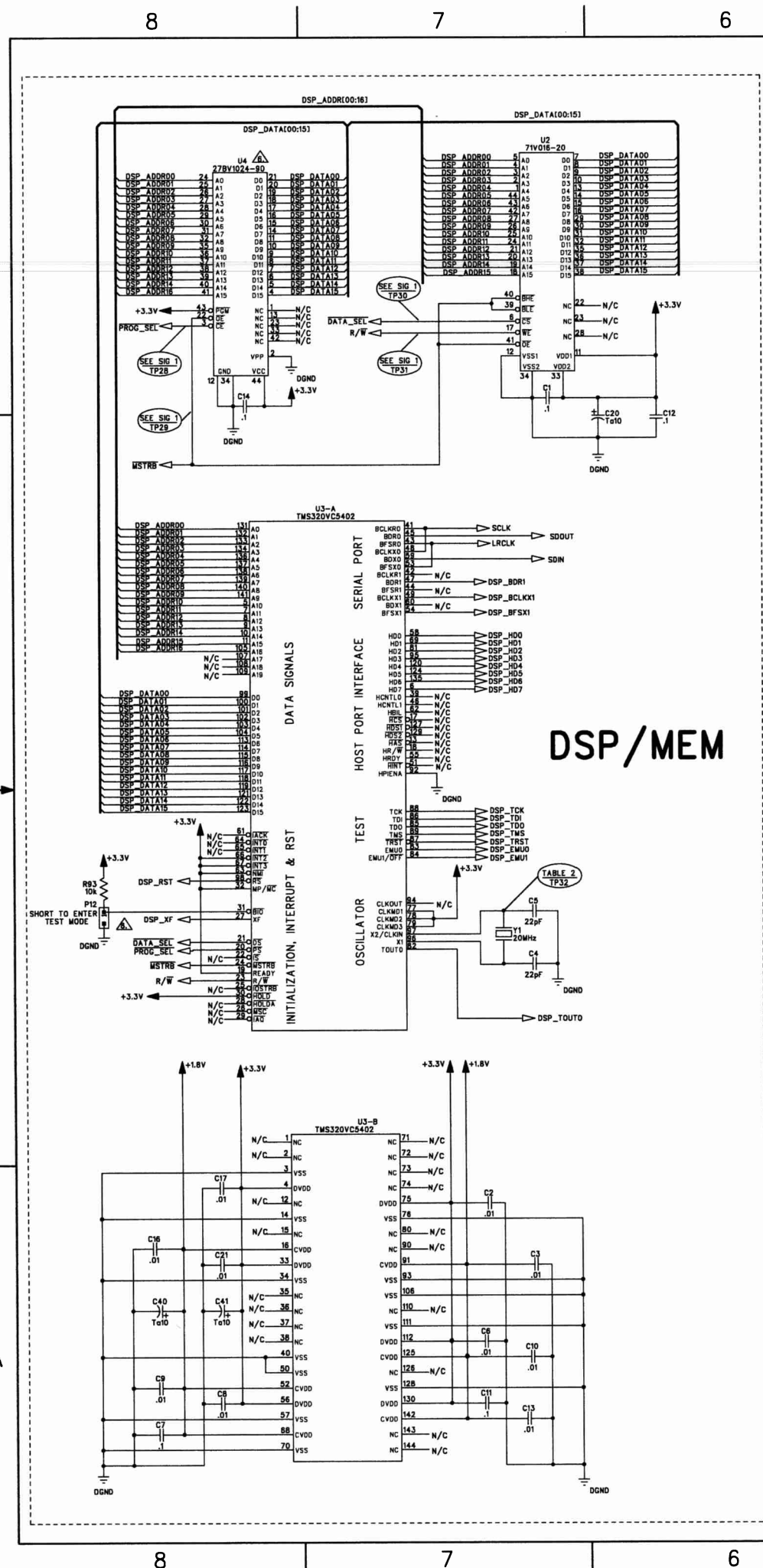


TABLE 1			
TP	JAZZMASTER 100mV; 1kHz INPUT 1	ACOUSTASONIC 75mV; 400Hz INST INPUT	ACOUSTASONIC 75mV; 400Hz MIC INPUT
TP8	2.0VAC	0VAC	2.9VAC
TP10	2.0VAC	0VAC	2.9VAC
TP11	280mVAC	0VAC	400mVAC
TP12	280mVAC	0VAC	400mVAC
TP13	0VAC	1.0VAC	0VAC
TP14	0VAC	1.0VAC	0VAC
TP15	0VAC	130mVAC	0VAC
TP16	0VAC	130mVAC	0VAC
TP18	280mVAC	85mVAC	400mVAC
TP19	280mVAC	85mVAC	400mVAC
TP37	5.0VAC	1.4VAC	8.1VAC
TP38	5.0VAC	1.4VAC	8.1VAC
TP39	5.0VAC	1.4VAC	8.1VAC
TP40	5.0VAC	1.4VAC	8.1VAC

TABLE 2	
TP	FREQUENCY
TP23	25.0 MHz
TP24	12.5 MHz
TP25	3.125 MHz
TP26	195.3 KHz
TP27	48.8 KHz
TP32	20 MHz

- FOR TP MEASUREMENTS:
AC AND DC VOLTAGES ARE READ TO GROUND WITH DVM UNDER THE FOLLOWING CONDITIONS:
UNIT AT RATED LINE VOLTAGE
SEE TABLE 1 FOR TP9-16, TP18-19, TP37-40
SEE TABLE 2 FOR TP23-27 AND TP32
ACOUSTASONIC IN MONO MODE (REAR PANEL BUTTON IN)
VOLTAGES MAY VARY +/- 20%
 - ALL CONTROLS AT 50% EXCEPT FX LEVELS FULL CW
 - USE 100MHz OSCILLOSCOPE MIN TO VERIFY: TP17, TP20, TP22-32
 - DO NOT STUFF P1, P12 AND R15.
 - P9-10 INSTALLED IN PCB ASSY 0070101000 ONLY. P5-B INSTALLED IN PCB ASSY 0064657000 ONLY.
 - U4 PART NUMBER AS FOLLOWS:
0064663000 - JAZZMASTER ULTRALIGHT ASSY (0070101000)
0064677000 - JAZZMASTER ULTRALIGHT ASSY (0064657000)
 - THIS SCHEMATIC IS FOR PCB FABRICATION P/N 0064658000 AND PCB ASSEMBLY P/N 0064657000 AND 0070101000.
 - ALL DIODES ARE 1N4448 UNLESS OTHERWISE SPECIFIED.
 - ALL POLARIZED CAPACITORS IN uf, 20% OR BETTER; 16V MINIMUM. (POWER SUPPLY BYPASS CAPACITORS ARE 20%).
 - ALL UNPOLARIZED CAPACITORS IN uf, 10% OR BETTER; 16V MINIMUM. (POWER SUPPLY BYPASS CAPACITORS ARE 20%).
 - ALL RESISTORS IN OHMS, 5%, 1/4W.
- NOTES: (UNLESS OTHERWISE NOTED)

THIS DOCUMENT CONTAINS INFORMATION OF A PROPRIETARY NATURE TO FENDER MUSICAL INSTRUMENTS AND IS SUBMITTED TO YOU IN CONFIDENCE AND SHALL NOT BE DISCLOSED OR TRANSMITTED TO OTHERS WITHOUT AUTHORIZATION FROM FENDER MUSICAL INSTRUMENTS.

Fender MUSICAL INSTRUMENTS
Corona, CA U.S.A.

CHECKED BY: [Signature]
DATE: 8/31/06

APPROVED BY: [Signature]
DATE: 8/31/06

DRAWN: E. Miller ENGR: E. Miller

DATE: 8/31/06

DATABASE FILE: Z82852.ach

TITLE: SERVICE DIAGRAM, COMBINED (schematic) ULTRALIGHT SERIES PWR AMP

SIZE: D

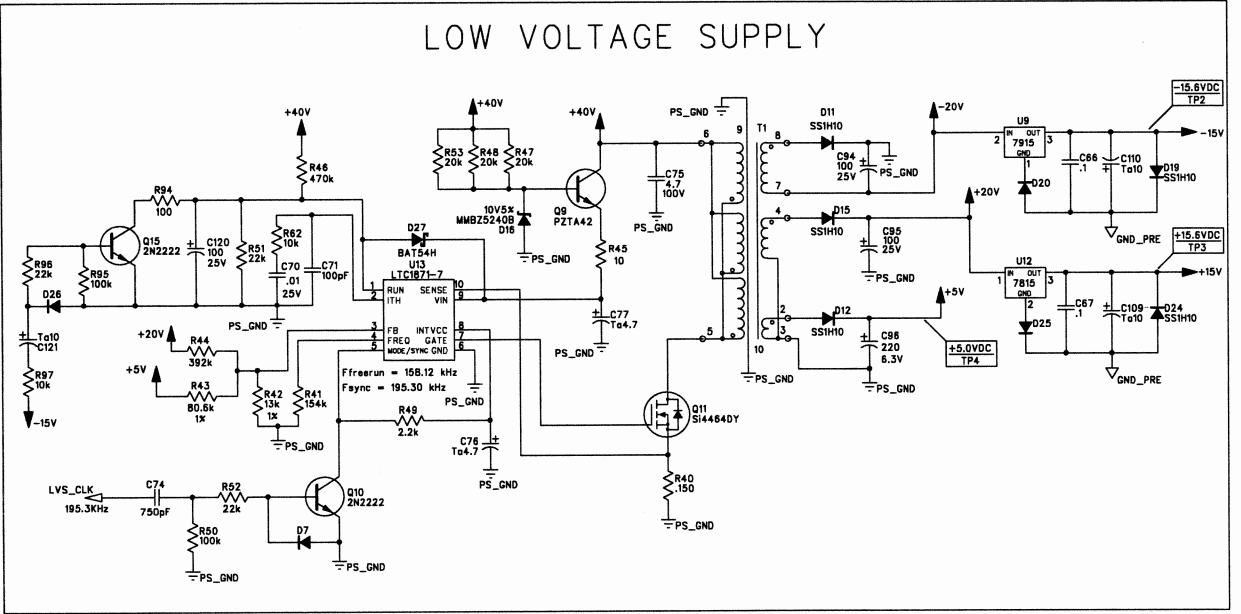
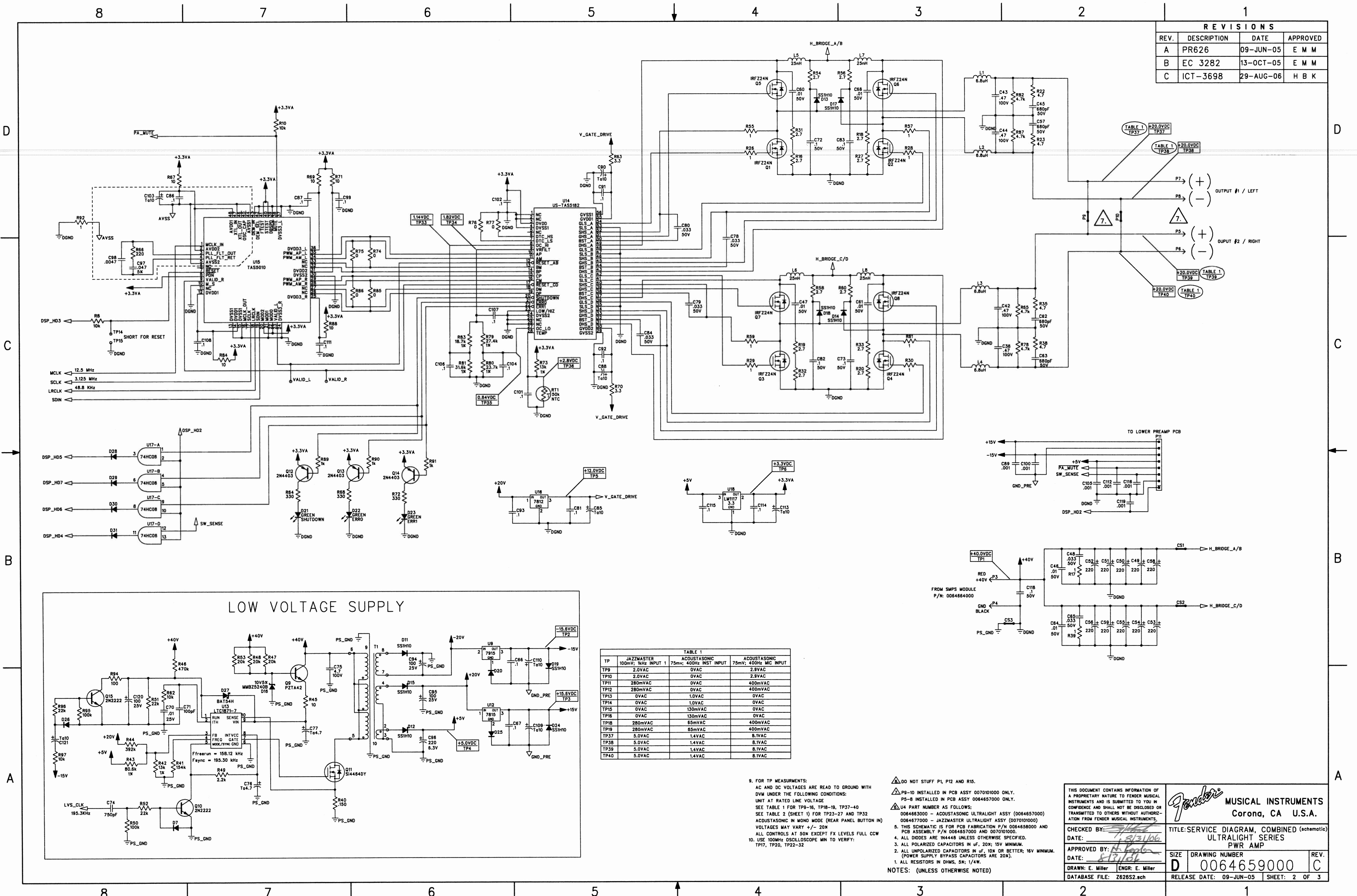
DRAWING NUMBER: 0064659000

RELEASE DATE: 09-JUN-05

SHEET: 1 OF 3

REV: C

REVISIONS			
REV.	DESCRIPTION	DATE	APPROVED
A	PR626	09-JUN-05	E M M
B	EC 3282	13-OCT-05	E M M
C	ICT-3698	29-AUG-06	H B K



TP	JAZZMASTER 100mV; 1kHz INPUT	ACOUSTASONIC 75mV; 400Hz INST INPUT	ACOUSTASONIC 75mV; 400Hz MIC INPUT
TP9	2.0VAC	0VAC	2.8VAC
TP10	2.0VAC	0VAC	2.3VAC
TP11	280mVAC	0VAC	400mVAC
TP12	280mVAC	0VAC	400mVAC
TP13	0VAC	1.0VAC	0VAC
TP14	0VAC	1.0VAC	0VAC
TP15	0VAC	130mVAC	0VAC
TP16	0VAC	130mVAC	0VAC
TP18	280mVAC	65mVAC	400mVAC
TP19	280mVAC	65mVAC	400mVAC
TP37	5.0VAC	1.4VAC	8.1VAC
TP38	5.0VAC	1.4VAC	8.1VAC
TP39	5.0VAC	1.4VAC	8.1VAC
TP40	5.0VAC	1.4VAC	8.1VAC

9. FOR TP MEASUREMENTS:
AC AND DC VOLTAGES ARE READ TO GROUND WITH DVM UNDER THE FOLLOWING CONDITIONS:
UNIT AT RATED LINE VOLTAGE
SEE TABLE 1 FOR TP9-16, TP18-19, TP37-40
SEE TABLE 2 (SHEET 1) FOR TP23-27 AND TP32
ACOUSTASONIC IN MONO MODE (REAR PANEL BUTTON IN)
VOLTAGES MAY VARY +/- 20%
ALL CONTROLS AT 50% EXCEPT FX LEVELS FULL CCW
10. USE 100MHz OSCILLOSCOPE MIN TO VERIFY:
TP17, TP20, TP22-32
- DO NOT STUFF P1, P12 AND R15.
PS-10 INSTALLED IN PCB ASSY 0070101000 ONLY.
PS-8 INSTALLED IN PCB ASSY 0064657000 ONLY.
U4 PART NUMBER AS FOLLOWS:
0064663000 - JAZZMASTER ULTRALIGHT ASSY (0070101000)
0064677000 - JAZZMASTER ULTRALIGHT ASSY (0070101000)
5. THIS SCHEMATIC IS FOR PCB FABRICATION P/N 0064658000 AND PCB ASSEMBLY P/N 0064657000 AND 0070101000.
4. ALL DIODES ARE 1N4448 UNLESS OTHERWISE SPECIFIED.
3. ALL POLARIZED CAPACITORS IN UF, 20%; 15V MINIMUM.
2. ALL UNPOLARIZED CAPACITORS IN UF, 10% OR BETTER; 16V MINIMUM. (POWER SUPPLY BYPASS CAPACITORS ARE 20%).
1. ALL RESISTORS IN OHMS, 5%; 1/4W.
- NOTES: (UNLESS OTHERWISE NOTED)

THIS DOCUMENT CONTAINS INFORMATION OF A PROPRIETARY NATURE TO FENDER MUSICAL INSTRUMENTS AND IS SUBMITTED TO YOU IN CONFIDENCE AND SHALL NOT BE DISCLOSED OR TRANSMITTED TO OTHERS WITHOUT AUTHORIZATION FROM FENDER MUSICAL INSTRUMENTS.

Fender MUSICAL INSTRUMENTS
Corona, CA U.S.A.

CHECKED BY: *[Signature]*
DATE: *8/23/06*

APPROVED BY: *[Signature]*
DATE: *8/23/06*

DRAWN: E. Miller ENGR: E. Miller
DATABASE FILE: Z626S2.sch

TITLE: SERVICE DIAGRAM, COMBINED (schematic)
ULTRALIGHT SERIES
PWR AMP

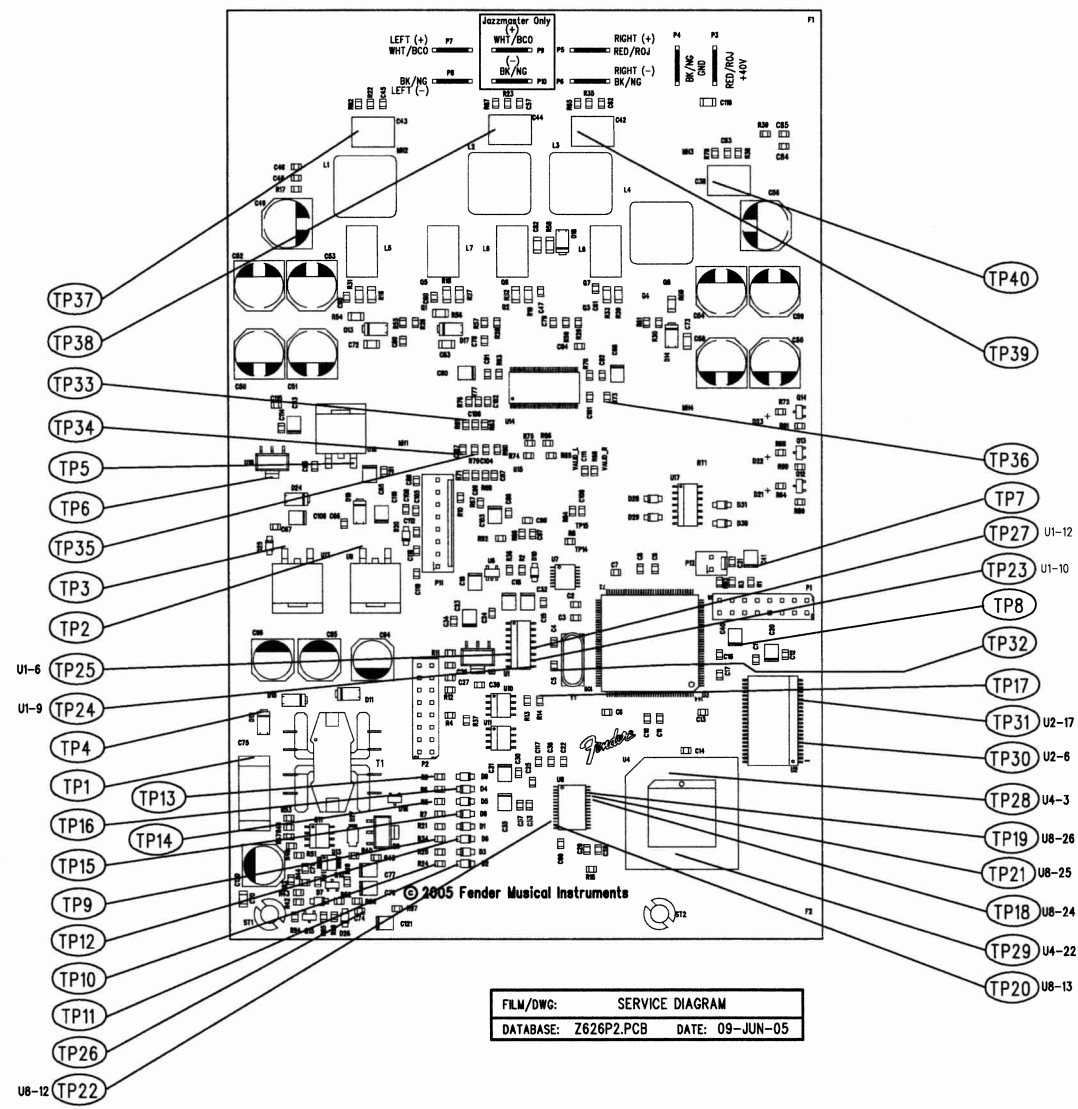
SIZE	DRAWING NUMBER	REV.
D	0064659000	C

RELEASE DATE: 09-JUN-05 SHEET: 2 OF 3

8 | 7 | 6 | 5 | 4 | 3 | 2 | 1


REVISIONS			
REV.	DESCRIPTION	DATE	APPROVED
A	PR 626	09-JUN-05	E M M
B	EC 3282	13-OCT-05	E M M
C	ICT-3698	29-AUG-06	H B K

D
C
B
A



1. SEE SHEETS 1 & 2 FOR TEST CONDITIONS AND TEST POINT VALUES.

NOTES: (UNLESS OTHERWISE NOTED)

THIS DOCUMENT CONTAINS INFORMATION OF A PROPRIETARY NATURE TO FENDER MUSICAL INSTRUMENTS AND IS SUBMITTED TO YOU IN CONFIDENCE AND SHALL NOT BE DISCLOSED OR TRANSMITTED TO OTHERS WITHOUT AUTHORIZATION FROM FENDER MUSICAL INSTRUMENTS.		 MUSICAL INSTRUMENTS Corona, CA U.S.A.	
CHECKED BY: <i>[Signature]</i> DATE: 08/31/06		TITLE: SERVICE DIAGRAM, COMBINED (PCB assy) ULTRALIGHT SERIES PWR AMP	
APPROVED BY: <i>[Signature]</i> DATE: 8/31/06		SIZE: C	DRAWING NUMBER: 0064659000
DRAWN: P CORBIN ENGR: E MILLER		RELEASE DATE: 09-JUN-05	REV. C
DATABASE FILE: Z626P2.PCB		SHEET 3 OF 3	

8 | 7 | 6 | 5 | 4 | 3 | 2 | 1