

FENDER MODEL BAYMASTER REVERB AMP AAZ70 "SCHEMATIC"

11-1-55

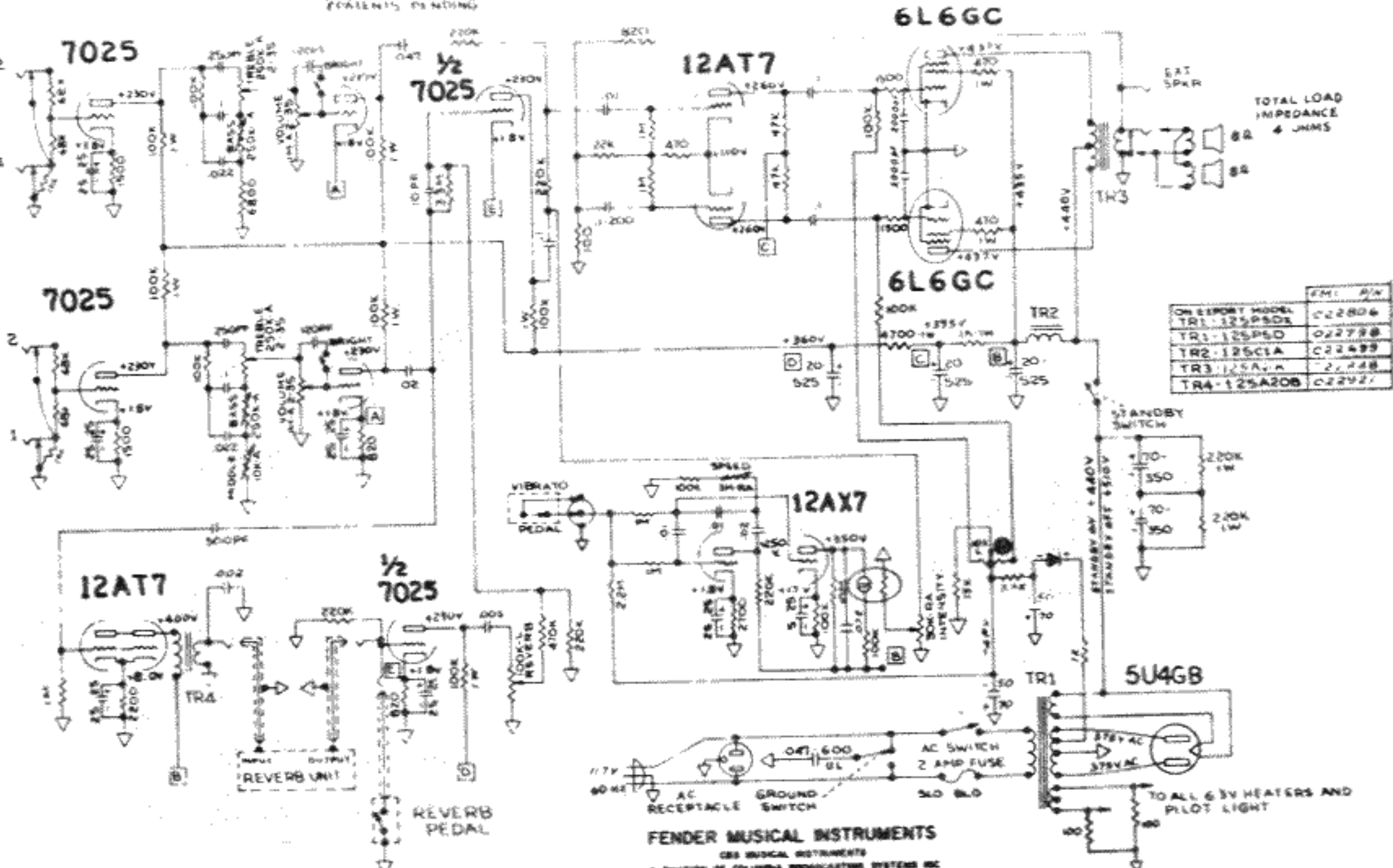
NOTICE

THIS MANUAL IS MANUFACTURED UNDER ONE OR MORE OF THE FOLLOWING U.S. PATENTS: (1) PATENT #28-7708, #297368; (2) DESIGN PATENT #192859; (3) PATENTS PENDING.

1. ALL VOLTAGES READ WITH VIBRATO PEDAL GROUNDING AND NO INPUT SIGNAL
2. ALL VOLTAGES READ WITH VIBRATO PEDAL GROUNDING AND NO INPUT SIGNAL
3. ALL VOLTAGES READ WITH VIBRATO PEDAL GROUNDING AND NO INPUT SIGNAL
4. ALL VOLTAGES READ WITH VIBRATO PEDAL GROUNDING AND NO INPUT SIGNAL

NORMAL

VIBRATO



ON SEBORT MODEL	EMC. #/W
TR1-125P50X	C22804
TR2-125C1A	O22778
TR3-125A1A	C22488
TR4-125A20B	C22927

FENDER MUSICAL INSTRUMENTS
 CBS MUSICAL INSTRUMENTS
 A DIVISION OF COLUMBIA BROADCASTING SYSTEMS INC.
 FULLERTON, CALIFORNIA
 U.S.A.