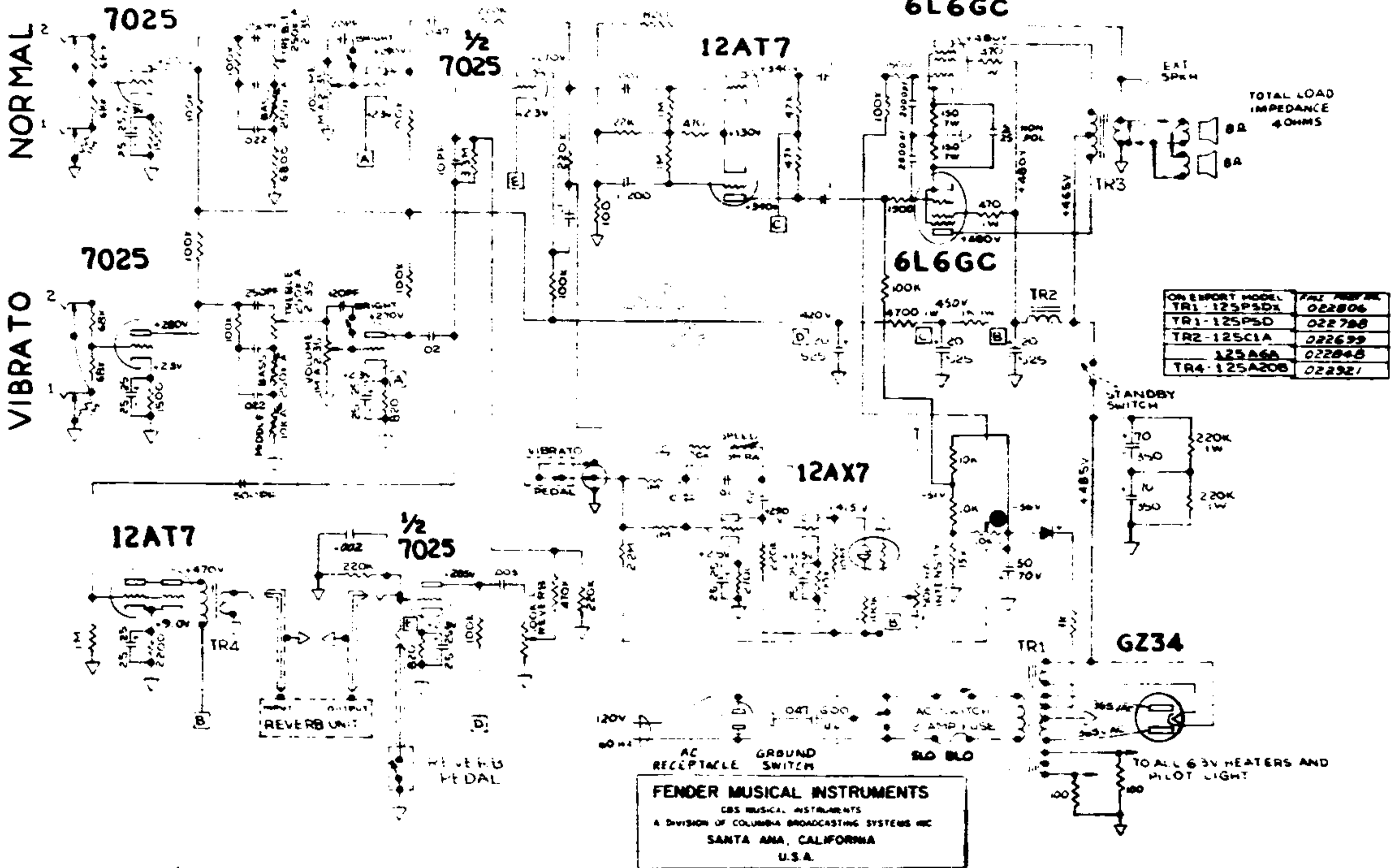


FENDER MODEL BANDMASTER-REVERB-AMP AA 768 SCHEMATIC NOTICE

THIS SCHEMATIC IS THE PROPERTY OF FENDER MUSICAL INSTRUMENTS, INC. IT IS TO BE KEPT CONFIDENTIAL AND NOT REPRODUCED OR TRANSMITTED IN ANY FORM OR BY ANY MEANS, ELECTRONIC OR MECHANICAL, INCLUDING PHOTOCOPYING, RECORDING, OR BY ANY INFORMATION STORAGE AND RETRIEVAL SYSTEM. WITHOUT THE WRITTEN PERMISSION OF FENDER MUSICAL INSTRUMENTS, INC. THIS SCHEMATIC IS TO BE KEPT CONFIDENTIAL AND NOT REPRODUCED OR TRANSMITTED IN ANY FORM OR BY ANY MEANS, ELECTRONIC OR MECHANICAL, INCLUDING PHOTOCOPYING, RECORDING, OR BY ANY INFORMATION STORAGE AND RETRIEVAL SYSTEM. WITHOUT THE WRITTEN PERMISSION OF FENDER MUSICAL INSTRUMENTS, INC. THIS SCHEMATIC IS TO BE KEPT CONFIDENTIAL AND NOT REPRODUCED OR TRANSMITTED IN ANY FORM OR BY ANY MEANS, ELECTRONIC OR MECHANICAL, INCLUDING PHOTOCOPYING, RECORDING, OR BY ANY INFORMATION STORAGE AND RETRIEVAL SYSTEM.

1. ALL VOLTAGES READ WITH VIBRATO PEDAL GROUNDING AND NO INPUT SIGNAL.
2. ALL VOLTAGES READ WITH VIBRATO PEDAL GROUNDING AND NO INPUT SIGNAL.
3. ALL VOLTAGES READ WITH VIBRATO PEDAL GROUNDING AND NO INPUT SIGNAL.
4. ALL VOLTAGES READ WITH VIBRATO PEDAL GROUNDING AND NO INPUT SIGNAL.



FENDER MUSICAL INSTRUMENTS
CBS MUSICAL INSTRUMENTS
A DIVISION OF COLUMBIA BROADCASTING SYSTEMS INC
SANTA ANA, CALIFORNIA
U.S.A.

SCHEMATIC & WIRING DIAGRAM
BANDMASTER REVERB AMP AA768

REV	D	109223	1	2
-----	---	--------	---	---