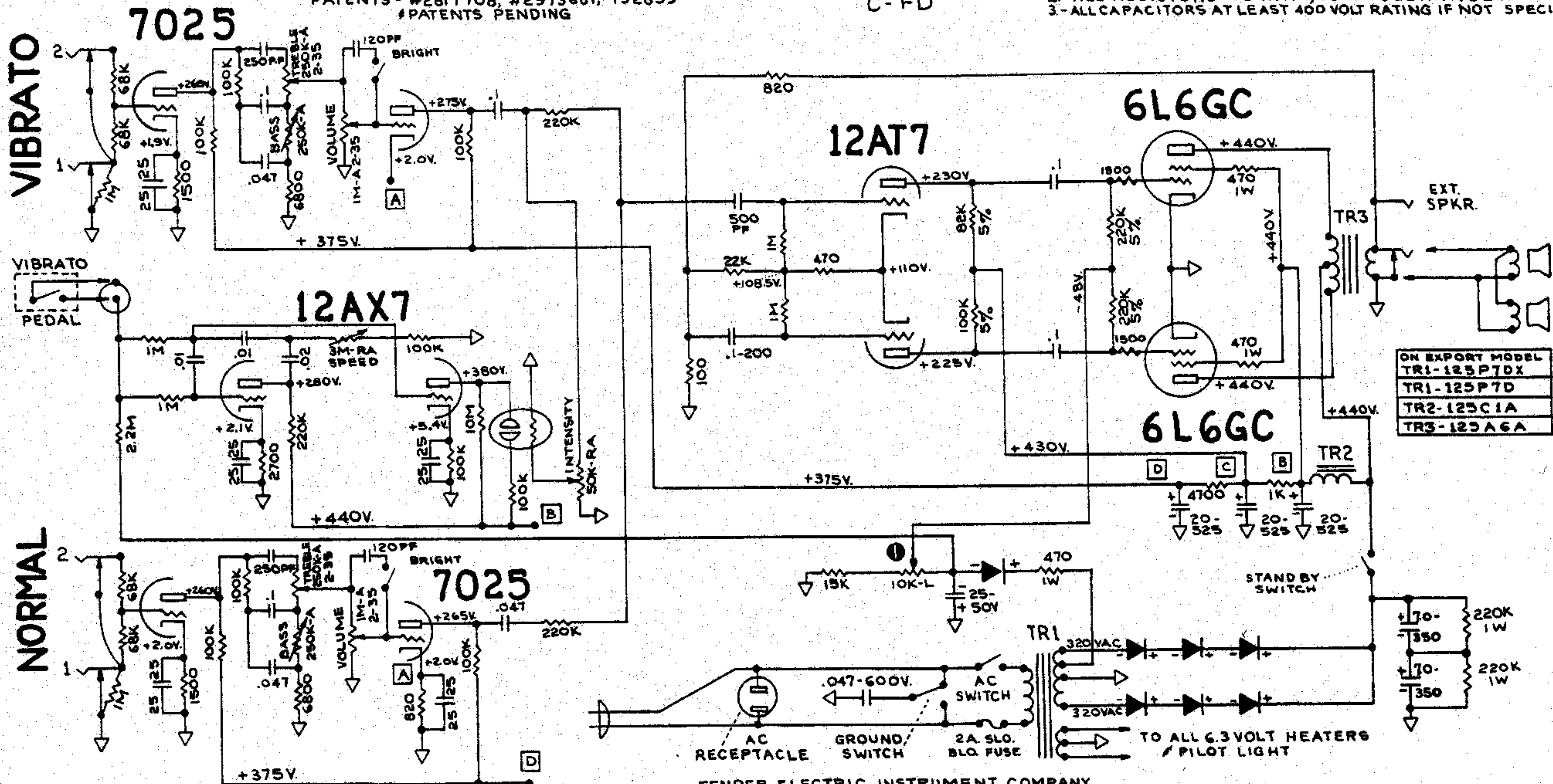


# FENDER "BANDMASTER-AMP AB 763" SCHEMATIC P/B NOTICE

THIS PRODUCT MANUFACTURED UNDER ONE OR MORE OF THE FOLLOWING U.S. PATENTS - #2817708, #2973681, 192859 # PATENTS PENDING

C-FD

- 1-VOLTAGES READ TO GROUND WITH ELECTRONIC VOLT METER VALUES SHOWN + OR - 20%
- 2- ALL RESISTORS 1/2 WATT, 10% TOLERANCE IF NOT SPECIFIED.
- 3- ALL CAPACITORS AT LEAST 400 VOLT RATING IF NOT SPECIFIED.



ON EXPORT MODEL
TR1 - 125P7DX
TR1 - 125P7D
TR2 - 125C1A
TR3 - 125A6A

FENDER ELECTRIC INSTRUMENT COMPANY  
FULLERTON, CALIFORNIA