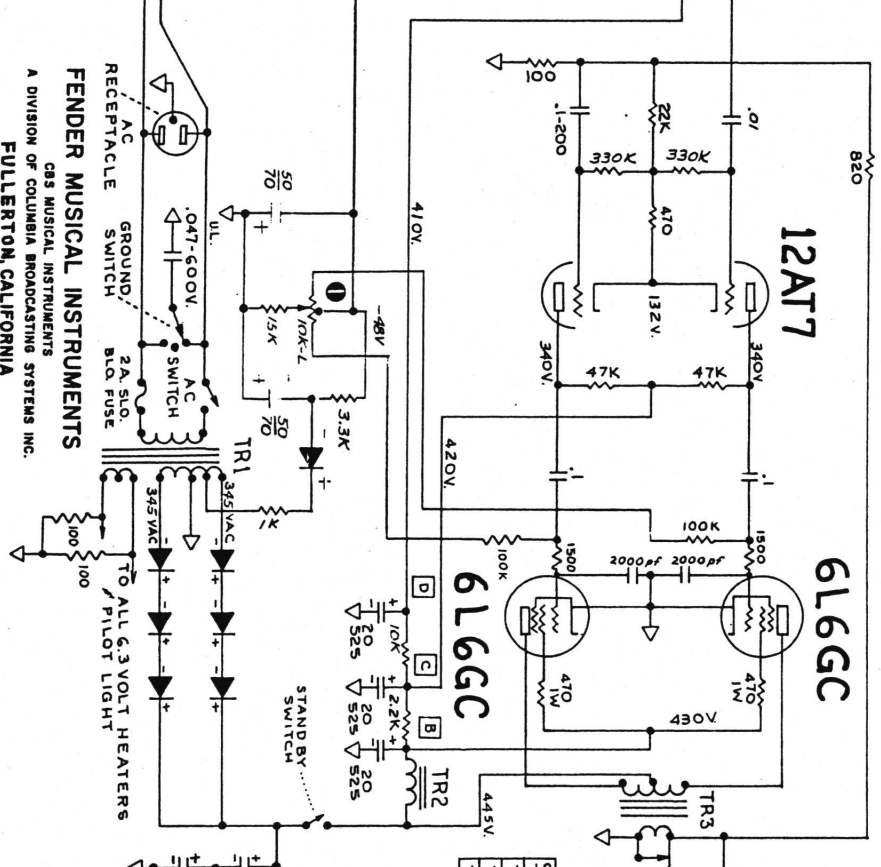
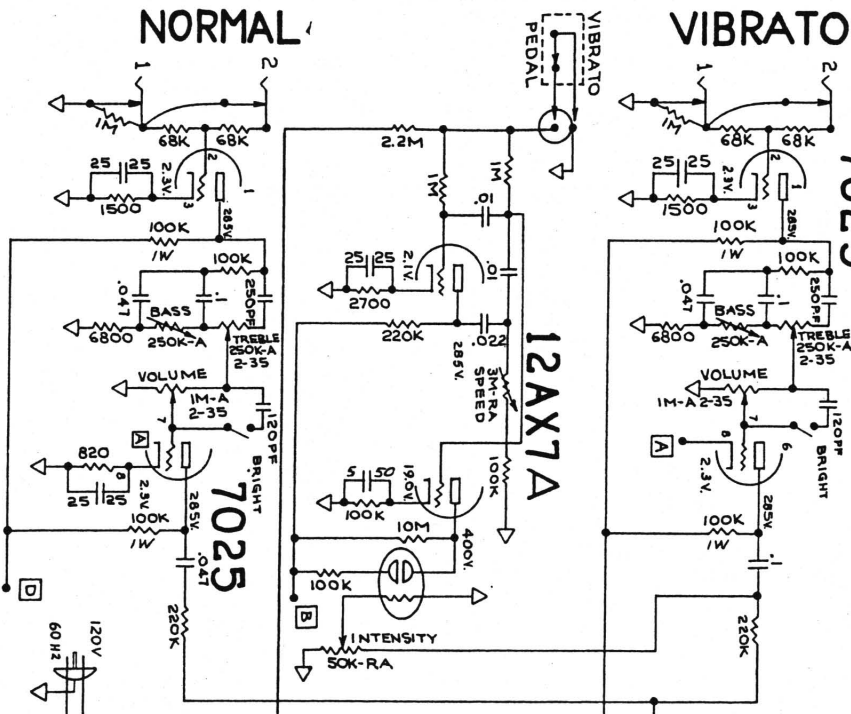


FENDER "BANDMASTER-AMP AD1269" SCHEMATIC $\frac{P}{B}$ NOTICE

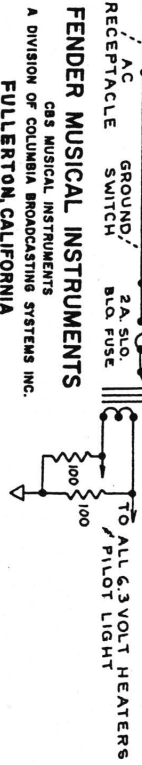
7025

THIS PRODUCT MANUFACTURED UNDER ONE OR MORE OF THE FOLLOWING U.S. PATENTS - #2817708, #2973581, 192859 & PATENTS PENDING

- 1- VOLTAGES READ TO GROUND WITH ELECTRONIC VOLTMETER
- 2- ALL RESISTORS 1/2 WATT, 10% TOLERANCE IF NOT SPECIFIED.
- 3- ALL CAPACITORS AT LEAST 600 VOLT RATING IF NOT SPECIFIED.
- 4- VOLTAGES READ WITH VIBRATO PEDAL GROUNDED AND NO INPUT SIGNAL



ON EXPORT MODEL	022822
TR1-125P7DX	022814
TR2-125C1A	022699
TR3-125A6A	022848



FENDER MUSICAL INSTRUMENTS
 CBS MUSICAL INSTRUMENTS
 A DIVISION OF COLUMBIA BROADCASTING SYSTEMS INC.
 FULLERTON, CALIFORNIA
 U.S.A.

047761 D

FENDER "BANDMASTER-AMP ADI269" LAYOUT

NOTICE

VOLTAGES READ TO GROUND WITH ELECTRONIC VOLTMETER VALUES SHOWN + OR - 20%.
VIBRATO-GROUNDED NO INPUT SIGNAL

C-FD

BASS TREBLE VOLUME BRIGHT 2
250K-J 250K-J 250K-J 1M-J

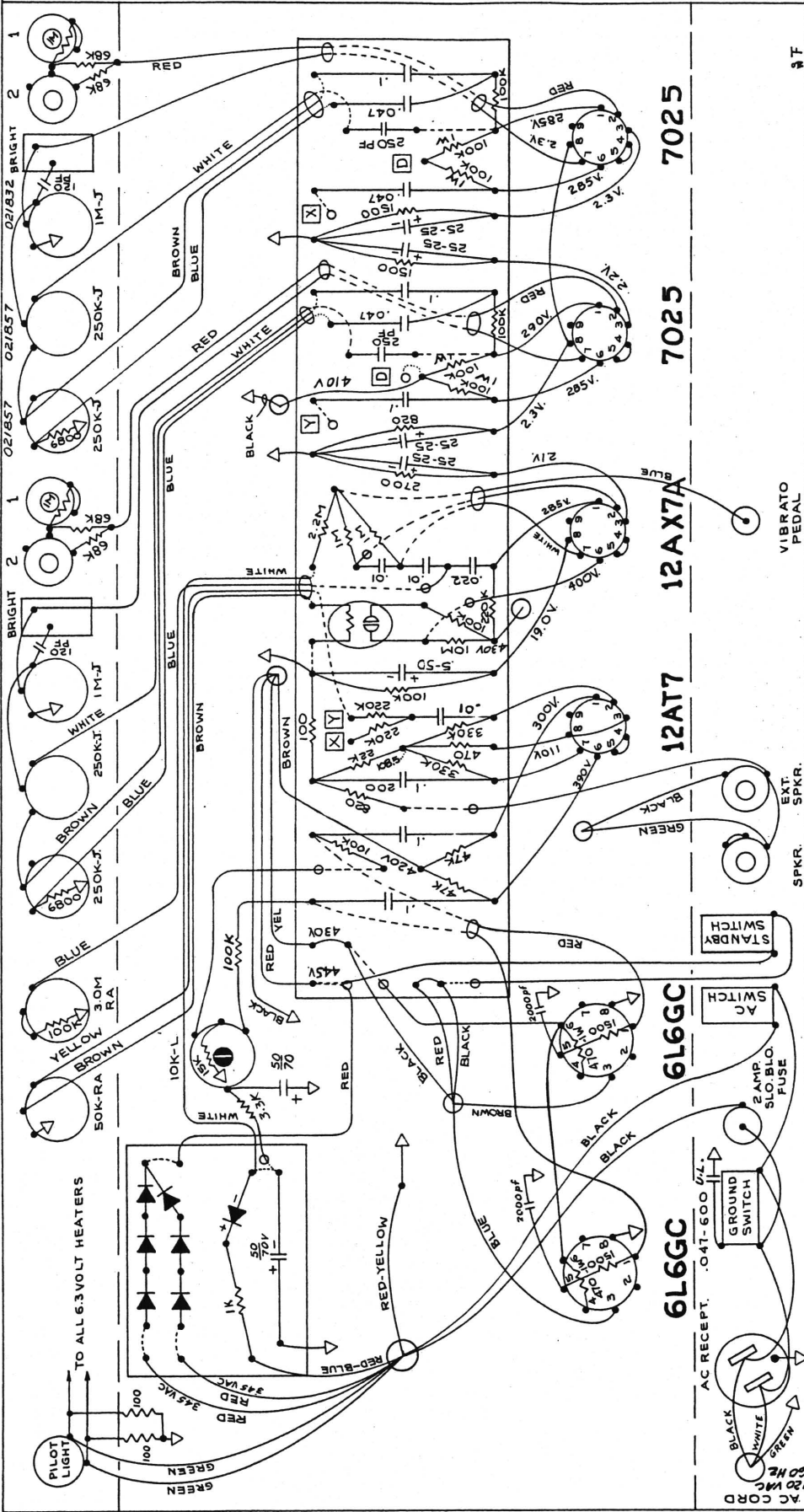
1 02/857 02/857 02/857 02/832 BRIGHT 2

TREBLE VOLUME BRIGHT 2
250K-J 1M-J

02/865 02/857 02/857 02/832

50K-RA 20M RC
100K 100K

TO ALL 6.3 VOLT HEATERS



NOTE: ALL RESISTORS 1/2 WATT 10% TOLERANCE IF NOT SPECIFIED. NOTE: ALL CAPACITORS AT LEAST 600 VOLT RATING IF NOT SPECIFIED.

: LEAD COLORS MAY VARY

FENDER MUSICAL INSTRUMENTS
CBS MUSICAL INSTRUMENTS
A DIVISION OF COLUMBIA BROADCASTING SYSTEMS INC.
FULLERTON, CALIFORNIA
U.S.A.