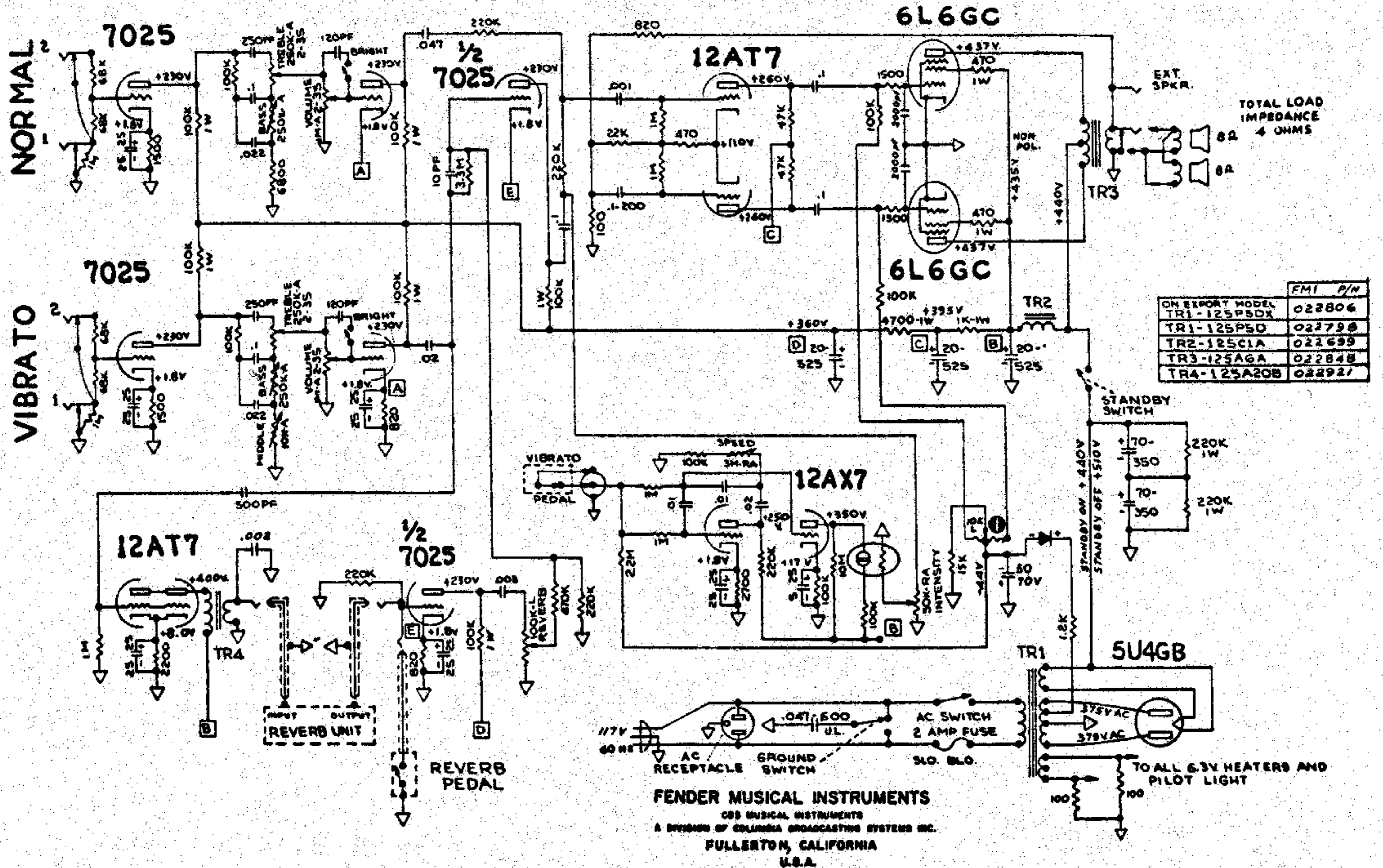


FENDER MODEL BANDMASTER REVERB-AMP AAI069" SCHEMATIC NOTICE

TFL5005D

THIS PRODUCT MANUFACTURED UNDER ONE OR MORE OF THE FOLLOWING US PATENTS: CIRCUIT PATENT #2617708, #2973681; DESIGN PATENT #192859; PATENTS PENDING.

- 1 - VOLTAGES READ TO GROUND WITH ELECTRONIC VOLTMETER.
- 2 - ALL RESISTORS 1/2 WATT 10% TOLERANCE IF NOT SPECIFIED.
- 3 - ALL CAPACITORS AT LEAST 400 VOLT RATING IF NOT SPECIFIED.
- 4 - ALL VOLTAGES READ WITH VIBRATO PEDAL GROUNDING AND NO INPUT SIGNAL.



ON REPORT MODEL	FMI P/N
TR1-125P50	022806
TR2-125C1A	022798
TR3-125A6A	022848
TR4-125A20B	022921

FENDER MUSICAL INSTRUMENTS
 CBS MUSICAL INSTRUMENTS
 A DIVISION OF COLUMBIA BROADCASTING SYSTEMS INC.
 FULLERTON, CALIFORNIA
 U.S.A.

DRAWN P.T. - 10-11-61
 APPROVED [Signature]

DWG. TITLE
SCHEMATIC & WIRING DIAGRAM
 BANDMASTER REVERB-AMP
 TUBE TYPE TFL5005D

REV	DATE	BY	DESCRIPTION	SCALE	MODEL TYPE	SHEET	OF
B			INCORPORATED ECO # 1689 1-25-59			1	2
A			INCORPORATED ECO # 1628 1-8-59 800 M.	NONE	BANDMASTER REVERB-AMP	1	2

AMPLIFIER TT