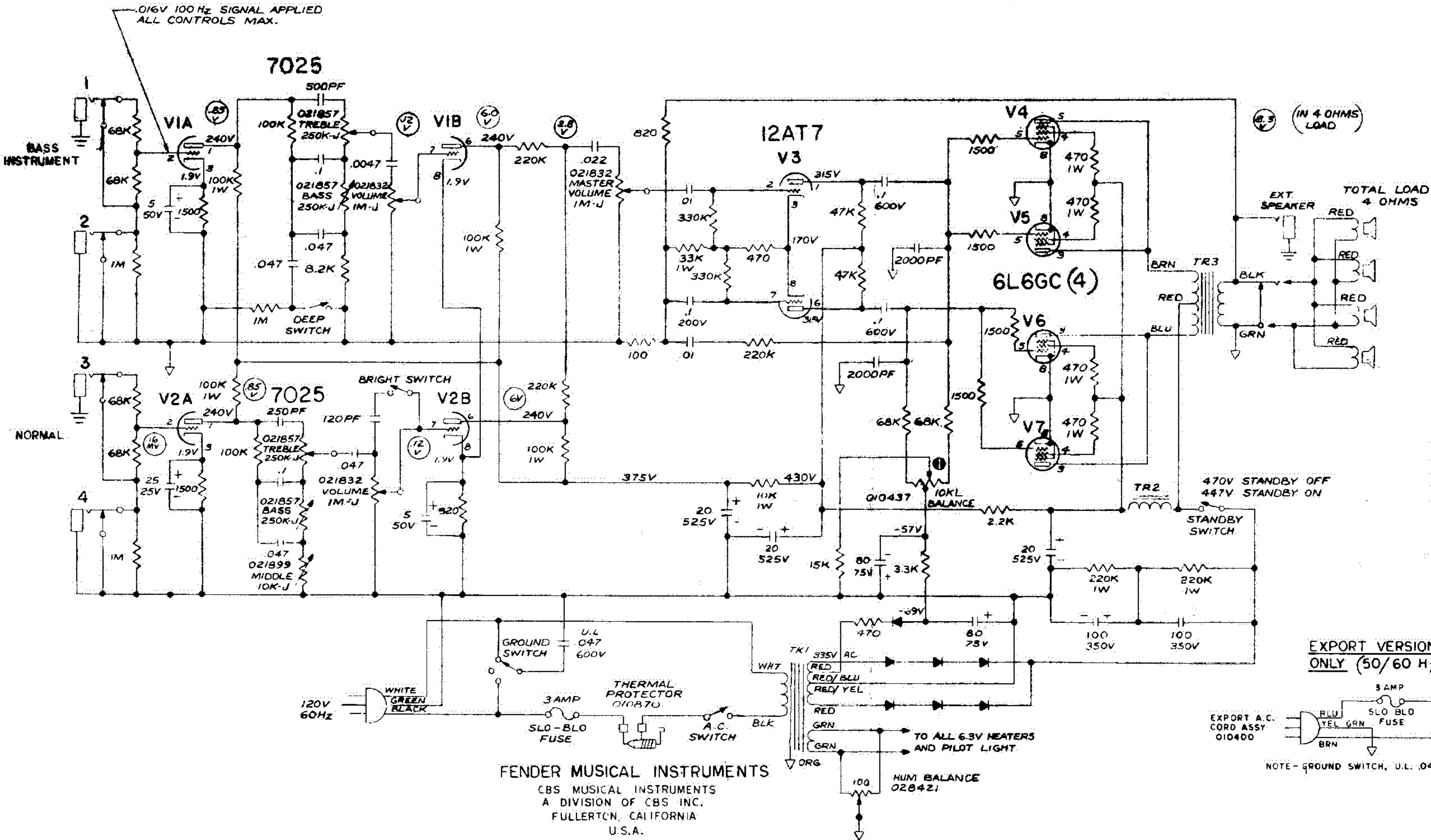


FENDER MODEL BASSMAN 100-AMP

THIS PRODUCT MANUFACTURED UNDER ONE OR MORE OF THE FOLLOWING U.S. PATENTS: #281778 #2973681, #192859 AND PATENTS PENDING.

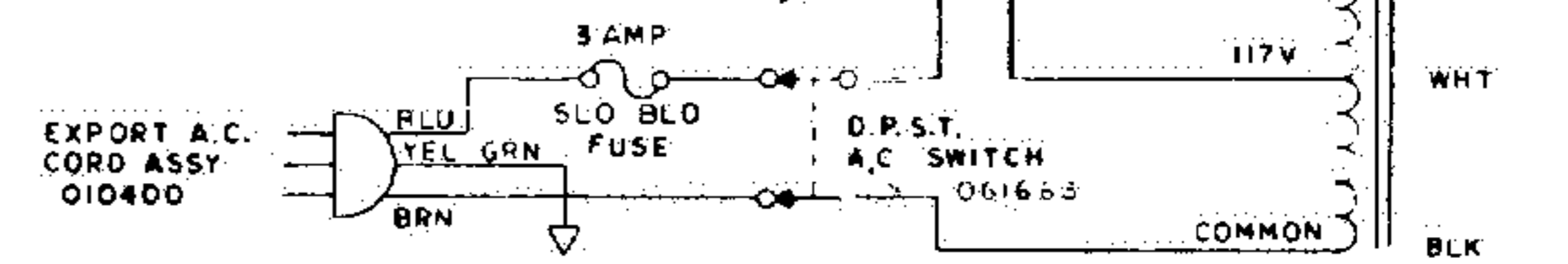
NOTES:

1. VOLTAGES READ TO GROUND WITH V.T.V.M.
2. ALL RESISTORS 1/2 WATT 10% TOLERANCE IF NOT SPECIFIED.
3. ALL CAPACITORS ARE AT LEAST 600V RATING IF NOT SPECIFIED.
4. (V) ARE AC VOLTAGES, FOR TEST ASSISTANCE.
5. 010870 USED IN SOME VERSIONS.



CBS PART NO.	ON EXPORT MODEL
022764	TR1-125P34AX
022756	TR1-125P34A
022699	TR2-125C1A
021657	TR3

EXPORT VERSIONS ONLY (50/60 HZ)



FENDER MUSICAL INSTRUMENTS
CBS MUSICAL INSTRUMENTS
A DIVISION OF CBS INC.
FULLERTON, CALIFORNIA
U.S.A.

CBS MUSICAL INSTRUMENTS
FULLERTON, CALIFORNIA

DWG. TITLE:
SCHMATIC
BASSMAN 100WATTS
R.M.S. AMP T.T.

DWG. NO. **010303** **F**