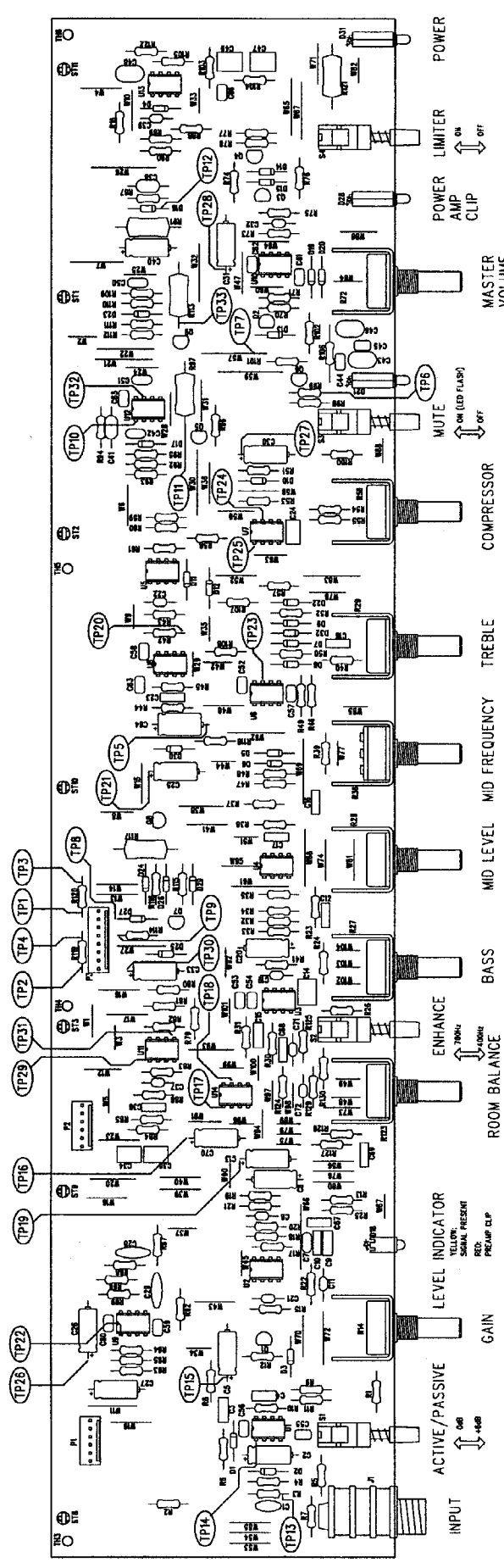




1 2 3 4 5 6 7 8

REVISIONS			
REV.	DESCRIPTION	DATE	APPROVED
A	PR 419	17-JAN-00	R. B. H.



FILM/PCB SERVICE DIAGRAM  
DATE: 17-JAN-00

MUSICAL INSTRUMENTS  
2821 Research Drive  
Corona, CA 91720 USA

TITLE: SERVICE DIAGRAM, COMBINED (PCB assy)  
BASSMAN 200  
PREAMP

CHECKED BY: R. B. H.  
DATE: 18-JAN-00

APPROVED BY: [Signature]  
DATE: 18-JAN-00

REV. D  
DRAWING NUMBER 005580000  
RELEASE DATE: 17-JAN-00

SHEET 2 OF 2

THIS DOCUMENT CONTAINS INFORMATION OF A PROPRIETARY NATURE TO FENDER MUSICAL INSTRUMENTS AND IS LIMITED TO YOU IN CONNECTION WITH THE INSTRUMENTS OR ACCESSORIES TO WHICH IT RELATES. IT IS NOT TO BE REPRODUCED OR TRANSMITTED IN ANY FORM OR BY ANY MEANS WITHOUT THE WRITTEN PERMISSION OF FENDER MUSICAL INSTRUMENTS.

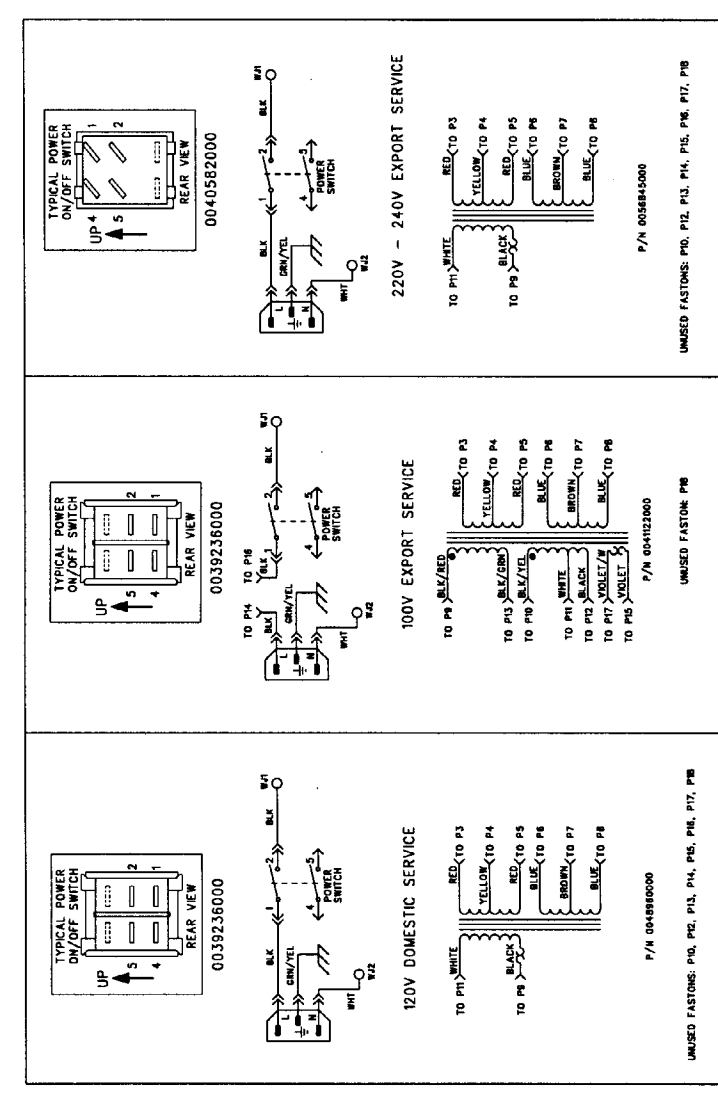
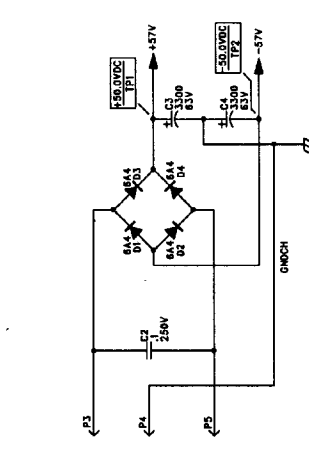
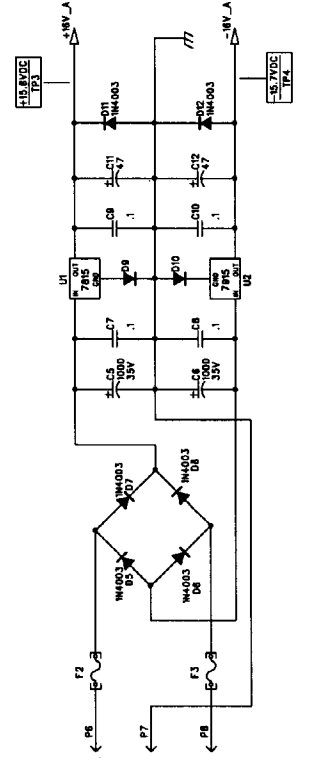
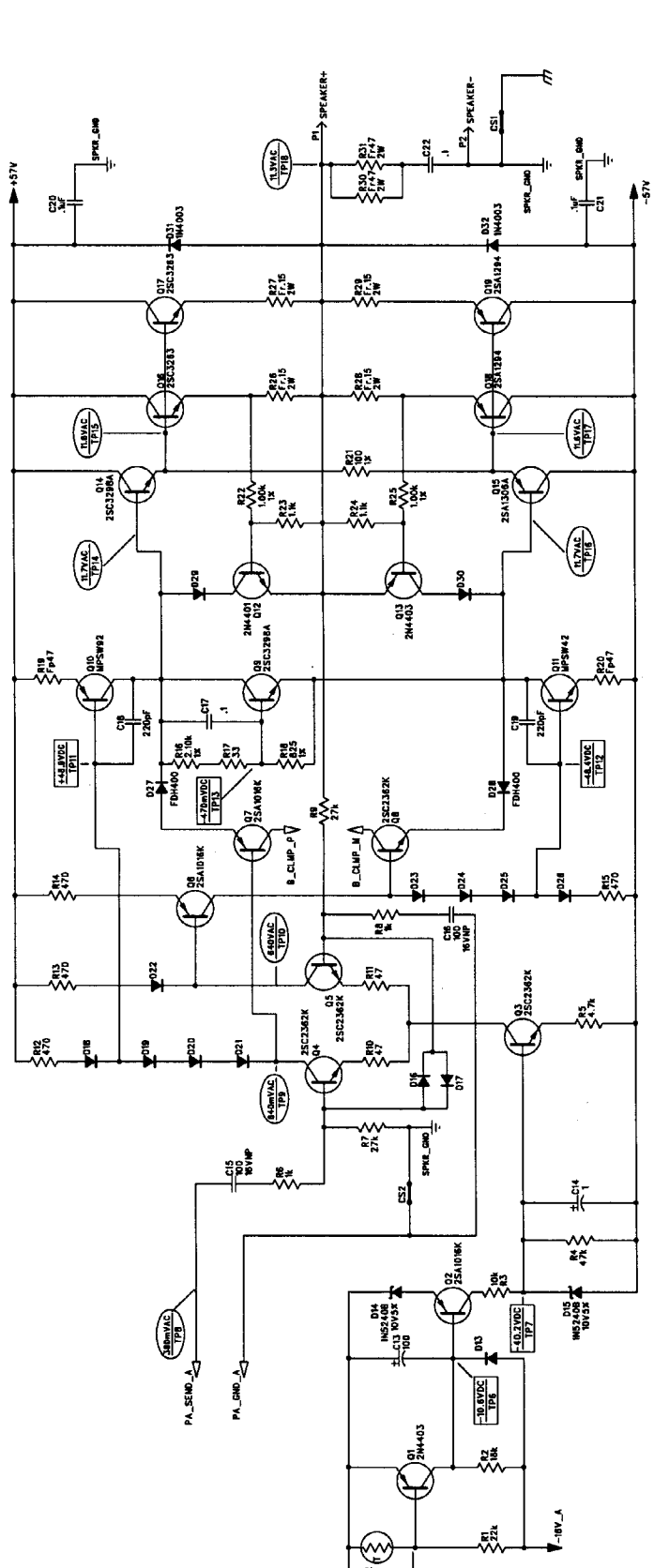
2. P1, P2, AND P3 CONNECT TO RIBBON CABLES FROM POWER AMP PCB ASSY (PWA) AND REAR PANEL PCB ASSEMBLY (PWA AND PWP).  
1. TEST FOR TEST CONDITIONS AND TEST POINT VALUES. NOTES: (UNLESS OTHERWISE NOTED)

1 2 3 4 5 6 7 8

REV.	DESCRIPTION	DATE	APPROVED
A	PR 419	17-JAN-00	R B H
B	EC 2468	24-APR-00	R B H
C	EC 2522	9-AUG-00	R B H

REV.	DESCRIPTION	DATE	APPROVED
A	PR 419	17-JAN-00	R B H
B	EC 2468	24-APR-00	R B H
C	EC 2522	9-AUG-00	R B H

**OUTPUT POWER TEST:**  
 CONNECT A 100W SINEWAVE SIGNAL TO J1 (FRONT PANEL). SET MASTER VOLUME ON FRONT TO MAX. (COUNTER WITH 4 OHM LOAD CONNECTED TO P17 AND P18). MEASURE OUTPUT POWER AT J1. ADJUST INPUT SIGNAL TO YIELD 200 WATTS AT 400W TYP.



- LAST INSTANCES: C22, C23, C24, F3, P18, P19, Q18, R31, R12, U2, W22
- AC AND DC MEASUREMENTS READ TO GROUND WITH A DVM POWERED AT RATED LINE VOLTAGE AND FREQUENCY
- 4 OHM RESISTIVE LOAD CONNECTED ACROSS P17-P18
- ADDITIONAL CONDITIONS FOR TEST POINTS: TYP-88
- PREAMP PCB ASSY SHOULD BE SET UP PER ITS SERVICE DIAGRAM (P/N 0055790000)
- INPUT 100W/AC RMS SINEWAVE INTO PREAMP PCB ASSY - J1 (\*MP11\*)
- NOTE: P13 INTERCONNECTS TO P3 ON PREAMP PCB ASSY (P/N 0055790000)
- THIS SCHEMATIC IS FOR PCB P/N 0055790000 AND PCB ASSY P/N 0055790000.
- ALL DIODES 1N4148.
- ALL POLARIZED CAPACITORS IN U.P. 200; 50V MINIMUM.
- ALL POLARIZED ELECTROLYTIC CAPACITORS ARE 200.
- POWER SUPPLY BYPASS CAPACITORS ARE 200.
- ALL RESISTORS IN OHMS, Ω, Ω/K, Ω/M, Ω/W.

**MUSICAL INSTRUMENTS**  
 Corono, CA U. S. A.

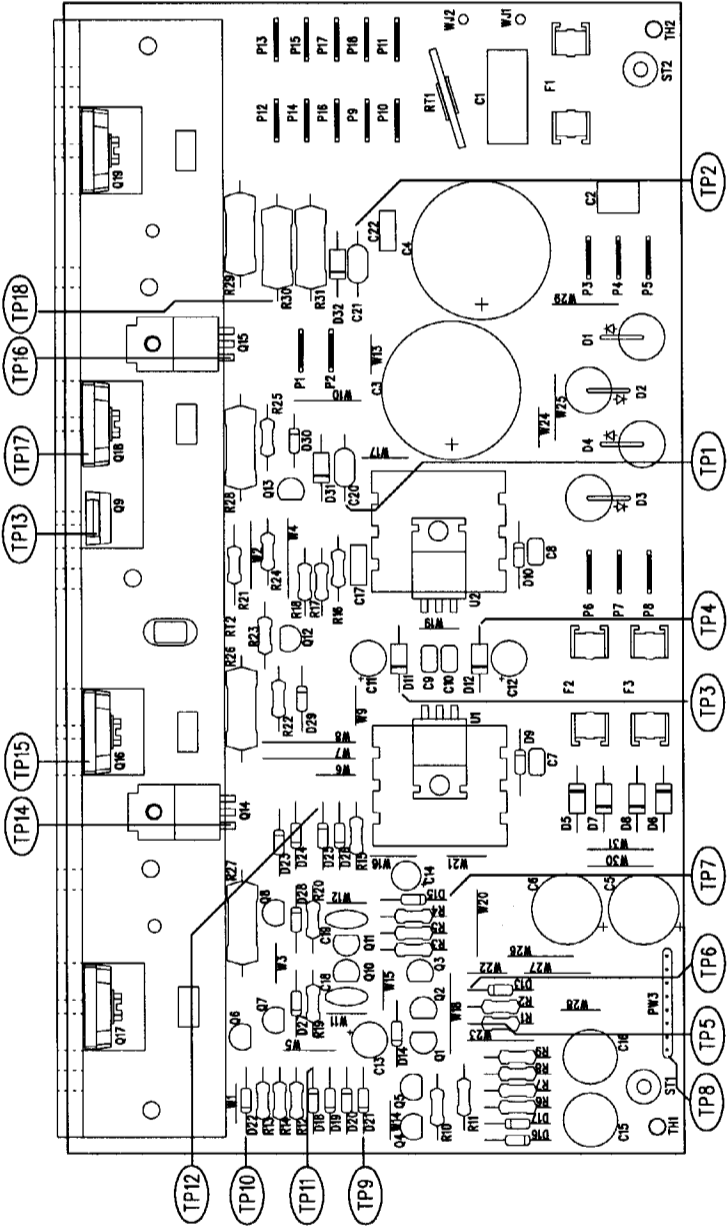
TITLE: SERVICE DIAGRAM, COMBINED (schematic)  
 BASSMAN 200  
 POWER AMP

SIZE: D  
 DRAWING NUMBER: 0055793000  
 REV. C

RELEASE DATE: 17-JAN-00  
 SHEET: 1 OF 2

1 2 3 4 5 6 7 8

REVISIONS			
REV.	DESCRIPTION	DATE	APPROVED
A	PR419	17-JAN-00	R B H
B	EC2468	24-APR-00	R B H
C	EC2522	09-AUG-00	R B H



FILM/DWG: SERVICE DIAGRAM  
 DATABASE: Z418P2.PCB DATE: 24-APR-00

- 2. RIBBON CABLE AT PW3 CONNECTS TO PREAMP PCB ASSY P3
- 1. SEE SHEET 1 FOR PRIMARY WIRING, TEST CONDITIONS, AND TEST POINT VALUES

NOTES: (UNLESS OTHERWISE NOTED)

THIS DOCUMENT CONTAINS INFORMATION OF A PROPRIETARY NATURE TO FENDER MUSICAL INSTRUMENTS AND IS SUBMITTED TO YOU IN CONFIDENCE AND SHALL NOT BE DISCLOSED OR TRANSMITTED TO OTHERS WITHOUT AUTHORIZATION FROM FENDER MUSICAL INSTRUMENTS.

CHECKED BY: *[Signature]*  
 DATE: *09-AUG-00*  
 APPROVED BY: *[Signature]*  
 DATE: *09-AUG-00*  
 DRAWN: R. HAACK ENGR. R. HAACK  
 DATABASE FILE: Z418P2.PCB

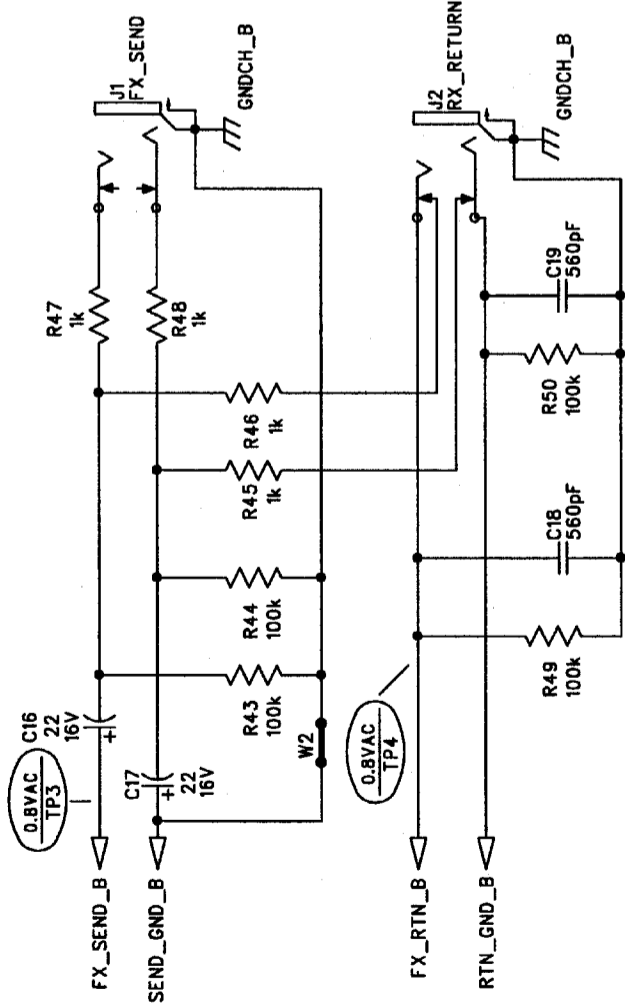
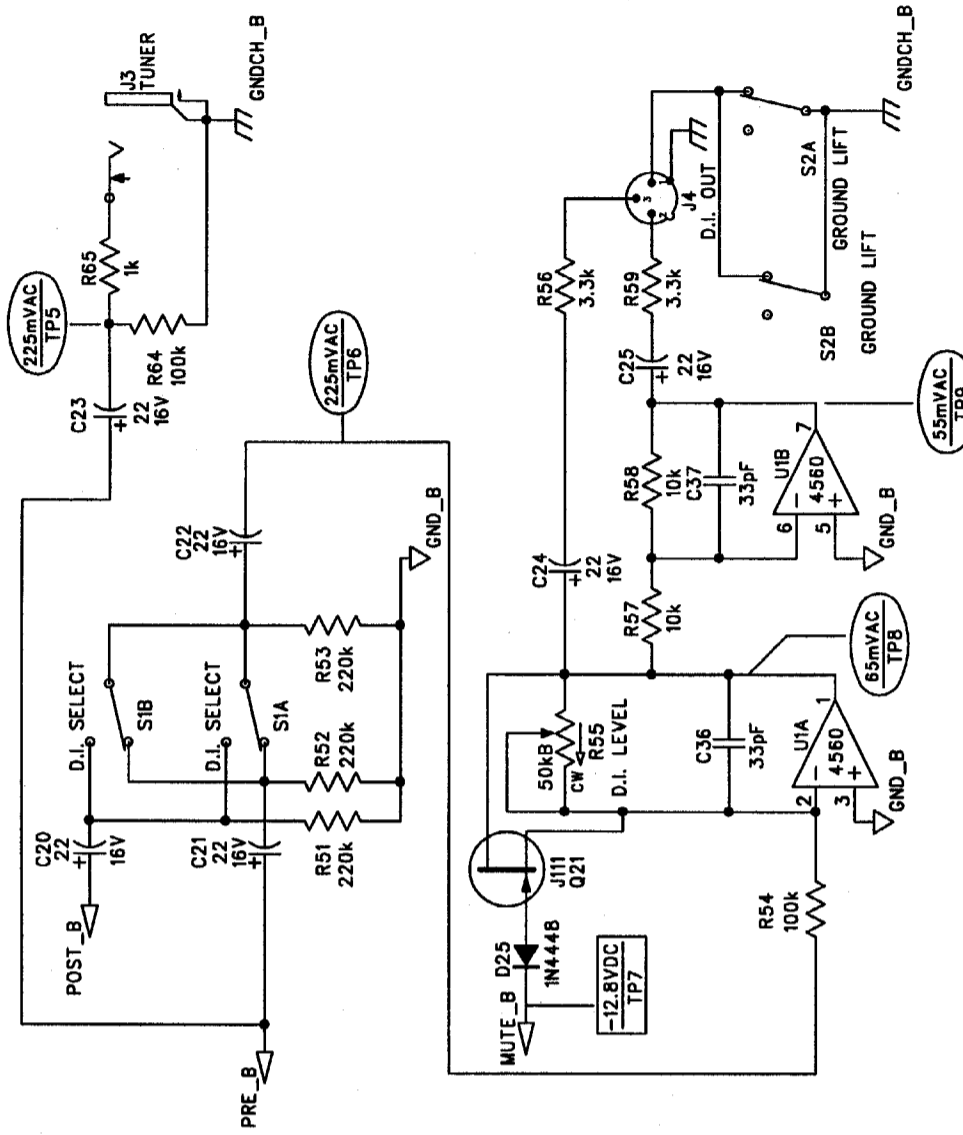
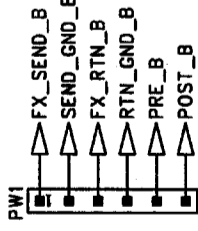
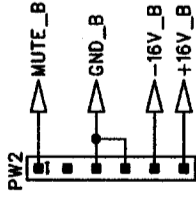
MUSICAL INSTRUMENTS  
 Corona, CA U. S. A.

TITLE: SERVICE DIAGRAM, COMBINED (PCB assy)  
 BASSMAN 200  
 POWER AMP

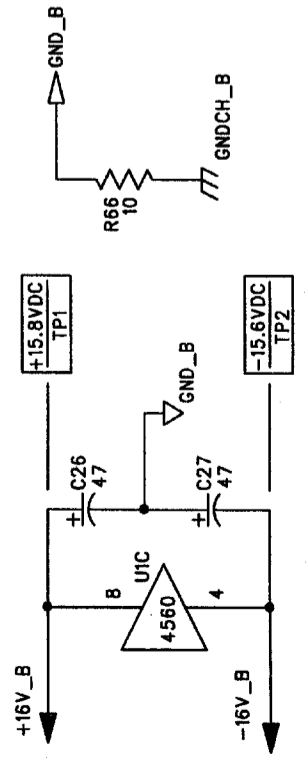
SIZE: C DRAWING NUMBER: 0055793000 REV. C  
 RELEASE DATE: 17-JAN-00 SHEET 2 OF 2

REVISIONS

REV.	DESCRIPTION	DATE	APPROVED
A	PR419	17-JAN-00	R B H



- 7. LAST INSTANCES: C37, D25, J4, PW2, Q21, R66, S1, U1
- 6. AC AND DC MEASUREMENTS READ TO GROUND WITH A DVM UNDER THE FOLLOWING CONDITIONS:  
 UNIT IS POWERED AT RATED LINE VOLTAGE AND FREQUENCY  
 PREAMP PCB ASSY SHOULD BE SET UP PER ITS SERVICE DIAGRAM (P/N 0055800000)  
 R55 SET AT 50%  
 REAR PANEL SWITCHES OUT
- 5. PW1 AND PW2 CONNECT TO P1 AND P2 ON PREAMP PCB ASSY (P/N 0055799000)
- 4. THIS SCHEMATIC IS FOR PCB FABRICATION P/N 0056475000 AND PCB ASSEMBLY P/N 0056474000.
- 3. ALL POLARIZED CAPACITORS IN  $\mu$ F, 20%; 50V MINIMUM.
- 2. ALL UNPOLARIZED CAPACITORS IN  $\mu$ F, 10% OR BETTER; 50V MINIMUM. (POWER SUPPLY BYPASS CAPACITORS ARE 20%).
- 1. ALL RESISTORS IN OHMS, 5%; 1/4W.



THIS DOCUMENT CONTAINS INFORMATION OF A PROPRIETARY NATURE TO FENDER MUSICAL INSTRUMENTS AND IS SUBMITTED TO YOU IN CONFIDENCE AND SHALL NOT BE DISCLOSED OR TRANSMITTED TO OTHERS WITHOUT AUTHORIZATION FROM FENDER MUSICAL INSTRUMENTS.

CHECKED BY: *[Signature]*  
 DATE: 19-JAN-00  
 APPROVED BY: *[Signature]*  
 DATE: 19-JAN-00  
 DRAWN: R. HAACK  
 ENGR: R. HAACK  
 DATABASE FILE: Z419S3.SCH

**Fender** MUSICAL INSTRUMENTS  
 2621 Research Drive  
 Corona, CA 91720 USA

TITLE: SERVICE DIAGRAM, COMBINED (schematic)  
 BASSMAN 200  
 REAR PANEL PCB

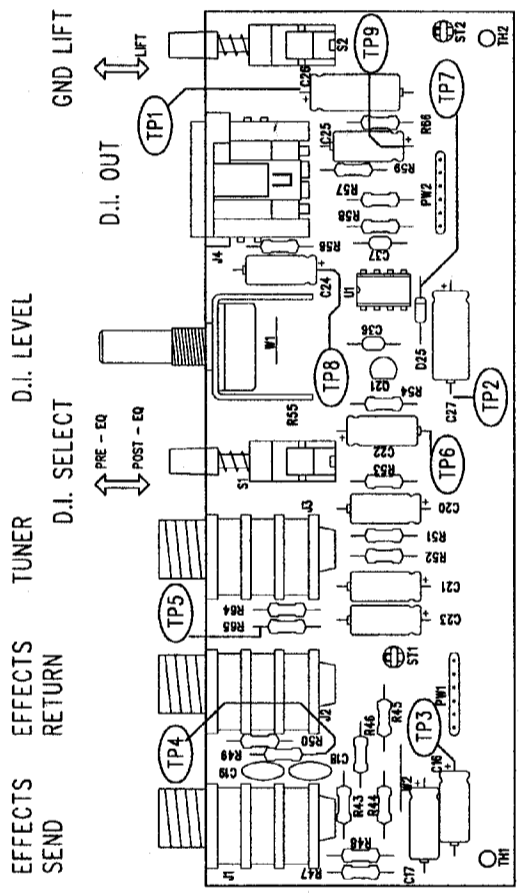
SIZE: **B** DRAWING NUMBER: **0056473000** REV. **A**

RELEASE DATE: 17-JAN-00 SHEET: 1 OF 2

8 7 6 5 4 3 2 1

D C B A

REVISIONS		
REV.	DESCRIPTION	DATE
A	PR419	17-JAN-00
		APPROVED
		R B H



FLM/DWG: SERVICE DIAGRAM  
 DATABASE: Z419P3.PCB DATE: 17-JAN-00

**Fender**  
 MUSICAL INSTRUMENTS  
 2621 Research Drive  
 Corona, CA 91720 USA

THIS DOCUMENT CONTAINS INFORMATION OF A PROPRIETARY NATURE TO FENDER MUSICAL INSTRUMENTS AND IS SUBMITTED TO YOU IN CONFIDENCE AND SHALL NOT BE DISCLOSED OR TRANSMITTED TO OTHERS WITHOUT AUTHORIZATION FROM FENDER MUSICAL INSTRUMENTS.

CHECKED BY: *BIRM*  
 DATE: 19-JAN-00  
 APPROVED BY: *[Signature]*  
 DATE: 19-JAN-00  
 DRAWN: R. HAACK ENGR: R. HAACK  
 DATABASE FILE: Z419P3.PCB

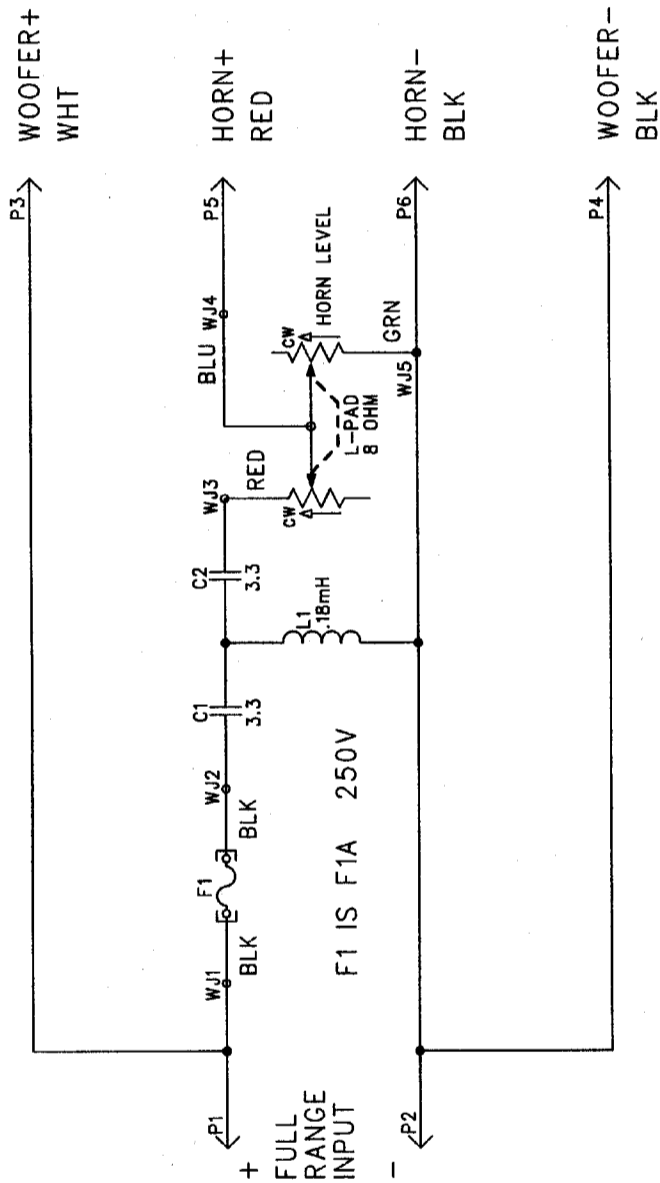
TITLE: SERVICE DIAGRAM, COMBINED (PCB Assy)  
 BASSMAN 200  
 REAR PCB

SIZE: C DRAWING NUMBER: 0056473000 REV. A  
 RELEASE DATE: 17-JAN-00 SHEET 2 OF 2

2. RIBBON CABLES AT PW1 AND PW2 CONNECT TO PREAMP PCB ASSY (P1, P2 RESPECTIVELY)
1. SEE SHEET 1 FOR PRIMARY WIRING, TEST CONDITIONS, AND TEST POINT VALUES
- NOTES: (UNLESS OTHERWISE NOTED)

R E V I S I O N S

REV.	DESCRIPTION	DATE	APPROVED
A	PR412	23-AUG-99	dBL



THIS DOCUMENT CONTAINS INFORMATION OF A PROPRIETARY NATURE TO FENDER MUSICAL INSTRUMENTS AND IS SUBMITTED TO YOU IN CONFIDENCE AND SHALL NOT BE DISCLOSED OR TRANSMITTED TO OTHERS WITHOUT AUTHORIZATION FROM FENDER MUSICAL INSTRUMENTS.

CHECKED BY: blm  
 DATE: 01-SEP-99  
 APPROVED BY: dbl  
 DATE: 9/1/99  
 DRAWN: D. LEWIS    ENGR: D. LEWIS  
 DATABASE FILE: Z412S3.SCH

**Fender** MUSICAL INSTRUMENTS  
 2621 Research Drive  
 Corona, CA 91720 USA

TITLE: SERVICE DIAGRAM, COMBINED (schematic)  
 BASSMAN AMPLIFIERS  
 CROSSOVER

SIZE: B    DRAWING NUMBER: 0055945000    REV. A  
 RELEASE DATE: 25-AUG-99    SHEET: 1 OF 1

2. THIS SCHEMATIC IS FOR PCB FABRICATION P/N 0055804000 AND PCB ASSEMBLY P/N 0055803000.  
 1. ALL UNPOLARIZED CAPACITORS IN  $\mu$ F, 10% OR BETTER; 100V MINIMUM.

NOTES: (UNLESS OTHERWISE NOTED)