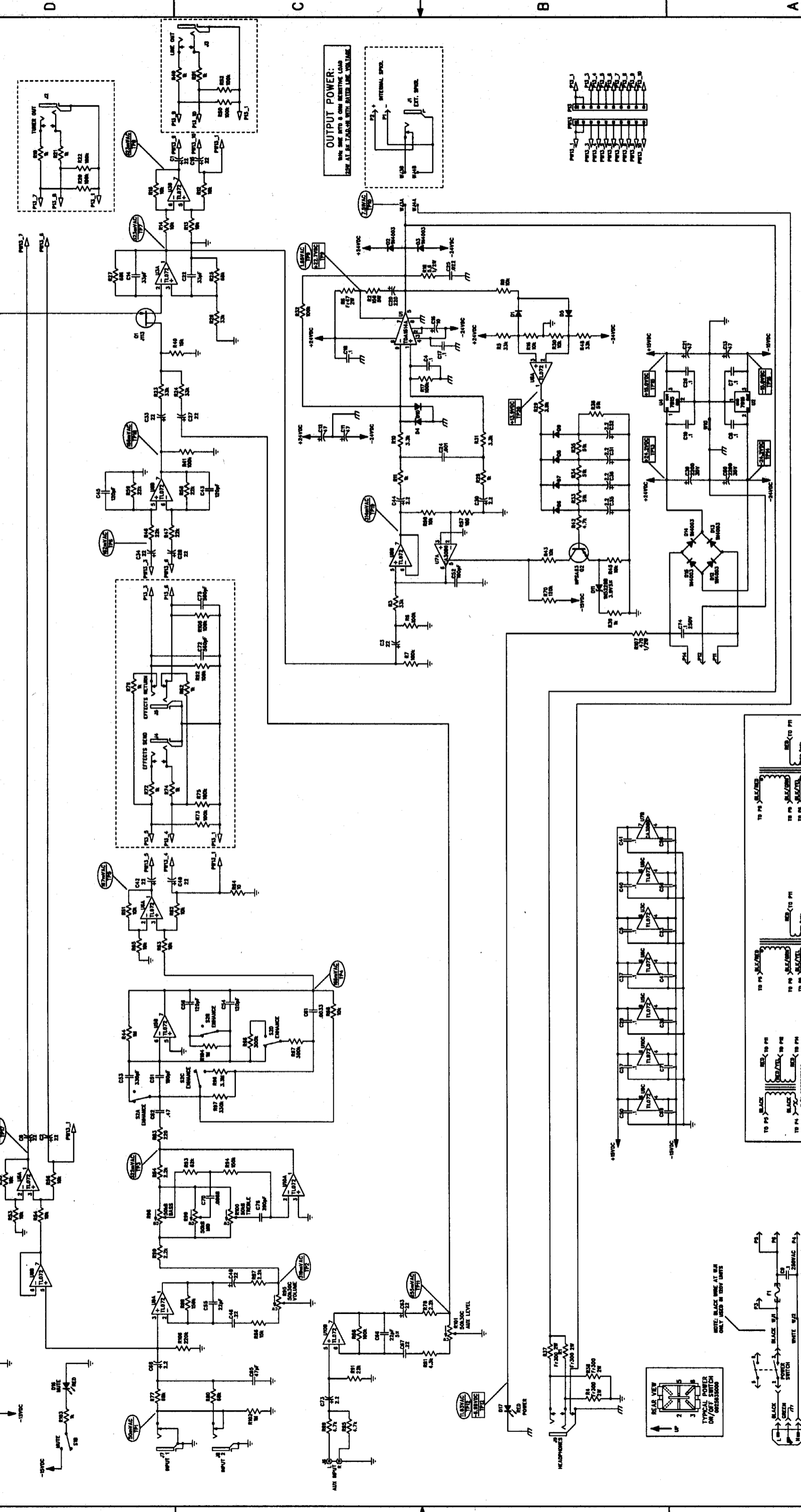


REV.	DESCRIPTION	DATE	APPROVED
A	PR422	30-JUL-99	R B H
B	EC 2360	15-OCT-99	R B H
C	EC 2454	28-FEB-00	R B H



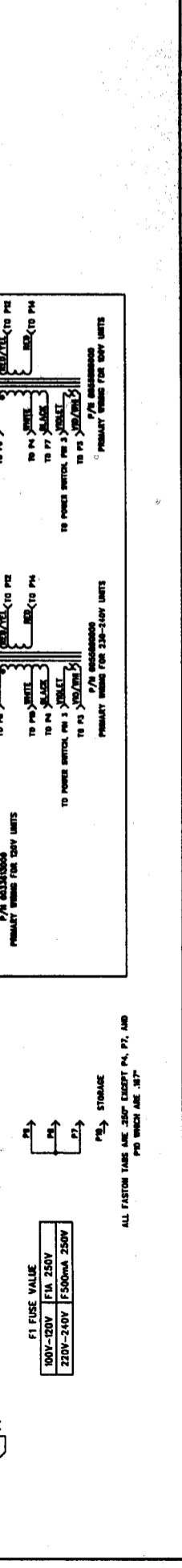
MUSICAL INSTRUMENTS
 2621 Research Drive
 Corona, CA U. S. A.

TITLE: SERVICE DIAGRAM COMBINED (continued)
 BASSMAN 25

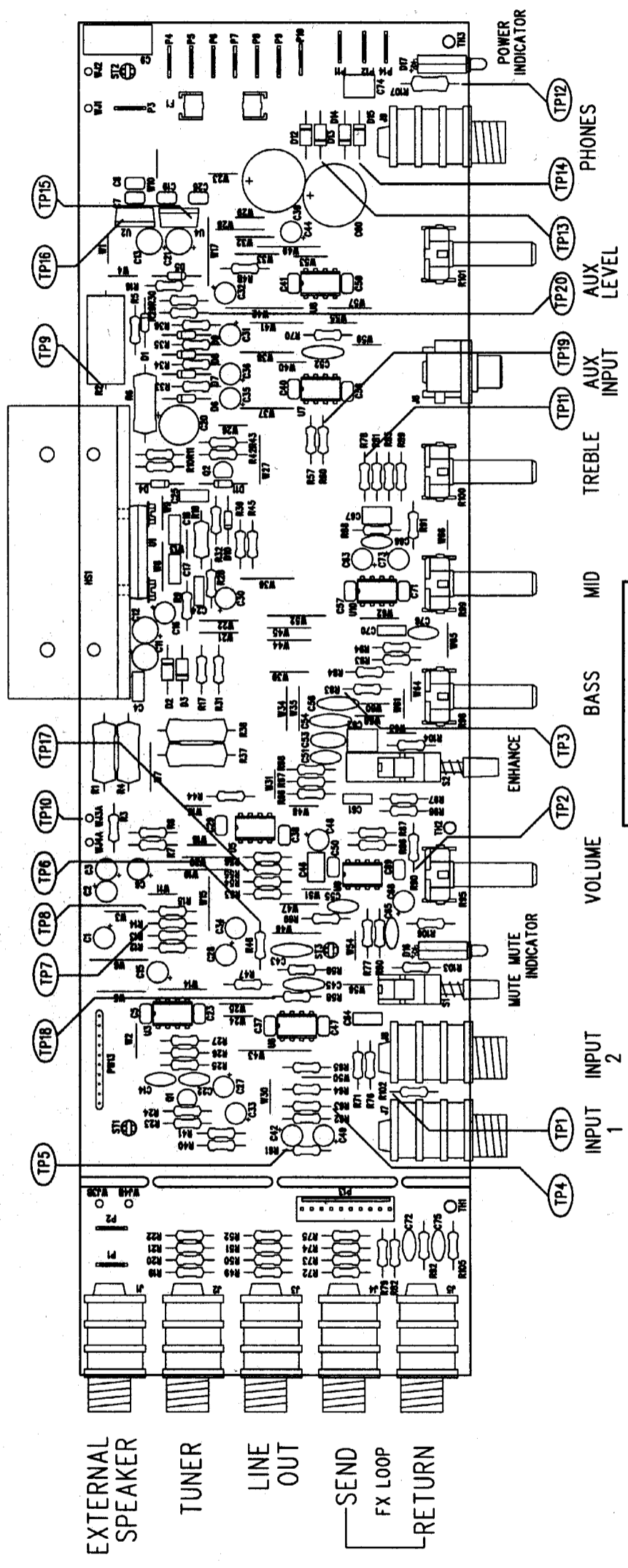
DATE: 10-1-99
 APPROVED BY: [Signature]
 CHECKED BY: [Signature]
 DATE: 10-1-99
 DRAWING NUMBER: D 0055621000
 SIZE: C
 RELEASE DATE: 30-JUL-99
 SHEET: 1 OF 2

THE SCHEMATIC CONTAINS INFORMATION OF THE INSTRUMENTS AND IS INTENDED TO BE USED BY THE USER FOR REPAIR AND MAINTENANCE. IT IS NOT TO BE USED FOR THE REPAIR OF OTHER INSTRUMENTS. THE USER IS RESPONSIBLE FOR THE PROPER USE OF THE INSTRUMENTS AND FOR THE PROPER MAINTENANCE OF THE INSTRUMENTS.

NOTES: (UNLESS OTHERWISE NOTED)
 1. ALL RESISTORS ARE IN OHMS UNLESS OTHERWISE NOTED.
 2. ALL CAPACITORS ARE IN P.F. UNLESS OTHERWISE NOTED.
 3. ALL DIMENSIONS ARE IN INCHES UNLESS OTHERWISE NOTED.
 4. ALL DIMENSIONS ARE IN INCHES UNLESS OTHERWISE NOTED.
 5. ALL DIMENSIONS ARE IN INCHES UNLESS OTHERWISE NOTED.



REVISIONS			
REV.	DESCRIPTION	DATE	APPROVED
A	PR422	30-JUL-99	R.B.H.
B	EC 2360	13-OCT-99	R.B.H.
C	EC 2454	28-FEB-00	R.B.H.



FILE/DIR: SERVICE DIAGRAM
 DATABASE: 7422P.PCB DATE: 28-FEB-00

MUSICAL INSTRUMENTS
 2621 Research Drive
 Corona, CA U. S. A.

TITLE: SERVICE DIAGRAM, COMBINED (PCB assy)
 BASSMAN 25

CHECKED BY: *[Signature]*
 DATE: 10-APR-00

APPROVED BY: *[Signature]*
 DATE: 10-APR-00

DRAWN: A. BASSMAN
 ENGR: S. WALKER
 DATABASE FILE: 7422P.PCB

SIZE: C
 DRAWING NUMBER: 0055621000
 RELEASE DATE: 30-JUL-99
 SHEET 2 OF 2

THIS DOCUMENT CONTAINS INFORMATION OF A PROPRIETARY NATURE TO FENDER MUSICAL INSTRUMENTS AND IS LOANED TO YOU IN CONFIDENCE AND SHALL NOT BE REPRODUCED OR TRANSMITTED TO OTHERS WITHOUT APPROVAL FROM FENDER MUSICAL INSTRUMENTS.

1. SEE SHEET 1 FOR PRIMARY WIRING, TEST CONDITIONS AND TESTPOINT VALUES.
 NOTES: (UNLESS OTHERWISE NOTED)

8 7 6 5 4 3 2 1

D C B A